

ACH 125

ACH 125

Fly the legend

Built for performance, created for lively, exhilarating flights, the ACH125 is a member of the Ecureuil family — the world's favorite turbine helicopter.

Higher
Farther
Greater



The ACH125 outclasses all other single-engine helicopters for performance, versatility and safety, excelling in hot and high and extreme environments.



A few have stood here.
Only one has landed.

The ACH125 broke the record for the highest-altitude landing and take-off performed on the Mount Everest — Himalaya at 8,848 meters (29,029 feet) — a title still held today.





Make your highest
ambitions soar.





Bank away from land,
bound for distant peaks or isles.
Begin the weekend in exquisite style.





Soar free from traffic jams below.

An emergency meeting, tight schedules.

The ACH125 has the power and speed to get you there with time to spare.



Keep a secret.

Get appreciated for choosing the very best.

Proven technology, authentic style, performance and reliability.



Sporty
and stylish



Stylence® by ACH

A fresh and dynamic ambience created from an attractively designed cabin that feels right.

From embossed leather, smooth treatment and finishing, everything receives special attention.

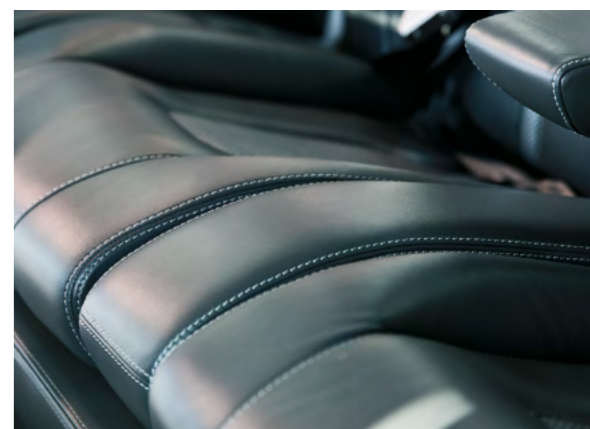


Upholstery made of the finest leather,
trimmed with precision and hand sewn with care
by experienced craftsmen.



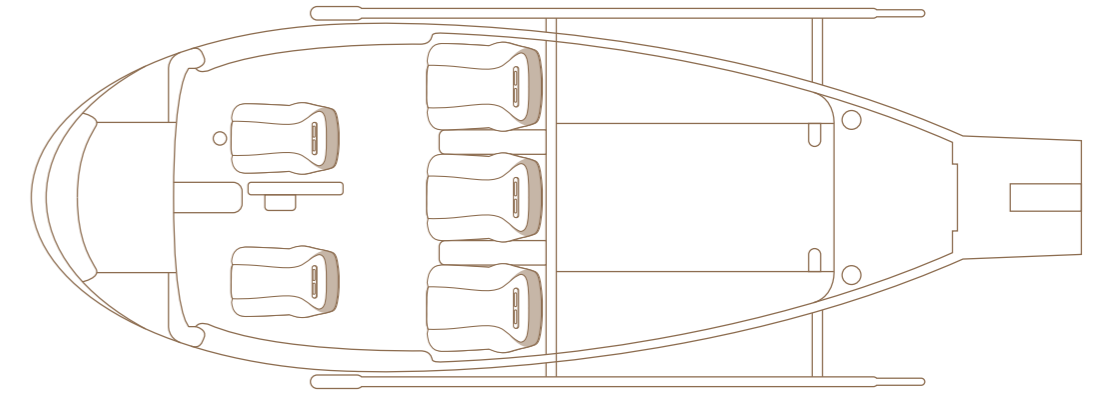
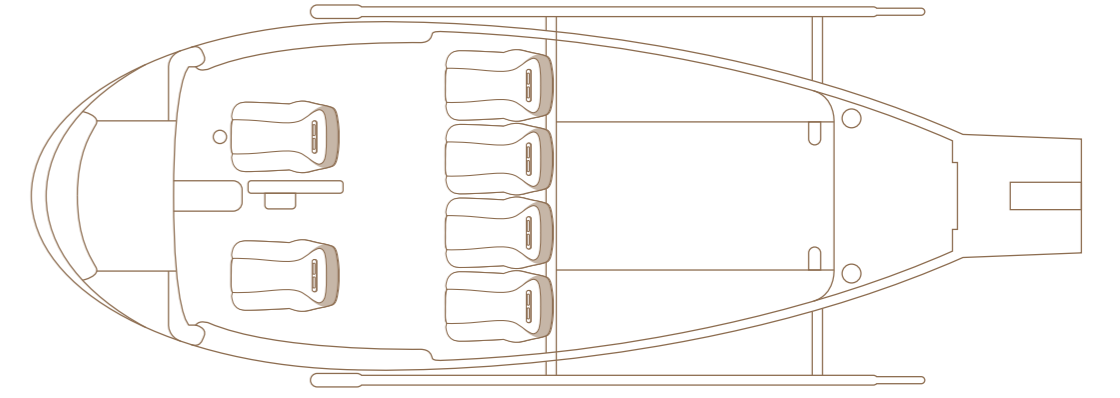


Share a
luxurious journey.
Five comfortable
forward facing seats
let you indulge.



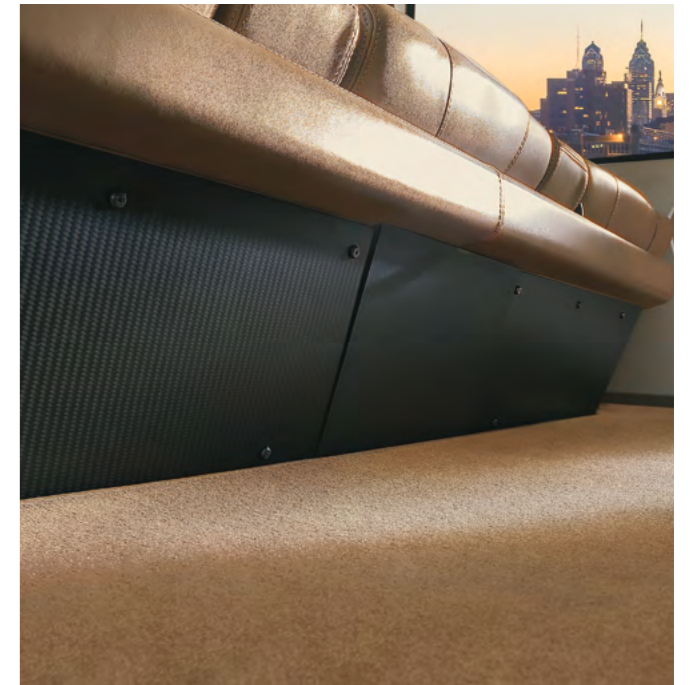


Astonishing performance
and space give passengers
a thrilling ride.





Give your helicopter
an exclusive look. Let it shine
with exceptional character
and unmistakable personality.



Tailored
for you



Create your
own vision.

The ACH125 experience
is yours to design.



Making the best even better

Start where others stop.

Proven reliability, tailored support, and performance to spare — all wrapped up in one light package.

The ACH125 offers reduced pilot workload and enhanced avionics.

The legend has reached more than 30 million flight hours. The success story continues.







Up to five
passengers

Maximum endurance:

4 h 57 min

Maximum cruise speed:

143 kts





Get an advantage on every aspect of ownership,
from its versatility to its value retention.

Important to you, essential to us

Find your nearest customer centre.

Every ACH helicopter is unique. As unique as each of our customers. Distinct, with superlative standards.

We feel a great responsibility towards our customers. After all, striving for helicopter perfection also includes striving for perfect service.



Download our app
to discover our
helicopters in 3D



AIRBUS

©AIRBUS HELICOPTERS

Aéroport International Marseille Provence

13725 Marignane Cedex - France

All rights reserved, Airbus logo and Airbus Helicopters products and services names are registered trademarks.

Concept Design by Airbus Multi Media Support 20240598.
Photos by Airbus, Airbus Helicopters, Lorette Fabre, Camille Moirenc, Anthony Pecchi, Patrick Penna, Rupert Piece, Eric Raz, Thierry Rostang, Zsuzsanna P. Wagenhoffer, Shutterstock.

Printed in France by Art & Caractère. April 2024.

Confidential and proprietary document. This document and all information contained herein is the sole property of AIRBUS S.A.S. No intellectual property rights are granted by the delivery of this document or the disclosure of its content. This document shall not be reproduced or disclosed to a third party without the express written consent of AIRBUS S.A.S.

This document and its content shall not be used for any purpose other than that for which it is supplied. The statements made herein do not constitute an offer. They are based on the mentioned assumptions and are expressed in good faith. Where the supporting grounds for these statements are not shown, AIRBUS S.A.S. will be pleased to explain the basis thereof.

This brochure is printed on Symbol Tatami.

This paper is produced in factories that are certified ISO 9001-14001, FSC CW and FSC CoC. It is produced using pulp that has been whitened without either chlorine or acid. The paper is entirely recyclable and is produced from trees grown in sustainable forest resources.

The printing inks use organic pigments or minerals. There is no use of basic dyes or dangerous metals from the cadmium, lead, mercury or hexavalent chromium group.

The printer, Art & Caractère (France 81500), is engaged in a waste management and recycling programme for all resulting by-products.



