

Shipping Category B Specimens

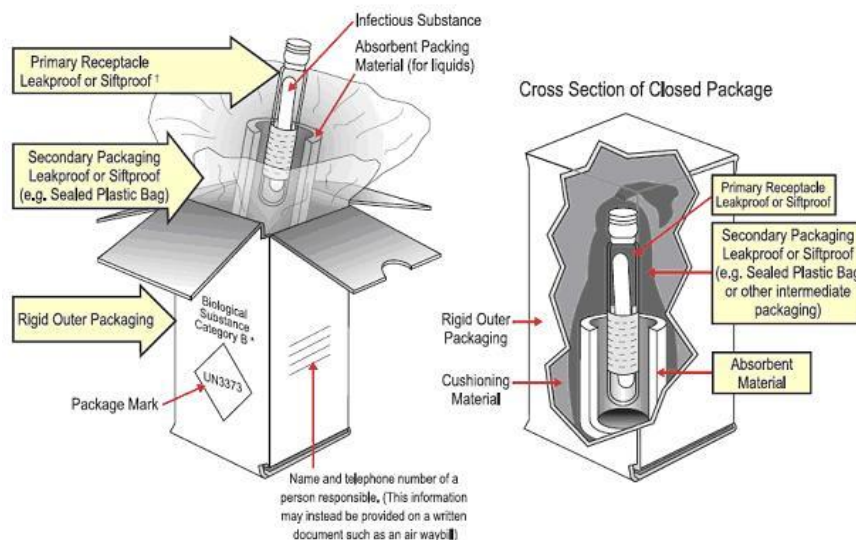
Follow the most current IATA or DOT classification requirements for classifying specimens as Category A, B, or Exempt. Reference the following checklists for guidance in category B packaging. These checklists are not intended to be a sole resource when preparing shipments and persons performing shipping and packaging of infectious substances must have received training appropriate to the level of the task. If elements in these checklists are missing for any package containing a B specimen, the package is improperly prepared according to WAPHL requirements and may be in violation of federal regulations. Packages that do not meet requirements may be rejected for testing.

Triple Packaging System for Diagnostic Specimens:

1. Primary containers must be watertight for liquid specimens. Individual containers must be wrapped or separated in a way that prevents potential damage. Absorbent material, preferably cellulose wadding, should be located between the primary and secondary containers. Urine containers are discouraged for the transport of liquid specimens; please remove liquid specimens to a labeled conical tube for transport. Screw-top, snap-on, and push-on lids should be sealed with paraffin laboratory tape such as Parafilm™.
2. Secondary container must be watertight, but is not required to be rigid. A sealed plastic bag is acceptable.
3. Outer packaging must be rigid and constructed of sturdy fiberboard, plastic, or other solid material.

Category B Packaging and Labelling (IATA Packing Instruction 650)

Image source: Transporting Infectious Substances Safely, Guide to Changes. US Department of Transportation Pipeline and Hazardous Materials Safety Administration



* The proper shipping names "Biological Substance, Category B"; "Clinical Specimen"; and "Diagnostic Specimen" are authorized until December 31, 2006. From January 1, 2007 only the proper shipping name "Biological Substance, Category B" will be authorized.

† If multiple fragile primary receptacles are placed in a single secondary packaging they must be either individually wrapped or separated to prevent contact

Note: Follow package manufacturer's closure instructions

Category B Checklist

- | | |
|-----------------------------------------------------------------------------------------------------------------------------------------------------------------------------------------------------------------------------------------------------------------------------------------------------------------------------------------------------------------------------------------------------------------------------------------------------------------------------------------------------------------------------------------------------------------------------------------------------------------------------------------------------------------------------------------------------------------------------------------------------------------------------------------------------------------------------------------------------------------------------------------------------------------------------------------------------------------------------------------------------------------------------------|---------------------------------------------------------------------------------------------------------------------------------------------------------------------------------------------------------------------------------------------------------------------------------------------------------------------------------------------------------------------------------------------------------------------------------------------------------------------------------------------------------------------------------------------------------------------------------------------------------------------------------------------------------------------------------------------------------------------------------------------------------------------------------------------------------------------------------------------------------------------|
| <ul style="list-style-type: none"><input type="checkbox"/> Packaging and documents are prepared by a person with awareness of category B shipping requirements<input type="checkbox"/> Triple packaging system is employed with primary specimen container, secondary packaging, and outer packaging according to IATA and DOT requirements<input type="checkbox"/> Primary container sealed (with Parafilm™ or heat-shrink wrap, or other sealant) such that it is guaranteed not to leak and the cap cannot loosen<input type="checkbox"/> Primary container is accompanied by cushioning material and cellulose absorbent<input type="checkbox"/> Secondary container pressure-resistant to 95kPa<input type="checkbox"/> Contents are listed on requisition or sample submission form or otherwise listed outside of secondary packaging<input type="checkbox"/> Secondary packaging is secure inside outer packaging, with extra cushioning if necessary | <ul style="list-style-type: none"><input type="checkbox"/> Paperwork is protected from condensation from chemical ice packs, if used<input type="checkbox"/> If dry ice is used, proper dry ice shipping protocols have been referenced and followed<input type="checkbox"/> Outer packaging is rigid and in good condition<input type="checkbox"/> UN3373 hazard diamond and “Biological Substance, Category B” labels are present on outer package and not touching the edge of any side<input type="checkbox"/> Responsible person name, address, phone number are listed on outer packaging<input type="checkbox"/> Consignee and Shipper name, address, and telephone number are listed on outer packaging<input type="checkbox"/> All old or non-applicable labels are removed or covered |
|-----------------------------------------------------------------------------------------------------------------------------------------------------------------------------------------------------------------------------------------------------------------------------------------------------------------------------------------------------------------------------------------------------------------------------------------------------------------------------------------------------------------------------------------------------------------------------------------------------------------------------------------------------------------------------------------------------------------------------------------------------------------------------------------------------------------------------------------------------------------------------------------------------------------------------------------------------------------------------------------------------------------------------------|---------------------------------------------------------------------------------------------------------------------------------------------------------------------------------------------------------------------------------------------------------------------------------------------------------------------------------------------------------------------------------------------------------------------------------------------------------------------------------------------------------------------------------------------------------------------------------------------------------------------------------------------------------------------------------------------------------------------------------------------------------------------------------------------------------------------------------------------------------------------|