

UNITED STATES
DEPARTMENT OF
COMMERCE
PUBLICATION



NOAA Technical Memorandum NWSTM WR 62

U.S. DEPARTMENT OF COMMERCE

NATIONAL OCEANIC AND ATMOSPHERIC ADMINISTRATION

National Weather Service

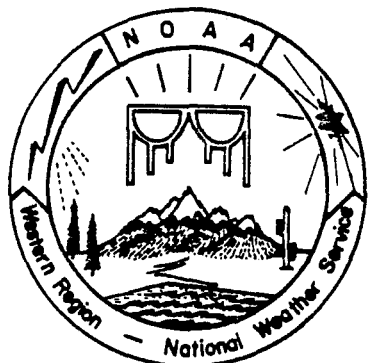
Forecasting the Catalina Eddy

ARTHUR L. EICHELBERGER

Western Region

SALT LAKE CITY,
UTAH

February 1971



WESTERN REGION TECHNICAL MEMORANDA

The Technical Memorandum series provide an informal medium for the documentation and quick dissemination of results not appropriate, or not yet ready, for formal publication in the standard journals. The series are used to report on work in progress, to describe technical procedures and practices, or to report to a limited audience. These Technical Memoranda will report on investigation devoted primarily to Regional and local problems of interest mainly to Western Region personnel, and hence will not be widely distributed.

These Memoranda are available from the Western Region Headquarters at the following address: National Weather Service Western Region Headquarters, Attention SSD, P. O. Box 11188, Federal Building, Salt Lake City, Utah 84111.

The Western Region subseries of NOAA Technical Memoranda, No. 5 (revised edition), No. 10 and all others beginning with No. 24, are available also from the National Technical Information Service, U. S. Department of Commerce, Sills Building, Port Royal Road, Springfield, Va. 22151. Price: \$3.00 paper copy; \$0.65 microfiche. Order by accession number shown in parentheses at end of each entry.

Western Region Technical Memoranda:

- No. 1* Some Notes on Probability Forecasting. Edward D. Diemer. September 1965.
- No. 2 Climatological Precipitation Probabilities. Compiled by Lucianne Miller. December 1965.
- No. 3 Western Region Pre- and Post-FP-3 Program. Edward D. Diemer. March 1966.
- No. 4 Use of Meteorological Satellite Data. March 1966.
- No. 5** Station Description of Local Effects on Synoptic Weather Patterns. Philip Williams, Jr. October 1969 (Revised). (PB-178 000)
- No. 6 Improvement of Forecast Wording and Format. C. L. Glenn. May 1966.
- No. 7 Final Report on Precipitation Probability Test Programs. Edward D. Diemer. May 1966.
- No. 8* Interpreting the RAREP. Herbert P. Benner. May 1966. (Revised January 1967.)
- No. 9 A Collection of Papers Related to the 1966 NMC Primitive-Equation Model. June 1966.
- No. 10* Sonic Boom. Loren Crow (6th Weather Wing, USAF, Pamphlet). June 1966. (AD-479 366)
- No. 11 Some Electrical Processes in the Atmosphere. J. Latham. June 1966.
- No. 12* A Comparison of Fog Incidence at Missoula, Montana, with Surrounding Locations. Richard A. Dightman. August 1966.
- No. 13* A Collection of Technical Attachments on the 1966 NMC Primitive-Equation Model. Leonard W. Snellman. August 1966.
- No. 14 Application of Net Radiometer Measurements to Short-Range Fog and Stratus Forecasting at Los Angeles. Frederick Thomas. September 1966.
- No. 15 The Use of the Mean as an Estimate of "Normal" Precipitation in an Arid Region. Paul C. Kangleser. November 1966.
- No. 16 Some Notes on Acclimatization in Man. Edited by Leonard W. Snellman. November 1966.
- No. 17 A Digitalized Summary of Radar Echoes Within 100 Miles of Sacramento, California.
- No. 18 Limitations of Selected Meteorological Data. December 1966.
- No. 19* A Grid Method for Estimating Precipitation Amounts by Using the WSR-57 Radar. R. Granger. December 1966.
- No. 20* Transmitting Radar Echo Locations to Local Fire Control Agencies for Lightning Fire Detection. Robert R. Peterson. March 1967.
- No. 21 An Objective Aid for Forecasting the End of East Winds in the Columbia Gorge. D. John Coparanis. April 1967.
- No. 22 Derivation of Radar Horizons in Mountainous Terrain. Roger C. Pappas. April 1967.
- No. 23 "K" Chart Application to Thunderstorm Forecasts Over the Western United States. Richard E. Hambidge. May 1967.
- No. 24 Historical and Climatological Study of Grinnell Glacier, Montana. Richard A. Dightman. July 1967. (PB-178 071)
- No. 25 Verification of Operational Probability of Precipitation Forecasts, April 1966-March 1967. W. W. Dickey. October 1967. (PB-176 240)
- No. 26 A Study of Winds in the Lake Mead Recreation Area. R. P. Augulis. January 1958. (PB-177 830)
- No. 27 Objective Minimum Temperature Forecasting for Helena, Montana. D. E. Olsen. Feb. 1968. (PB-177 827)
- No. 28** Weather Extremes. R. J. Schmidl. April 1968. (PB-178 928)
- No. 29 Small-Scale Analysis and Prediction. Philip Williams, Jr. May 1968. (PB-178 425)
- No. 30 Numerical Weather Prediction and Synoptic Meteorology. Capt. Thomas D. Murphy, U.S.A.F. May 1968. (AD-673 365)

* Out of Print

** Revised



A western Indian symbol for rain. It also symbolizes man's dependence on weather and environment in the West.

U. S. DEPARTMENT OF COMMERCE
NATIONAL OCEANIC AND ATMOSPHERIC ADMINISTRATION
NATIONAL WEATHER SERVICE

NOAA Technical Memorandum NWSTM WR-62

FORECASTING THE CATALINA EDDY

Arthur L. Eichelberger
Weather Service Forecast Office
Los Angeles, California



WESTERN REGION
TECHNICAL MEMORANDUM NO. 62

SALT LAKE CITY, UTAH
FEBRUARY 1971

TABLE OF CONTENTS

	<u>Page</u>
List of Figures and Tables	iii
Abstract	i
I. Introduction	1-2
II. Development of the Objective Forecast Aid	2-4
III. Test of the Forecast Aid	4-5
IV. Discussion	5-6
V. Acknowledgments	6
VI. References	6-7

LIST OF FIGURES AND TABLES

		<u>Page</u>
Figure 1.	ESSA 6 Photo for 1728Z, May 27, 1968	8
Figure 2.	ESSA 2 Photo for 1522Z, May 28, 1968	9
Figure 3.	ESSA 6 Photo for 1812Z, May 28, 1968	10
Figure 4.	ESSA 6 Photo for 1717Z, May 29, 1968	11
Figure 5.	Map of the Los Angeles Area	12
Figure 6.	Occurrences of Catalina Eddies as a Function of Sea-Level Pressure Gradient (35N 125W - LAX) and Vorticity at LAX. Dependent Data.	13
Figure 7.	Occurrences of Catalina Eddies as a Function of Sea-Level Pressure Gradient (35N 125W - LAX) and Vorticity at LAX. Independent Data.	14
Figure 8.	Graph for Forecasting Catalina Eddies as a Function of Sea-Level Pressure Gradient (ΔP) and Vorticity at LAX.	15
Table 1.	Verification of Catalina Eddy Forecasts Made from Dependent Data.	3
Table 2.	Verification of Catalina Eddy Forecasts Made from Independent Data.	4
Table 3.	Verification of Catalina Eddy Forecasts Based on NMC Prognostic Charts.	5

FORECASTING THE CATALINA EDDY

ABSTRACT

The Catalina Eddy, a small-scale vortex in the bight of southern California, has long been a serious problem for the forecaster. It disrupts the normal stratus pattern and can cause marked cooling in the southern California coastal area. The eddy is shown to result when an eastward-moving upper trough nears southern California, with strong northerly surface winds prevailing along the California coast.

An objective aid for predicting the eddy is presented. It was found that with a surface pressure gradient of five to ten millibars from 35N 125W to Los Angeles, positive vorticity advection resulting in vorticity values of seven to ten units (10^{-5} Sec^{-1}) at Los Angeles will generate the eddy.

Primitive equation prognostic vorticity charts are shown to be highly useful in forecasting development of the Catalina Eddy.

I. INTRODUCTION

The Catalina Eddy is a small-scale vortex in the marine layer generated in the bight of southern California. The eddy derives its name from the fact that the circulation center is usually located just southwest of Catalina Island.

On May 27 - 29, 1968, ESSA 2 and ESSA 6 weather satellites recorded a remarkable series of pictures of the life cycle of a Catalina Eddy. This series of photographs (Figures 1 - 4) is reproduced along with captions by Mr. Jay Rosenthal (1).

The Catalina Eddy's cyclonic circulation, as opposed to the normal westerly sea breeze, has a profound effect on the stratus pattern over the Los Angeles basin and nearby valleys. See Figure 5 for map of the basin and station locations.

With the normal westerly sea breeze, stratus ceilings in the Los Angeles basin are reported first by Los Angeles International Airport (LAX), followed in an hour or two by Long Beach (LGB). Then, if the marine layer is deep enough, stratus will be reported in the following two or three hours by Burbank (BUR) and Ontario (ONT).

When an eddy is developing, stratus will spread from the San Diego area northward into the southern portions of the basin, reaching LGB within an hour of the first report at Orange County Airport (SNA). The cloud layer usually reaches LAX and BUR nearly simultaneously an hour later and will frequently spread inland to ONT in an additional three hours. Continued expansion brings the cloud mass to Santa Barbara 85 miles northwest of LAX, blanketing all of the southern California coastal area. Visibility improves rapidly as the stagnant air mass which usually precedes the eddy is dispersed.

If the eddy is strong, the marine layer will deepen rapidly, obscuring coastal approaches to mountain passes around the basin and blanketing the entire basin with stratus within six hours of the time ceilings are first reported at SNA.

Effects of temperature depend largely on conditions preceding advent of the eddy. The average drop in maximum temperature at Los Angeles Civic Center from the day prior to eddy formation to the first day of the eddy, was two degrees for 55 eddies in the months of May through September. Drops of as much as 12 degrees were noted when the eddy followed a day with a very low inversion or no inversion. This effect is more pronounced over the higher coastal valleys. The average temperature drop was three degrees at March Air Force Base located at the 1500-foot level near Riverside. A drop of 15 degrees was noted at March AFB on one occasion. Clearly, the onset of a vigorous eddy will cause serious errors in forecasts predicated on no-eddy conditions.

Prior to development of the forecast system presented in this paper, no objective method of predicting the onset of the Catalina Eddy was available. Common practice at the Los Angeles Forecast Office was to wait until the eddy was evident before incorporating eddy effects into forecasts. The objective system described here is currently in use at the Los Angeles Forecast Office.

11. DEVELOPMENT OF THE OBJECTIVE FORECAST AID

Southerly winds at San Diego are so characteristically associated with the eddy that Meyer (2) defined the existence of the Catalina Eddy as: Surface wind at San Diego south-southeast through south-southwest five mph or more for at least four record observations between the hours of 1500 and 0300 PST. This association of the south wind at San Diego with the eddy was also demonstrated by Graham (3). The normal wind at San Diego in summer during these hours is slightly west of north.

It was determined that the necessary and sufficient conditions for eddy formation are the presence of strong northerly winds off the coast of California and positive vorticity advection (PVA) into the southern California coastal area. In this study, the north winds

were measured by the sea level pressure gradient (ΔP) at 35N 125W minus LAX. Vorticity values at LAX were taken from the initial analysis on the 500-millibar four-panel prognostic charts. Twenty-four months of data, March 1968 through April 1970, were used in this study. (October and November 1969 were missing.) Vorticity values were taken from barotropic charts for the period March 1968 through March 1970, as these were the only charts available. Initial vorticity analyses on the primitive equation (PE) four-panel charts were used for April 1970 and the subsequent test period.

Sea-level pressure gradients and vorticity values were plotted against occurrence or nonoccurrence of eddies in the scatter diagram shown in Figure 6.

Days with a frontal passage or 500-mb trough passage, as well as second and third days of continuing eddies, were excluded. Only days with $0 \leq \Delta P < 15$ mb and vorticity increasing in a 12-hour period to a value of at least $4 \times 10^{-5} \text{ sec}^{-1}$ are plotted on the chart. (A no-eddy forecast is assumed on other days.) Data for days with no eddies were taken at 1600 PST. For days with eddies, surface data were taken immediately prior to eddy development, with vorticity values taken at the prior upper-air observation time (0400 or 1600 PST).

A primary eddy-forecast area (inner rectangle) was delineated on the chart (Figure 6). This area contained 59 eddies and 24 no-eddy days for 71% eddy occurrence. A secondary forecast area (surrounding the inner rectangle) contained 9 eddies and 13 no-eddy days for 41% occurrence. Two eddies fell well outside the above areas.

Table I includes results for the two years of development data. An eddy was considered to have been forecast if the data fell within either the primary or secondary forecast areas outlined in Figure 6.

TABLE I

VERIFICATION OF CATALINA EDDY FORECASTS MADE FROM DEPENDENT DATA

Observed	Forecast		Totals
	Eddy	No Eddy	
Eddy	68	2	70
No Eddy	37	502	539
TOTALS	105	504	609
PERCENT CORRECT (PC)	94%	THREAT SCORE (TS)	.64
PREFIGURANCE (PF)	.97	BIAS $\frac{(\text{No. Eddies fcst})}{(\text{No. Eddies obsvd})}$	1.50
POSTAGREEMENT (PA)	.65		

It can be seen that the objective system greatly overforecast eddy occurrences.

III. TEST OF THE FORECAST AID

Observed charts (perfect progs) for the period May 1 through July 31, 1970, were used to test the forecast aid. A scatter diagram (Figure 7) was constructed using the same tests for inclusion of data as for the development data.

Thirteen eddies occurred during this period. Only one fell outside the forecast area. Verification is shown in Table 2. Note the improvement in threat score, postagreement, and bias as compared to Table 1. This improvement is attributed to the superiority of the PE vorticity analyses used in the test over barotropic analyses, which were of necessity used in development of the aid.

TABLE 2

VERIFICATION OF CATALINA EDDY FORECASTS MADE FROM INDEPENDENT DATA

Observed	Forecast		Totals
	Eddy	No Eddy	
Eddy	12	1	13
No Eddy	3	66	69
TOTALS	15	67	82
PERCENT CORRECT	95%	THREAT SCORE	.75
PREFIGURANCE	.92	BIAS	1.15
POSTAGREEMENT	.80		

To assess usefulness of the aid based on NMC prognostic charts, forecasts of conditions favorable for eddy formation were made using PE four-panel progs for the period May 1 through July 31, 1970. An eddy was forecast to develop if the progs indicated PVA of one unit or more per 12 hours, provided that ΔP and LAX vorticity fell within the larger forecast rectangle in Figure 6, and PVA was forecast to continue for at least 12 hours. ΔP was considered to remain constant at the value observed when the PE prog package became available (approximately 1140 and 2340 PST). Cases when an eddy was in existence at the initial time of the prog package were not used. Onset time of the eddy was forecast to coincide with the beginning of PVA. An eddy forecast was

considered a hit if an eddy formed within six hours of the time forecast. A no-eddy forecast was considered a miss if an eddy formed within 36 hours of the prog package initial time. Results are tabulated in Table 3:

TABLE 3
VERIFICATION OF CATALINA EDDY FORECASTS BASED ON NMC
PROGNOSTIC CHARTS

	FORECAST		TOTALS
	EDDY	NO EDDY	
OBSERVED			
EDDY	14	8	22
NO EDDY	11	92	103
TOTALS	25	100	125
PERCENT CORRECT	84%	THREAT SCORE	.42
PREFIGURANCE	.64	BIAS	1.14
POSTAGREEMENT	.51		

Note the decrease in accuracy compared to forecasts based on observed charts, Tables 1 and 2. It is encouraging to note the small bias, however.

The objective aid can be used to forecast Catalina eddies, with probabilities of occurrence in the primary and secondary areas, as shown in Figure 8. Forecast the eddy to begin at the onset of PVA at Los Angeles as indicated on P.E. four-panel prognostic charts. PVA of one unit or more per 12 hours persisting for 12 hours or more is usually required to generate an eddy.

IV. DISCUSSION

The forecaster is cautioned that, as in all weather systems, strength of the Catalina Eddy is proportional to the forces causing it. Eddies included in this study ranged from those so weak that the only effects noticeable were a few hours of south winds at San Diego to eddies so strong that the marine layer deepened from a few hundred to 5000 feet in less than 24 hours. Although an eddy can develop with pressure gradients as small as 5 mb and vorticity values as low as 6 units, higher values are required to produce vigorous eddies.

In general, eddy strength is most sensitive to the value of the maximum vorticity measured at Los Angeles during the lifetime of the eddy. However, if the vorticity reaches 13 units or more at Los Angeles and higher values prevail inland, the eddy will be swept away in a strong general onshore flow.

Strongest eddy situations are those in which a decelerating frontal trough moves into southwestern United States, accompanied by vorticity maxima of 14 units or more in southern Nevada and 12 units at Los Angeles. Under these conditions, and given the necessary strong northerly winds along the coast, explosive deepening of the marine layer can be anticipated.

If a series of short wave troughs with half wave lengths of 600 miles or less are passing through the area, the eddy, if any, will be poorly organized and short lived; and there will be insufficient time for any significant changes in southern California coastal weather.

Once formed, an eddy will persist until either frontal passage occurs, a vorticity maximum passes, the marine layer deepens to 5000 feet and spills over the coastal mountain range, or vorticity values over coastal waters increase to 13 units or more and a general onshore flow ensues.

Eddies occur during the entire year but are primarily a warm season phenomenon. Fifty-five of the 70 eddies included in the dependent data sample developed in the months of May through September. This is to be expected, as the eastern Pacific high is in its more northerly position in summer; and the pressure over southern California has lowered in response to the interior thermal low. Normal sea level pressure gradient from 35N 125W to Los Angeles is 6 mb in July and 1 mb in January. Thus, northerly winds are usually present along the California coast in summer and upper troughs moving through the southwest are seldom strong, thus providing just the proper amount of PVA required to generate the Catalina Eddy.

V. ACKNOWLEDGMENTS

Credit is due present and past members of the Los Angeles forecast staff--especially Messrs. Brian Finke and Don Gales--whose comments were especially helpful in preparation of this paper. Appreciation is expressed to Scientific Services Division, WRH, for guidance received and for furnishing some of the data used.

VI. REFERENCES

1. Rosenthal, Jay, "Picture of the Month", Monthly Weather Review, Vol. 90 #10, October 1968, pp. 742 - 743.

2. Meyer, R. B., "Forecasting the Catalina Eddy," Weather Service Forecast Office, Los Angeles, California - Manuscript 1955.
3. Graham, R. D., "The Effect of the Catalina Eddy on the Summer Wind at San Diego," Weather Service Forecast Office, Los Angeles, California - Manuscript 1955.



FIGURE 1. 27 May 1968 1728Z
ESSA 6 photo clearly showing Point Mugu,
coastal southern California and adjacent
waters free from stratus following offshore
flow at the surface. Stratus is, however,
present along Baja California coast.



FIGURE 2. 28 May 1968 1522Z
ESSA 2 photo showing early stages of
Catalina Eddy. Note cyclonic spiral of
stratus.



FIGURE 3. 28 May 1968 1821Z
ESSA 6 photo showing progression of stratus
in cyclonic spiral of eddy. Note the isolation
of clear, dry air.



FIGURE 4. 29 May 1968 1717Z
ESSA 6 photo showing the complete envelop-
ment of Point Mugu, coastal waters and
region to the south by thick stratus. The
clear, dry area has now been filled up by
cloud from the dying eddy circulation.

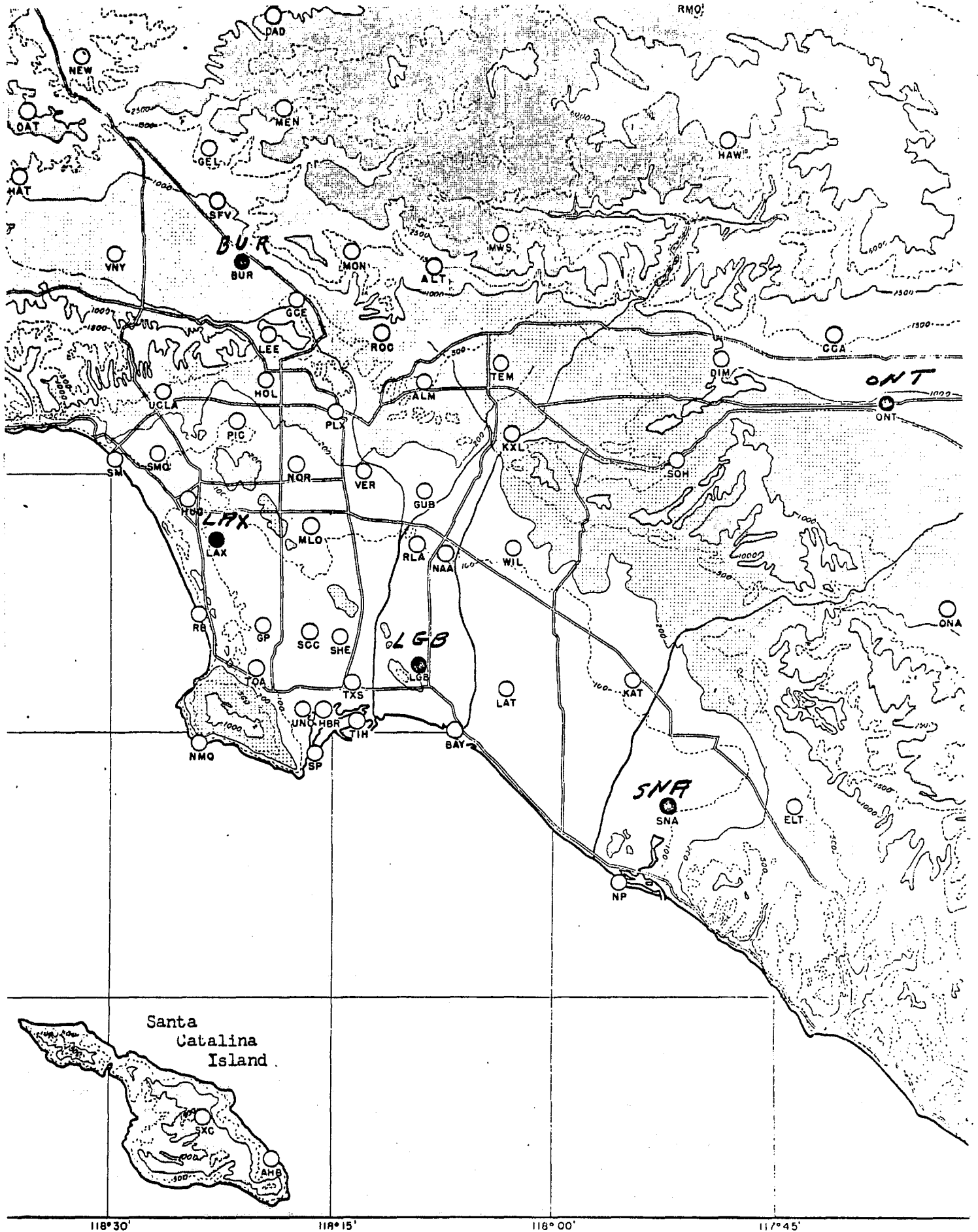


FIGURE 5. MAP OF THE LOS ANGELES AREA.

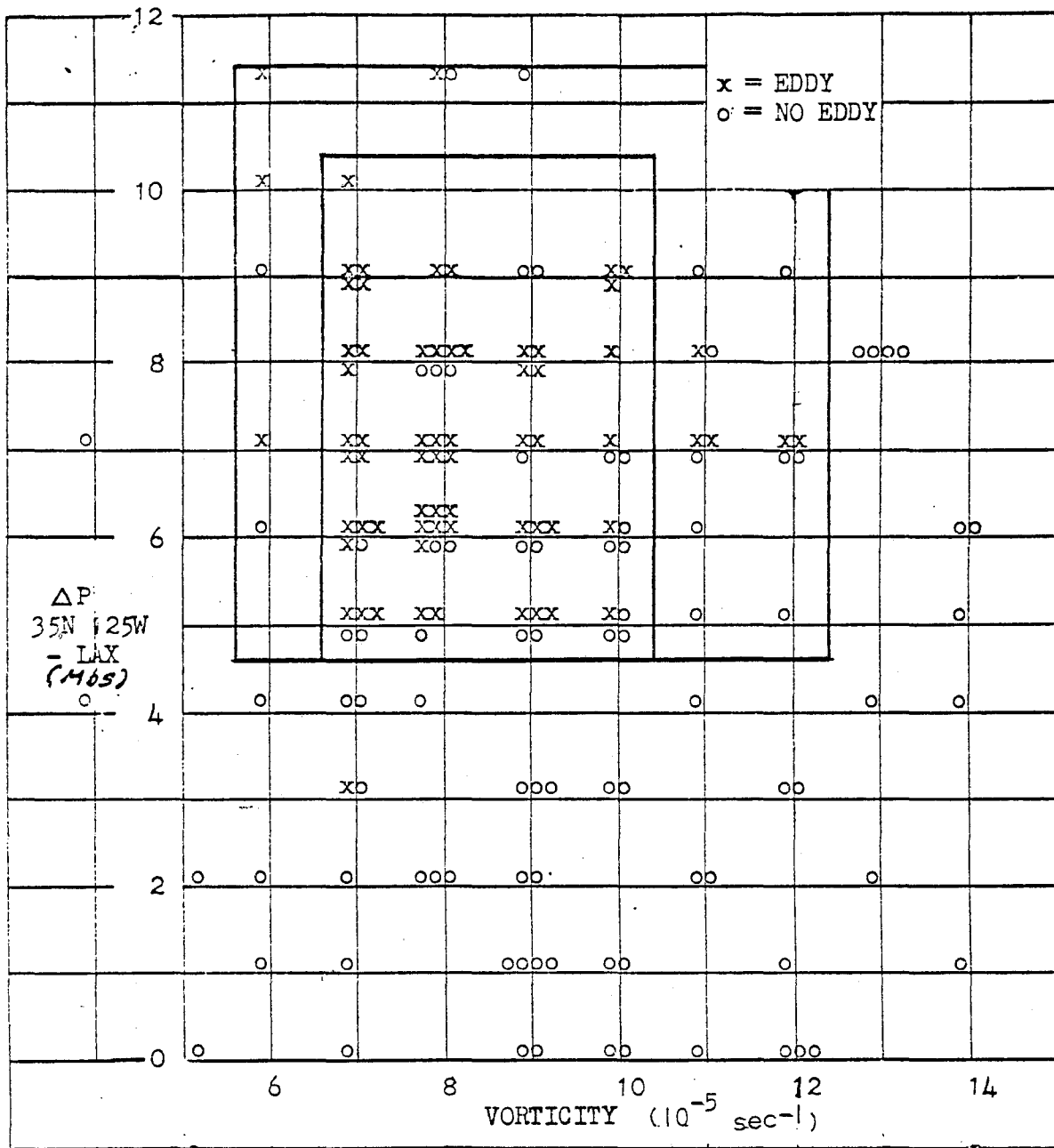


FIGURE 6. OCCURRENCES OF CATALINA EDDIES AS A FUNCTION OF SEA-LEVEL PRESSURE GRADIENT (35N 125W - LAX) AND VORTICITY AT LAX. DEPENDENT DATA.

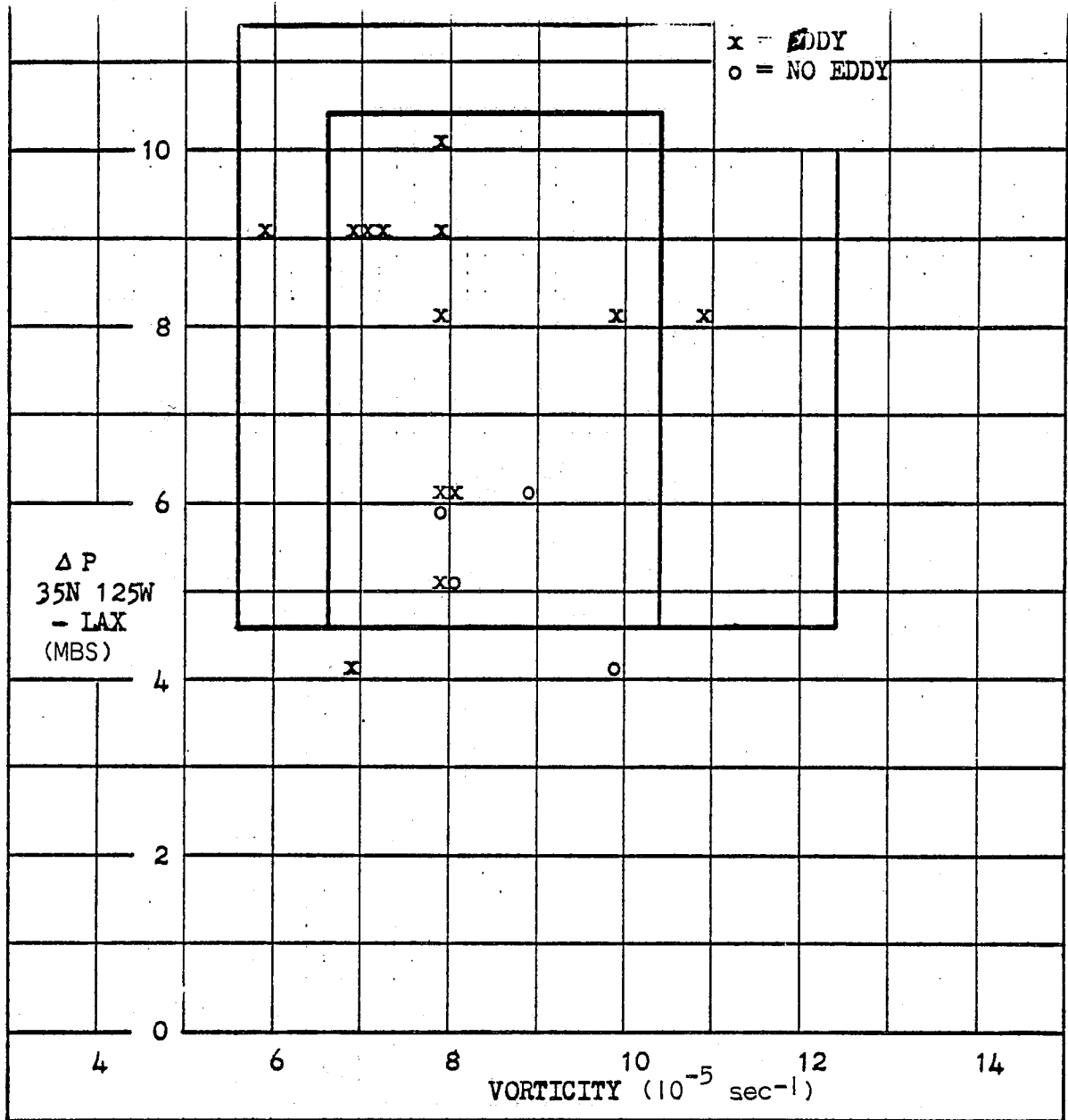


FIGURE 7. OCCURRENCES OF CATALINA EDDIES AS A FUNCTION OF SEA-LEVEL PRESSURE GRADIENT (35N 125W - LAX) AND VORTICITY AT LAX. INDEPENDENT DATA.

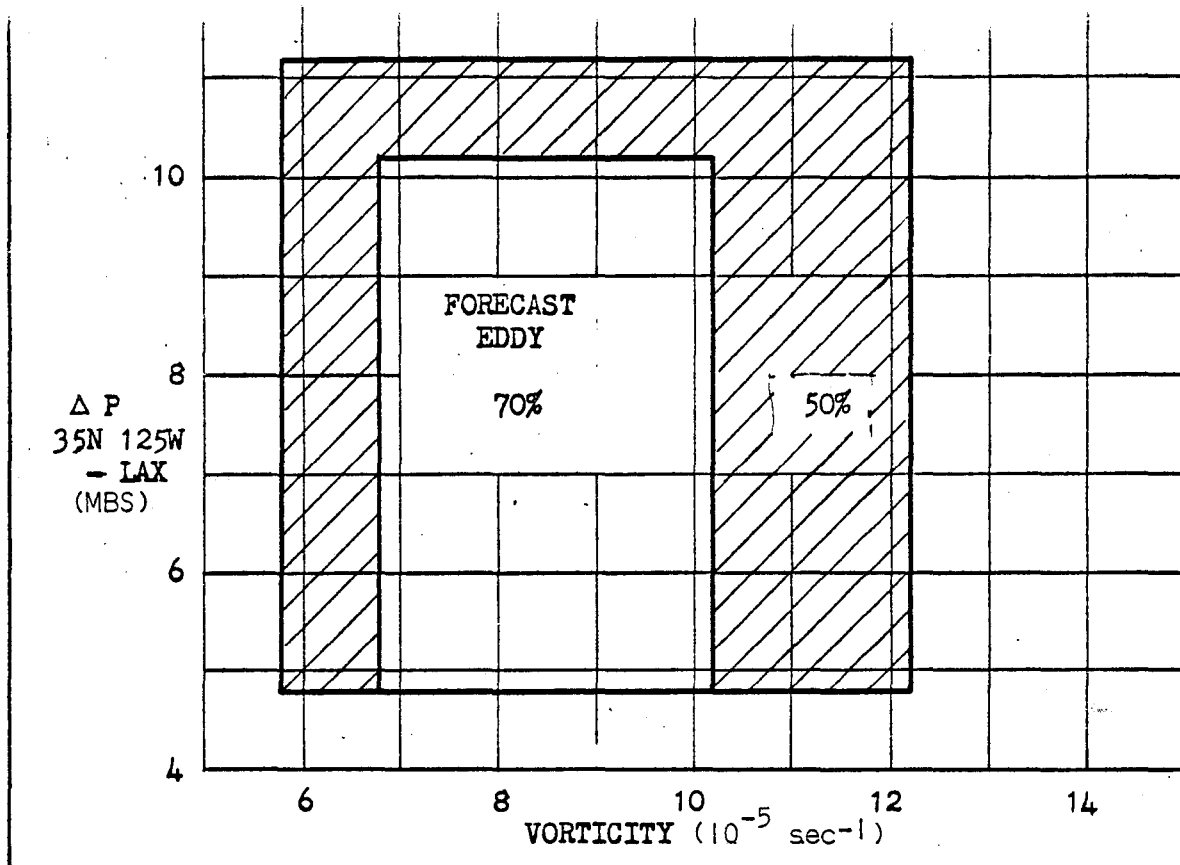


FIGURE 8. GRAPH FOR FORECASTING CATALINA EDDIES AS A FUNCTION OF SEA-LEVEL PRESSURE GRADIENT (ΔP) AND VORTICITY AT LAX.

Western Region Technical Memoranda: (Continued)

- No. 31* Precipitation Detection Probabilities by Salt Lake ARTC Radars. Robert K. Belesky. July 1968. (PB-179 084)
- No. 32 Probability Forecasting in the Portland Fire Weather District. Harold S. Ayer. July 1968. (PB-179 289)
- No. 33 Objective Forecasting. Philip Williams, Jr. August 1968. (AD-680 425)
- No. 34 The WSR-57 Radar Program at Missoula, Montana. R. Granger. October 1968. (PB-180 292)
- No. 35** Joint ESSA/FAA ARTC Radar Weather Surveillance Program. Herbert P. Benner and DeVon B. Smith. December 1968. (AD-681 857)
- No. 36* Temperature Trends in Sacramento--Another Heat Island. Anthony D. Lentini. February 1969. (PB0183 055)
- No. 37 Disposal of Logging Residues Without Damage to Air Quality. Owen P. Cramer. March 1969. (PB-183 057)
- No. 38* Climate of Phoenix, Arizona. R. J. Schmidli, P. C. Kangieser, and R. S. Ingram. April 1969. (PB-184 295)
- No. 39 Upper-Air Lows Over Northwestern United States. A. L. Jacobson. April 1969. (PB-184-296)
- No. 40 The Man-Machine Mix in Applied Weather Forecasting in the 1970s. L. W. Snellman. August 1969. (PB-185 068)
- No. 41 High Resolution Radiosonde Observations. W. W. Johnson. August 1969. (PB-185 673)
- No. 42 Analysis of the Southern California Santa Ana of January 15-17, 1966. Barry B. Aronovitch. August 1969. (PB-185 670)
- No. 43 Forecasting Maximum Temperatures at Helena, Montana. David E. Olsen. October 1969. (PB-185 762)
- No. 44 Estimated Return Periods for Short-Duration Precipitation in Arizona. Paul C. Kangieser. October 1969. (PB-187 763)
- No. 45/1 Precipitation Probabilities in the Western Region Associated with Winter 500-mb Map Types. Richard P. Augulis. December 1969. (PB-188 248)
- No. 45/2 Precipitation Probabilities in the Western Region Associated with Spring 500-mb Map Types. Richard P. Augulis. January 1970. (PB-189 434)
- No. 45/3 Precipitation Probabilities in the Western Region Associated with Summer 500-mb Map Types. Richard P. Augulis. January 1970. (PB-189 414)
- No. 45/4 Precipitation Probabilities in the Western Region Associated with Fall 500-mb Map Types. Richard P. Augulis. January 1970. (PB-189 435)
- No. 46 Applications of the Net Radiometer to Short-Range Fog and Stratus Forecasting at Eugene, Oregon. L. Yee and E. Bates. December 1969. (PB-190 476)
- No. 47 Statistical Analysis as a Flood Routing Tool. Robert J. C. Burnash. December 1969. (PB-188 744)
- No. 48 Tsunami. Richard P. Augulis. February 1970. (PB-190 157)
- No. 49 Predicting Precipitation Type. Robert J. C. Burnash and Floyd E. Hug. March 1970. (PB-190 962)
- No. 50 Statistical Report of Aeroallergens (Pollens and Molds) Fort Huachuca, Arizona 1969. Wayne S. Johnson. April 1970. (PB-191 743)
- No. 51 Western Region Sea State and Surf Forecaster's Manual. Gordon C. Shields and Gerald B. Burdwell. July 1970. (PB-193 102)
- No. 52 Sacramento Weather Radar Climatology. R. G. Pappas and C. M. Veliquette. July 1970. (PB-193 347)
- No. 53* Experimental Air Quality Forecasts in the Sacramento Valley. Norman S. Benes. August 1970. (PB-194 128)
- No. 54 A Refinement of the Vorticity Field to Delineate Areas of Significant Precipitation. Barry B. Aronovitch. August 1970.
- No. 55 Application of the SSARR Model to a Basin Without Discharge Record. Vail Schermerhorn and Donald W. Kuehl. August 1970. (PB-194 394)
- No. 56 Areal Coverage of Precipitation in Northwestern Utah. Philip Williams, Jr., and Werner J. Heck. September 1970. (PB-194 389)
- No. 57 Preliminary Report on Agricultural Field Burning vs. Atmospheric Visibility in the Willamette Valley of Oregon. Earl M. Bates and David O. Chilcote. Sept. 1970. (PB-194 710)
- No. 58 Air Pollution by Jet Aircraft at Seattle-Tacoma Airport. Wallace R. Donaldson. October 1970. (COM-71-00017)
- No. 59 Application of P.E. Model Forecast Parameters to Local-Area Forecasting. Leonard W. Snellman. October 1970. (COM-71-00016)
- NOAA - This is continuation of the ESSA Technical Memorandum Series.
- No. 60 An Aid in Forecasting the Minimum Temperature at Medford, Oregon. Arthur W. Fritz. October 1970. (COM-71-00120)
- No. 61 Relationship of Wind Velocity and Stability to SO₂ Concentrations at Salt Lake City, Utah. Werner J. Heck. January 1971.

* Out of Print

**Revised