

Congratulations, you and your MacBook Pro
were made for each other.

Welcome to your MacBook Pro.

www.apple.com/macbookpro



Built-in FaceTime HD camera

Make video calls
to the latest iPad,
iPhone, iPod touch,
or Mac.

Help Center

[facetime](#)



Thunderbolt high-speed I/O

Connect
high-performance
devices and
displays.

Help Center

[thunderbolt](#)



Click anywhere



Pinch to zoom



Rotate images



Scroll up or down



Swipe between
full-screen apps



View Mission
Control

Multi-Touch trackpad

Use gestures like these
to control your Mac.

Help Center

[gestures](#)

OS X Lion

www.apple.com/macosex



Mission Control

A bird's-eye view of what's running on your Mac.

Help Center

 [mission control](#)



Launchpad

Instant access to all your apps in one place.

Help Center

 [launchpad](#)



Full screen

Make apps full screen with a click.

Help Center

 [full screen](#)



Mac App Store

The best way to discover and download Mac apps.

Help Center

 [mac app store](#)



Mail

Group your messages by conversations.

Help Center

 [mail](#)



iPhoto

Organize, edit, and share your photos.

iPhoto Help

 [photos](#)



iMovie

Turn home videos into home blockbusters.

iMovie Help

 [movie](#)



GarageBand

Create great-sounding songs with ease.

GarageBand Help

 [record](#)

Contents

Chapter 1: Ready, Set Up, Go

- 9 What's in the Box
- 9 Setting Up Your MacBook Pro
- 16 Putting Your MacBook Pro to Sleep or Shutting It Down

Chapter 2: Life with Your MacBook Pro

- 20 Basic Features of Your MacBook Pro
- 22 Keyboard Features of Your MacBook Pro
- 24 Ports on Your MacBook Pro
- 26 Using the Multi-Touch Trackpad
- 30 Using the MacBook Pro Battery
- 31 Getting Answers

Chapter 3: Boost Your MacBook Pro

- 37 Replacing the Hard Disk Drive
- 44 Installing Additional Memory

Chapter 4: Problem, Meet Solution

- 50 An Ounce of Prevention
- 51 Problems That Prevent You from Using Your MacBook Pro

- 54 Repairing, Restoring, or Reinstalling Mac OS X Software
- 59 Using Apple Hardware Test
- 60 Problems with Your Internet Connection
- 62 Problems with Wi-Fi Communication
- 63 Keeping Your Software Up to Date
- 64 Learning More, Service, and Support
- 66 Locating Your Product Serial Number

Chapter 5: Last, but Not Least

- 68 Important Safety Information
- 73 Important Handling Information
- 75 Understanding Ergonomics
- 77 Apple and the Environment
- 78 Regulatory Compliance Information

Looking for Something?

- 84 Index

1

Ready, Set Up, Go

www.apple.com/macbookpro

[Help Center](#)  [Migration Assistant](#)

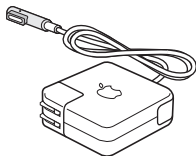
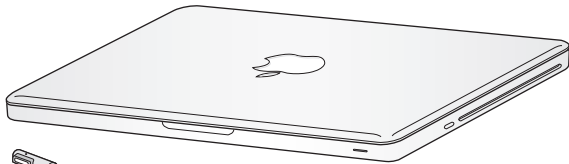
Your MacBook Pro is designed so that you can set it up quickly and start using it right away. If you have never used a MacBook Pro or are new to Mac computers, read this chapter for help getting started.

Important: Read all the installation instructions (and the safety information starting on page 68) carefully before you first use your computer.

If you're an experienced user, you may already know enough to get started. Make sure you look over the information in Chapter 2, "Life with Your MacBook Pro," to find out about the new features of this MacBook Pro.

Many answers to questions can be found on your computer in Help Center. For information about using Help Center, see "Getting Answers" on page 31. The latest information about your MacBook Pro is available on the Apple Support website at www.apple.com/support/macbookpro. Apple may release new versions and updates to its system software, so the images shown in this book may be slightly different from what you see onscreen.

What's in the Box



60W MagSafe Power Adapter



AC power cord

Setting Up Your MacBook Pro

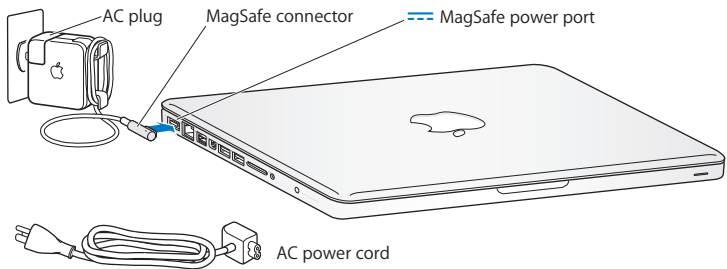
Your MacBook Pro is designed so that you can set it up quickly and start using it right away. The following pages take you through the setup process, including these tasks:

- Plugging in the 60W MagSafe Power Adapter
- Connecting cables and accessing a network
- Turning on your MacBook Pro
- Configuring a user account and other settings using Setup Assistant
- Setting up the Mac OS X desktop and preferences

Important: Remove the protective film around the 60W MagSafe Power Adapter before setting up your MacBook Pro.

Step 1: Plug in the 60W MagSafe Power Adapter to provide power to the MacBook Pro and charge the battery.

Make sure the AC plug is fully inserted into the power adapter and the electrical prongs on your AC plug are in their completely extended position. Insert the AC plug of your power adapter into a power outlet and the MagSafe connector into the MagSafe power port. As the MagSafe connector gets close to the port, you'll feel a magnetic pull drawing it in.



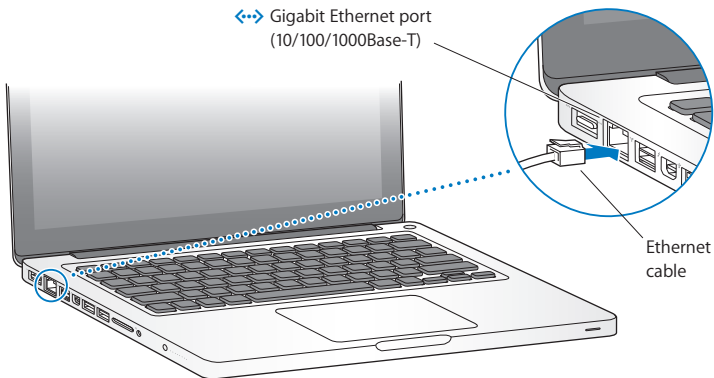
To extend the reach of your power adapter, replace the AC plug with the AC power cord. First pull the AC plug up to remove it from the adapter, and then attach the included AC power cord to the adapter, making sure it's seated firmly.

When disconnecting the power adapter from an outlet or from the computer, pull the plug, not the cord.

When you first connect the power adapter to your MacBook Pro, an indicator light on the MagSafe connector starts to glow. An amber light indicates the battery is charging. A green light indicates that the battery is fully charged. If you don't see a light, make sure the connector is seated properly and the power adapter is plugged in.

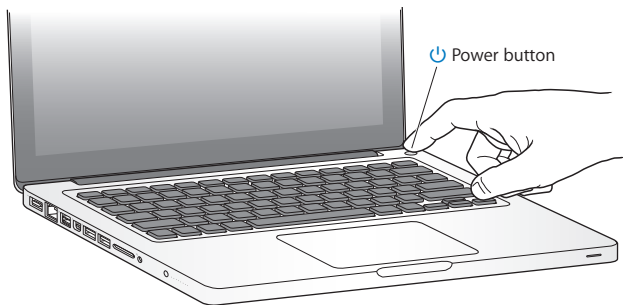
Step 2: Connect to a wireless or wired network.

- To use a wireless network with the built-in 802.11n Wi-Fi technology, make sure the wireless base station is turned on and that you know the name of the network. After you turn on your MacBook Pro, Setup Assistant guides you through the connection process. For troubleshooting tips, see page 62.
- To use a wired connection, connect one end of an Ethernet cable to your MacBook Pro and the other end to a cable modem, DSL modem, or network.



Step 3: Press the power (⏻) button briefly to turn on your MacBook Pro.

You hear a tone when you turn on the computer.



It takes the MacBook Pro a few moments to start up. After it starts up, Setup Assistant opens automatically.

If your MacBook Pro doesn't turn on, see "If your MacBook Pro doesn't turn on or start up" on page 52.

Step 4: Configure your MacBook Pro with Setup Assistant.

The first time you turn on your MacBook Pro, Setup Assistant starts. Setup Assistant helps you specify your Wi-Fi network, set up a user account, and transfer information from another Mac or PC. You can also transfer information from a Time Machine backup or other disk.

If you're migrating from another Mac, you might have to update software if the other Mac doesn't have Mac OS X version 10.5.3 or later installed. To migrate from a PC, download the Migration Assistant from www.apple.com/migrate-to-mac, and install it on the PC you want to migrate from.

After you start Setup Assistant on your MacBook Pro, you can leave it midprocess without quitting, move to the other computer if you need to update its software, and then return to your MacBook Pro to complete the setup.

Note: If you don't use Setup Assistant to transfer information when you first start up your MacBook Pro, you can do it later using Migration Assistant. Open Migration Assistant in the Utilities folder in Launchpad. For help using Migration Assistant, open Help Center and search for "Migration Assistant."

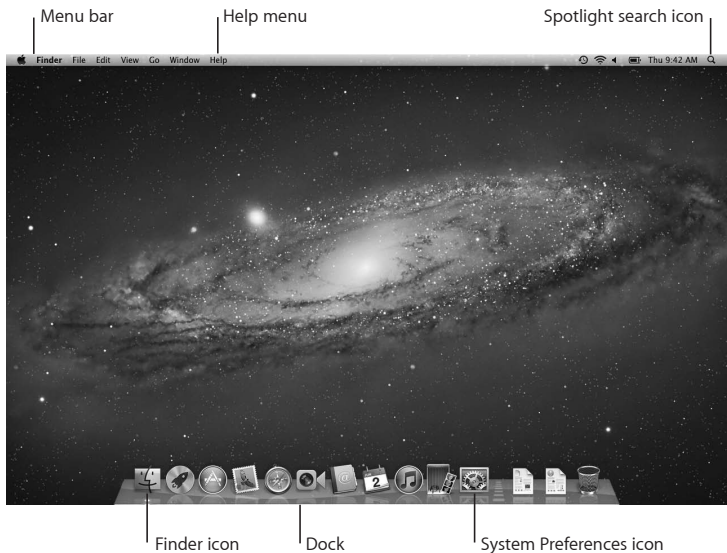
To set up your MacBook Pro:

- 1 In Setup Assistant, follow the onscreen instructions until you get to the “Transfer Information to This Mac” screen.
- 2 Do a basic setup, a setup with migration, or transfer information from a Time Machine backup or other disk:
 - *To do a basic setup*, select “Don’t transfer now” and click Continue. Follow the remaining prompts to select your wired or wireless network, set up an account, and exit Setup Assistant.
 - *To do a setup with migration*, select “From another Mac or PC” and click Continue. Follow the onscreen instructions to select the Mac or PC you want to migrate from. Your Mac or PC must be on the same wired or wireless network. Follow the onscreen instructions for migrating.
 - *To transfer information from a Time Machine backup or another disk*, select “From a Time Machine backup or other disk” and click Continue. Select the backup or the other disk that you want to migrate from. Follow the onscreen instructions.

If you don’t intend to keep or use your other computer, it’s best to deauthorize it from playing music, videos, or audiobooks that you’ve purchased from the iTunes Store. Deauthorizing a computer prevents any songs, videos, or audiobooks you’ve purchased from being played by someone else, and frees up another authorization for use. For information about deauthorizing, choose iTunes Help from the Help menu in iTunes.

Step 5: Customize the Mac OS X desktop and set preferences.

You can quickly make the desktop look the way you want using System Preferences, your command center for most settings on your MacBook Pro. Choose Apple (🍏) > System Preferences from the menu bar or click the System Preferences icon in the Dock.



Important: You can set an option to reset your password in Users & Groups preferences, in case you forget your login password. For help with system preferences, open Help Center and search for “system preferences” or for the specific preference you want help for.

Putting Your MacBook Pro to Sleep or Shutting It Down

When you finish working with your MacBook Pro, you can put it to sleep or shut it down.

Putting Your MacBook Pro to Sleep

If you'll be away from your MacBook Pro for only a short time, put it to sleep. When the computer is in sleep, you can quickly wake it and bypass the startup process.

To put your MacBook Pro to sleep, do one of the following:

- Close the display.
- Choose Apple () > Sleep from the menu bar.
- Press the power (⏻) button and click Sleep in the dialog that appears.
- Choose Apple () > System Preferences, click Energy Saver, and set a sleep timer.

NOTICE: Wait a few seconds until the sleep indicator light starts pulsing (indicating that the computer is in sleep and the hard disk has stopped spinning) before moving your MacBook Pro. Moving your computer while the disk is spinning can damage the hard disk, causing loss of data or the inability to start up from the hard disk.

To wake your MacBook Pro:

- *If the display is closed*, simply open it to wake your MacBook Pro.
- *If the display is already open*, press the power (⏻) button or any key on the keyboard.

When your MacBook Pro wakes from sleep, your applications, documents, and computer settings are exactly as you left them.

Shutting Down Your MacBook Pro

If you aren't going to use your MacBook Pro for a couple of days or longer, it's best to shut it down. The sleep indicator light goes on briefly during the shutdown process.

To shut down your MacBook Pro, do one of the following:

- Choose Apple (🍏) > Shut Down from the menu bar.
- Press the power (⏻) button and click Shut Down in the dialog that appears.

If you plan to store your MacBook Pro for an extended period of time, see page 74 for information about how to prevent the battery from draining completely.

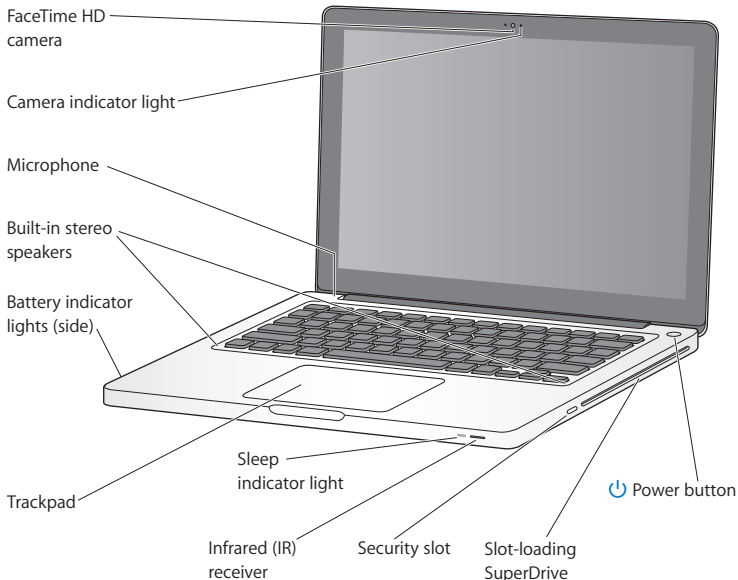
2

Life with Your MacBook Pro

www.apple.com/macosex

Help Center  Mac OS X

Basic Features of Your MacBook Pro



Built-in FaceTime HD camera and camera indicator light

Use the included FaceTime application to make video calls to other FaceTime users (on any iPhone 4, new iPod touch, or Mac with FaceTime), take pictures with Photo Booth, or capture video with iMovie. The indicator light glows when the FaceTime HD camera is operating.

Built-in microphone

Capture sounds with the microphone or talk with friends live over the Internet using FaceTime or iChat.

Built-in stereo speakers

Listen to music, movies, games, and other multimedia files.

Built-in battery and battery indicator lights

Use battery power when you're away from a power outlet. Press the battery button to activate indicator lights that show the remaining battery charge.

Trackpad

Click or double-click anywhere on the trackpad. Touch the trackpad with one or more fingers to move the pointer and use Multi-Touch gestures (described on page 26).

Sleep indicator light

A white light pulses when the MacBook Pro is in sleep.

Infrared (IR) receiver

Use an Apple Remote (available separately) with the IR receiver to control Keynote on your MacBook Pro from up to 30 feet (9.1 meters) away.

Security slot

Attach a lock and cable (available separately) to prevent theft.

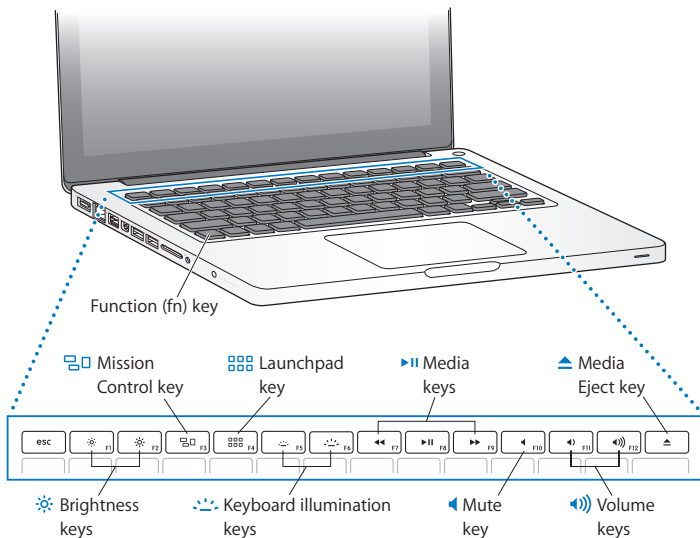
Slot-loading SuperDrive

This optical drive reads and writes standard-size CDs and DVDs.

**Power button**

Turn your MacBook Pro on or off, or put it to sleep.

Keyboard Features of Your MacBook Pro



Function (fn) key

Press and hold this key to activate customized actions assigned to the function keys (F1 to F12). To learn how to customize function keys, choose Help > Help Center from the menu bar and search for “function keys.”

**Brightness keys (F1, F2)**

Increase (☀) or decrease (☁) the brightness of the screen.

**Mission Control key (F3)**

Open Mission Control to get a comprehensive view of what’s running on your MacBook Pro, including Dashboard, all your spaces, and all open windows.

**Launchpad key (F4)**

Open Launchpad to instantly see all the applications on your MacBook Pro. Click an application to open it.

**Keyboard illumination keys (F5, F6)**

Increase (☀) or decrease (☁) the brightness of the keyboard illumination.

**Media keys (F7, F8, F9)**

Rewind (◀), play or pause (▶), or fast-forward (▶▶) a song, movie, or slideshow.

**Mute key (F10)**

Mute the sound coming from the built-in speakers and audio out port.

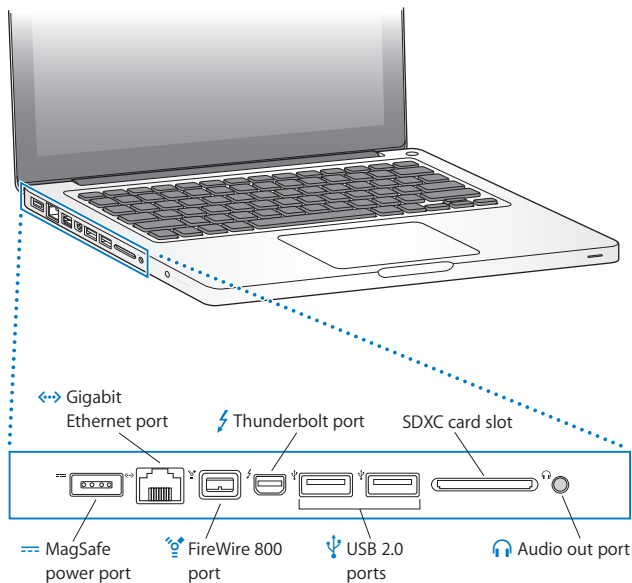
**Volume keys (F11, F12)**

Increase (🔊) or decrease (🔇) the volume of sound coming from the built-in speakers and audio out port.

**Media Eject key**

Press and hold this key to eject a disc that’s not in use. You can also eject a disc by dragging its desktop icon to the Trash.

Ports on Your MacBook Pro



**MagSafe power port**

Plug in the included 60W MagSafe Power Adapter to recharge the MacBook Pro battery.

**Gigabit Ethernet port**

Connect to a high-speed Ethernet network, a DSL or cable modem, or another computer. The Ethernet port automatically detects Ethernet devices and doesn't require an Ethernet crossover cable.

**FireWire 800 port**

Connect external devices, such as digital video cameras and storage devices.

**Thunderbolt port (high-speed data, video, and audio)**

Connect Thunderbolt-compatible devices for high-speed data transfer, or connect an external display that uses Mini DisplayPort. You can purchase adapters to connect displays that use DVI, HDMI, or VGA.

**USB (Universal Serial Bus) 2.0 ports**

Connect an iPod, iPhone, iPad, mouse, keyboard, printer, disk drive, digital camera, joystick, modem, and more to your MacBook Pro.

SDXC card slot

Easily transfer photos, videos, and data to and from your MacBook Pro with an SD or SDXC card.

**Audio out port**

Connect external speakers, headphones (including iPhone), or digital audio equipment. You can specify audio analog line in functionality, to support line-level microphones and audio equipment, by selecting Audio In in the Sound pane of System Preferences.

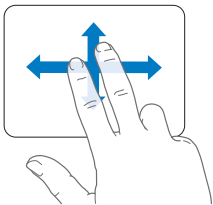
Note: Adapters and other accessories are sold separately at www.apple.com/store or your local Apple Retail Store.

Using the Multi-Touch Trackpad

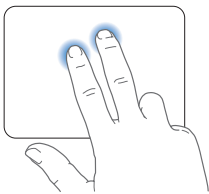
Use the trackpad to move the pointer and to perform a variety of Multi-Touch gestures. Unlike typical trackpads, the entire MacBook Pro trackpad is a button, and you can click anywhere on the trackpad. To enable Multi-Touch gestures, view instructional videos of the gestures, and set other trackpad options, choose Apple (🍏) > System Preferences, and then click Trackpad.

Here are ways to use your MacBook Pro trackpad:

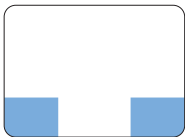
- *Two-finger scrolling* lets you drag to scroll quickly up, down, or sideways in the active window.



- *Secondary-clicking* or “*right-clicking*” lets you access shortcut menu commands.
 - To set up two-finger secondary-clicking anywhere on the trackpad, select “Secondary click” in the Point & Click pane of Trackpad preferences.



- To set up a one-finger secondary-click zone in the bottom left or right corner of the trackpad, select “Secondary click” in the Point & Click pane of Trackpad preferences, and choose an option from the pop-up menu.

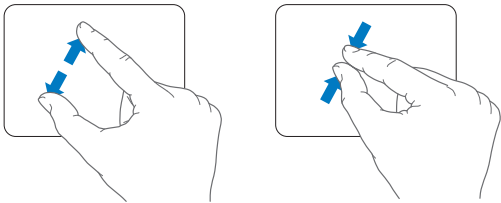


Secondary-click zone

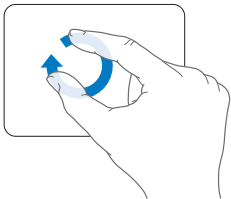
Note: You can also secondary-click by holding down the Control key while you click.

The following trackpad gestures work in certain applications. When you perform these gestures, slide your fingers lightly on the surface of the trackpad. For more information, see Trackpad preferences or choose Help > Help Center and search for “trackpad.”

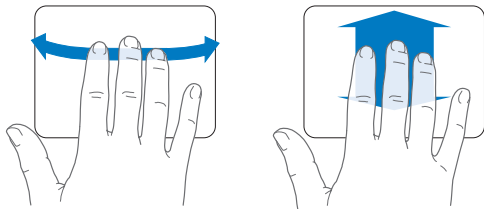
- *Two-finger pinching* lets you zoom in or out on PDFs, images, photos, and more.



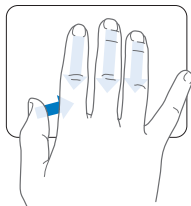
- *Two-finger rotating* lets you rotate photos, pages, and more.



- *Three-finger swiping* works in the Finder and all applications. Swiping three fingers to the left or right lets you cycle through full-screen applications. Swiping three fingers up opens Mission Control. You can also set these options to work with four fingers.



- *Four-finger pinching* displays Launchpad when you pinch your thumb and three fingers together. Spread the same fingers apart to return to the desktop.



Note: You can specify other functions for many gestures. For details about all available gestures, choose Apple () > System Preferences, and then click Trackpad. Click the checkboxes to turn gestures on or off, and explore the pop-up menus to see the options for each gesture.

Using the MacBook Pro Battery

When the MagSafe power adapter isn't connected, your MacBook Pro draws power from its built-in battery. The length of time that you can run your MacBook Pro varies, depending on the applications you use and the external devices connected to your MacBook Pro.

Turning off features such as Wi-Fi or Bluetooth® wireless technology and reducing screen brightness can help conserve battery charge, for example, when you're traveling by air. Many of your system preferences are automatically set to optimize battery life.

You can determine the charge remaining in the battery by looking at the eight battery level indicator lights on the left side of your MacBook Pro. Press the button next to the lights, and the lights glow briefly to show how much charge remains in the battery.

Important: If only one indicator light is on, very little charge is left. If no lights are on, the battery is completely drained and the MacBook Pro won't start up unless the power adapter is connected. Plug in the power adapter to let the battery recharge. For more information about battery indicator lights, see page 54.

You can also check the amount of battery charge remaining by viewing the Battery (🔋) status icon in the menu bar. The battery charge level displayed is based on the amount of power left in the battery with the applications, peripheral devices, and system settings you're currently using. To conserve battery power, close applications and disconnect peripheral devices not in use, and adjust your Energy Saver settings. For more information about battery conservation and performance tips, go to www.apple.com/batteries/notebooks.html.

Charging the Battery

When the power adapter that came with your MacBook Pro is connected, the battery charges whether the computer is on, off, or in sleep. The battery charges more quickly, however, if the computer is off or in sleep.

The battery in your MacBook Pro can be replaced only by an Apple Authorized Service Provider or an Apple Retail Store.

Getting Answers

Much more information about using your MacBook Pro is available in Help Center on your computer, and on the Internet at www.apple.com/support/macbookpro.

To get Help Center:

- 1 Click the Finder icon in the Dock (the bar of icons along the edge of the screen).



- 2 Click the Help menu in the menu bar and do one of the following:
 - a Type a question or term in the Search field, and select a topic from the list of results or select Show All Results to see all topics.
 - b Choose Help Center to open the Help Center window, where you can browse or search topics.

More Information

For more information about using your MacBook Pro, see the following:

To learn about	See
Installing memory	Chapter 3, “Boost Your MacBook Pro” on page 35.
Troubleshooting your MacBook Pro if you have a problem	Chapter 4, “Problem, Meet Solution” on page 49.
Finding service and support for your MacBook Pro	“Learning More, Service, and Support” on page 64. Or go to the Apple Support site at www.apple.com/support/macbookpro .
Using Mac OS X	The Mac OS X website at www.apple.com/macosx . Or search for “Mac OS X” in Help Center.
Moving from a PC to a Mac	“Why you’ll love a Mac” at www.apple.com/getamac/whymac .
Using iLife applications	The iLife website at www.apple.com/ilife . Or open an iLife application, open Help for the application, and then type a question in the search field.
Changing system preferences	System Preferences by choosing Apple () > System Preferences. Or search for “system preferences” in Help Center.
Using the trackpad	System Preferences and click Trackpad.
Using the keyboard	Help Center and search for “keyboard.”
Using the FaceTime HD camera	Help Center and search for “camera.”
Using Wi-Fi technology	Help Center and search for “wi-fi.”

To learn about	See
Using Bluetooth wireless technology	The Bluetooth Support page at www.apple.com/support/bluetooth . Or open the Bluetooth File Exchange application (in the Utilities folder in Launchpad) and choose Help > Bluetooth Help.
Caring for the battery	Help Center and search for “battery.”
Connecting a printer	Help Center and search for “printing.”
FireWire and USB connections	Help Center and search for “FireWire” or “USB.”
Connecting to the Internet	Help Center and search for “Internet.”
Using the Thunderbolt port	Help Center and search for “Thunderbolt.”
Connecting an external display	Help Center and search for “display port.”
Burning a CD or DVD	Help Center and search for “burn disc.”
Specifications	The Specifications page at www.apple.com/support/specs . Or open System Information by choosing Apple () > About This Mac from the menu bar, and then click More Info.
Apple news	The Apple website at www.apple.com .
Software downloads	The Mac App Store (available in Mac OS X v10.6.6 or later).
Instructions, technical support, and manuals for Apple products	The Apple Support website at www.apple.com/support .

3

Boost Your MacBook Pro

www.apple.com/store

[Help Center](#)  [RAM](#)

This chapter provides information and instructions for upgrading the hard disk drive and installing additional memory in your MacBook Pro.

WARNING: Apple recommends that you have an Apple-certified technician install replacement drives and memory. Consult the service and support information that came with your computer for information about how to contact Apple for service. If you attempt to install a replacement drive or memory and damage your equipment, such damage is not covered by the limited warranty on your computer.

The battery in your MacBook Pro is not user-replaceable. If you think your battery needs to be replaced, contact an Apple Retail Store or an Apple Authorized Service Provider.

Replacing the Hard Disk Drive

You can upgrade the hard disk drive in your MacBook Pro. The hard disk drive is located next to the built-in battery when you open the back of your MacBook Pro. The replacement drive must be a 2.5-inch drive with a Serial ATA (SATA) connector.

Important: Apple recommends that you back up the data on your hard disk drive before removing and replacing it. Apple is not responsible for any lost data.

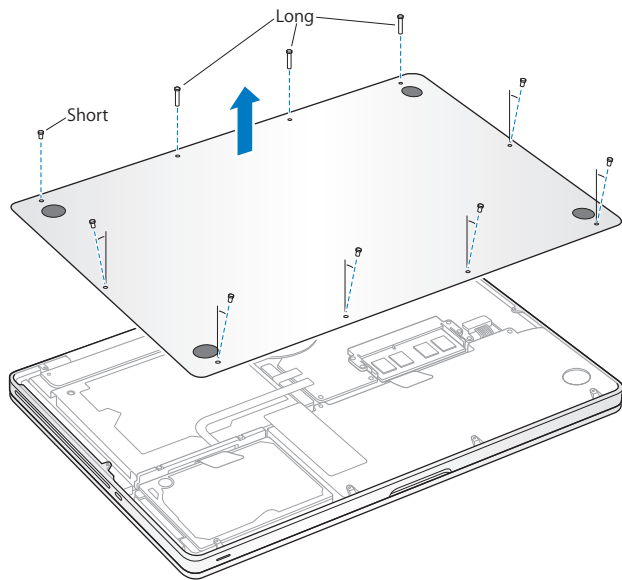
To replace the hard disk drive in your MacBook Pro:

- 1 Shut down your MacBook Pro. Disconnect the power adapter, Ethernet cable, USB cables, security lock, and any other cables connected to the MacBook Pro to prevent damaging the computer.

WARNING: The internal components of your MacBook Pro can be warm. If you have been using your MacBook Pro, wait 10 minutes after shutting down to let the internal components cool before continuing.

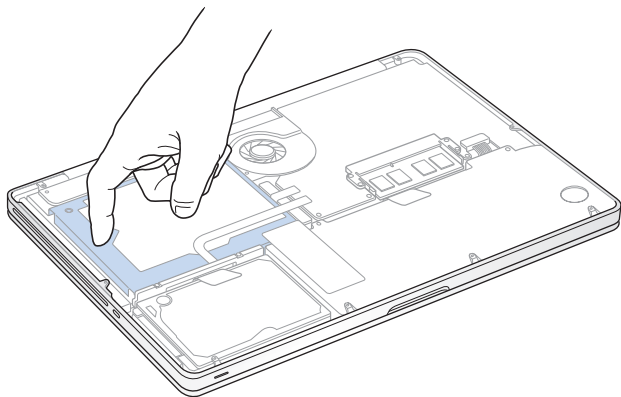
- 2 Turn over your MacBook Pro and remove the ten (10) screws that secure the bottom case. Remove the shorter screws at the angles shown in the illustration. Lift off the case and place it to the side.

Important: Because the screws are different lengths, note the screw lengths and locations so you can replace the screws correctly. Put them aside in a safe place.

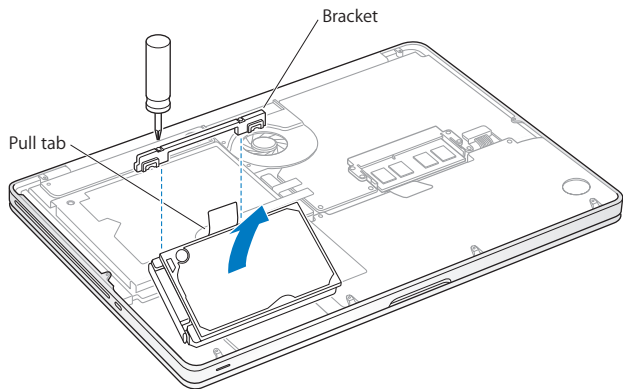


Important: When you remove the bottom case, you expose sensitive internal components, which can be affected by static electricity.

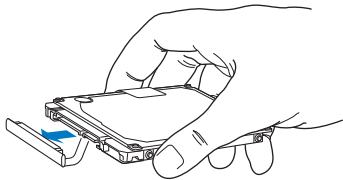
- 3 Before touching the hard drive assembly, discharge any static electricity from your body by touching a metal surface inside the computer.



- 4 Locate the bracket at the top of the drive. Use a Phillips screwdriver to loosen the two captive screws that hold the bracket in place. Put the bracket aside in a safe place.
- 5 Using the pull tab, gently tilt up the drive.

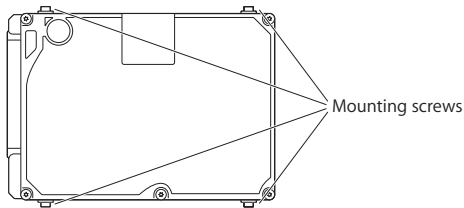


- 6 Hold the drive by its sides and gently pull the connector on the left side of the drive to disconnect it. Don't press the drive between your fingers, and avoid touching the circuitry on the underside of the drive.



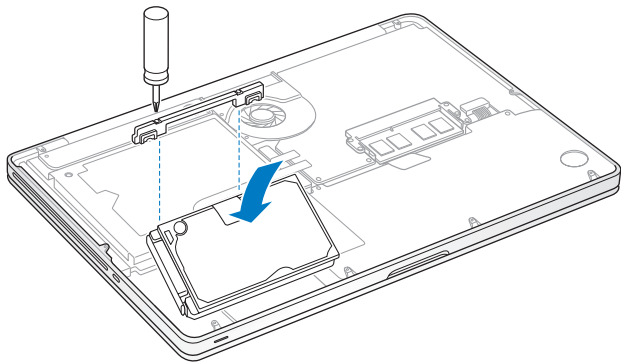
The connector is attached to a cable and remains in the hard disk drive bay.

Important: There are four (4) mounting screws on the sides of your hard disk drive. If your replacement drive doesn't include mounting screws, remove the ones from your old drive and mount them on the replacement drive before you install it.



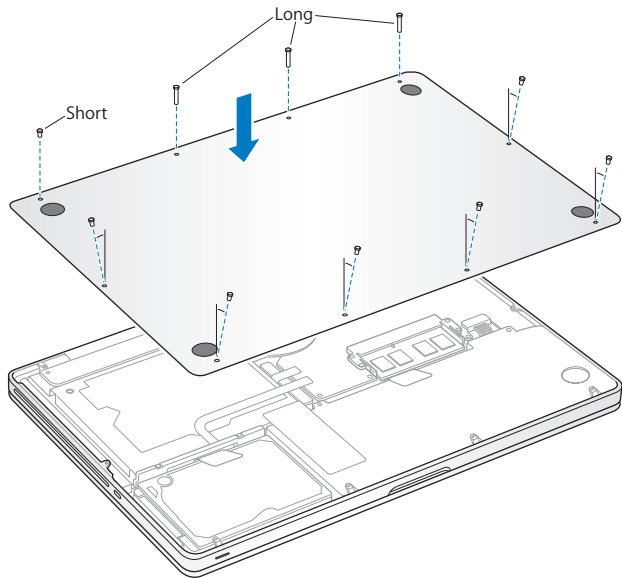
- 7 Attach the connector to the left side of the replacement drive.

- 8 Insert the replacement drive at an angle, making sure the mounting screws are seated properly.



- 9 Replace the bracket and tighten the screws.

- 10 Replace the bottom case. Replace and tighten the ten screws you removed in step 2 in their proper locations, making sure to insert the shorter screws at the angles shown in the illustration.



For information about installing Mac OS X and bundled applications, see “Repairing, Restoring, or Reinstalling Mac OS X Software” on page 54.

Installing Additional Memory

Your computer has two memory slots that you access by removing the bottom case. Your MacBook Pro comes with a minimum of 4 gigabytes (GB) of 1333 MHz Double Data Rate (DDR3) Synchronous Dynamic Random-Access Memory (SDRAM) installed. Each memory slot can accept an SDRAM module that meets the following specifications:

- Double Data Rate Small Outline Dual Inline Memory Module (DDR3) format
- 30 mm (1.18 inches)
- 204-pin
- 2 GB or 4 GB
- PC3-10600S DDR3 1333 MHz Type RAM

You can add two 4 GB memory modules for a maximum of 8 GB of memory. For best performance, fill both memory slots and install an identical memory module in each slot.

To install memory in your MacBook Pro:

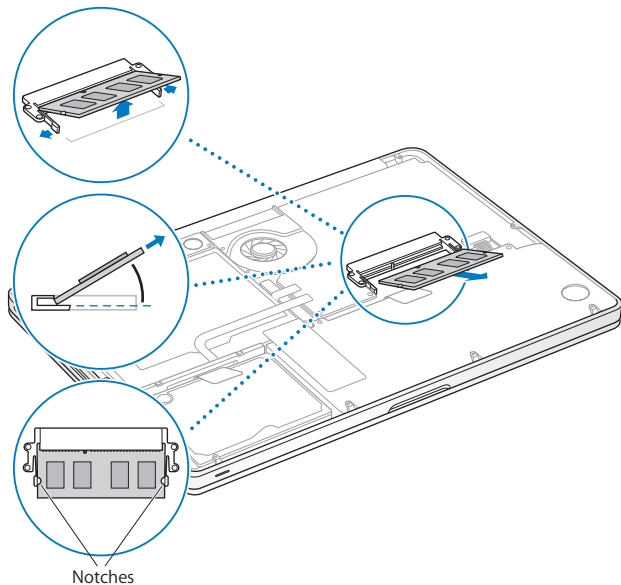
- 1 Follow steps 1 and 2 beginning on page 37 to remove the bottom case.

Important: When you remove the bottom case, you expose sensitive internal components, which can be affected by static electricity.

- 2 Before touching the memory assembly, discharge any static electricity from your body by touching a metal surface inside the computer.

- 3 Push the levers on the sides of the memory module outward to release the module from the memory card slot.

The memory pops up at an angle. Before removing it, make sure you see the half-circle notches. If you don't, try pressing the levers outward again.



4 Hold the memory module by its notches and remove it from the slot.

5 Remove the other memory module.

Important: Hold the memory modules by their edges, and do not touch the gold connectors.

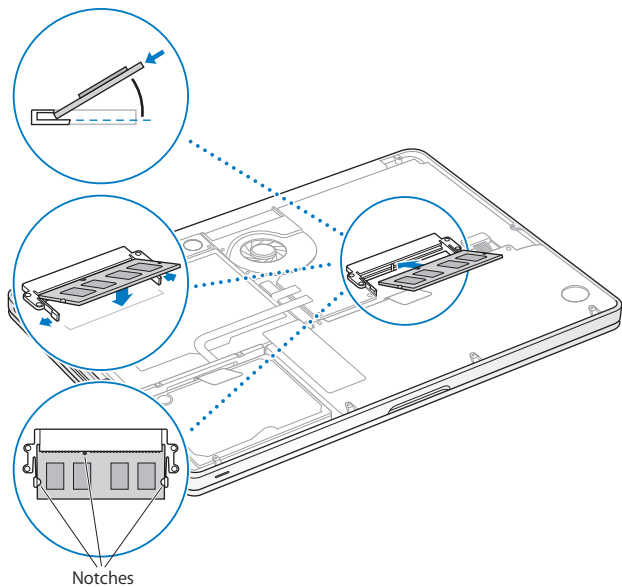
6 Insert the new memory module in the slot:

a Align the notch on the gold edge of the module with the notch in the lower memory slot.

b Tilt the card and push the memory into the slot.

c Use two fingers with firm, even pressure to push down on the memory module. You should hear a click when the memory is inserted correctly.

d Repeat to install an additional memory module in the top slot. Press down on the module to make sure it is level.




7 Follow the instructions for replacing the bottom case in step 10 on page 43.

Making Sure Your MacBook Pro Recognizes the New Memory

After installing additional memory in your MacBook Pro, check whether the computer recognizes the new memory.

To check the computer's memory:

- 1 Start up your MacBook Pro.
- 2 When you see the Mac OS X desktop, choose Apple () from the menu bar and then choose About This Mac.

For a detailed breakdown of the memory installed in your computer, open System Information by clicking More Info, and then click Memory.

If your MacBook Pro doesn't recognize the memory or doesn't start up correctly, confirm that the memory you installed is compatible with your MacBook Pro and that it's installed correctly.

4

Problem, Meet Solution

www.apple.com/support

Help Center  help

Occasionally, you might have problems while working with your MacBook Pro. Read on for troubleshooting tips to try when you have a problem. You can also find more troubleshooting information in Help Center and on the MacBook Pro Support website at www.apple.com/support/macbookpro.

If you experience a problem working with your MacBook Pro, there's usually a simple and quick solution. Think about the conditions that led up to the problem. Making a note of things you did before the problem occurred will help you narrow down possible causes and find the answers you need. Things to note include:

- The applications you were using when the problem occurred. Problems that occur only with a specific application might indicate that the application is not compatible with the version of Mac OS X installed on your computer.
- Any new software that you installed, especially software that added items to the System folder.
- Any new hardware that you installed, such as additional memory or a peripheral.

An Ounce of Prevention

If you have a problem with your computer or software, having kept up-to-date Time Machine backups ensures that your data won't be lost. If you make regular Time Machine backups, you can restore your software and all your data to exactly the way it was at the time of the backup. Even serious issues are of less concern when you safeguard your information with Time Machine.

Problems That Prevent You from Using Your MacBook Pro

If your MacBook Pro doesn't respond or the pointer doesn't move

On rare occasions, an application might “freeze” on the screen. Mac OS X provides a way to quit a frozen application without restarting your computer.

To force an application to quit:

- 1 Press Command (⌘)-Option-Esc or choose Apple () > Force Quit from the menu bar. The Force Quit Applications dialog appears with the application selected.
- 2 Click Force Quit.

The application quits, leaving all other applications open.

If you need to, you can also restart the Finder from this dialog.

Next, restart the computer to make sure the problem is entirely cleared up.

If the problem occurs frequently, choose Help > Help Center from the menu bar at the top of the screen. Search for the word “freeze” to get help for times when the computer freezes or doesn't respond.

If the problem occurs only when you use a particular application, check with the application's manufacturer to see if it's compatible with your computer. To get support and contact information for the software that comes with your MacBook Pro, go to www.apple.com/downloads.

If you know an application is compatible, you might need to reinstall your computer's system software. See “Repairing, Restoring, or Reinstalling Mac OS X Software” on page 54.

If your MacBook Pro freezes during startup, or you see a flashing question mark, or the screen is dark and the sleep indicator light is glowing steadily (not in sleep)

The flashing question mark usually means that the computer can't find the system software on the hard disk or any disks attached to the computer.

- Wait a few seconds. If the computer doesn't soon start up, shut it down by pressing and holding the power (⏻) button for about 8 to 10 seconds. Disconnect all external peripherals and try restarting by pressing the power (⏻) button while holding down the Option key. When your computer starts up, click the hard disk icon, and then click the right arrow. After the computer starts up, open System Preferences and click Startup Disk. Select a local Mac OS X System folder.
- If the problem occurs frequently, you might need to reinstall your computer's system software. See "Repairing, Restoring, or Reinstalling Mac OS X Software" on page 54.

If your MacBook Pro doesn't turn on or start up

Try the following suggestions in order until your computer turns on:

- Make sure the power adapter is plugged into the computer and into a functioning power outlet. Be sure to use the 60W MagSafe Power Adapter that came with your MacBook Pro. If the power adapter stops charging and you don't see the indicator light on the MagSafe connector turn on when you plug in the power cord, try unplugging and replugging the power cord to reset it, or try another power outlet.
- Check whether the battery needs to be recharged. Press the small button on the left side of your computer. You should see one to eight lights indicating the battery's level of charge. If a single indicator light is on, connect your power adapter to recharge. For more information about battery indicator lights, see page 54.

- If the problem persists, close all open documents and quit all applications. Return the computer to its factory settings (while still preserving your files) by pressing the left Shift key, left Option (alt) key, left Control key, and the power (⏻) button simultaneously for five seconds until the computer restarts.
- If you recently installed additional memory, make sure that it is correctly installed and is compatible with your computer. See whether removing it and reinstalling the old memory allows the computer to start up (see page 44).
- Press the power (⏻) button and immediately hold down the Command (⌘), Option, P, and R keys simultaneously until you hear the startup sound a second time to reset the parameter RAM (PRAM).
- If you still can't start up your MacBook Pro, see “Learning More, Service, and Support” on page 64 for information about contacting Apple for service.

If the screen suddenly goes black or your MacBook Pro freezes

Try restarting your MacBook Pro.

- 1 Unplug any devices that are connected to your MacBook Pro, except the power adapter.
- 2 Press the power (⏻) button to restart the system.
- 3 Let the battery charge to at least 10 percent before plugging in any external devices and resuming your work.

To see how much the battery has charged, click the Battery (🔋) status icon in the menu bar or check the battery indicator lights on the left side of your MacBook Pro.

The screen might also darken if you have energy saver features set for the battery.

If an audio device plugged into the audio port isn't working

Unplug the audio device. Choose Apple (🍏) > System Preferences, and open Sound preferences. In the Input pane, specify whether you want the port to be used for Sound Input or Sound Output. Plug the audio device back in.

Note: If you're running Windows on your MacBook Pro, the port supports only audio output.

If you press the battery button, and all battery indicator lights flash five times quickly
Your battery needs to be replaced. Contact an Apple Retail Store or an Apple Authorized Service Provider.

If you press the battery button, and the battery indicator lights flash from left to right and then from right to left, five times in a row

Your battery is not recognized. Contact an Apple Retail Store or an Apple Authorized Service Provider.

Repairing, Restoring, or Reinstalling Mac OS X Software

If you have a problem with your Mac software or hardware, Mac OS X provides repair and restore utilities that may eliminate problems and can even restore your software to its original factory settings. You can access these utilities from the Mac OS X Utilities application, even if your computer isn't starting up correctly.



Use the Mac OS X Utilities application to:

- Restore your software and data from a Time Machine backup.
- Reinstall Mac OS X and Apple applications.
- Restore your computer to its factory settings by erasing its disk and reinstalling Mac OS X and your Apple applications.
- Repair your computer's disk using Disk Utility.

If your computer detects a problem, it opens the Mac OS X Utilities application automatically. You can also open it manually by restarting your computer.

To open the Mac OS X Utilities application:

- Restart your computer while holding down the Command (⌘) and R keys. The Mac OS X Utilities pane appears.

Some utilities in the Mac OS X Utilities application require access to the Internet and the Mac App Store. You may need to make sure your computer is connected to the Internet by using your Ethernet or Wi-Fi network.

To connect by using a Wi-Fi network:

- 1 Choose a network from the Wi-Fi status menu in the upper-right corner of the screen.
- 2 If necessary, type the network password.

To join a closed network, choose Join Other Network. Enter the network's name and password.

Repairing a Disk with Disk Utility

If you have a problem with your computer, or if you start your computer and see the Mac OS X Utilities application, you may need to repair your computer's disk.

- 1 Select Disk Utility in the Mac OS X Utilities pane and click Continue.
- 2 Select the disk or partition in the list on the left, and then click the First Aid tab.
- 3 Click Repair Disk.

If Disk Utility can't repair the disk, back up as much of your information as possible, and then follow the instructions in "Repairing, Restoring, or Reinstalling Mac OS X Software" on page 54.

For information about Disk Utility and its options, see Help Center, or open Disk Utility (in the Utilities folder in Launchpad) and choose Help > Disk Utility Help.

Restoring Information Using a Time Machine Backup

If you previously created a Time Machine backup, use the Restore utility to restore everything on your computer to its previous state.

Use your Time Machine backup to restore information only to the computer that was the source of the backup. If you want to transfer information to a new computer, use Migration Assistant (in the Utilities folder in Launchpad).

- 1 If your backup is on a Time Capsule, make sure you're connected to an Ethernet or Wi-Fi network. (To connect to a Wi-Fi network, follow the instructions on page 56.)
- 2 In the Mac OS X Utilities pane, select Restore From Time Machine Backup and click Continue.
- 3 Select the disk that contains the Time Machine backup, and then follow the onscreen instructions.

Reinstalling Mac OS X and Apple Applications

Under some circumstances, you may need to reinstall Mac OS X and Apple applications. You can reinstall while keeping your files and user settings intact.

- 1 Make sure your MacBook Pro is connected to the Internet by using an Ethernet or Wi-Fi network. (To connect to a Wi-Fi network, follow the instructions on page 56.)
- 2 In the Mac OS X Utilities pane, select Reinstall Mac OS X and click Continue.
- 3 In the pane where you're asked to select a disk, select your current Mac OS X disk (in most cases, it is the only one available).
- 4 To select or deselect optional software, click Customize.
- 5 Click Install.

You can install Mac OS X without erasing the disk, which saves your existing files and settings, or you can erase the disk first, which erases all your data and leaves the computer ready for you to reinstall Mac OS X and Apple applications.

After installing Mac OS X, you can go to the Mac App Store and re-download your Apple applications.

Important: Apple recommends that you back up the data on the disk before restoring software. Apple is not responsible for any lost data.

Restoring Your Computer to Its Factory Settings

When you restore your computer to its factory settings, everything on your computer (your user accounts, network settings, and all of your files and folders) is deleted. Before you restore, back up any files you want to keep by copying them to another disk.

Write down your network settings from Network preferences to make it easier to get connected again after reinstalling Mac OS X.

- 1 Make sure you're connected to the Internet by using an Ethernet or Wi-Fi network. (To connect to a Wi-Fi network, follow the instructions on page 56.)
- 2 In the Mac OS X Utilities pane, select Disk Utility and click Continue.
- 3 Select the disk in the list on the left, and then click the Erase tab.
- 4 Select Mac OS Extended (Journaled) from the Format pop-up menu, type a name for the disk, and then click Erase.
- 5 After the disk is erased, choose Disk Utility > Quit Disk Utility.
- 6 In the Mac OS X Utilities pane, select Reinstall Mac OS X and click Continue.
- 7 To reinstall Mac OS X and your applications, follow the instructions in the Mac OS X Installer.

After restoring Mac OS X and your Apple applications, you can selectively restore your other data and applications from a Time Machine backup.

Using Apple Hardware Test

If you suspect a problem with the MacBook Pro hardware, you can use the Apple Hardware Test application to help determine if there is a problem with one of the computer's components, such as the memory or processor.

To use Apple Hardware Test:

- 1 Disconnect all external devices from your computer except the power adapter. If you have an Ethernet cable connected, disconnect it.
- 2 Restart your MacBook Pro, and press and hold the D key as it starts up.
- 3 When the Apple Hardware Test chooser screen appears, select the language for your location.
- 4 Press the Return key or click the right arrow button.
- 5 When the Apple Hardware Test main screen appears (after about 45 seconds), follow the onscreen instructions.
- 6 If Apple Hardware Test detects a problem, it displays an error code. Make a note of the error code before pursuing support options. If Apple Hardware Test doesn't detect a hardware failure, the problem might be software related.

Problems with Your Internet Connection

Your MacBook Pro has the Network Setup Assistant application to help walk you through setting up an Internet connection. Open System Preferences and click Network. Click the “Assist me” button to open Network Setup Assistant.

If you have trouble with your Internet connection, you can try the steps in this section for your type of connection, or you can use Network Diagnostics.

To use Network Diagnostics:

- 1 Choose Apple (🍏) > System Preferences.
- 2 Click Network and then click “Assist me.”
- 3 Click Diagnostics to open Network Diagnostics.
- 4 Follow the onscreen instructions.

If Network Diagnostics can't resolve the problem, there might be a problem with the Internet service provider (ISP) you are trying to connect to, with an external device you are using to connect to your ISP, or with the server you are trying to access. You can try the following steps.

Cable Modem, DSL, and LAN Internet Connections

Make sure all modem cables are firmly plugged in, including the modem power cord, the cable from the modem to the computer, and the cable from the modem to the wall jack. Also check the cables and power supplies to Ethernet hubs and routers.

Turn off your DSL or cable modem for a few minutes, and then turn it back on. Some ISPs recommend that you unplug the modem's power cord. If your modem has a reset button, you can press it either before or after you turn the power off and on.

Important: Instructions that refer to modems do not apply to LAN users. LAN users might have hubs, switches, routers, or connection pods that DSL and cable modem users do not have. LAN users should contact their network administrator rather than an ISP.

PPPoE Connections

If you are unable to connect to your Internet service provider using PPPoE (Point to Point Protocol over Ethernet), make sure you have entered the correct information in Network preferences.

To check your Network preference settings:

- 1 Choose Apple (🍏) > System Preferences.
- 2 Click Network.
- 3 Click Add (+) at the bottom of the network connection services list, and choose PPPoE from the Interface pop-up menu.
- 4 Choose an Interface for the PPPoE service from the Ethernet pop-up menu. Choose Ethernet if you are connecting to a wired network or Wi-Fi if you are connecting to a wireless network.
- 5 Click Create.
- 6 Enter the information you received from your service provider, such as account name, password, and the PPPoE service name (if your service provider requires it).
- 7 Click Apply to make the settings active.

Network Connections

Make sure the Ethernet cable is plugged into your MacBook Pro and into the network. Check the cables and power supplies to your Ethernet hubs and routers.

If you have two or more computers attempting to share an Internet connection, be sure that your network is set up properly. You need to know whether your ISP provides only one IP address or multiple IP addresses, one for each computer.

If only one IP address is provided, then you must have a router capable of sharing the connection, also known as network address translation (NAT) or “IP masquerading.” For setup information, check the documentation provided with your router or ask the person who set up your network. The AirPort base station can be used to share one IP address among multiple computers. For information about using an AirPort base station, check Help Center or go to the AirPort Support website at www.apple.com/support/airport.

If you can't resolve the issue using these steps, contact your ISP or network administrator.

Problems with Wi-Fi Communication

If you have trouble using Wi-Fi communication:

- Make sure the computer or network you are trying to connect to is running and has a wireless access point.
- Make sure you have properly configured the software according to the instructions that came with your base station or access point.

- Make sure your MacBook Pro is within range of the other computer or the network's access point. Nearby electronic devices or metal structures can interfere with wireless communication and reduce this range. Repositioning or rotating the computer might improve reception.
- Check the Wi-Fi (📶) status icon in the menu bar. Up to four bars appear, indicating signal strength. If you don't see the bars, try changing your location.
- Get help online by choosing Help > Help Center, and then searching for "wi-fi." Also see the instructions that came with the wireless device for more information.

Keeping Your Software Up to Date

You can connect to the Internet and automatically download and install the latest free software versions, drivers, and other enhancements from Apple.

When you're connected to the Internet, Software Update checks to see if any updates are available for your computer. You can set your MacBook Pro to check for updates periodically, and then you can download and install updated software.

To check for updated software:

- 1 Choose Apple (🍏) > System Preferences.
- 2 Click the Software Update icon and follow the onscreen instructions.
 - For more information, search for "Software Update" in Help Center.
 - For the latest information about Mac OS X, go to www.apple.com/macosx.

Learning More, Service, and Support

Your MacBook Pro does not have any user-serviceable parts, except the hard drive and the memory. If you need service, contact Apple or take your MacBook Pro to an Apple Authorized Service Provider. You can find more information about the MacBook Pro through online resources, onscreen help, System Information, or Apple Hardware Test.

Online Resources

For online service and support information, go to www.apple.com/support. Choose your country from the pop-up menu. You can search the AppleCare Knowledge Base, check for software updates, or get help from Apple's discussion forums. The latest product-specific information can be found at www.apple.com/support/macbookpro.

Onscreen Help

You can look for answers to your questions, as well as instructions and troubleshooting information, in Help Center. Choose Help > Help Center.

System Information

To get information about your MacBook Pro, use System Information. It shows you what hardware and software is installed, the serial number and operating system version, how much memory is installed, and more. To open System Information, choose Apple (🍏) > About This Mac from the menu bar and then click More Info.

AppleCare Service and Support

Your MacBook Pro comes with 90 days of technical support and one year of hardware repair warranty coverage at an Apple Retail Store or an Apple-authorized repair center, such as an Apple Authorized Service Provider. You can extend your coverage by purchasing the AppleCare Protection Plan. For information, go to www.apple.com/support/products or the website for your country listed below.

If you need assistance, AppleCare telephone support representatives can help you with installing and opening applications, and basic troubleshooting. Call the support center number nearest you (the first 90 days are complimentary). Have the purchase date and your MacBook Pro serial number ready when you call.

Note: Your 90 days of complimentary telephone support begins on the date of purchase. Telephone fees may apply.

Country	Phone	Website
United States	1-800-275-2273	www.apple.com/support
Australia	(61) 1-300-321-456	www.apple.com/au/support
Canada (English) (French)	1-800-263-3394	www.apple.com/ca/support www.apple.com/ca/fr/support
Ireland	(353) 1850 946 191	www.apple.com/ie/support
New Zealand	00800-7666-7666	www.apple.com/nz/support
United Kingdom	(44) 0844 209 0611	www.apple.com/uk/support

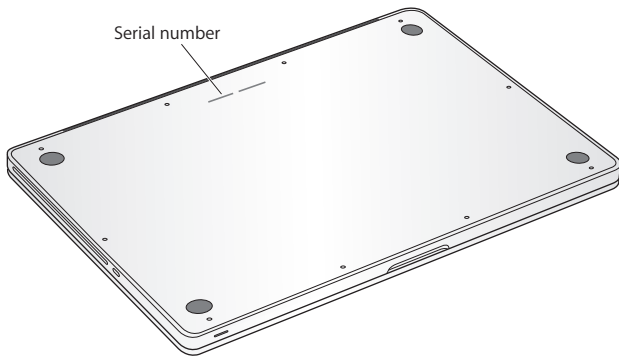
Telephone numbers are subject to change, and local and national telephone rates may apply. A complete list is available on the web:

www.apple.com/support/contact/phone_contacts.html

Locating Your Product Serial Number

Use one of these methods to find your computer's serial number:

- Turn over your MacBook Pro. The serial number is etched into the case near the hinge.



- Choose Apple () > About This Mac. Click the version number beneath the words “Mac OS X” to cycle through the Mac OS X version number, the build version, and the serial number.
- Open System Information in the Utilities folder in Launchpad.

5

Last, but Not Least

www.apple.com/environment

Help Center  ergonomics

For your safety and that of your equipment, follow these rules for handling and cleaning your MacBook Pro and for working more comfortably. Keep these instructions handy for reference by you and others.

NOTICE: Incorrect storage or use of your computer may void the manufacturer's warranty.

Important Safety Information

WARNING: Failure to follow these safety instructions could result in fire, electric shock, or other injury or damage.

Built-in battery Do not remove the battery from your MacBook Pro. The battery should be replaced only by an Apple Authorized Service Provider. Discontinue use of your MacBook Pro if it is dropped or appears crushed, bent, deformed, or damaged. Do not expose your MacBook Pro to extreme heat sources, such as radiators or fireplaces, where temperatures might exceed 212° F or 100° C.

Proper handling The bottom of your MacBook Pro may become very warm during normal use. The MacBook Pro complies with the user-accessible surface temperature limits defined by the International Standard for Safety of Information Technology Equipment (IEC 60950-1).

To operate the computer safely and reduce the possibility of heat-related injuries, follow these guidelines:

- Set up your MacBook Pro on a stable work surface that allows for adequate air circulation under and around the computer.
- Do not operate your MacBook Pro on a pillow, blanket, or other soft material, because the material can block the airflow vents.
- Never place anything over the keyboard when operating your MacBook Pro.
- Do not push objects into the ventilation openings.
- If your MacBook Pro is on your lap and gets uncomfortably warm, remove it from your lap and place it on a stable work surface.

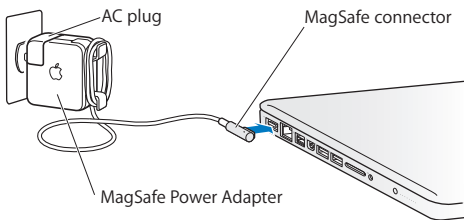
Water and wet locations Keep your MacBook Pro away from sources of liquid, such as drinks, washbasins, bathtubs, shower stalls, and so on. Protect your MacBook Pro from dampness or wet weather, such as rain, snow, and fog.

60W MagSafe Power Adapter Use only the power adapter that came with your MacBook Pro, or an Apple-authorized power adapter that is compatible with this product. Make sure the AC plug or AC power cord is fully inserted into the power adapter before plugging the adapter into a power outlet.

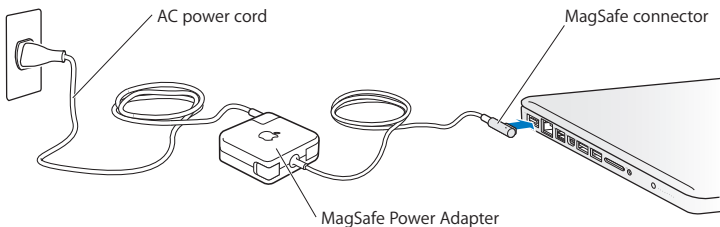
The power adapter may become very warm during normal use. The MagSafe Power Adapter complies with the user-accessible surface temperature limits defined by the International Standard for Safety of Information Technology Equipment (IEC 60950-1).

To reduce the possibility of overheating the power adapter or of heat-related injuries, do one of the following:

- Plug the power adapter directly into a power outlet.



- If you're using the AC power cord, place the power adapter on a desk, table, or on the floor in a well-ventilated location.



Disconnect the power adapter and disconnect any other cables if any of the following conditions exists:

- You want to add memory or upgrade the hard disk drive.
- You want to clean the case (use only the recommended procedure described on page 74).
- The power cord or plug becomes frayed or otherwise damaged.
- Your MacBook Pro or power adapter is exposed to rain, excessive moisture, or liquid spilled into the case.
- Your MacBook Pro or power adapter has been dropped, the case has been damaged, or you suspect that service or repair is required.

The MagSafe power port contains a magnet that can erase data on a credit card, iPod, or other device. To preserve your data, do not place these or other magnetically sensitive material or devices within 1 inch (25 mm) of this port.

If debris gets into the MagSafe power port, remove it gently with a dry cotton swab.

MagSafe power specifications:

- *Frequency:* 50 to 60 Hz, single phase
- *Line Voltage:* 100 to 240 V
- *Output Voltage:* 16.5 V DC, 3.65 A

Hearing damage Permanent hearing loss may occur if earbuds or headphones are used at high volume. You can adapt over time to a higher volume of sound that may sound normal but can be damaging to your hearing. If you experience ringing in your ears or muffled speech, stop listening and have your hearing checked. The louder the volume, the less time is required before your hearing could be affected. Hearing experts suggest that to protect your hearing:

- Limit the amount of time you use earbuds or headphones at high volume.
- Avoid turning up the volume to block out noisy surroundings.
- Turn the volume down if you can't hear people speaking near you.

High-risk activities This computer is not intended for use in the operation of nuclear facilities, aircraft navigation or communications systems, air traffic control systems, or for any other uses where the failure of the computer could lead to death, personal injury, or severe environmental damage.

Laser Information for Optical Disc Drives

WARNING: Making adjustments or performing procedures other than those specified in your equipment's manual may result in hazardous radiation exposure.

The optical disc drive in your computer contains a laser that is safe in normal use but that may be harmful to your eyes if disassembled. For your safety, have this equipment serviced only by an Apple Authorized Service Provider.

Important Handling Information

NOTICE: Failure to follow these handling instructions could result in damage to your MacBook Pro or other property.

Operating environment Operating your MacBook Pro outside these ranges may affect performance:

- *Operating temperature:* 50° to 95° F (10° to 35° C)
- *Storage temperature:* -4° to 113° F (-20° to 45° C)
- *Relative humidity:* 5% to 90% (noncondensing)
- *Operating altitude:* 0 to 10,000 feet (0 to 3048 meters)

Turning on your MacBook Pro Never turn on your MacBook Pro unless all of its internal and external parts are in place. Operating the computer when parts are missing may be dangerous and may damage your computer.

Carrying your MacBook Pro If you carry your MacBook Pro in a bag or briefcase, make sure that there are no loose items (such as paper clips or coins) that could accidentally get inside the computer through vent openings or the optical drive slot or get stuck inside a port. Also, keep magnetically sensitive items away from the MagSafe power port.

Using connectors and ports Never force a connector into a port. When connecting a device, make sure the port is free of debris, that the connector matches the port, and that you have positioned the connector correctly in relation to the port.

Using the optical drive The SuperDrive in your MacBook Pro supports standard 12 cm (4.7 inch) discs. Irregularly shaped discs or discs smaller than 12 cm (4.7 inches) are not supported and can become lodged in the drive.

Handling glass parts Your MacBook Pro contains glass components, including the display and trackpad. If they are damaged, don't use your MacBook Pro until it has been repaired by an Apple Authorized Service Provider.

Storing your MacBook Pro If you are going to store your MacBook Pro for an extended period of time, keep it in a cool location (ideally, 71° F or 22° C) and discharge the battery to 50 percent or less. When storing your MacBook Pro for longer than five months, discharge the battery to approximately 50 percent. To maintain the capacity of the battery, recharge the battery to 50 percent every six months or so.

Cleaning your MacBook Pro When cleaning the outside of your MacBook Pro and its components, first shut down your MacBook Pro and unplug the power adapter. Then use a damp, soft, lint-free cloth to clean the computer's exterior. Avoid getting moisture in any openings. Do not spray liquid directly on the computer. Do not use aerosol sprays, solvents, or abrasives that might damage the finish.

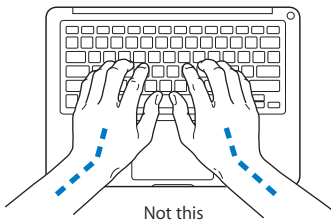
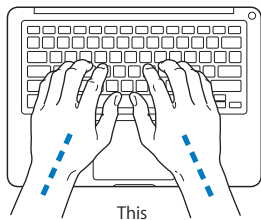
Cleaning the MacBook Pro screen To clean the MacBook Pro screen, first shut down your MacBook Pro and unplug the power adapter. Then dampen the included cleaning cloth with just water and wipe the screen. Do not spray liquid directly on the screen.

Understanding Ergonomics

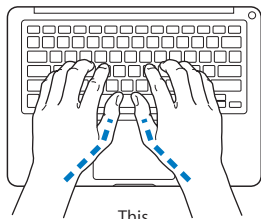
Here are some tips for setting up a healthy work environment.

Keyboard and Trackpad

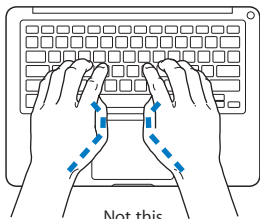
When you use the keyboard and trackpad, your shoulders should be relaxed. Your upper arm and forearm should form an angle that is slightly greater than a right angle, with your wrist and hand in roughly a straight line.



Use a light touch when typing or using the trackpad and keep your hands and fingers relaxed. Avoid rolling your thumbs under your palms.



This



Not this

Change hand positions often to avoid fatigue. Some computer users might develop discomfort in their hands, wrists, or arms after intensive work without breaks. If you begin to develop chronic pain or discomfort in your hands, wrists, or arms, consult a qualified health specialist.

External Mouse

If you use an external mouse, position the mouse at the same height as the keyboard and within comfortable reach.

Chair

An adjustable chair that provides firm, comfortable support is best. Adjust the height of the chair so your thighs are horizontal and your feet are flat on the floor. The back of the chair should support your lower back (lumbar region). Follow the manufacturer's instructions for adjusting the backrest to fit your body properly.

You might have to raise your chair so that your forearms and hands are at the proper angle to the keyboard. If this makes it impossible to rest your feet flat on the floor, you can use a footrest with adjustable height and tilt to make up for any gap between the floor and your feet. Or you can lower the desktop to eliminate the need for a footrest. Another option is to use a desk with a keyboard tray that's lower than the regular work surface.

Built-in Display

Adjust the angle of the display to optimize viewing in your environment. Do not force the display if you meet resistance. The display is not meant to open past 130 degrees.

You can adjust the brightness of the screen when you take the computer from one work location to another, or if the lighting in your work area changes.

More information about ergonomics is available on the web:

www.apple.com/about/ergonomics

Apple and the Environment

Apple Inc. recognizes its responsibility to minimize the environmental impacts of its operations and products.

More information is available on the web:

www.apple.com/environment

Regulatory Compliance Information

FCC Compliance Statement

This device complies with part 15 of the FCC rules. Operation is subject to the following two conditions: (1) This device may not cause harmful interference, and (2) this device must accept any interference received, including interference that may cause undesired operation. See instructions if interference to radio or television reception is suspected.

L'utilisation de ce dispositif est autorisée seulement aux conditions suivantes: (1) il ne doit pas produire de brouillage et (2) l'utilisateur du dispositif doit être prêt à accepter tout brouillage radioélectrique reçu, même si ce brouillage est susceptible de compromettre le fonctionnement du dispositif.

Radio and Television Interference

This computer equipment generates, uses, and can radiate radio-frequency energy. If it is not installed and used properly—that is, in strict accordance with Apple's instructions—it may cause interference with radio and television reception.

This equipment has been tested and found to comply with the limits for a Class B digital device in accordance with the specifications in Part 15 of FCC rules. These specifications are designed to provide reasonable protection against such interference in a residential installation. However, there is no guarantee that interference will not occur in a particular installation.

You can determine whether your computer system is causing interference by turning it off. If the interference stops, it was probably caused by the computer or one of the peripheral devices.

If your computer system does cause interference to radio or television reception, try to correct the interference by using one or more of the following measures:

- Turn the television or radio antenna until the interference stops.
- Move the computer to one side or the other of the television or radio.
- Move the computer farther away from the television or radio.
- Plug the computer into an outlet that is on a different circuit from the television or radio. (That is, make certain the computer and the television or radio are on circuits controlled by different circuit breakers or fuses.)

If necessary, consult an Apple Authorized Service Provider or Apple. See the service and support information that came with your Apple product. Or consult an experienced radio/television technician for additional suggestions.

Important: Changes or modifications to this product not authorized by Apple Inc. could void the EMC compliance and negate your authority to operate the product.

This product has demonstrated EMC compliance under conditions that included the use of compliant peripheral devices and shielded cables (including Ethernet network cables) between system components. It is important that you use compliant peripheral devices and shielded cables between system components to reduce the possibility of causing interference to radios, television sets, and other electronic devices.

Responsible party (contact for FCC matters only):

Apple Inc. Corporate Compliance
1 Infinite Loop, MS 26-A
Cupertino, CA 95014

Wireless Radio Use

This device is restricted to indoor use when operating in the 5.15 to 5.25 GHz frequency band.

Cet appareil doit être utilisé à l'intérieur.

この製品は、周波数帯域 5.18 ~ 5.32 GHz で動作しているときは、屋内においてのみ使用可能です。

Exposure to Radio Frequency Energy

The radiated output power of the Wi-Fi technology is below the FCC radio frequency exposure limits. Nevertheless, it is advised to use the wireless equipment in such a manner that the potential for human contact during normal operation is minimized.

FCC Bluetooth Wireless Compliance

The antenna used with this transmitter must not be colocated or operated in conjunction with any other antenna or transmitter subject to the conditions of the FCC Grant.

Canadian Compliance Statement

This device complies with Industry Canada license-exempt RSS standard(s). Operation is subject to the following two conditions: (1) this device may not cause interference, and (2) this device must not accept any interference, including interference that may cause undesired operation of the device.

Cet appareil est conforme aux normes CNR exemptes de licence d'Industrie Canada. Le fonctionnement est soumis aux deux conditions suivantes : (1) cet appareil ne doit pas provoquer d'interférences et (2) cet appareil doit accepter toute interférence, y compris celles susceptibles de provoquer un fonctionnement non souhaité de l'appareil.

Bluetooth Industry Canada Statement

This Class B device meets all requirements of the Canadian interference-causing equipment regulations.

Cet appareil numérique de la Class B respecte toutes les exigences du Règlement sur le matériel brouilleur du Canada.

Industry Canada Statement

Complies with the Canadian ICES-003 Class B specifications. Cet appareil numérique de la classe B est conforme à la norme NMB-003 du Canada. This device complies with RSS 210 of Industry Canada.

Bluetooth Europe—EU Declaration of Conformity

This wireless device complies with the R&TTE Directive.

Europe—EU Declaration of Conformity



Български Apple Inc. декларира, че това MacBook Pro е в съответствие със съществените изисквания и другите приложими правила на Директива 1999/5/EC.

Česky Společnost Apple Inc. tímto prohlašuje, že tento MacBook Pro je ve shodě se základními požadavky a dalšími příslušnými ustanoveními směrnice 1999/5/ES.

Dansk Undertegnede Apple Inc. erklærer herved, at følgende udstyr MacBook Pro overholder de væsentlige krav og øvrige relevante krav i direktiv 1999/5/EF.

Deutsch Hiermit erkläre Apple Inc., dass sich das MacBook Pro in Übereinstimmung mit den grundlegenden Anforderungen und den übrigen einschlägigen Bestimmungen der Richtlinie 1999/5/EG befindet.

Eesti Käesolevaga kinnitab Apple Inc., et see MacBook Pro vastab direktiivi 1999/5/EÜ põhinõuetele ja nimetatud direktiivist tulenevatele teistele asjakohastele sätetele.

English Hereby, Apple Inc. declares that this MacBook Pro is in compliance with the essential requirements and other relevant provisions of Directive 1999/5/EC.

Español Por medio de la presente Apple Inc. declara que este MacBook Pro cumple con los requisitos esenciales y cualesquiera otras disposiciones aplicables o exigibles de la Directiva 1999/5/CE.

Ελληνικά Με την παρούσα, η Apple Inc. δηλώνει ότι αυτή η συσκευή MacBook Pro συμμορφώνεται προς τις βασικές απαιτήσεις και τις λοιπές σχετικές διατάξεις της Οδηγίας 1999/5/ΕΚ.

Français Par la présente Apple Inc. déclare que l'appareil MacBook Pro est conforme aux exigences essentielles et aux autres dispositions pertinentes de la directive 1999/5/CE.

Íslenska Apple Inc. lýsir því hér með yfir að þetta tæki MacBook Pro fullnægir lágmarkskröfum og öðrum viðeigandi ákvæðum Evróputilskipunar 1999/5/EC.

Italiano Con la presente Apple Inc. dichiara che questo dispositivo MacBook Pro è conforme ai requisiti essenziali ed alle altre disposizioni pertinenti stabilite dalla direttiva 1999/5/CE.

Latviski Ar šo Apple Inc. deklarē, ka MacBook Pro ierīce atbilst Direktīvas 1999/5/EK būtiskajām prasībām un citiem ar to saistītajiem noteikumiem.

Lietuvių Šiuo „Apple Inc.“ deklaruoja, kad šis MacBook Pro atitinka esminius reikalavimus ir kitas 1999/5/EB Direktyvos nuostatas.

Magyar Alulírott, Apple Inc. nyilatkozom, hogy a MacBook Pro megfelel a vonatkozó alapvető követelményeknek és az 1999/5/EC irányelv egyéb előírásainak.

Malti Hawnehkk, Apple Inc., jiddikjara li dan MacBook Pro jikkonforma mal-htigijiet essenzjali u ma provvedimenti oħraġ relevanti li hemm fid-Direttiva 1999/5/EC.

Nederlands Hierbij verklaart Apple Inc. dat het toestel MacBook Pro in overeenstemming is met de essentiële eisen en de andere bepalingen van richtlijn 1999/5/EG.

Norsk Apple Inc. erklærer herved at dette MacBook Pro -apparatet er i samsvar med de grunnleggende kravene og øvrige relevante krav i EU-direktivet 1999/5/EF.

Polski Niniejszym Apple Inc. oświadczam, że ten MacBook Pro są zgodne z zasadniczymi wymogami oraz pozostałymi stosownymi postanowieniami Dyrektywy 1999/5/CE.

Português Apple Inc. declara que este dispositivo MacBook Pro está em conformidade com os requisitos essenciais e outras disposições da Directiva 1999/5/CE.

Română Prin prezenta, Apple Inc. declară că acest aparat MacBook Pro este în conformitate cu cerințele esențiale și cu celelalte prevederi relevante ale Directivei 1999/5/CE.

Slovensko Apple Inc. izjavlja, da je ta MacBook Pro skladne z bistvenimi zahtevami in ostalimi ustreznimi določili direktive 1999/5/ES.

Slovensky Apple Inc. týmto vyhlasuje, že toto MacBook Pro spĺňa základné požiadavky a všetky príslušné ustanovenia Smernice 1999/5/ES.

Suomi Apple Inc. vakuuttaa täten, että tämä MacBook Pro tyyppinen laite on direktiivin 1999/5/EY oleellisten vaatimusten ja sitä koskevien direktiivin muiden ehtojen mukainen.

Svenska Härmed intygar Apple Inc. att denna MacBook Pro står i överensstämmelse med de väsentliga egenskapskrav och övriga relevanta bestämmelser som framgår av direktiv 1999/5/EG.

A copy of the EU Declaration of Conformity is available at: www.apple.com/euro/compliance

This equipment can be used in the following countries:

AT	BG	BE	CY	CZ	DK	EE	FI	FR	DE	GR	HU
IE	IT	LV	LT	LU	MT	NL	PL	PT	RO	SK	SL
ES	SE	GB	IS	LI	NO	CH					

Korea Warning Statements

대한민국 규정 및 준수

방통위고시에 따른 고지사항
해당 무선설비는 운용 중 전파혼신 가능성이 있음,
이 기기는 인명안전과 관련된 서비스에 사용할 수 없습니다.

B급 기기(가정용 방송통신기자재)
이 기기는 가정용(B급) 전자파합격기로서 주로
가정에서 사용하는 것을 목적으로 하며, 모든 지
역에서 사용할 수 있습니다.

Singapore Wireless Certification

Complies with
IDA Standards
DB00063

Taiwan Wireless Statements

無線設備の警告聲明

經型式認證合格之低功率射頻電機，非經許可，公司、商號或使用者均不得擅自變更頻率、加大功率或變更原設計之特性及功能。低功率射頻電機之使用不得影響飛航安全及干擾合法通信；經發現有干擾現象時，應立即停用，並改善至無干擾時方得繼續使用。前項合法通信指依電信法規定作業之無線電通信。低功率射頻電機須遵守合法通信或工業、科學及醫療用電波輻射性電機設備之干擾。

如有這 頻率:

於 5.25GHz 至 5.35GHz 區域內操作之
無線設備的警告聲明

工作頻率 5.250 ~ 5.350GHz 該頻段限於室內使用。

警告

本電池如果更換不正確會有爆炸的危險

請依製造商說明書處理用過之電池

Taiwan Class B Statement

Class B 設備的警告聲明

NIL

Japan VCCI Class B Statement

情報処理装置等電波障害自主規制について

この装置は、情報処理装置等電波障害自主規制協議会 (VCCI) の基準に基づくクラス B 情報技術装置です。この装置は家庭環境で使用されることを目的としていますが、この装置がラジオやテレビジョン受信機に近接して使用されると、受信障害を引き起こすことがあります。

取扱説明書に従って正しい取扱をしてください。



ME67

External USB Modem Information

When connecting your MacBook Pro to the phone line using an external USB modem, refer to the telecommunications agency information in the documentation that came with your modem.

ENERGY STAR® Compliance



As an ENERGY STAR® partner, Apple has determined that standard configurations of this product meet the ENERGY STAR® guidelines for energy efficiency. The ENERGY STAR® program is a partnership with electronic equipment manufacturers to promote energy-efficient products. Reducing energy consumption of products saves money and helps conserve valuable resources.

This computer is shipped with power management enabled with the computer set to sleep after 10 minutes of user inactivity. To wake your computer, click the mouse or trackpad or press any key on the keyboard.

For more information about ENERGY STAR®, visit:
www.energystar.gov

Disposal and Recycling Information



This symbol indicates that your product must be disposed of properly according to local laws and regulations. When your product reaches its end of life, contact Apple or your local authorities to learn about recycling options.

For information about Apple's recycling program, go to
www.apple.com/environment/recycling.

European Union—Disposal Information



The symbol above means that according to local laws and regulations your product should be disposed of separately from household waste. When this product reaches its end of life, take it to a collection point designated by local authorities. Some collection points accept products for free. The separate collection and recycling of your product at the time of disposal will help conserve natural resources and ensure that it is recycled in a manner that protects human health and the environment.

Türkiye

EEE yönetmeliğine (Elektrikli ve Elektronik Eşyalarda Bazı Zararlı Maddelerin Kullanımının Sınırlanmasına Dair Yönetmelik) uygundur.

Brasil: Informações sobre descarte e reciclagem



O símbolo acima indica que este produto e/ou sua bateria não devem ser descartadas no lixo doméstico. Quando decidir descartar este produto e/ou sua bateria, faça-o de acordo com as leis e diretrizes ambientais locais. Para informações sobre o programa de reciclagem da Apple, pontos de coleta e telefone de informações, visite www.apple.com/br/environment.

Battery Disposal Information

Dispose of batteries according to your local environmental laws and guidelines.

Deutschland: Dieses Gerät enthält Batterien. Bitte nicht in den Hausmüll werfen. Entsorgen Sie dieses Gerät am Ende seines Lebenszyklus entsprechend der maßgeblichen gesetzlichen Regelungen.

Nederlands: Gebruikte batterijen kunnen worden ingeleverd bij de chemokar of in een speciale batterijcontainer voor klein chemisch afval (kca) worden gedeponeerd.

台灣



廢電池請回收

China Battery Statement

警告：不要刺破或焚燒。該電池不含水銀。

Taiwan Battery Statement

警告：請勿刺破或焚燒。此電池不含汞。

中国

有毒或 有害物质	零部件				
	电路板	显示屏	电池组	附件	电源 适配器
铅 (Pb)	X	X	X	X	X
汞 (Hg)	0	0	0	0	0
镉 (Cd)	0	0	0	0	0
六价铬 (Cr, VI)	0	0	0	0	0
多溴联苯 (PBB)	0	0	0	0	0
多溴二苯醚 (PBDE)	0	0	0	0	0

0: 表示该有毒有害物质在该部件所有均质材料中的含量均在 SJ/T 11363-2006 规定的限量要求以下。

X: 表示该有毒有害物质至少在该部件的某一均质材料中的含量超出 SJ/T 11363-2006 规定的限量要求。

根据中国电子行业标准 SJ/T11364-2006 和相关的中国政府法规，本产品及其某些内部或外部组件上可能带有环保使用期限标识。取决于组件和组件制造商，产品及其组件上的使用期限标识可能有所不同。组件上的使用期限标识优先于产品上任何与之相冲突的或不同的环保使用期限标识。



Looking for Something?

Index

A

- AC plug 10
- AC power adapter. *See* power adapter
- AC power cord 10
- adapter, power. *See* power adapter
- AppleCare 65
- Apple Hardware Test 59
- Apple Remote 21
- application freeze 51
- applications
 - FaceTime 21
 - iChat 21
 - iLife 32
 - Keynote 21
 - Migration Assistant 13
 - Photo Booth 21
- audio out port 25

B

- battery
 - disposal 82
 - general information 30
 - indicator lights 21, 30, 54
 - location 21
 - performance 30

- storing 74
- blinking question mark 52
- brightness keys 23
- built-in battery 30
- built-in speakers 21
- button, power 12, 21

C

- cable modem 11
- camera 21
- camera indicator light 21
- carrying your computer 73
- changing
 - System Preferences 15
 - the desktop 15
- checking memory 48
- cleaning
 - the screen 74
 - your computer 74
- computer
 - disposal 82
 - freezes 52
 - inventory 9
 - putting to sleep 16
 - shutting down 17
 - specifications 33
 - turning on 12
 - won't turn on 52

- connecting to a network 11
- conserving battery power 30
- Control-click 27
- controls. *See* keys
- cord, AC power 10

D

- data transfer 25
- desktop, customizing 15
- discs
 - supported types 74
- display, external 25
 - See also* screen
- disposing of batteries 82
- disposing of your computer 82
- Dock 31
- downloading software 63
- drive, optical 21
- DSL modem 11

E

- Energy Saver preferences 30
- environmental impact 77
- ergonomics 75
- Ethernet
 - connecting to 11
 - port 25

F

- F1 to F12 function keys 23
- FaceTime application 21
- FaceTime HD camera 21
- Fast-forward key 23
- FireWire
 - connections 33
 - port 25
- flashing question mark 52
- Force Quit 51
- four-finger pinching 29
- frozen application 51
- function (fn) key 23

G

- gestures, trackpad 26

H

- hand positions 75
- hard disk drive 37
- Help Center 31
- Help, finding answers 31, 64
- high-speed data transfer 25
- high-speed USB 25

I

- iChat application 21
- iLife applications 32
- infrared receiver (IR) 21
- installation instructions 8
- installing
 - hard disk drive 37
 - memory 44

Internet

- connecting to 11
- connection problems 60
- inventory of items 9
- IP address, sharing 62
- IP masquerading 62

K

- keyboard
 - ergonomics 75
 - features 22
 - illumination keys 23
 - media keys 23
 - shortcuts 27
 - See also* keys
- Keynote application 21
- keys
 - brightness 23
 - function (fn) 23
 - keyboard illumination 23
 - Launchpad 23
 - media 23
 - Media Eject 23
 - Mission Control 23
 - mute 23
 - volume 23

L

- Launchpad key 23
- lights
 - battery 21, 30, 54
 - sleep indicator 21

M

- Mac App Store 33
- Mac OS X
 - website 32
- Mac OS X Utilities
 - application 13
- MagSafe power adapter.
 - See* power adapter
- MagSafe power port 10, 25
- Media Eject key 23
- media keys 23
- memory
 - checking 48
 - installing 44
 - specifications 44
- microphone 21
- Migration Assistant 13
- Mini DisplayPort
 - technology 25
- Mission Control key 23
- modem 11
- mouse
 - connect to USB port 25
 - ergonomics 76
 - See also* trackpad
- Multi-Touch gestures 26
- mute key 23

N

network

- address translation (NAT) 62
- connections 62
- diagnostics 60

Network Setup Assistant 60

number, serial 66

O

online resources 64

optical drive

- about 21
- supported disc size 74

P

password, resetting 16

Photo Booth application 21

pinching to zoom 28

Play/Pause key 23

plug, AC 10

ports on MacBook Pro 25

power adapter

- port 25
- safety tips 69
- using 10

power button 12, 21

power cord 10

PPPoE connections 61

preferences. *See* System Preferences

problems. *See* troubleshooting

putting your computer to sleep 16

Q

question mark, flashing 52

R

RAM. *See* memory

resetting password 16

Rewind key 23

right-clicking 27

rotating objects using trackpad 28

S

safety

- general instructions 68
- handling information 73
- power adapter 69

screen

- cleaning 74
- goes black 53
- setting brightness 23

scrolling with two fingers 26

SD card slot 25

SDRAM specifications 44

secondary-clicking 27

security slot 21

Serial ATA (SATA) hard drive 37

serial number, locating 66

service and support 65

Setup Assistant 13

shutting down 17

sleep

- indicator light 21
- mode 16

slot-loading optical drive 21

software

- updating 63
- Software Update preferences 63

speakers 21

specifications

- computer 33
- hard disk drive 37
- memory 44

SSD drive. *See* hard disk drive

Startup Disk preferences 52

stopping

- an application 51
- the computer 17

storing the computer 74

SuperDrive

- about 21
- supported disc sizes 74
- support, technical 65

swiping to move quickly

through documents 29

System Information 64

System Preferences

- customizing the desktop 15
- Energy Saver 16, 30
- Software Update 63
- Startup Disk 52

T

- three-finger swiping 29
- Thunderbolt port 25
- trackpad
 - about 21
 - gestures 26
- troubleshooting
 - AppleCare 65
 - application freezes 51
 - battery indicator lights 54
 - computer freezes 51
 - computer won't turn on 52
 - display goes black 53
 - hardware problems 59
 - Internet connection 60
 - pointer won't move 51
 - PPPoE connections 61
 - screen goes black 53
 - service and support 64
 - using Help Center 31
 - Wi-Fi 62
- turning on your computer 12
- two-finger pinching 28
- two-finger rotating 28
- two-finger scrolling 26
- typing position 75

U

- updating software 63
- USB
 - connections 33
 - ports 25

V

- video camera 21
- video camera indicator light 21
- video port 25
- volume keys 23

W

- waking your computer 17
- Wi-Fi
 - connecting wirelessly 11
 - troubleshooting 62

Z

- zooming using the trackpad 28

 Apple Inc.

© 2011 Apple Inc. All rights reserved.

Under the copyright laws, this manual may not be copied, in whole or in part, without the written consent of Apple.

Every effort has been made to ensure that the information in this manual is accurate. Apple is not responsible for printing or clerical errors.

Apple
1 Infinite Loop
Cupertino, CA 95014
408-996-1010
www.apple.com

The Apple logo is a trademark of Apple Inc., registered in the U.S. and other countries. Use of the “keyboard” Apple logo (Option-Shift-K) for commercial purposes without the prior written consent of Apple may constitute trademark infringement and unfair competition in violation of federal and state laws.

Apple, the Apple logo, AirPort, FaceTime, Finder, FireWire, GarageBand, iChat, iLife, iMovie, iPhone, iPhoto, iPod, iPod touch, iTunes, Keynote, Mac, MacBook, Mac OS, MagSafe, Photo Booth, Safari, Spaces, Spotlight, SuperDrive, Time Capsule, and Time Machine are trademarks of Apple Inc., registered in the U.S. and other countries.

The FireWire logo, iPad, and Multi-Touch are trademarks of Apple Inc.

Apple, AppleCare, Apple Store, and iTunes Store are service marks of Apple Inc., registered in the U.S. and other countries.

App Store is a service mark of Apple Inc.

ENERGY STAR® is a U.S. registered trademark.

Thunderbolt and the Thunderbolt logo are trademarks of Intel Corp. in the U.S. and other countries.

The Bluetooth® word mark and logos are registered trademarks owned by Bluetooth SIG, Inc. and any use of such marks by Apple Inc. is under license.

Other company and product names mentioned herein are trademarks of their respective companies. Mention of third-party products is for informational purposes only and constitutes neither an endorsement nor a recommendation. Apple assumes no responsibility with regard to the performance or use of these products.

Manufactured under license from Dolby Laboratories. “Dolby,” “Pro Logic,” and the double-D symbol are trademarks of Dolby Laboratories. Confidential Unpublished Works, © 1992–1997 Dolby Laboratories, Inc. All rights reserved.

Simultaneously published in the United States and Canada.