

Congratulations, you and your Mac Pro
were made for each other.

Say hello to your Mac Pro

www.apple.com/macpro



Finder

Browse your files like you browse your music with Cover Flow.

Mac Help



Mail

Manage all your email accounts in one place.

Mac Help



iCal and Address Book

Keep your schedule and your contacts in sync.

Mac Help



Mac OS X Leopard

www.apple.com/macosex



Time Machine

Automatically back up and restore your files.

Mac Help

 time machine



Quick Look

Instantly preview your files.

Mac Help

 quick look



Spotlight

Find anything on your Mac.

Mac Help

 spotlight



Safari

Experience the web with the fastest browser in the world.

Mac Help

 safari

iLife '09

www.apple.com/ilife



iPhoto

Organize and search your photos by faces, places, or events.

iPhoto Help

 photos



iMovie

Make a great-looking movie in minutes or edit your masterpiece.

iMovie Help

 movie



GarageBand

Learn to play. Start a jam session. Record and mix your own song.

GarageBand Help

 record



iWeb

Create custom websites and publish them anywhere with a click.

iWeb Help

 website

Contents

Chapter 1: Ready, Set Up, Go

- 11 Setting Up Your Mac Pro
- 19 Putting Your Mac Pro to Sleep or Shutting It Down

Chapter 2: Life with Your Mac Pro

- 22 Basic Features on the Front of Your Mac Pro
- 24 Features of Your Apple Keyboard
- 26 Ports and Connectors on the Back of Your Mac Pro
- 28 More Ports and Connectors on the Back
- 30 Internal Expansion Options
- 32 Getting Answers

Chapter 3: Making a Good Thing Better

- 37 Opening the Mac Pro
- 41 Installing Memory
- 59 Installing Internal Storage Devices
- 69 Adding PCI Express Cards
- 74 Replacing the Internal Backup Battery

Chapter 4: Problem, Meet Solution

- 78 Problems with Your Mac Pro
- 81 Problems with Software
- 82 Keeping Your Software Up to Date
- 82 Problems with AirPort Wireless Communication
- 83 Problems with Your Display
- 86 Problems with Your Internet Connection
- 89 Using Apple Hardware Test
- 90 Reinstalling the Software That Came with Your Mac Pro
- 91 Maximizing Ethernet Performance
- 92 Learning More, Service, and Support
- 94 Locating Your Serial Number

Chapter 5: What's Under the Hood

- 96 Specifications

Chapter 6: Last, but Not Least

- 106 Important Safety Information
- 107 General Maintenance
- 109 Understanding Ergonomics
- 112 Apple and the Environment
- 113 Regulatory Compliance Information

Looking for Something?

120 Index

1

Ready, Set Up, Go

www.apple.com/macpro

Mac Help  Migration Assistant

Your Mac Pro features the latest computer technology, including advanced multicore processor technology, high-speed memory, PCI Express graphics and expansion slots, and internal storage, all in an anodized aluminum chassis with easy access to internal components.

WARNING: To avoid injury, read all the installation instructions (and the safety information starting on page 106) carefully before you first use your Mac Pro.

Make sure you look over the information in Chapter 2, “Life with Your Mac Pro,” to find out about the new features of this Mac Pro.

Many answers to questions can be found on your Mac Pro in Mac Help. For information about Mac Help, see “Getting Answers” on page 32.

Setting Up Your Mac Pro

Your Mac Pro is designed so that you can set it up quickly and start using it right away. Follow the steps on the next few pages to get started.

Step 1: Position your Mac Pro and display.

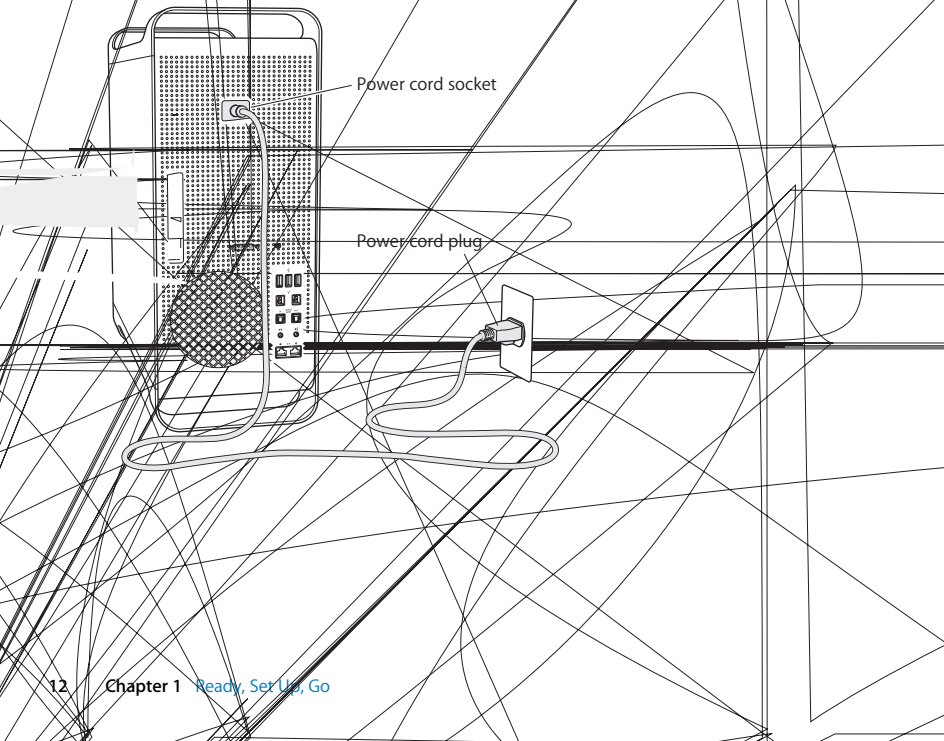
Pick up your Mac Pro by both of its handles using correct lifting techniques. Use correct lifting techniques when positioning your display as well. Position your Mac Pro and display so that:

- They are each on a sturdy, flat surface
- The power cable connectors don't press against a wall or other object
- The airflow in front of, behind, and below your Mac Pro and the display is not obstructed
- The computer's optical drive trays have space to open in front

The only way to shut off power completely to your Mac Pro and display is to disconnect their power plugs from the power source. Make sure the power cords for your Mac Pro and display are within easy reach so that you can unplug them.

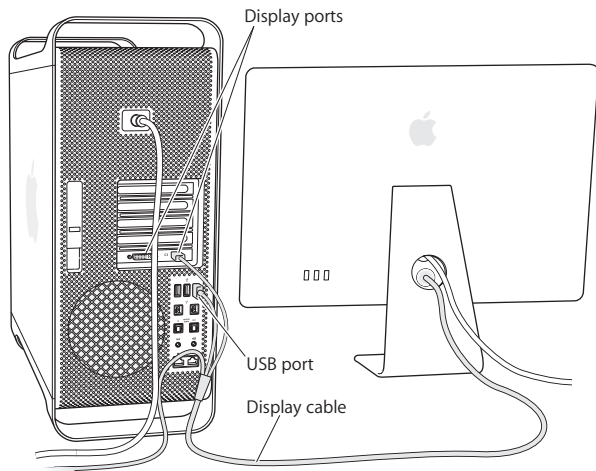
Step 2: Plug in the power cord.

Plug the power cord completely into the recessed power cord socket on the back of your Mac Pro and plug the other end into a grounded outlet or a grounded power strip.



Step 3: Connect the display.

Connect your display as shown in the illustration below. Depending on the display, you may have one or more cables to connect. Check the instructions that came with the display for additional setup information.



You can connect displays with Mini DisplayPort or Digital Visual Interface (DVI) connectors to the display ports on the back of your Mac Pro. The DVI port is a dual-link port, so you can connect a 30-inch Apple Cinema HD Display.



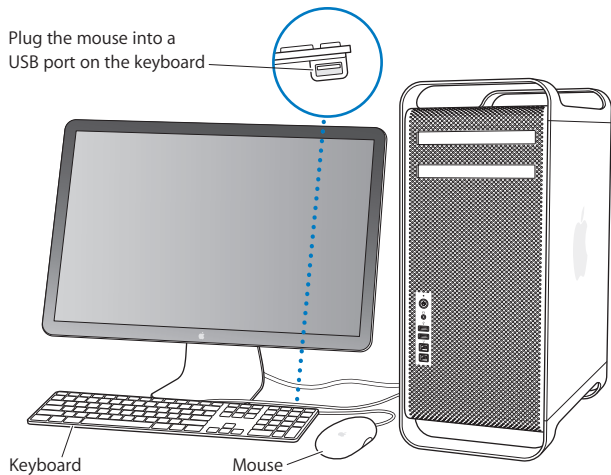
You can also connect displays that have an Apple Display Connector (ADC) or a video graphics array (VGA) connector using one of the following adapters:

- To connect a VGA display to the DVI port or the Mini DisplayPort, use the Apple DVI to VGA Display Adapter or the Apple Mini DisplayPort to VGA Adapter (both available separately).
- To connect an ADC display to the DVI port, use an Apple DVI to ADC Display Adapter (available separately).

Display adapters and other accessories for your Mac Pro are sold separately at www.apple.com/store.

Step 5: Connect the USB cable from your keyboard and mouse.

Connect the keyboard cable to one of the USB (Ψ) ports on your Mac Pro or on the display. Plug the mouse cable into a USB port on the keyboard.



If the keyboard cable isn't long enough, use the keyboard extension cable that came with your Mac Pro.



Apple keyboard extension cable

If you purchased an Apple Wireless Keyboard or Mouse, follow the instructions that came with the keyboard and mouse to set them up.

Step 6: Turn on your Mac Pro.

Press the power (⏻) button on the front of your Mac Pro to turn it on. If your display must be turned on separately, turn it on by pressing its power button.

Step 7: Configure your Mac Pro with Setup Assistant.

The first time you turn on your Mac Pro, Setup Assistant starts. Setup Assistant helps you enter your Internet and email information and set up a user account on your Mac Pro. If you already have a Mac, Setup Assistant can help you automatically transfer user accounts, files, applications, and other information from your previous Mac using a FireWire, Ethernet, or wireless connection.

If you don't intend to keep or use your other Mac, it's best to deauthorize it from playing music, videos, or audiobooks that you've purchased from the iTunes Store. Deauthorizing a computer prevents any songs, videos, or audiobooks you've purchased from being played by someone else and frees up another authorization for use. For information about deauthorizing, choose iTunes Help from the Help menu in iTunes.

If you don't use Setup Assistant to transfer information when you first start up, you can do it later using Migration Assistant. Go to the Applications folder, open Utilities, and double-click Migration Assistant.

Step 8: Customize Your Desktop and Set Your Preferences.

You can easily make your desktop look the way you want using System Preferences. Choose Apple (🍏) > System Preferences from the menu bar or click the System Preferences icon in the Dock. System Preferences is your command center for most settings on your Mac Pro. For more information, open Mac Help and search for “System Preferences” or for the specific preference you want to change.

Need Help Setting Up?

If you don't see anything on your screen or you think your Mac Pro didn't start up properly, check the following:

- Is your Mac Pro plugged into a power source? If it's plugged into a power strip, is the power strip turned on?
- Is the power cord securely plugged into the back of your Mac Pro?
- Are the keyboard and display cables connected correctly?
- Are the brightness and contrast of the display adjusted correctly? If the display has brightness controls, adjust them. If the display has a power button, make sure the display is turned on.
- If you still don't see anything on your screen, restart your Mac Pro. Press and hold the power (⏻) button on your Mac Pro for 5 or 6 seconds, until it turns off. Press the power (⏻) button again to restart.

- If you see a blinking question mark on the screen or a series of flashes from the status light, see Chapter 4, “Problem, Meet Solution,” on page 77.

Putting Your Mac Pro to Sleep or Shutting It Down

When you finish working, you can put your Mac Pro to sleep or shut it down.

Putting Your Mac Pro to Sleep

If you'll be away from your Mac Pro for only a short time, put it to sleep. When your Mac Pro is in sleep, the display's screen is dark. You can quickly wake your Mac Pro from sleep and bypass the startup process.

To put your Mac Pro to sleep quickly, do one of the following:

- Choose Apple () > Sleep from the menu bar.
- Press the power (⏻) button on the front of your Mac Pro.
- Press the Control and Eject keys, and then click Sleep in the dialogue box that appears.
- Choose Apple () > System Preferences, click Energy Saver, and set a sleep timer.

To wake your Mac Pro from sleep, do one of the following:

- Press any key on the keyboard.
- Click the mouse.
- Press the power (⏻) button on the front of your Mac Pro.

When your Mac Pro wakes from sleep, your applications, documents, and computer settings are exactly as you left them.

Shutting Down Your Mac Pro

If you won't be using your Mac Pro for an extended period, shut it down.

To turn off your Mac Pro, do one of the following:

- Choose Apple (🍏) > Shut Down.
- Press the Control and Eject keys, and then click Shut Down in the dialogue box that appears.

NOTICE: Do not turn off your Mac Pro by turning off the switch on a power strip or by unplugging your Mac Pro's power plug (unless you can't turn off your Mac Pro any other way). Your files or system software could be damaged if your Mac Pro is not shut down properly.

NOTICE: Shut down your Mac Pro before moving it. Moving your computer while the hard disk is spinning can damage the hard disk, causing loss of data or the inability to start up from the hard disk.

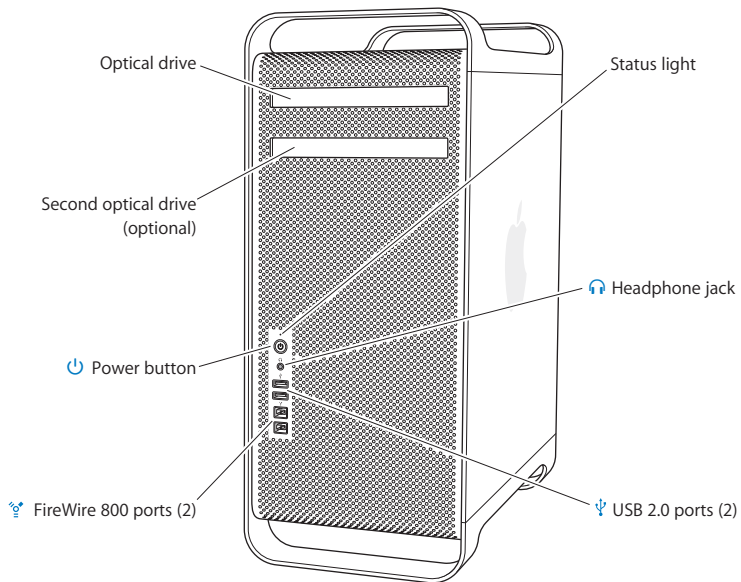
2

Life with Your Mac Pro

www.apple.com/macpro

Mac Help  ports

Basic Features on the Front of Your Mac Pro



Optical drive

Your Mac Pro has a DVD±R DL/DVD±RW/CD-RW SuperDrive, which can read CD-ROM, photo CD, audio, and DVD discs. It can write music, documents, and other files to CD-R, CD-RW, DVD±R, DVD±RW, and DVD±R Double Layer (DL) discs. To open the drive, press the Media Eject (⏏) key on your Apple Keyboard. If your Mac Pro has a second optical drive, press the Option and Media Eject (⏏) keys to open it.



Power button

Press this button to turn on your Mac Pro, put it to sleep, or wake it from sleep. To restart, press and hold this button for 5 or 6 seconds until your Mac Pro turns off, and, then press it again to turn it on.



Two FireWire 800 ports

Connect high-speed external devices, such as FireWire digital video (DV) cameras, scanners, and external hard disk drives. You can connect and disconnect FireWire devices without restarting. Each port supports data rates up to 800 Mbit/s.



Two USB 2.0 ports

Connect an iPod, iPhone, mouse, keyboard, printer, disk drive, digital camera, joystick, external USB modem, and more. You can also connect USB 1.1 devices. Your display may also have USB ports.



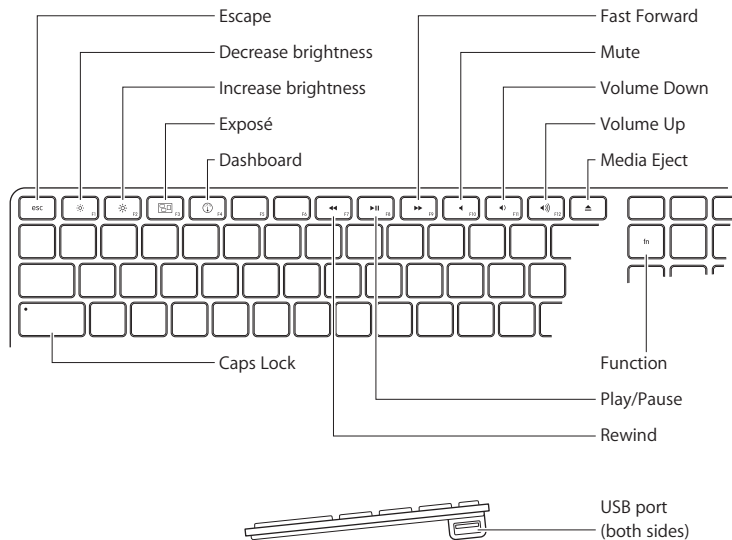
Headphone jack

Connect headphones, including Apple Earphones with Remote and Mic, through the headphone minijack.

Status light

A white light indicates your Mac Pro is on; a pulsing light indicates it's in sleep.

Features of Your Apple Keyboard



Escape (esc) key

Press the Escape (esc) and Command (⌘) keys simultaneously to open Front Row.
Press the Escape (esc) key to exit Front Row.

**Brightness keys (F1, F2)**

Increase (☀) or decrease (☾) the brightness of your Apple display.

**Exposé key (F3)**

Open Exposé for quick access to all your open windows.

**Dashboard key (F4)**

Open Dashboard to access your widgets.

**Mute key (F10)**

Mute the sound coming from the built-in speaker, headphone jack, or audio ports.

**Volume keys (F11, F12)**

Increase (🔊) or decrease (🔇) the volume of sound coming from the built-in speaker, headphone jack, or audio ports.

**Media Eject key**

Press and hold the Media Eject (⏏) key to remove a disc.

Function (fn) key

Hold down to activate customized actions assigned to the function keys (F1 to F19).
To learn about customizing function keys, choose Help > Mac Help from the menu bar and search for “function keys.”

**Media keys (F7, F8, F9)**

Rewind (⏮), play or pause (⏩), or fast-forward (⏭) a song, movie, or slideshow.

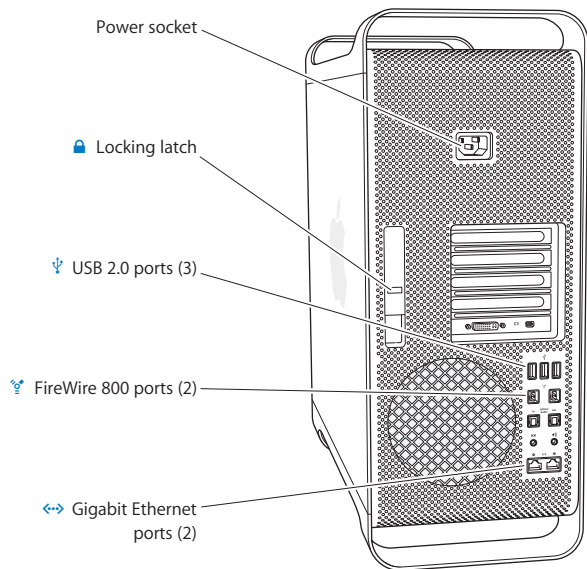
Caps Lock key

Press the Caps Lock key to engage caps lock so you can type capital letters.

**Two USB 2.0 ports**

Connect a mouse and sync your iPhone, iPod, or digital camera.

Ports and Connectors on the Back of Your Mac Pro



Power socket

Connect the power cord that came with your Mac Pro. Don't use ordinary power or extension cords.



Locking latch

Lift the latch to open the side panel and access the internal components in your Mac Pro. If you are working inside your Mac Pro and the latch is down, the optical and hard drives are locked in place. You can attach a security lock (available separately) to the latch to prevent access and secure the internal components. You can also attach a security cable to the latch or through the handles and feet to protect your Mac Pro.



Three USB 2.0 ports

Connect an iPod, iPhone, mouse, keyboard, printer, disk drive, digital camera, joystick, external USB modem, and more. You can also connect USB 1.1 devices. Your display may also have USB ports.



Two FireWire 800 ports

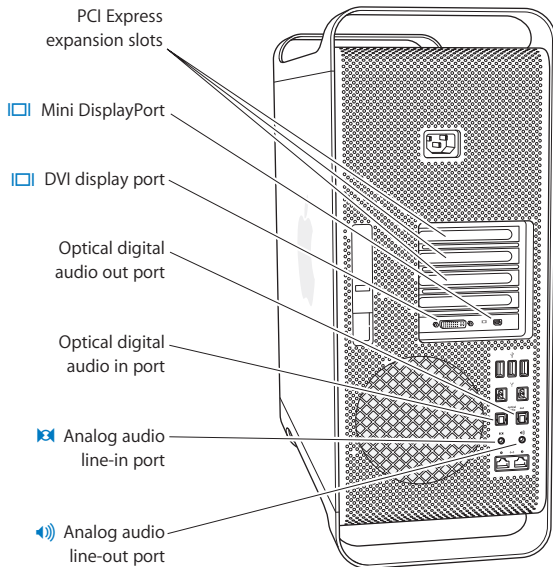
Connect high-speed external devices, such as FireWire digital video (DV) cameras, scanners, and external hard disk drives. You can connect and disconnect FireWire devices without restarting. Each port supports data rates up to 800 Mbit/s.



Dual Gigabit Ethernet ports with jumbo frame support

Connect to a high-speed Ethernet network, a DSL or cable modem, or another computer. The Ethernet port automatically detects Ethernet devices and doesn't require an Ethernet crossover cable. You can access the Internet or network resources such as printers and servers, and share information over the network using a CAT 5e cable.

More Ports and Connectors on the Back



PCI Express expansion slots (3)

Expand your Mac Pro by installing up to three Peripheral Component Interconnect (PCI) Express cards in the covered slots labeled 2, 3, and 4.



Mini DisplayPort

Connect a display that uses a Mini DisplayPort connector, such as the Apple LED Cinema Display. Display adapters for your Mac Pro are available from the online Apple Store at www.apple.com/store.



DVI display port (dual-link)

Connect a display that uses a Digital Visual Interface (DVI) connector, such as the 20-, 23-, or 30-inch Apple Cinema Display, to the DVI display port. Display adapters for your Mac Pro are available from the online Apple Store at www.apple.com/store.

Optical digital audio in and audio out ports

Connect to decks, receivers, digital instruments, and surround-sound speaker systems using standard TOSLINK cables or fiber-optic cables with a 3.5 mm plastic or nylon optical plug. You can transfer stereo or encoded audio using the S/PDIF (Sony/Philips Digital Interface) protocol and TOSLINK cables.



Analog audio line-in port

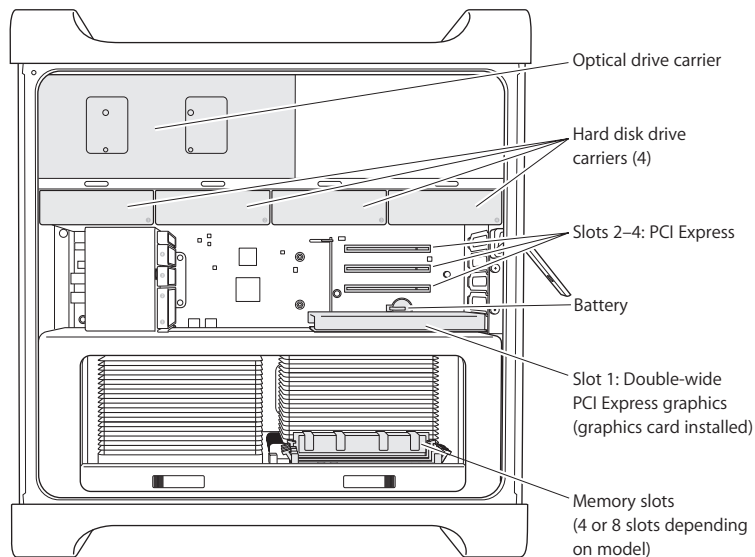
Connect self-powered microphones, MP3 and CD players, and other devices with analog capability.



Analog audio line-out port

Connect self-powered analog speakers and other devices with analog capability.

Internal Expansion Options



Optical drives

Your Mac Pro comes with one or two DVD±R DL/DVD±RW/CD-RW SuperDrives in the optical drive carrier. To replace an optical drive, see “Replacing the Optical Drive” on page 63.

Hard disk drive

Your Mac Pro comes with up to four hard disk drives installed in the drive carriers. To install or replace the hard disk drives, see “Installing Internal Storage Devices” on page 59.

PCI Express slots

Your Mac Pro has three PCI Express expansion slots. To install PCI cards in slots 2 through 4 to expand the capabilities of your Mac Pro, see “Adding PCI Express Cards” on page 69.

Battery

Your Mac Pro uses an internal backup battery. If your Mac Pro has trouble starting up, or if the system date and time are frequently incorrect, you may need to replace the battery. See “Replacing the Internal Backup Battery” on page 74.

Double-wide PCI Express graphics slot

Connect up to two displays to the graphics card in the PCI Express graphics slot (slot 1). You can replace the card in this slot and install additional graphics cards in PCI slots 2 through 4. See “Adding PCI Express Cards” on page 69.

Memory slots

Your Mac Pro has four or eight memory expansion slots, depending on the model. To add more memory, install PC3-8500, 1066 MHz, DDR3 SDRAM UDIMMs in the memory slots. See “Installing Memory” on page 41 for information about the type of memory used in your Mac Pro.

Getting Answers

Much more information about using your Mac Pro is available in Mac Help and on the Internet at www.apple.com/support/macpro.

To open Mac Help:

- 1 Click the Finder icon in the Dock (the bar of icons along the edge of the screen).
- 2 Click the Help menu in the menu bar and do one of the following:
 - a Type a question or term in the Search field, and choose a topic from the list of results or choose Show All Results to see all topics.
 - b Choose Mac Help to open the Mac Help window, where you can browse topics or type a search question.

More Information

For more information about using your Mac Pro, see the following:

To learn about	See
Installing drives, memory, expansion cards, or a battery	Chapter 3, "Making a Good Thing Better," on page 35.
Troubleshooting your Mac Pro if you have a problem	Chapter 4, "Problem, Meet Solution," on page 77.
Finding service and support for your Mac Pro	"Learning More, Service, and Support" on page 92. Or the Mac Pro Support website at www.apple.com/support/macpro .
Using Mac OS X	The Mac OS X website at www.apple.com/macosex . Or search for "Mac OS X" in Mac Help.
Moving from a PC to a Mac	"Why you'll love a Mac" at www.apple.com/getamac/whymac .

To learn about	See
Using iLife applications	The iLife website at www.apple.com/ilife . Or open an iLife application, open Help, and then type a question.
Changing System Preferences	System Preferences by choosing Apple () > System Preferences. Or search for “system preferences” in Mac Help.
Using your mouse or keyboard	System Preferences and choose Keyboard & Mouse. Or open Mac Help and search for “mouse” or “keyboard.”
Using AirPort Extreme wireless technology	The AirPort Support page at www.apple.com/support/airport . Or open Mac Help and search for “AirPort.”
Using Bluetooth® wireless technology	The Bluetooth Support page at www.apple.com/support/bluetooth . Or open Mac Help and search for “Bluetooth.”
Connecting a printer	Mac Help and search for “printing.”
FireWire and USB connections	Mac Help and search for “FireWire” or “USB.”
Connecting to the Internet	Mac Help and search for “Internet.”
Using a display	Mac Help and search for “display port.”
Front Row	Mac Help and search for “Front Row.”
Burning a CD or DVD	Mac Help and search for “burn disc.”
Mac Pro specifications	Chapter 5, “What’s Under the Hood,” on page 95. Or the Mac Pro specifications page at www.apple.com/macpro/specs.html . Or open System Profiler by choosing Apple () > About This Mac from the menu bar, and then click More Info.
Apple news, free downloads, and online catalogs	The Apple site at www.apple.com .
Instructions, technical support, and product manuals	The Apple Support site at www.apple.com/support .

3

Making a Good Thing Better

www.apple.com/store

Mac Help  RAM

Use the information in this chapter to customize and expand your Mac Pro to fit your needs. You can find information about important procedures in the following sections:

- “Opening the Mac Pro” on page 37
- “Installing Memory” on page 41
- “Installing Internal Storage Devices” on page 59
- “Adding PCI Express Cards” on page 69
- “Replacing the Internal Backup Battery” on page 74

NOTICE: Apple recommends that you have an Apple-certified technician install memory, PCI Express cards, and internal storage devices. To contact an Apple Authorized Service Provider or Apple for service, see “Learning More, Service, and Support” on page 92. If you install these items yourself, you risk damaging your equipment, and such damage is not covered by the limited warranty on your computer. See an Apple Authorized Reseller or Apple Authorized Service Provider for additional information about this or any other warranty question.

Opening the Mac Pro

- 1 Before you open your Mac Pro, shut it down by choosing Apple (🍏) > Shut Down.

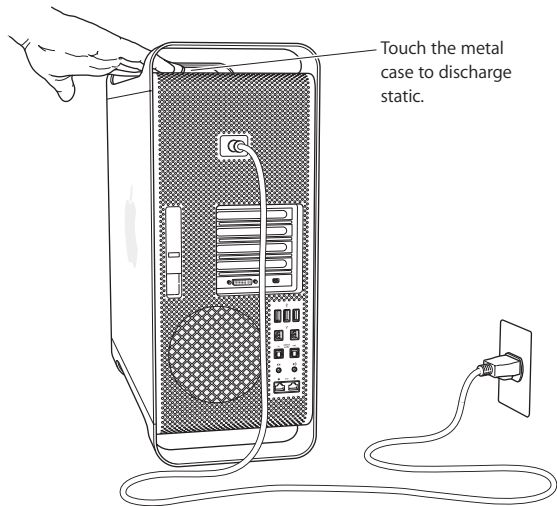
NOTICE: Always shut down your Mac Pro before opening it to avoid damaging its internal components or the components you want to install. Do not open your Mac Pro or attempt to install items inside it while it is on.

- 2 Wait 5 to 10 minutes to allow the internal components of your Mac Pro to cool.

WARNING: Let your Mac Pro cool down before you touch the internal components, which may be very hot.

- 3 Touch the metal on the outside of your Mac Pro to discharge any static electricity.

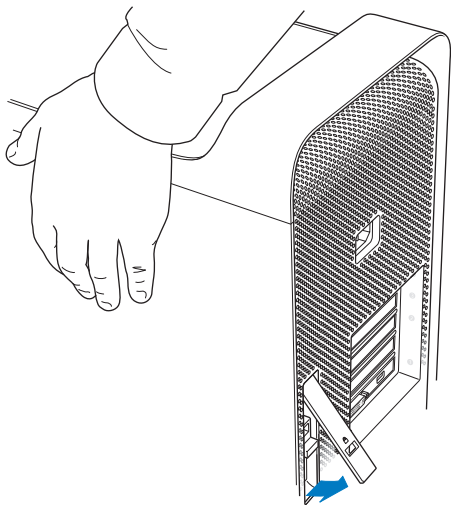
NOTICE: Always discharge static before you touch parts or install components inside your Mac Pro. To avoid generating static, don't walk around the room until you finish installing the cards, memory, or internal storage device and replace the side panel.



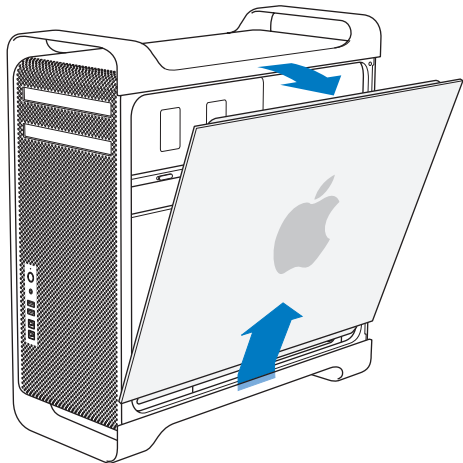
- 4 Unplug all the cables and the power cord from your Mac Pro.

NOTICE: To avoid damaging internal components or the components you want to install, always unplug your Mac Pro. Don't attempt to install items while it's plugged in.

- 5 Hold the side panel and lift the latch on the back.



6 Remove the side panel by pulling the top away from your Mac Pro and lifting up.



Important: When you remove the side panel, hold it securely.

Installing Memory

Your Mac Pro comes with 3 or 6 GB of memory, installed as 1 GB unbuffered dual inline memory modules (UDIMMs).

All installed UDIMMs must meet these specifications:

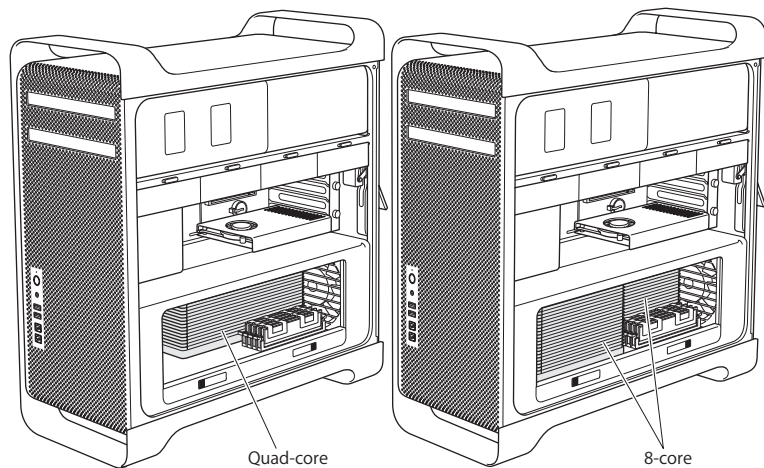
- PC3-8500, 1066 MHz, DDR3 SDRAM UDIMMs
- Error-correcting code (ECC)
- 72-bit wide, 240-pin ECC modules
- 36 ICs maximum per ECC UDIMM

NOTICE: Apple recommends that you use Apple-approved DIMMs. DIMMs from older Mac computers cannot be used in your Mac Pro. You can purchase Apple-branded memory online from the Apple Store at www.apple.com/store.

When purchasing DIMMs for use in Mac computers, make sure that the memory vendor conforms to the Joint Electron Device Engineering Council (JEDEC) specification. Check with your memory vendor to ensure that the DIMMs support the correct timing modes and that the Serial Presence Detect (SPD) feature has been programmed properly, as described in the JEDEC specification. To check the compatibility of your DIMMs, see the Macintosh Products Guide on Apple's website at www.apple.com/guide.

Before you install memory, determine whether you have a quad- or 8-core Mac Pro by removing the side panel following the instructions on page 37, and looking inside:

- A quad-core Mac Pro has one processor and four memory slots. You can install 1 GB or 2 GB DIMMs for a total of up to 8 GB of memory. See “Installing Memory in a Quad-Core Mac Pro” on page 43.
- An 8-core Mac Pro has two processors and eight memory slots. You can install 1 GB, 2 GB, or 4 GB DIMMs for a total of up to 32 GB of memory. See “Installing Memory in an 8-Core Mac Pro” on page 52.



You can also determine which Mac Pro you have by choosing Apple (🍏) > About This Mac from the menu bar. Click More Info, choose Hardware from the Contents list, and then find Number Of CPUs in Hardware Overview. A quad-core Mac Pro has one CPU and an 8-core Mac Pro has two CPUs.

Installing Memory in a Quad-Core Mac Pro

The quad-core Mac Pro has four memory slots, and comes with at least three 1 GB DIMMs installed. You can replace or install additional 1 GB or 2 GB DIMMs for a total of up to 8 GB of memory.

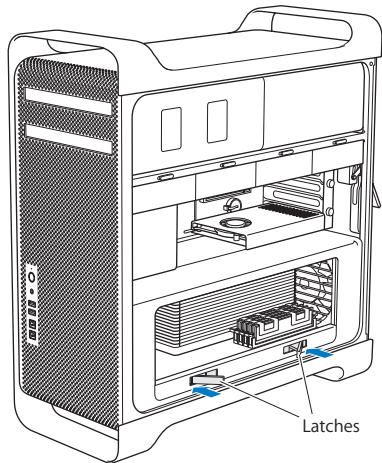
It's important that DIMMs installed in your Mac Pro are of equal specification. Use the instructions that follow to install DIMMs in a quad-core Mac Pro.

To install memory:

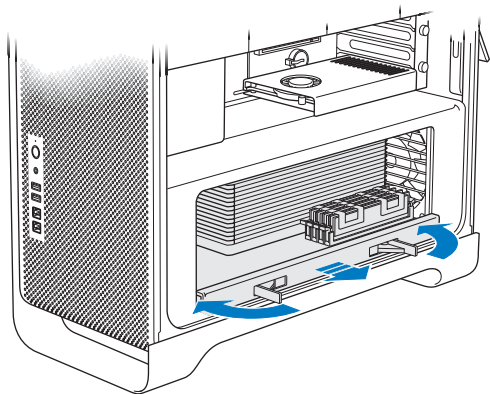
- 1 Shut down your Mac Pro, open it, and remove the side panel, following the instructions on page 37.

WARNING: Let your Mac Pro cool down for 5 to 10 minutes before you remove the processor tray or touch the internal components. The processor tray and components may be very hot.

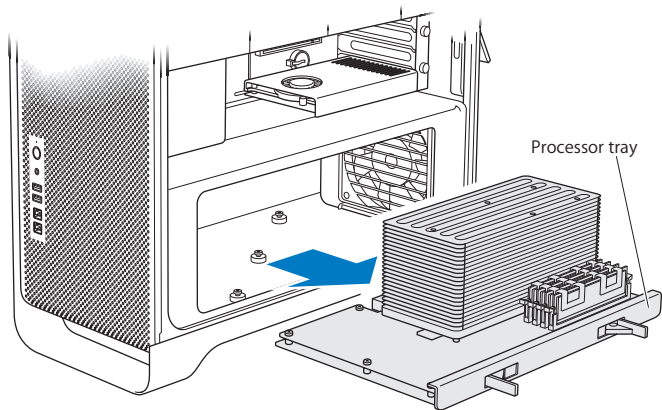
2 Push the latches on the processor tray until they partially open.



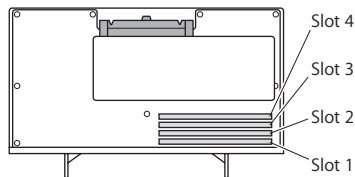
3 Pull the latches until they open all the way and release the processor tray.



- 4 Remove the processor tray and lay it on a soft, clean cloth on the desk or work surface, to protect the tray and avoid scratching the work surface.



If you install equal-size DIMMs (all 1 GB or all 2 GB) in your Mac Pro, Apple recommends that you fill the slots in the order listed in the table.



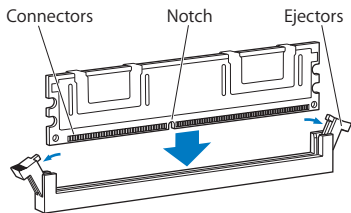
If you have	Fill these slots	
Two DIMMs	1 and 2	
Three DIMMs	1, 2, and 3	
Four DIMMs	1, 2, 3, and 4 (all)	

Note: If you install different-size DIMMs in your Mac Pro, follow the order in the table. If the DIMM configuration you install doesn't provide optimized performance, the Memory Slot Utility appears onscreen and recommends an improved configuration.

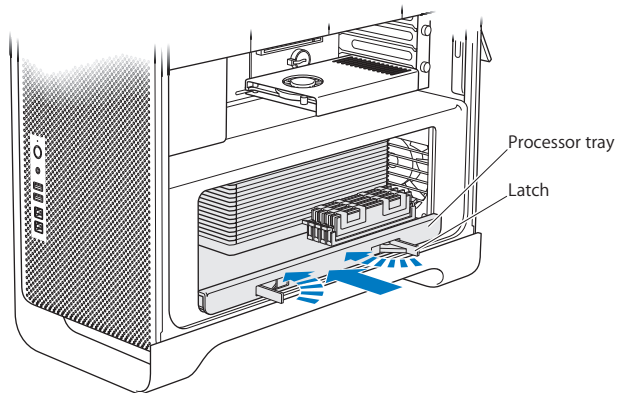
To use the utility again, go to `/System/Library/CoreServices/Memory Slot Utility`.

- 5 Open the ejectors on DIMM slots 1, 2, and 3 and push them out to the sides. Then remove the DIMMs from the slots.
- 6 Install the DIMMs by aligning them in the DIMM slots and pushing both ends of the DIMM down until the tabs are vertical and the ejectors snap into place.

NOTICE: To avoid damaging the DIMM, hold it by the corners and don't touch the gold connectors or other components.



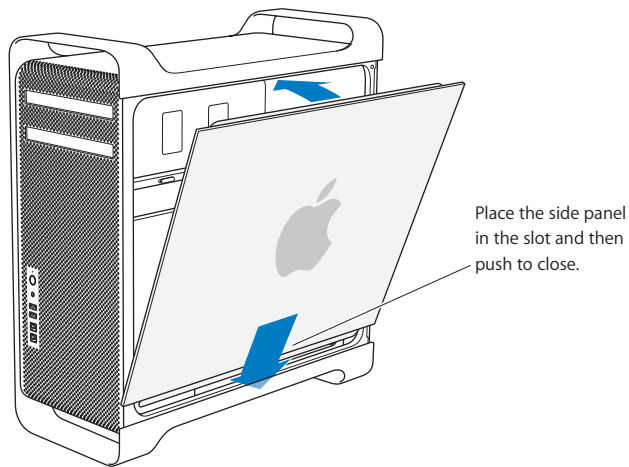
7 Reinstall the processor tray, pushing it in until the latches are at a 45-degree angle.



8 Push the latches all the way in to close them and seat the processor tray.

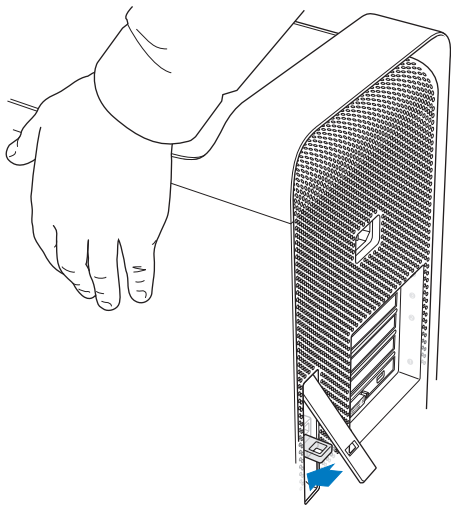
9 Replace the side panel.

Important: When you replace the side panel, make sure the latch is up. Hold the side panel securely so it stays in place as you push the latch down.



NOTICE: Always replace the side panel after installing components. Your Mac Pro doesn't operate properly without the side panel in place.

- 10 Hold the side panel against your Mac Pro and push the latch down to secure the side panel.



- 11 You can attach a lock or cable through the metal loop to secure your Mac Pro. Flip the lock tab down before you close the latch.

Installing Memory in an 8-Core Mac Pro

The 8-core Mac Pro has eight memory slots, and, in most configurations, comes with at least six 1 GB DIMMs installed. You can install 1 GB, 2 GB, or 4 GB DIMMs, for a total of up to 32 GB of memory.

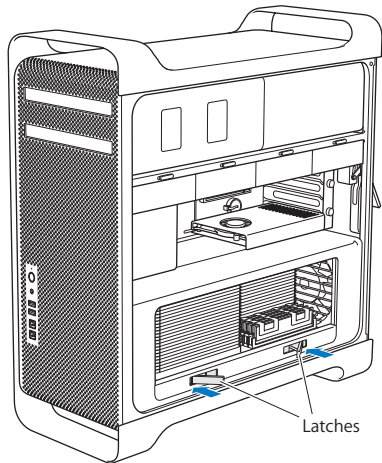
It's important that DIMMs installed in your Mac Pro are of equal specification. Use the instructions that follow to install DIMMs in an 8-core Mac Pro.

To install memory in an 8-core Mac Pro:

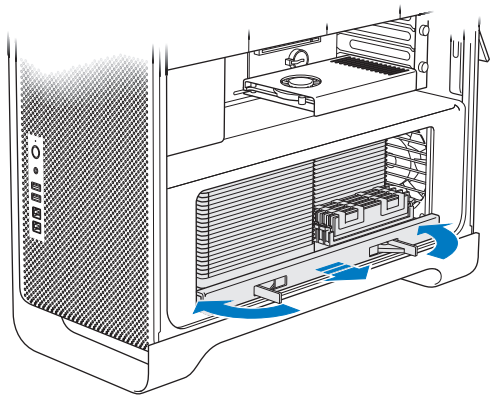
- 1 Shut down your Mac Pro, open it, and remove the side panel, following the instructions on page 37.

WARNING: Let your Mac Pro cool down for 5 to 10 minutes before you remove the processor tray or touch the internal components. The processor tray and components may be very hot.

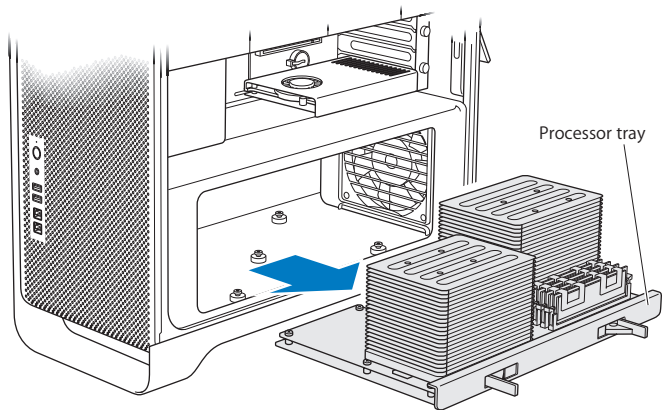
2 Push the latches on the processor tray until they partially open.



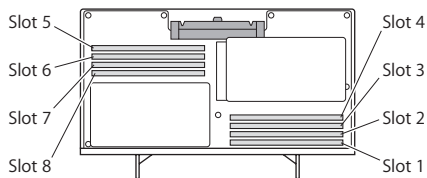
3 Pull the latches until they open all the way and release the processor tray.








- 4 Remove the processor tray and lay it on a soft, clean cloth on the desk or work surface to protect the tray and avoid scratching the work surface.



If you install equal-size DIMMs (all 1, 2, or 4 GB) in your Mac Pro, Apple recommends that you fill the slots in the order listed in the table.



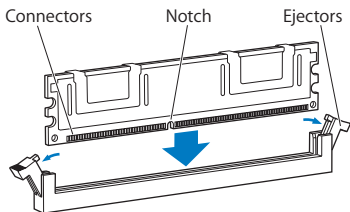
If you have	Fill these slots	
Two DIMMs	1 and 2	
Three DIMMs	1, 2, and 3	
Four DIMMs	1, 2, and 5, 6	
Six DIMMs	1, 2, 3, and 5, 6, 7	
Eight DIMMs	1, 2, 3, 4, and 5, 6, 7, 8 (all)	

Note: If you install different-size DIMMs in your Mac Pro, follow the order in the table. If the DIMM configuration you install doesn't provide optimized performance, the Memory Slot Utility appears onscreen and recommends an improved configuration.

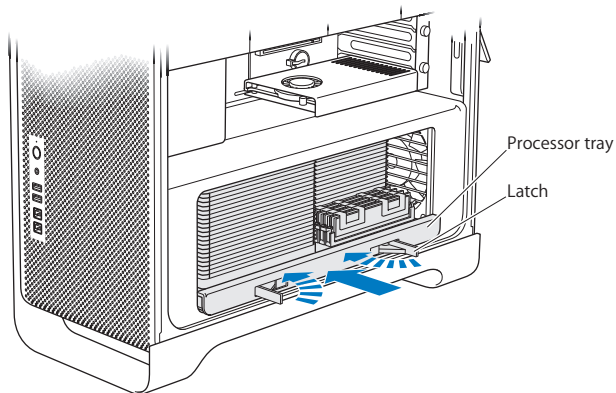
To use the utility again, go to `/System/Library/CoreServices/Memory Slot Utility`.

- 5 Install the DIMMs by aligning them in the DIMM slots and pushing both ends of the DIMM down until the tabs are vertical and the ejectors snap into place.

NOTICE: To avoid damaging the DIMM, hold it by the corners and don't touch the gold connectors or other components.



- 6 Reinstall the processor tray, pushing it in until the latches are at a 45-degree angle.
- 7 Push the latches all the way in to close them and seat the processor tray.



- 8 Replace the side panel following the instructions on page 50.

NOTICE: Always replace the side panel after installing components. Your Mac Pro doesn't operate properly without the side panel in place.

Installing Internal Storage Devices

Your Mac Pro has room for six internal drives: two optical drives and four hard disk drives. In most configurations, a single hard disk drive occupies the first hard drive bay and an optical drive is located in the top optical drive bay.

You can add up to three 3.5-inch cable-free Serial ATA (SATA) hard disk drives to the empty hard drive bays or up to four Serial Attached SCSI (SAS) drives. The drives must meet these specifications:

- *Type:* SAS or SATA 3 Gb/s
- *Width:* 3.9 inches (102 mm)
- *Depth:* 5.7 inches (147 mm)
- *Height:* 1.0 inch (25.4 mm)

Note: To install SAS drives in your Mac Pro, you must also install the optional Mac Pro RAID Card.

For more information about requirements or devices supported, visit an Apple Authorized Reseller, the Apple Store at www.apple.com/store, or the Mac Pro Support site at www.apple.com/support/macpro.

Installing SAS or SATA 3 Gb/s Hard Disk Drives

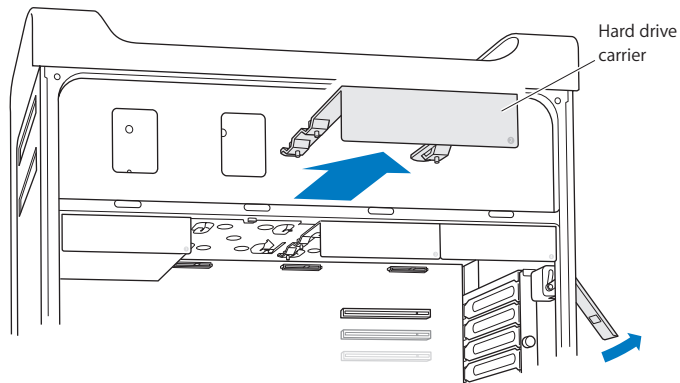
Your Mac Pro can accommodate up to four internal 1-inch-high SATA or SAS 3 Gb/s hard disk drives in the hard drive bays. If your Mac Pro comes with a single drive installed, it's in the first bay. You can install drives in the second, third, and fourth hard drive bays.

To install a hard disk drive:

- 1 Open your Mac Pro and remove the side panel following the instructions that begin on page 37.
- 2 Lift the latch to unlock the hard drive carriers.

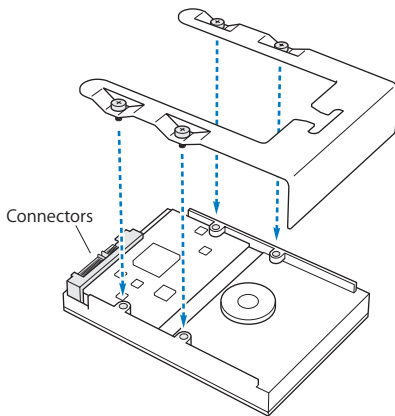
Note: When the latch is down, the carriers are locked in the drive bays and can't be removed.

- 3 Pull the hard drive carrier out of the drive bay.

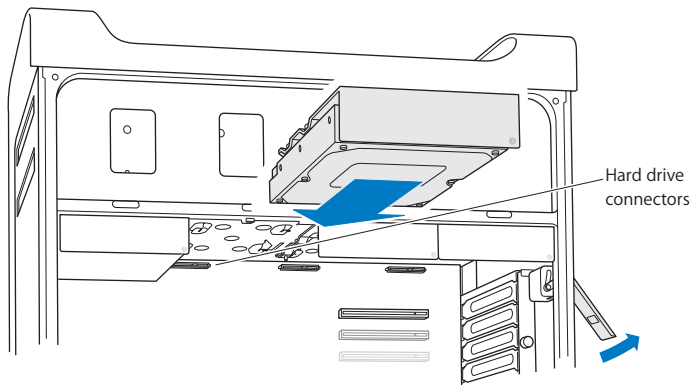


- 4 Position the carrier over the hard disk drive with the connectors at the rear.
- 5 Use the four screws on the carrier to attach the hard disk drive to the carrier.

NOTICE: Hold the drive by its sides. To avoid damaging the drive, don't touch the printed circuit board.



- 6 Lift the latch and slide the carrier over the guides and into the drive bay until it's touching the hard drive connectors and is seated in the bay.



- 7 Replace the side panel following the instructions on page 50.

NOTICE: Always replace the side panel after installing components. Your Mac Pro doesn't operate properly without the side panel in place.

Replacing the Optical Drive

Your Mac Pro comes with one or two SuperDrives installed in the optical drive bays. Follow these instructions to replace your optical drive.

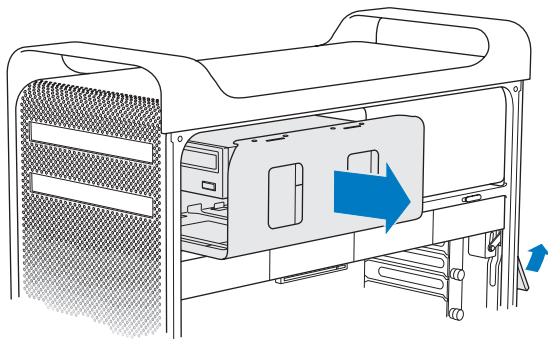
Important: Contact your drive manufacturer or consult the manufacturer's website to determine if your drive is set to cable select mode. Before installation, set the drive to cable select mode if the manufacturer hasn't already done so.

To replace the optical drive:

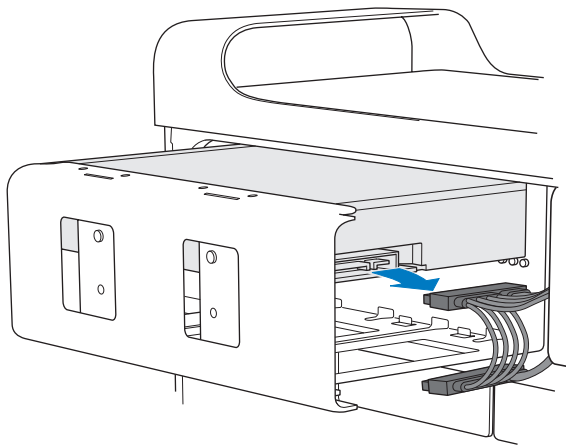
- 1 Open your Mac Pro and remove the side panel following the instructions that begin on page 37.
- 2 Lift the latch to unlock the optical drive carriers.

Note: When the latch is down, the drives and carriers are locked in the drive bays and can't be removed.

3 Pull the optical drive carrier halfway out of the optical drive bay.

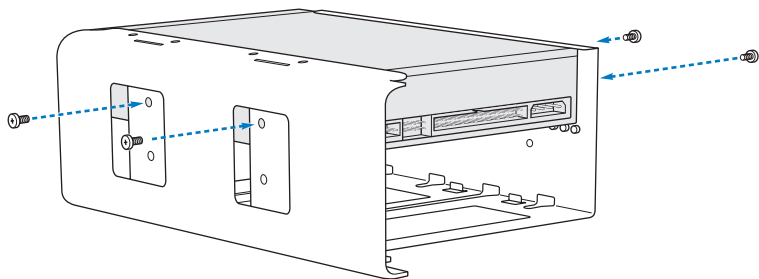


- 4 Disconnect the cable from the optical drive and remove the carrier from the optical drive bay.

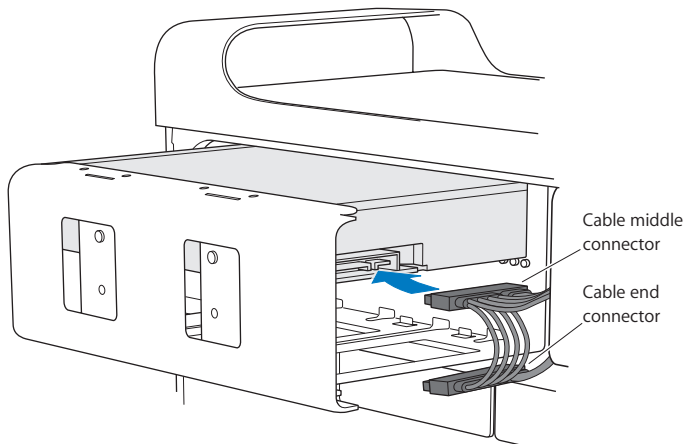


NOTICE: When you install or replace optical drives, use the original Apple cables that came with your Mac Pro.

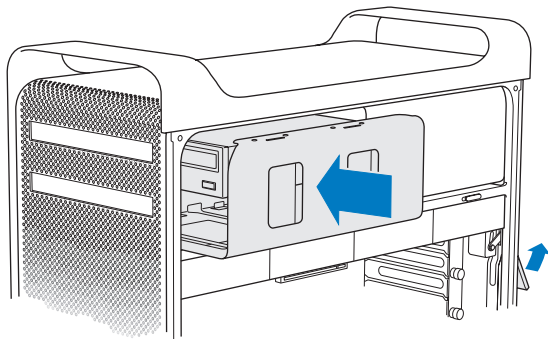
- 5 Remove the optical drive from the carrier by unscrewing the four attachment screws.
- 6 Use the four screws from the original optical drive to attach the replacement drive to the carrier.



- 7 Slide the optical drive and carrier over the guides halfway into the drive bay.
- 8 Attach the cable to the back of the drive.



- 9 Lift the latch and then slide the optical drive carrier into the drive bay, pushing it into place.



- 10 Replace the side panel following the instructions on page 50.

NOTICE: Always replace the side panel after installing components. Your Mac Pro doesn't operate properly without the side panel in place.

Adding PCI Express Cards

You can expand the capabilities of your Mac Pro by installing cards in the Peripheral Component Interconnect (PCI) Express slots. Your Mac Pro has one double-wide PCI Express graphics slot and three PCI Express expansion slots, for a total of four slots. These slots accommodate PCI Express graphics cards and expansion cards.

About PCI Express Cards

Your Mac Pro comes with a high-performance PCI Express graphics card, which contains the graphics processor unit (GPU) and provides the computer's display ports. The graphics card is installed in slot 1.

You can install additional PCI Express graphics and expansion cards. Before installing a card, check its specifications to make sure it can operate in your Mac Pro:

- Slots 1 and 2 are x16, PCI Express 2.0 slots
- Slots 3 and 4 are x4, PCI Express 2.0 slots

All four slots support 16-lane cards.

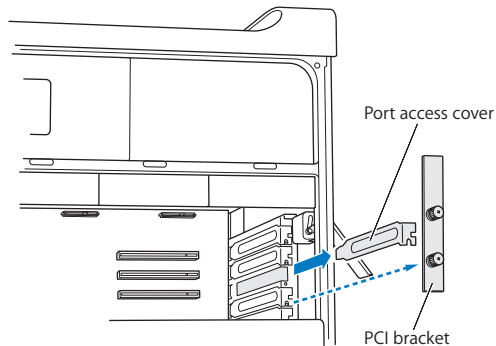
Important: Combined maximum power consumption for all four PCI Express slots must not exceed 300 watts (W).

To install a PCI Express card:

- 1 Open your Mac Pro and remove the side panel following the instructions that begin on page 37.

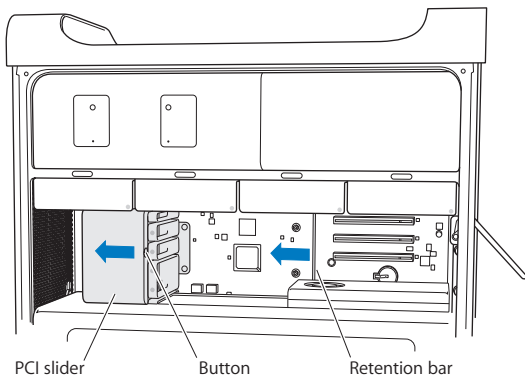
WARNING: To avoid damaging internal components or the components you want to install, always turn off and then unplug your Mac Pro. Do not attempt to install items while it is plugged in. Let your Mac Pro cool down for 5 to 10 minutes before you touch the internal components, which may be very hot.

- 2 Unscrew the captive screws in the PCI bracket and remove the bracket.



- 3 Remove the port access cover from the slot in which you plan to install the card.

- 4 Press the button on the PCI slider and move the slider to the left, which moves the retention bar.

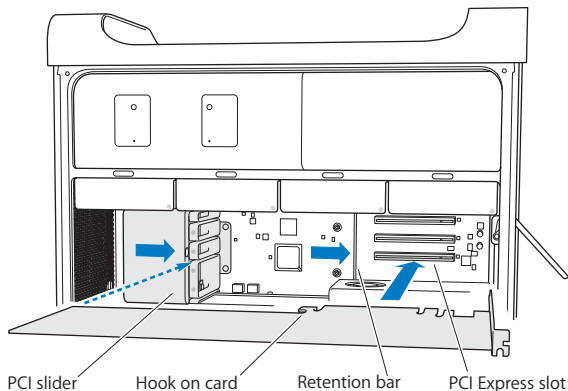


- 5 Remove your new card from its static-proof bag and hold it by its corners. Don't touch the gold connector or the components on the card.

Did You Know?—Installing a Full-Length PCI Card

It may be easier to install a PCI card if you remove the hard disk drives and carriers (see page 59), and remove adjacent cards. Make sure the end of the card goes in the appropriate card guide before aligning the card with the PCI slot and completing the installation.

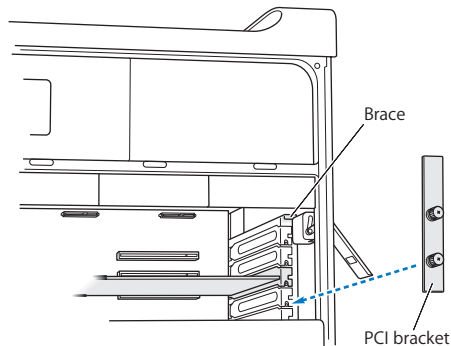
6 Align the card's connector with the expansion slot and press the card into the slot.



- 7 Press the card gently but firmly until the connector is fully inserted. Press only on the bare areas of the card to avoid damaging the components. Don't rock the card from side to side or force it. If you meet resistance, check the connector and slot for damage or obstructions, and then try inserting the card again.
- 8 Pull the card gently to see if it is properly connected. If it stays in place and its gold connectors are barely visible, the card is connected.
- 9 Move the PCI slider to the right to secure the card.

- 10 Replace the PCI bracket under the brace and tighten the screws to secure the card.

NOTICE: If you remove a card and don't install a replacement, place a port access cover over the empty slot to keep foreign objects out of the enclosure. An uncovered slot affects the airflow that cools the internal components and may cause damage.



- 11 Replace the side panel following the instructions on page 50.

NOTICE: Always replace the side panel after installing components. Your Mac Pro doesn't operate properly without the side panel in place.

Replacing the Internal Backup Battery

Your Mac Pro uses a BR 2032 Lithium battery that preserves settings, such as the date and time, when your Mac Pro is off. If you notice intermittent problems when your Mac Pro starts up or changes in the date and time settings, replace the battery.

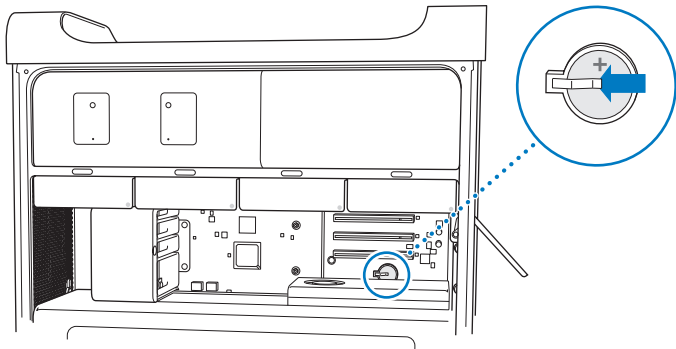
Important: Dispose of the old battery according to your local environmental laws.

To replace the battery:

- 1 Open your Mac Pro and remove the side panel, following the instructions on page 37.
- 2 Remove any PCI Express cards that block access to the battery. See “Adding PCI Express Cards” on page 69 for instructions.
- 3 Remove the old battery from the holder.

WARNING: Installing the battery incorrectly may cause an explosion. Use only the same type of battery or an equivalent recommended by the manufacturer of the original.

4 Insert the new battery in the holder with the positive (+) side facing up.



5 Replace the PCI Express cards that you removed (see page 69).

6 Replace the side panel and push the latch down to secure it.

4

Problem, Meet Solution

www.apple.com/support

Mac Help  help

Occasionally you may have problems while working with your Mac Pro. Read on for troubleshooting tips to try when you have a problem. You can also find more troubleshooting information in Mac Help or on the Mac Pro Service & Support website at www.apple.com/support/macpro.

If you experience a problem working with your Mac Pro, there is usually a simple and quick solution. If you encounter a problem, try to make a note of what you did before the problem occurred. This can help you narrow down the possible causes of the problem and then find the answers you need. Things to note include:

- The applications you were using when the problem occurred. Problems that occur only with a specific application may indicate that the application is not compatible with the Mac OS version installed on your computer.
- Any software that you recently installed.
- Any new hardware (such as memory, graphics or PCI Express cards, hard disk drives) you installed or peripheral that you connected

Problems with Your Mac Pro

If your Mac Pro won't respond or turn on, you have trouble ejecting a disk, or the status light is flashing, try the steps in this section.

If the computer won't respond or the pointer won't move

First, make sure the mouse and keyboard are connected by unplugging and then plugging in the connectors, and make sure they are firmly seated.

Then try to cancel what the computer is doing.

- Press the Command (⌘) and Q keys at the same time to try to quit the current application.
- Press the Command (⌘) and period keys at the same time. If a dialog appears, click Cancel.
- Choose Apple () > Force Quit and select the application you want to quit. You can also force quit by pressing the Esc, Option, and Command (⌘) keys at the same time. Restart your Mac Pro by choosing Apple () > Restart to be sure the problem is entirely cleared up. You can also restart by pressing the power (⏻) button for about 5 or 6 seconds until your Mac Pro shuts down. Press the power (⏻) button again to start up your Mac Pro.
- *If the problem occurs only when you use a particular program, check with the program's manufacturer to see if it is compatible with your computer.*
- *If the problem occurs frequently, choose Help > Mac Help and search for "problems."*

If the computer won't turn on or start up

- Make sure the power cord is connected to a working power source. The plug on the power cord must be completely inserted into the computer's power socket and firmly seated.
- If your computer still does not start up, try resetting the parameter random access memory (PRAM). Turn on the computer and immediately hold down the Command (⌘), Option, P, and R keys until you hear the startup sound a second time. Release the keys. Set your hard disk as the computer's startup disk, by doing the following:

- 1 Choose Apple () > System Preferences.
- 2 Click Startup Disk.

3 Select your hard disk.

The PRAM is reset to the default values and your clock settings may need to be reset.

- If your computer does not start up after resetting the PRAM, restart your computer while holding down the Option key to select your startup disk.
- If this doesn't work, restart your computer while holding down the Shift key.

If you are unable to eject a disc

A file on the disc may be in use. Quit applications that are open, and then try again.

If that doesn't work, choose Apple (🍏) > Restart and hold down either the mouse button or the Media Eject (⏏) key on your Apple Keyboard.

If that doesn't work:

- 1 Shut down the computer and remove the side panel (see the instructions on page 37).
- 2 Pull the optical drive carrier out of the optical drive bay (see page 64).
- 3 Carefully insert the end of a straightened paper clip into the small hole on the front of the optical drive.
- 4 Push firmly until the tray opens, remove the disc, and push the tray to close it.
- 5 Replace the optical drive carrier and the side panel (see page 68).

If the status light flashes and the computer won't start up

- If you recently installed memory, a PCI expansion card, or another internal component, make sure that it is correctly installed and that it is compatible with your computer. See if removing it allows the computer to start up.
- If the status light still flashes, determine the number of flashes to identify the problem:

- *One short flash followed by a longer off period:* No valid memory.
- *Three short flashes followed by a longer off period:* Failed memory.

Problems with Software

When an application freezes or does not respond, Mac OS X provides a way to quit the application without restarting your computer. Quitting a frozen application may allow you to save your work in other open applications.

To force an application to quit:

- 1 Press Command (⌘)-Option-Esc or choose Apple () > Force Quit from the menu bar.
- 2 Select the name of the application you want to quit in the Force Quit Applications dialogue.
- 3 Click Force Quit.

The application quits, leaving all other applications open.

If you have a problem with a software program

- Use Software Update to ensure that you have the latest drivers, bug fixes, and other updates.
- For problems with software from a manufacturer other than Apple, contact the manufacturer.

If you have a problem using your computer or working with Mac OS X

- Look in Mac Help (in the Help menu) for instructions and troubleshooting information.
- For the latest troubleshooting information and software updates, go to the Apple Support website at www.apple.com/support.

Keeping Your Software Up to Date

You can connect to the Internet and automatically download and install the latest free software versions, drivers, and other enhancements from Apple.

When you are connected to the Internet, Software Update checks to see if any updates are available for your computer. You can set your Mac Pro to check for updates periodically, and then you can download and install updated software.

To check for updated software:

- 1 Choose Apple (🍏) > Software Update.
- 2 Follow the onscreen instructions.
 - For more information, search for “Software Update” in Mac Help.
 - For the latest information about Mac OS X, go to the Mac OS X website at www.apple.com/macosx.

Problems with AirPort Wireless Communication

If you have a problem using AirPort wireless communication:

- Use System Profiler to make sure you have an AirPort card installed in your Mac Pro. To open System Profiler, choose Apple (🍏) > About This Mac from the menu bar, and then click More Info. Choose Network from the Contents list, and then choose AirPort Card. If your Mac Pro doesn't have an AirPort card, you'll see “No information found.” If you would like an AirPort card installed in your Mac Pro, see page 92.
- Make sure you have properly configured the software according to the instructions that came with your base station.

- Make sure the computer or network you are trying to connect to is running and has a wireless access point.
- Make sure you are within antenna range of the other computer or the network's access point. Nearby electronic devices or metal structures can interfere with wireless communication and reduce this range. Repositioning or rotating the computer may improve reception.
- Make sure the side panel is closed (see page 50) and the PCI port access covers are in place (see page 73). Antenna reception is reduced when your Mac Pro is not closed properly.
- Check the AirPort signal level. You may have up to four bars in the AirPort status icon in the menu bar.
- See AirPort Help (choose Help > Mac Help, and then choose Library > AirPort Help from the menu bar). Also see the instructions that came with the wireless device for more information.

Problems with Your Display

NOTICE: If you have a problem with your Apple display and nothing in this manual solves it, contact an Apple Authorized Service Provider or Apple for assistance. If you attempt to repair the display yourself, any damage you may cause to the display will not be covered by the limited warranty on your display. Contact an Apple Authorized Reseller or Apple Authorized Service Provider for additional information about this or any other warranty question.

If no image appears on the screen

- Make sure the computer is turned on, and if the display has a power button, make sure it is turned on.
- Make sure the cables are connected properly to your computer and the display.
- If your graphics card has an internal power cable, make sure it's connected to the card and the logic board.
- Make sure your computer is not in sleep. Press the power button or any key to see if the computer wakes.
- Make sure the display brightness and contrast are set properly. Use the brightness keys on the Apple Keyboard. Some displays also have brightness and contrast controls on or under their front edge or on the side.
- Reset the PRAM by restarting the computer while holding down the Command (⌘), Option, P, and R keys until you hear the startup sound a second time. Then start up using the software installation disc that came with your computer.

If the screen image appears dim or flickers

- Adjust the display brightness and contrast settings. Use the brightness keys on the Apple Keyboard. Some displays also have brightness and contrast controls on or under their front edge. Or you may be able to adjust brightness or contrast using the Displays pane of System Preferences.
- Calibrate the display by choosing Apple () > System Preferences. Click Displays, select Color, and click Calibrate. For more information on color and your display, see Mac Help.

- The flickering may be caused by interference from a nearby power line, a fluorescent light, or an electrical device—for example, a radio, a microwave oven, or another computer. Try relocating nearby electrical devices or moving your computer and display.

If no colors appear on the screen or the colors don't look right

- Make sure the display is connected firmly to the computer.
- Open the Displays pane of System Preferences and make sure the display is set to display millions of colors. For more information about color and your display, see Mac Help.
- Calibrate the display, as described on page 84.

If after you change the screen resolution, desktop icons move

Changing the screen resolution affects the display of information on your screen. The operating system may reposition icons when you change the screen resolution.

If the screen freezes

- Force the frozen application to quit. Hold down the Command and Option keys and press Esc. Then select the application in the list and click Force Quit.
- If that doesn't work, force the computer to restart by pressing the power (⏻) button for 5 or 6 seconds until your Mac Pro shuts down. Press the power (⏻) button again to start up your Mac Pro.

If your display has a light on the front and it's flashing

On some Apple flat panel displays, the power light displays a series of short flashes when an error is detected.

- *If you see a repeating sequence of three short flashes*, the display is detecting input in the wrong video format. Make sure your display is compatible with your graphics card and that you've installed the correct display software, if your display came with installation software.
- *If you see a sequence of two short flashes and a long flash*, the display is detecting a problem with a backlighting lamp. Contact an Apple Authorized Reseller or Apple Authorized Service Provider.

Problems with Your Internet Connection

If you have trouble with your Internet connection, you can try the steps in this section starting with Network Diagnostics.

To use Network Diagnostics:

- 1 Choose Apple (🍏) > System Preferences.
- 2 Click Network and then click "Assist me" at the bottom of the page.
- 3 Click Diagnostics to open Network Diagnostics.
- 4 Follow the onscreen instructions.

If Network Diagnostics can't resolve the problem, there may be a problem with the Internet service provider (ISP) you are trying to connect to, with an external device you are using to connect to your ISP, or with the server you are trying to access. You can also try the steps in the following section.

Cable Modem, DSL, and LAN Internet Connections

Make sure all modem cables are fully plugged in, including the modem power cord, the cable from the modem to the computer, and the cable from the modem to the wall jack. Check the cables and power supplies for Ethernet hubs and routers.

Turn the modem off and on to reset the modem hardware.

Turn off your DSL or cable modem for a few minutes, and then turn it back on. Some ISPs recommend that you unplug the modem's power cord. If your modem has a reset button, you can press it either before or after you turn the power off and on.

PPPoE Connections

If you are unable to connect to your Internet service provider using PPPoE, make sure you have entered the correct information in Network preferences.

To enter PPPoE settings:

- 1 Choose Apple (🍏) > System Preferences.
- 2 Click Network.
- 3 Click Add (+) at the bottom of the network connection services list, and choose PPPoE from the Interface pop-up menu.
- 4 Choose an interface for the PPPoE service from the Ethernet pop-up menu.
Choose Ethernet if you are connecting to a wired network, or AirPort if you are connecting to a wireless network.
- 5 Enter the information you received from your service provider, such as the account name, password, and PPPoE service name (if your service provider requires it).
- 6 Click Apply to make the settings active.

Network Connections

Make sure the Ethernet cable is plugged into your computer and into the network. Check the cables and power supplies to your Ethernet hubs and routers.

If you have two or more computers sharing an Internet connection, be sure that your network is set up properly. You need to know if your ISP provides only one IP address or if it provides multiple IP addresses, one for each computer.

If only one IP address is used, then you must have a router capable of sharing the connection, also known as network address translation (NAT) or “IP masquerading.” For setup information, check the documentation provided with your router or ask the person who set up your network. You can use an AirPort Base Station to share one IP address among multiple computers.

For information about using an AirPort Base Station, search for “AirPort” Mac Help or visit the AirPort support website at www.apple.com/support/airport.

If you cannot resolve the issue using these steps, contact your ISP or network administrator.

Using Apple Hardware Test

If you suspect a problem with your Mac Pro hardware, use the Apple Hardware Test application to help determine if there's a problem with one of the computer's components, such as the memory or processor.

To use Apple Hardware Test:

- 1 Disconnect all external devices from your Mac Pro, except the keyboard and mouse. If you have an Ethernet cable connected, disconnect it.
- 2 Restart your Mac Pro while holding down the D key.
- 3 When the Apple Hardware Test chooser screen appears, select the language you want to use.
- 4 Press the Return key or click the right arrow button.
- 5 When the Apple Hardware Test main screen appears (after about 45 seconds), follow the onscreen instructions.
- 6 If Apple Hardware Test detects a problem, it displays an error code. Make a note of the error code before pursuing support options. If Apple Hardware Test doesn't detect a hardware failure, the problem may be software-related.

If this procedure doesn't work, you can insert the *Applications Install DVD* that came with your Mac Pro to use Apple Hardware Test. For more information, see the Apple Hardware Test Read Me file on the *Applications Install DVD*.

Reinstalling the Software That Came with Your Mac Pro

Use the software installation discs that came with your Mac Pro to reinstall Mac OS X and any applications that came with your computer. You can choose “Archive and Install,” which saves your existing files and settings, or “Erase and Install,” which erases all your data.

Important: Apple recommends that you back up the data on your hard disk before restoring software. Because the “Erase and Install” option erases your hard disk, you should back up your essential files before installing Mac OS X and other applications. Apple is not responsible for any lost data.

Installing Mac OS X

To install Mac OS X:

- 1 Back up your important files.
- 2 Insert the *Mac OS X Install DVD* that came with your computer.
- 3 Double-click Install Mac OS X.
- 4 Follow the onscreen instructions.

Note: To restore Mac OS X on your computer to the original factory settings, click Options in the “Select a Destination” pane of the Installer, and then select “Erase and Install.” If you choose “Erase and Install,” you’ll see a message reminding you to use the *Applications Install DVD* to reinstall the bundled applications that came with your computer.

- 5 When the installation is complete, click Restart to restart your computer.
- 6 Follow the prompts in the Setup Assistant to set up your user account.

Installing Applications

If you reinstall Mac OS X on your computer and select the “Erase and Install” option, you must reinstall the applications that came with your computer, such as the iLife applications.

To install the applications that came with your computer:

- 1 Back up your important files.
- 2 Insert the *Applications Install DVD* that came with your computer.
- 3 Double-click Install Bundled Software.
- 4 Follow the onscreen instructions.
- 5 When the installation is complete, click Close.

Maximizing Ethernet Performance

Your computer performs best when the Ethernet port to which it is connected is set to autonegotiate. Ask your network administrator to verify this setting.

Important: If you experience connection problems on your network, make sure your network switch is set to autonegotiate, if possible. If a switch's port is not autonegotiating, your computer detects the appropriate speed but defaults to half-duplex mode. If the switch's port at the other end of the link is configured for full-duplex mode, a large number of late events can occur on the link. If it isn't possible to set the switch to autonegotiate, then set the switch's port to half-duplex. For more information, see the documentation that came with the Ethernet switch.

Note: If you connect your computer directly to a configurable Ethernet switch, have your network administrator disable the spanning tree protocol on that port. Otherwise your computer may duplicate the AppleTalk address of another computer on the same network and both network connections may become unreliable.

Learning More, Service, and Support

If your Mac Pro needs service, take it to an Apple Authorized Service Provider or contact Apple for service. You can find more information about your Mac Pro through online resources, onscreen help, System Profiler, or Apple Hardware Test.

If you didn't order AirPort wireless technology with your Mac Pro, contact an Apple Authorized Service Provider or an Apple Store to purchase it and have it installed.

Online Resources

For online service and support information, go to www.apple.com/support. Choose your country from the pop-up menu. You can search the AppleCare Knowledge Base, check for software updates, or get help from Apple's discussion boards.

Onscreen Help

You can often find answers to your questions, as well as instructions and troubleshooting information, in Mac Help. Choose Help > Mac Help.

System Profiler

To get information about your computer, use System Profiler. System Profiler shows you which hardware and software is installed, the serial number and operating system version, how much memory is installed, and more. To open System Profiler, choose Apple (🍏) > About This Mac from the menu bar and then click More Info.

Apple Hardware Test

You can use Apple Hardware Test to diagnose hardware problems on your Mac Pro. For more information, see “Using Apple Hardware Test” on page 89.

AppleCare Service and Support

Your Mac Pro comes with 90 days of technical support and one year of hardware repair warranty coverage at an Apple Store retail location or an Apple-authorized repair center, such as Apple Authorized Service Provider (AASP). You can extend your coverage by purchasing the AppleCare Protection Plan. For information, visit www.apple.com/support/products or visit the website address for your country listed in the table.

If you need assistance, AppleCare telephone support representatives can help you with installing and opening applications, and basic troubleshooting. Call the support center number nearest you (the first 90 days are complimentary). Have the purchase date and your Mac Pro serial number ready when you call.

Note: Your 90 days of complimentary telephone support begins on the date of purchase. Telephone fees may apply.

Country	Phone	Website
United States	1-800-275-2273	www.apple.com/support
Australia	(61) 1-300-321-456	www.apple.com/au/support
Canada (English) (French)	1-800-263-3394	www.apple.com/ca/support www.apple.com/ca/fr/support
Ireland	(353) 1850 946 191	www.apple.com/ie/support
New Zealand	00800-7666-7666	www.apple.com/nz/support
United Kingdom	(44) 0870 876 0753	www.apple.com/uk/support

Telephone numbers are subject to change, and local and national telephone rates may apply. A complete list is available on the web:

www.apple.com/contact/phone_contacts.html

Locating Your Serial Number

Use any of these methods to find your Mac Pro serial number:

- Choose Apple () from the menu bar and then choose About This Mac. Click the version number beneath the words “Mac OS X” to cycle through the Mac OS X version number, the build version, and the serial number.
- Open System Profiler (in /Applications/Utilities/) and click Hardware.
- Look on the configuration label, which is located on the back of your Mac Pro near the video ports.

5

What's Under the Hood

www.apple.com/macpro

Mac Help  System Profiler

The technical specifications of your Mac Pro are included in this section.

Specifications

Use System Profiler to find detailed information about your Mac Pro, including the amount of installed memory, hard disk size, connected devices, and product serial number. To open System Profiler, choose Apple () > About This Mac from the menu bar, and then click More Info.

Processor and Memory Specifications

Processor

- One or two Quad-Core Intel Xeon series processors
- 8 MB of shared L3 cache per processor

Random-access memory (RAM)

- Unbuffered dual inline memory modules (UDIMMs)
- PC3-8500, 1066 MHz, DDR3 SDRAM UDIMMs
- DIMM slots
 - Eight slots available in an 8-core Mac Pro
 - Four slots available in a quad-core Mac Pro
- Error-correcting code (ECC)
- 72-bit wide, 240-pin ECC modules
- 36 ICs maximum per ECC UDIMM
- Must conform to JEDEC specification (see page 41)
- Nonparity

Graphics Card

PCI Express 2.0 graphics card with a dual-link Digital Visual Interface (DVI) connector and a Mini DisplayPort connector.

Video Display Modes

For technical specifications for your display:

- *Apple displays:* Go to www.apple.com/displays
- *Non-Apple displays:* Go to www.apple.com/guide

Storage

- Four independent 3 Gb/s Serial ATA (SATA), cable-free, direct-attach 3.5-inch hard drive bays
 - *Type:* SATA 3 Gb/s
 - *Width:* 3.9 inches (102 mm)
 - *Depth:* 5.7 inches (147 mm)
 - *Height:* 1.0 inch (25.4 mm)
- Four internal hard drive carriers

PCI Express Expansion

- Four full-length PCI Express expansion slots (slot 1 contains the graphics card)
 - Slots 1 and 2 are x16, PCI Express 2.0 slots
 - Slots 3 and 4 are x4, PCI Express 2.0 slots
- All four slots can support 16-lane cards
- 300 W combined maximum for all PCI Express slots

SuperDrive (DVD±R DL/DVD±RW/CD-RW) Specifications

- *Disc diameters supported:* 12 cm and 8 cm

Data formats

- CD-ROM
- CD-Audio
- CD-R
- CD-RW
- CD-I
- CD-I Bridge
- CD Extended
- CD Mixed Mode
- Photo CD
- Video CD
- Enhanced CD
- DVD-Video
- DVD±R

- DVD±RW
- DVD±R DL

USB Specifications

- Support for Universal Serial Bus (USB) 2.0 and 1.1
- Seven external USB Type A ports
 - Two USB 2.0 ports on the front
 - Three USB 2.0 ports on the back
 - Two USB 2.0 ports on the Apple Keyboard
- Each USB port (front and rear) is on a separate 480 megabit-per-second (Mbit/s) USB channel
- 500 milliamperes (mA) available for a total of 1.5 A on the rear and 1.0 A on the front

FireWire Specifications

- *Four external FireWire ports:* Two FireWire 800 ports (9-pin) on the front and two on the back
- *Data transfer speed:* 100, 200, 400, and 800 Mbit/s

Power

- *Output voltage:* Approximately 12 V
- *Output power:* Up to a maximum of 28 W for all 4 ports or 12 W for any one port

Ethernet Specifications

- IEEE 802.3 compliant
- *Maximum cable length:* 328 feet (100 meters)
- *Protocols:* Open Transport, AppleShare, AppleTalk, NetWare for Macintosh, TCP/IP
- *Connector:* RJ-45 for 10Base-T, 100Base-TX, and 1000Base-T
- *Media, 10Base-T:* Category (CAT) 3 or higher UTP on 2 pairs up to 100 m
- *Media, 100Base-TX:* CAT 5e UTP on 2 pairs up to 100 m
- *Media, 1000Base-T:* CAT 5e UTP on 4 pairs up to 100 m
- *Channel speeds:* IEEE Autonegotiation of 10Base-T, 100Base-TX, and 1000Base-T

Bluetooth 2.1+EDR Specifications

- *Wireless data rate:* Up to 3 Mbit/s
- *Range:* Up to 33 feet or 10 meters (data rates may vary depending on environmental conditions)
- *Frequency band:* 2.4 gigahertz (GHz)

AirPort Extreme Specifications (Optional)

- *Frequency band:* 2.4 and 5 gigahertz (GHz)
- *Radio output power:* 20 dBm (nominal)

Compatibility

- 802.11a, b, g, and n

Optical Digital Audio Specifications

- *Data format:* Sony/Phillips Digital Interface (S/PDIF) protocol (IEC60958-3)
- *Connector type:* TosLINK optical (IEC60874-17)
- *Bits per sample:* 16-bit, 20-bit, or 24-bit

Optical digital audio out

Based on a typical situation with playback of a 1 kHz, 0dBFS 24-bit sine wave, 44.1 kHz output sample rate, unless otherwise specified below.

- *Output sample rate:* 44.1 kHz, 48 kHz, or 96 kHz
- *Signal-to-noise ratio:* Greater than 130 dB
- *Total harmonic distortion + noise:* Less than -130 dB (0.00003 percent)

Optical digital audio in

Based on a typical situation with playback of a 1 kHz, 0dBFS 24-bit sine wave, unless otherwise specified below.

- *Input sample rate:* 44.1 kHz, 48 kHz, or 96 kHz
- *Signal-to-noise ratio:* Greater than 130 dB
- *Total harmonic distortion + noise:* Less than -130 dB (0.00003 percent)

Analog Audio Specifications

- *Sample rate:* 44.1 kHz, 48 kHz, or 96 kHz
- *Jack type:* 1/8" mini
- *Bits per sample:* 16-bit, 20-bit, or 24-bit
- *Frequency response:* 20 Hz to 20 kHz, +0.5 dB/-3 dB

Analog audio out using the headphone jack (typical values)

Based on a typical situation with playback of a 1 kHz, -3dBFS 24-bit sine wave, 44.1 kHz output sample rate into 150 ohms, unless otherwise specified below.

- *Output voltage:* 1.3 volts (root mean square) (V_{rms}) (+4.5 dBu)
- *Output impedance:* 55 ohms
- *Output power:* 53 milliwatts (mW) into 32 ohms
- *Signal-to-noise ratio:* Greater than 90 dB
- *Total harmonic distortion + noise:* Less than -70 dB (.03 percent)
- *Channel separation:* Greater than 50 dB

Analog audio line in (typical values)

Based on a typical situation with playback of a 1 kHz, -3dBFS 24-bit sine wave, 44.1 kHz output sample rate, unless otherwise specified below.

- *Maximum input voltage:* $2 V_{\text{rms}}$ (+8.2 dBu)
- *Input impedance:* Greater than 17 kilohms
- *Signal-to-noise ratio:* Greater than 90 dB
- *Total harmonic distortion + noise:* Less than -85 dB (.006 percent)
- *Channel separation:* Greater than 85 dB

Analog audio line out (typical values)

Based on a typical situation with playback of a 1 kHz, -3dBFS 24-bit sine wave, 44.1 kHz output sample rate into 100 kilohms, unless otherwise specified below.

- *Output voltage:* $2 V_{\text{rms}}$ (+8.2 dBu)
- *Output impedance:* 33 ohms

- *Signal-to-noise ratio*: Greater than 90 dB
- *Total harmonic distortion + noise*: Less than -85 dB (.006 percent)
- *Channel separation*: Greater than 85 dB

External microphone input using the headphone jack (typical values)

Based on a typical situation with playback of a 1 kHz, 28 mV_{rms} sine wave, 44.1 kHz input sample rate, 24-bit sampling, unless otherwise specified below.

- *Maximum input voltage*: 39 mV_{rms} (-26 dBu)
- *Input impedance*: Greater than 1 kilohm
- *Signal-to-noise ratio*: Greater than 60 dB
- *Total harmonic distortion + noise*: Less than -60 dB (0.1 percent)
- *Frequency response*: 100 Hz to 8.2 kHz, +0.5 dB/-3 dB

Power Supply

AC line input

- *Voltage ranges*: 100–240 V alternating current (AC)
- *Current*: Maximum of 12 A (low voltage range) or 6 A (high voltage range)
- *Frequency*: 50–60 Hz single phase

Power Requirements for Expansion Cards and Peripherals

Expansion cards

Combined maximum power consumption for all four PCI Express slots should not exceed 300 watts (W).

USB devices

Each of the computer's built-in USB ports is allotted 500 mA.

FireWire devices

The computer can provide up to 28 W total to the FireWire ports.

System Clock and Battery

Your computer has CMOS custom circuitry with a long-life battery.

Battery

Use a 3-volt, BR 2032 Lithium coin cell replacement battery (see “Replacing the Internal Backup Battery” on page 74).

Dimensions and Operating Environment

Dimensions

- *Weight:* 39.9 lbs. (18.1 kg)

The weight depends on the configuration. The weight above is for a basic configuration and may be greater if optional devices are installed.

- *Height:* 20.1 inches (51.1 cm)
- *Width:* 8.1 inches (20.6 cm)
- *Depth:* 18.7 inches (47.5 cm)

Operating environment

- *Operating temperature:* 50° to 95° F (10° to 35° C)
- *Storage temperature:* -40° to 116° F (-40° to 47° C)
- *Relative humidity:* 5% to 95% (noncondensing)
- *Maximum altitude:* 10,000 feet (3048 meters)

6

Last, but Not Least

www.apple.com/environment

Mac Help  ergonomics

This chapter provides important information about safety procedures, routine maintenance, and ergonomic considerations for using your Mac Pro and display.

For your safety and that of your equipment, follow these rules for handling and cleaning your Mac Pro and for working more comfortably. Keep these instructions handy for reference by you and others.

NOTICE: Incorrect storage or use of your computer may void the manufacturer's warranty.

Important Safety Information

WARNING: Failure to follow these safety instructions could result in fire, electric shock, or other injury or damage.

The only way to disconnect power completely from your Mac Pro is to unplug the power cord from the main power supply. To disconnect your display completely, you must also unplug its power cable from the computer or power outlet. Make sure that at least one end of the device's power cord is within easy reach so that you can unplug the computer or display when necessary.

Always take the following precautions.

Disconnect the power plug (by pulling the plug, not the cord), from your computer or display and disconnect the phone cord if any of the following conditions exist:

- The power cord or plug becomes frayed or otherwise damaged
- You spill something into the case

- Your computer or display is exposed to rain or any other excess moisture
- Your computer or display has been dropped or the case has been otherwise damaged
- You suspect that your computer or display needs service or repair
- You want to clean the computer or the case or screen of the display

If you plan to store your computer for an extended period of time, remove the battery.

For service or questions about your warranty, contact an Apple Authorized Service Provider or Apple. See “Learning More, Service, and Support” on page 92.

General Maintenance

If you need to clean the computer or display by doing more than wiping it down with a clean cloth, follow these instructions:

- 1 Turn off your computer and display.
- 2 Disconnect the computer power cable from the electrical outlet or power strip. If your display is connected to an outlet, disconnect it as well.
- 3 Disconnect the display's cables from the computer.
- 4 Clean the display screen with soft, lint-free paper or cloth dampened with mild soap and water.

WARNING: Do not spray liquid directly onto the display screen. Liquid could drip inside the display and cause electrical shock.

- 5 Wipe the computer or display case surfaces lightly with a clean, soft cloth dampened with water.

NOTICE: Don't use alcohol, aerosol sprays, solvents, or abrasives that might damage the finish on the case.

Protecting Your Optical Drive

To keep your optical drive working properly:

- Position your computer so that the drive tray doesn't bump into anything when it opens.
- Close the drive when you're not using it.
- Do not put anything on the drive tray when it is open.
- Do not touch the optical drive lens with your fingers. Do not wipe the lens with a paper towel or other abrasive surface. If you need to clean the lens, see an Apple Authorized Service Provider for a lens cleaner.
- Keep your computer away from any source of moisture.

Laser Information for Optical Disc Drive

For your safety, have the optical drive serviced only by an Apple Authorized Service Provider.

WARNING: Making adjustments or performing procedures other than those specified in your equipment's manual may result in hazardous radiation exposure. The optical disc drive in your computer contains a laser that is safe in normal use but that may be harmful to your eyes if disassembled.

Maintaining Your Display

To maintain your display and ensure its long life:

- Do not press on the surface of the display screen.
- Do not write on the screen or touch the screen with a sharp object.
- If you will not be using your computer for a day or more, turn off the computer and, if the display has a power button, turn off the display. You can also use Energy Saver.

Cleaning Your Apple Mouse

You may need to clean your mouse from time to time to remove dirt and dust that has accumulated in the scroll ball area. Hold the mouse upside-down and roll the scroll ball vigorously using a clean, soft, lint-free cloth to help dislodge any particles that may interfere with proper scrolling.

Understanding Ergonomics

Here are some tips for setting up a healthy work environment.

Keyboard

When you use the keyboard, your shoulders should be relaxed. Your upper arm and forearm should form an approximate right angle, with your wrist and hand in roughly a straight line.

Change hand positions often to avoid fatigue. Some computer users might develop discomfort in their hands, wrists, or arms after intensive work without breaks. If you begin to develop chronic pain or discomfort in your hands, wrists, or arms, consult a qualified health specialist.

Mouse

Position the mouse at the same height as the keyboard and within a comfortable reach.

Chair

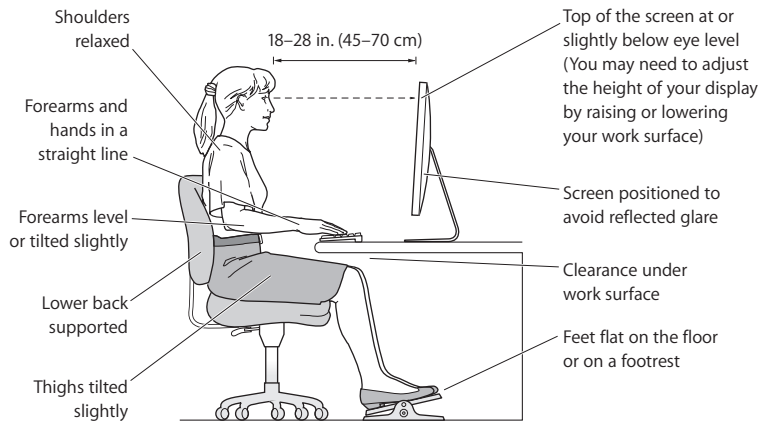
An adjustable chair that provides firm, comfortable support is best. Adjust the height of the chair so your thighs are horizontal and your feet are flat on the floor. The back of the chair should support your lower back (lumbar region). Follow the manufacturer's instructions for adjusting the backrest to fit your body properly.

You might have to raise your chair so that your forearms and hands are at the proper angle to the keyboard. If this makes it impossible to rest your feet flat on the floor, use a footrest with adjustable height and tilt to make up for any gap between the floor and your feet. Or you can lower the desktop to eliminate the need for a footrest. Another option is to use a desk with a keyboard tray that's lower than the regular work surface.

Display

Arrange the display so that the top of the screen is slightly below eye level when you're sitting at the keyboard. The best distance from your eyes to the screen is up to you, although most people seem to prefer 18 to 28 inches (45 to 70 cm).

Position the display to minimize glare and reflections on the screen from overhead lights and nearby windows. If possible, use a tiltable display stand. The stand lets you set the display at the best angle for viewing, helping to reduce or eliminate glare from lighting sources you can't move.



More information about ergonomics is available on the web:

www.apple.com/about/ergonomics

Avoid Hearing Damage

WARNING: Permanent hearing loss may occur if earbuds or headphones are used at high volume. You can adapt over time to a higher volume of sound that may sound normal but can be damaging to your hearing. If you experience ringing in your ears or muffled speech, then stop listening and have your hearing checked. The louder the volume, the less time required before your hearing can be affected. Hearing experts suggest that to protect your hearing:

- Limit the amount of time you use earbuds or headphones at high volume
- Avoid turning up the volume to block out noisy surroundings
- Turn the volume down if you can't hear people speaking to you

Apple and the Environment

Apple Inc. recognizes its responsibility to minimize the environmental impacts of its operations and products.

More information is available on the web:

www.apple.com/environment

Regulatory Compliance Information

Compliance Statement

This device complies with part 15 of the FCC rules. Operation is subject to the following two conditions: (1) This device may not cause harmful interference, and (2) this device must accept any interference received, including interference that may cause undesired operation. See instructions if interference to radio or television reception is suspected.

L'utilisation de ce dispositif est autorisée seulement aux conditions suivantes : (1) il ne doit pas produire de brouillage et (2) l'utilisateur du dispositif doit être prêt à accepter tout brouillage radioélectrique reçu, même si ce brouillage est susceptible de compromettre le fonctionnement du dispositif.

Radio and Television Interference

This computer equipment generates, uses, and can radiate radio-frequency energy. If it is not installed and used properly—that is, in strict accordance with Apple's instructions—it may cause interference with radio and television reception.

This equipment has been tested and found to comply with the limits for a Class B digital device in accordance with the specifications in Part 15 of FCC rules. These specifications are designed to provide reasonable protection against such interference in a residential installation. However, there is no guarantee that interference will not occur in a particular installation.

You can determine whether your computer system is causing interference by turning it off. If the interference stops, it was probably caused by the computer or one of the peripheral devices.

If your computer system does cause interference to radio or television reception, try to correct the interference by using one or more of the following measures:

- Turn the television or radio antenna until the interference stops.
- Move the computer to one side or the other of the television or radio.
- Move the computer farther away from the television or radio.
- Plug the computer into an outlet that is on a different circuit from the television or radio. (That is, make certain the computer and the television or radio are on circuits controlled by different circuit breakers or fuses.)

If necessary, consult an Apple Authorized Service Provider or Apple. See the service and support information that came with your Apple product. Or, consult an experienced radio/television technician for additional suggestions.

Important: Changes or modifications to this product not authorized by Apple Inc. could void the EMC compliance and negate your authority to operate the product.

This product has demonstrated EMC compliance under conditions that included the use of compliant peripheral devices and shielded cables between system components. It is important that you use compliant peripheral devices and shielded cables (including Ethernet network cables) between system components to reduce the possibility of causing interference to radios, television sets, and other electronic devices.

Responsible party (contact for FCC matters only):

Apple Inc. Corporate Compliance
1 Infinite Loop, MS 26-A
Cupertino, CA 95014-2084

Wireless Radio Use

This device is restricted to indoor use due to its operation in the 5.15 to 5.25 GHz frequency range to reduce the potential for harmful interference to co-channel Mobile Satellite systems.

Cet appareil doit être utilisé à l'intérieur.

Exposure to Radio Frequency Energy

The radiated output power of the optional AirPort Card in this device is below the FCC and EU radio frequency exposure limits for uncontrolled equipment. This device should be operated with a minimum distance of at least 20 cm between the AirPort Card antennas and a person's body and must not be co-located or operated with any other antenna or transmitter.

FCC Bluetooth Wireless Compliance

The antenna used with this transmitter must not be colocated or operated in conjunction with any other antenna or transmitter subject to the conditions of the FCC Grant.

Bluetooth Industry Canada Statement

This Class B device meets all requirements of the Canadian interference-causing equipment regulations. Cet appareil numérique de la Class B respecte toutes les exigences du Règlement sur le matériel brouilleur du Canada.

Industry Canada Statement

Complies with the Canadian ICES-003 Class B specifications. Cet appareil numérique de la classe B est conforme à la norme NMB-003 du Canada. This device complies with RSS 210 of Industry Canada.

Europe-EU Declaration of Conformity

See www.apple.com/euro/compliance.

Korea Warning Statements

“당해 무선설비는 운용 중 전파혼신 가능성이 있음”

“이 기기는 인명안전과 관련된 서비스에 사용할 수 없습니다”

B급 기기(가정용 방송통신기기)

이 기기는 가정용(B급)으로 전자파적합등록을 한 기기로서 주로 가정에서 사용하는 것을 목적으로 하며, 모든 지역에서 사용할 수 있습니다.

Singapore Wireless Certification

Complies with
IDA Standards
DB00063

Taiwan Wireless Statements

無線設備的警告聲明

經型式認證合格之低功率射頻電機，非經許可，公司、商號或使用者均不得擅自變更頻率、加大功率或變更原設計之特性及功能。低功率射頻電機之使用不得影響飛航安全及干擾合法通信；經發現有干擾現象時，應立即停用，並改善至無干擾時方得繼續使用。前項合法通信指依電信法規定作業之無線電通信。低功率射頻電機須忍受合法通信或工業、科學及醫療用電波輻射性電機設備之干擾。

如有這 頻率:

於 5.25GHz 至 5.35GHz 區域內操作之
無線設備的警告聲明

工作頻率 5.250 ~ 5.350GHz 該頻段限於室內使用。

Taiwan Class B Statement

Class B 設備的警告聲明

NIL

VCCI Class B Statement

情報処理装置等電波障害自主規制について

この装置は、情報処理装置等電波障害自主規制協議会 (VCCI) の基準に基づくクラス B 情報技術装置です。この装置は家庭環境で使用されることを目的としていますが、この装置がラジオやテレビジョン受信機に近接して使用されると、受信障害を引き起こすことがあります。

取扱説明書に従って正しい取扱をしてください。

Mouse Class 1 LED Information

The Apple Mouse is a Class 1 LED product in accordance with IEC 60825-1 A1 A2.

It also complies with the Canadian ICES-003 Class B Specification.

External USB Modem Information

When connecting your Mac Pro to the phone line using an external USB modem, refer to the telecommunications agency information in the documentation that came with your modem.

中国

有毒或有害物質	零部件		
	电路板	附件	键盘 / 鼠标
鉛 (Pb)	X	X	X
汞 (Hg)	0	0	0
镉 (Cd)	0	0	0
六价铬 (Cr, VI)	0	0	0
多溴联苯 (PBB)	0	0	0
多溴二苯醚 (PBDE)	0	0	0

0: 表示该有毒有害物質在该部件所有均质材料中的含量均在 SJ/T 11363-2006 规定的限量要求以下。

X: 表示该有毒有害物質至少在该部件的某一均质材料中的含量超出 SJ/T 11363-2006 规定的限量要求。

根据中国电子行业标准 SJ/T11364-2006 和相关的中国政府法规，本产品及其某些内部或外部组件上可能带有环保使用期限标识。取决于组件和组件制造商，产品及其组件上的使用期限标识可能有所不同。组件上的使用期限标识优先于产品上任何与之相冲突的或不同的环保使用期限标识。

ENERGY STAR® Compliance



As an ENERGY STAR® partner, Apple has determined that standard configurations of this product meet the ENERGY STAR® guidelines for energy efficiency. The ENERGY STAR® program is a partnership with electronic equipment manufacturers to promote energy-efficient products. Reducing energy consumption of products saves money and helps conserve valuable resources.

This computer is shipped with power management enabled with the computer set to sleep after 10 minutes of user inactivity. To wake your computer, click the mouse or trackpad button or press any key on the keyboard.

For more information about ENERGY STAR®, visit: www.energystar.gov

Disposal and Recycling Information



This symbol indicates that your product must be disposed of properly according to local laws and regulations. When your product reaches its end of life, contact Apple or your local authorities to learn about recycling options.

For information about Apple's recycling program, go to www.apple.com/environment/recycling.

Battery Disposal Information

Dispose of batteries according to your local environmental laws and guidelines.

Deutschland: Dieses Gerät enthält Batterien. Bitte nicht in den Hausmüll werfen. Entsorgen Sie dieses Gerätes am Ende seines Lebenszyklus entsprechend der maßgeblichen gesetzlichen Regelungen.

Nederlands: Gebruikte batterijen kunnen worden ingeleverd bij de chemokar of in een speciale batterijcontainer voor klein chemisch afval (kca) worden gedeponeerd.



Taiwan:



廢電池請回收

European Union—Disposal Information



The symbol above means that according to local laws and regulations your product should be disposed of separately from household waste. When this product reaches its end of life, take it to a collection point designated by local authorities. Some collection points accept products for free. The separate collection and recycling of your product at the time of disposal will help conserve natural resources and ensure that it is recycled in a manner that protects human health and the environment.

Looking for Something?

Index

A

adapter

- Apple Mini DisplayPort to
VGA Adapter 14

- DVI to ADC 14

- DVI to VGA 14

AirPort Extreme

- about 33

- specifications 100

analog audio

- line in 29

- line out 29

- specifications 101

AppleCare Service and

- Support 93

Apple Hardware Test 93

Apple Keyboard 25

applications

- force quit 79

- freezing 81

- Front Row 33

- iLife 91

- installing 91

- problems 81

assistants

- Migration Assistant 18

- Setup Assistant 17

- audio specifications 101

B

battery

- disposal 116

- internal backup battery 31

- replacing 74

- specifications 104

- blinking question mark 19

Bluetooth

- about 33

- specifications 100

- brightness keys 25

C

- CD-RW 98

- chair 110

changing

- the desktop 18

- System Preferences 18

cleaning

- computer 107

- display 107

- mouse 109

- computer disposal 116

- computer won't turn on 79

connecting

- a keyboard 16

- a mouse 16

- dial-up modem 15

controls

- brightness 25

- eject CD or DVD 25

- Front Row 25

- media 25

- mute 25

- volume 25

D

- Dashboard key 25

- deauthorizing iTunes

- account 17

- desktop, customizing 18

- dial-up connection 15

- dimensions 104

DIMMs

- installing 41, 42, 43, 52

- location 31

- specifications 96

- discharging static 38

- disconnect power 106

- display 29, 97, 110

- disposal of

- batteries 116

- computer 116
- Dock 32
- downloading software 82
- DVD 98
- DVI display port 29

E

- environmental impact 112
- ergonomics 109
 - mouse 110
- Escape key 25
- Ethernet
 - maximizing
 - performance 91
 - ports 27
 - specifications 100
- expansion cards 103
- Exposé key 25
- external USB modem 15, 23, 27

F

- F1 to F19 function keys 25
- factory settings 90
- Finder 32
- FireWire
 - connections 33
 - devices 104
 - ports 27
 - specifications 99
- Force Quit 81, 85
- Front Row
 - application 33

- key 25
- frozen application 81
- function (fn) key 25

G

- general maintenance 107
- graphics card 97

H

- hand positions 109
- hard disk drive 31, 59
- headphone jack 23, 102

I

- iLife applications 33, 91
- installing
 - applications 90, 91
 - hard disk drives 59
 - Mac OS X 90
 - memory 41
 - PCI Express cards 69
 - SuperDrive 63
- Internet problems 87
- iTunes Store 17

J

- JEDEC specification 41, 96

K

- keyboard
 - connecting 16
 - ergonomics 109

- extender cable 17
- features 24
- function keys 25
- wireless 17

keys

- brightness 25
- Dashboard 25
- Escape 25
- Exposé 25
- Front Row 25
- function 25
- media 25
- Media Eject 25
- Mute 25
- volume 25

L

- latch 27, 51

M

- Mac Help 18, 32, 78
- Mac OS X
 - information about 32
 - installing 90
 - keeping up to date 82
- maintenance 107
- Media Eject key 25
- media keys 25
- memory
 - installing 41
 - location 31
 - specifications 96

- Migration Assistant 18
- modem
 - cable 27
 - DSL 27
 - external USB 15, 23, 27
- mouse
 - cleaning 109
 - connecting 16
 - ergonomics 110
 - USB connection 23, 27
 - wireless 17
- Mute key 25

N

- network
 - connections 88
 - diagnostics 86
- no image on screen 84

O

- online resources 92
- opening your Mac Pro 37
- operating environment 104
- optical digital audio
 - ports 29
 - specifications 101
- optical drive
 - about 23, 31
 - installing 59
 - specifications 98

P

- PCI Express
 - expansion slots 29, 31
 - graphics card 31
 - installing cards 69
 - specifications 103
- peripherals 103
- ports
 - audio 29
 - display 14, 29
 - Ethernet 15, 27
 - FireWire 23, 27, 99
 - power 99
 - USB 16, 23, 27, 99
- power button 17, 23
- power cord 12
- power requirements 103
- power socket 27
- power supply 103
- problems
 - See troubleshooting
- processor 96

Q

- question mark, blinking 19

R

- RAM
 - installing 41
 - location 31
 - specifications 96

- reinstalling software 90
- reset the PRAM 79

S

- safety information 106
- SAS drive 59
- screen, setting brightness 25
- screen freezes 85
- Serial ATA drive 59
- Serial Attached SCSI drive 59
- serial number 94
- service and support
 - information 93
- setting up 11
- Setup Assistant 17
- shutting off power 11, 20, 37
- sleep 19, 23
- software
 - installation discs 90
 - updating 82
- specifications
 - AirPort Extreme 100
 - analog audio 102
 - audio 101
 - battery 104
 - Bluetooth 100
 - Ethernet 100
 - expansion cards 103
 - FireWire 99
 - graphics card 97
 - headphone jack 102

- JEDEC 41, 96
- memory 96
- optical digital audio 101
- optical drive 98
- PCI Express cards 103
- peripherals 103
- power supply 103
- processor 96
- SuperDrive 98
- system clock 104
- System Profiler 33, 96
- static, discharging 38
- status light 23, 80
- stopping an application 81
- SuperDrive
 - about 23, 31
 - replacing 63
 - specifications 98
- system clock 104
- System Preferences
 - customizing the desktop 18
 - Software Update 82
- System Profiler 33, 82, 96

T

- telephone support 94
- transferring information 17
- troubleshooting
 - AppleCare 93
 - applications 81
 - connecting to Internet 87

- DSL modem 87
- Force Quit 79
- Internet connection 86
- network connection 88
- PPPoE connection 87
- reinstalling Mac OS X 90
- service and support
 - information 93
 - status light flashes 80
 - using Apple Hardware Test 89
- typing position 109

U

- unable to eject a disc 80
- updating software 82
- USB

- connections 33
- devices 103
- keyboard and mouse,
 - connecting 16
- ports 23, 27
- specifications 99
- user account
 - setting up 17
 - transferring information 17

V

- video display modes 97
- Volume keys 25

W

- wireless
 - AirPort technology 33
 - Bluetooth technology 33
 - keyboard 17
 - mouse 17

 Apple Inc.

© 2009 Apple Inc. All rights reserved.

Under the copyright laws, this manual may not be copied, in whole or in part, without the written consent of Apple.

The Apple logo is a trademark of Apple Inc., registered in the U.S. and other countries. Use of the “keyboard” Apple logo (Option-Shift-K) for commercial purposes without the prior written consent of Apple may constitute trademark infringement and unfair competition in violation of federal and state laws.

Every effort has been made to ensure that the information in this manual is accurate. Apple is not responsible for printing or clerical errors.

Apple

1 Infinite Loop

Cupertino, CA 95014-2084

408-996-1010

www.apple.com

Apple, the Apple logo, Apple Cinema Display, AirPort, AirPort Extreme, AppleShare, AppleTalk, Cover Flow, Exposé, FireWire, GarageBand, iCal, iLife, iMovie, iPhoto, iPod, iTunes, Keynote, Mac, Mac OS, Macintosh, Macintosh Products Guide, Safari, and SuperDrive are trademarks of Apple Inc., registered in the U.S. and other countries.

Finder, the FireWire logo, iPhone, iWeb, Spotlight, and Time Machine are trademarks of Apple Inc.

AppleCare, Apple Store, and iTunes Store are service marks of Apple Inc., registered in the U.S. and other countries.

Intel, Intel Core, and Xeon are trademarks of Intel Corp. in the U.S. and other countries.

The Bluetooth word mark and logos are owned by the Bluetooth SIG, Inc. and any use of such marks by Apple Inc. is under license.

This product includes software developed by the University of California, Berkeley, FreeBSD, Inc., The NetBSD Foundation, Inc., and their respective contributors.

ENERGY STAR® is a U.S. registered trademark.

Other company and product names mentioned herein are trademarks of their respective companies. Mention of third-party products is for informational purposes only and constitutes neither an endorsement nor a recommendation. Apple assumes no responsibility with regard to the performance or use of these products.

Manufactured under license from Dolby Laboratories.

“Dolby,” “Pro Logic,” and the double-D symbol are trademarks of Dolby Laboratories. Confidential Unpublished Works, © 1992–1997 Dolby Laboratories, Inc. All rights reserved.

The product described in this manual incorporates copyright protection technology that is protected by method claims of certain U.S. patents and other intellectual property rights owned by Macrovision Corporation and other rights owners. Use of this copyright protection technology must be authorized by Macrovision Corporation and is intended for home and other limited viewing uses only unless otherwise authorized by Macrovision Corporation. Reverse engineering or disassembly is prohibited.

Apparatus Claims of U.S. Patent Nos. 4,631,603, 4,577,216, 4,819,098 and 4,907,093 licensed for limited viewing uses only.

Simultaneously published in the United States and Canada.