



# Wind Monitor Series

05103, 05108, 05108-45, and 05305



# Please read first

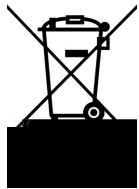
---

## About this manual

Please note that this manual was produced by Campbell Scientific Inc. primarily for the North American market. Some spellings, weights and measures may reflect this. In addition, while most of the information in the manual is correct for all countries, certain information is specific to the North American market and so may not be applicable to European users. Differences include the U.S. standard external power supply details where some information (for example the AC transformer input voltage) will not be applicable for British/European use. Please note, however, *that when a power supply adapter is ordered from Campbell Scientific it will be suitable for use in your country.*

Reference to some radio transmitters, digital cell phones and aerials (antennas) may also not be applicable according to your locality. Some brackets, shields and enclosure options, including wiring, are not sold as standard items in the European market; in some cases alternatives are offered.

## Recycling information for countries subject to WEEE regulations 2012/19/EU



At the end of this product's life it should not be put in commercial or domestic refuse but sent for recycling. Any batteries contained within the product or used during the product's life should be removed from the product and also be sent to an appropriate recycling facility, per [The Waste Electrical and Electronic Equipment \(WEEE\) Regulations 2012/19/EU](#). Campbell Scientific can advise on the recycling of the equipment and in some cases arrange collection and the correct disposal of it, although charges may apply for some items or territories. For further support, please contact Campbell Scientific, or your local agent.

# Table of contents

---

<b>1. Introduction</b> .....	<b>1</b>
<b>2. Precautions</b> .....	<b>1</b>
<b>3. Initial inspection</b> .....	<b>2</b>
<b>4. QuickStart</b> .....	<b>2</b>
<b>5. Overview</b> .....	<b>5</b>
<b>6. Specifications</b> .....	<b>6</b>
<b>7. Installation</b> .....	<b>8</b>
7.1 Wiring .....	9
7.2 Programming .....	9
7.2.1 Wind speed .....	10
7.2.2 Wind direction .....	10
7.2.3 WindVector processing instruction .....	11
7.3 Siting .....	11
7.4 Assembly and mounting .....	11
<b>8. Sensor maintenance</b> .....	<b>14</b>
<b>9. Troubleshooting</b> .....	<b>15</b>
<b>10. References</b> .....	<b>16</b>
<b>Appendix A. Importing Short Cut code into CRBasic Editor</b> .....	<b>17</b>
<b>Appendix B. Example program</b> .....	<b>18</b>
<b>Appendix C. Determining true north and sensor orientation</b> .....	<b>20</b>
<b>Appendix D. Wind direction measurement theory</b> .....	<b>23</b>

# 1. Introduction

---

Wind monitors measure horizontal wind speed and direction. The different models are designed for different applications (Table 1-1 [p. 1]). The wind monitors are manufactured by R. M. Young.

Model	Description
05103	Standard wind monitor
05108	Heavy-duty wind monitor that greatly extends service life
05108-45	Heavy-duty wind monitor for alpine applications
05305	High-performance wind monitor for air quality applications

**NOTE:**

This manual provides information only for CRBasic data loggers. For retired Edlog data logger support, see an older manual at [www.campbellsci.com/old-manuals](http://www.campbellsci.com/old-manuals) .

# 2. Precautions

---

- READ AND UNDERSTAND the [Safety](#) section at the back of this manual.
- The wind monitor is a precision instrument. Please handle it with care.
- Do not use cable lengths greater than 30 m (98 ft) in electrically noisy environments.
- The black outer jacket of the cable is Santoprene® rubber. This compound was chosen for its resistance to temperature extremes, moisture, and ultraviolet (UV) degradation. However, this jacket will support combustion in air. It is rated as slow burning when tested according to U.L. 94 H.B. and will pass FMVSS302. Local fire codes may preclude its use inside buildings.
- Wire color and functions of sensors purchased through Campbell Scientific may not correspond with the wire colors and functions given in the manufacturer's manual. To ensure proper function, follow the wiring provided in *Short Cut* or in the Campbell Scientific manual.

- Wind monitors purchased directly from R. M. Young may not have the 1 MΩ resistor used to short the readings in the dead band to ground.

## 3. Initial inspection

---

- Upon receipt of the wind monitor, inspect the packaging and contents for damage. File damage claims with the shipping company. Immediately check package contents against the shipping documentation. Contact Campbell Scientific about any discrepancies.
- The model number and cable length are printed on a label at the connection end of the cable. Check this information against the shipping documents to ensure the expected product and cable length are received.

The wind monitor is shipped in a padded box containing the sensor body, propeller, orientation ring, and a bag containing:



- (1) 1/16 inch hex key wrench from manufacturer (used for bearing replacement)
- (1) Bearing gap gauge (spacer) from manufacturer (used for bearing replacement)
- (1) Calibration sheet
- (1) Ferrite choke from manufacturer

An unthreaded aluminum pipe is also shipped with the sensor. Information about attaching the propeller and using the orientation ring is provided in [Assembly and mounting](#) (p. 11).

## 4. QuickStart

---

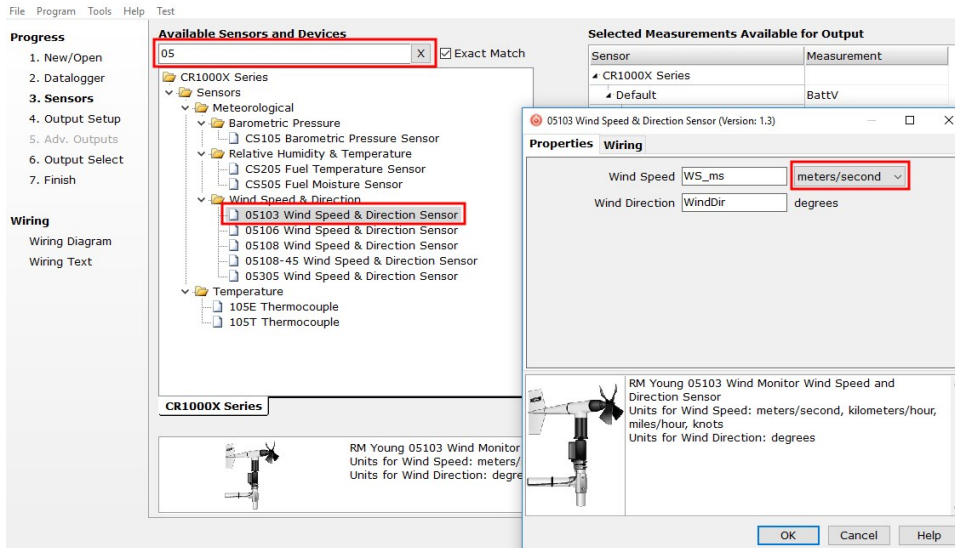
A video that describes data logger programming using *Short Cut* is available at:

[www.campbellsci.com/videos/cr1000x-datalogger-getting-started-program-part-3](http://www.campbellsci.com/videos/cr1000x-datalogger-getting-started-program-part-3) . *Short Cut* is an easy way to program your data logger to measure this sensor and assign data logger wiring terminals. *Short Cut* is available as a download on [www.campbellsci.com](http://www.campbellsci.com) . It is included in installations of *LoggerNet*, *RTDAQ*, or *PC400*.

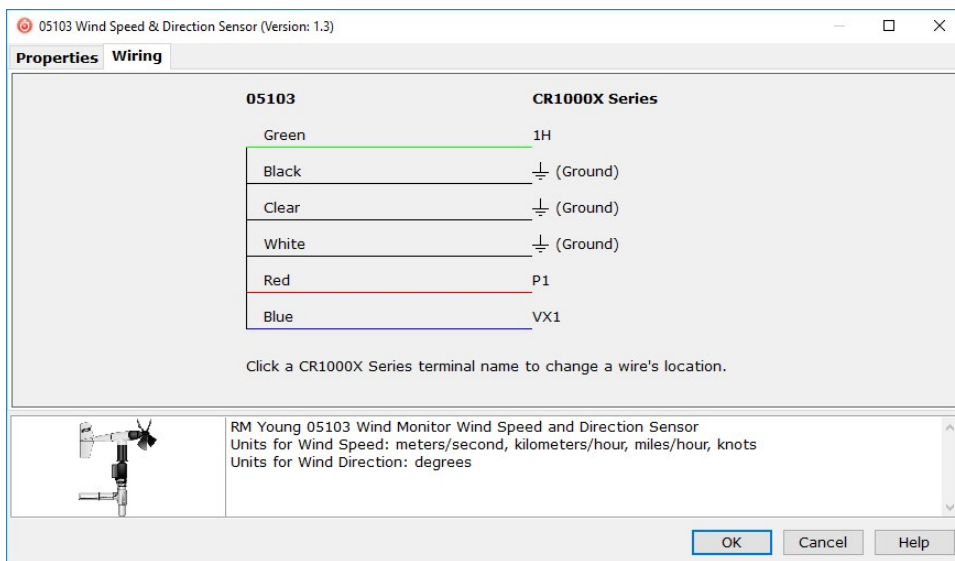
The following procedure also describes programming with *Short Cut*.

1. Open *Short Cut* and create a new program.
2. Double-click the data logger model.

- In the **Available Sensors and Devices** box, type 05103, 05106, or 05305 AQ or locate the sensor in the **Sensors > Meteorological > Wind Speed & Direction** folder. Double-click **05103 Wind Speed & Direction Sensor**, **05108 Wind Speed & Direction Sensor**, **05108-45 Wind Speed & Direction Sensor**, or **05305-AQ Wind Speed & Direction Sensor**. The wind speed defaults to meters/second. This can be changed by clicking the Wind Speed box and selecting one of the other options.

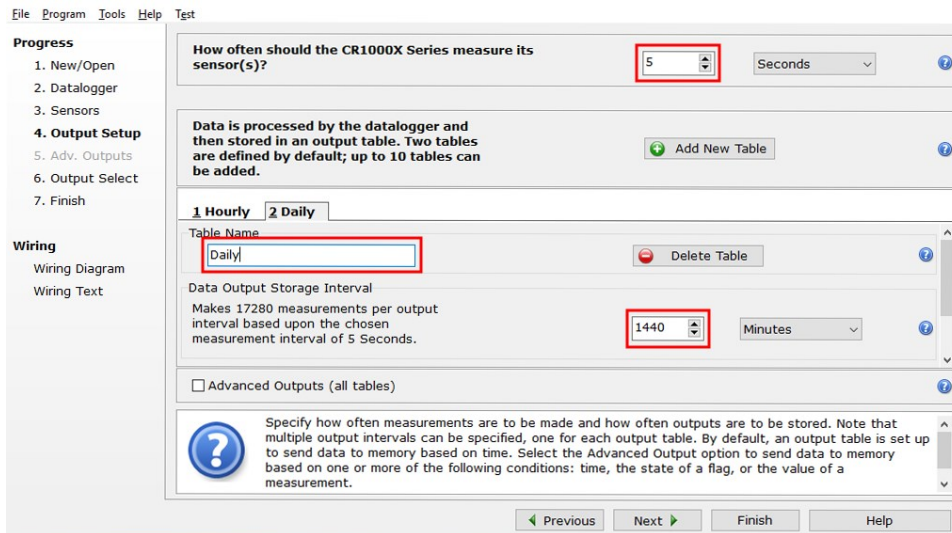


- Click on the **Wiring** tab to see how the sensor is to be wired to the data logger. Click **OK** after wiring the sensor.

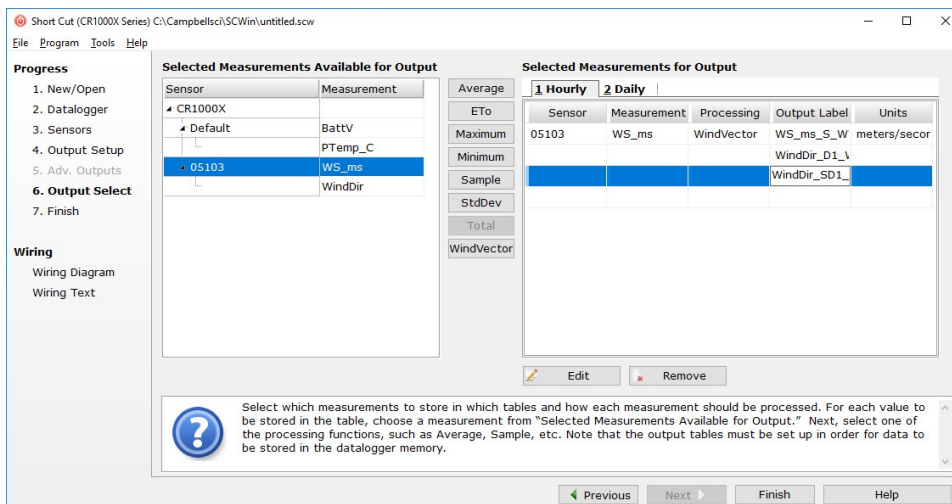


- Repeat steps three and four for other sensors. Click **Next**.

- In **Output Setup**, enter the scan rate, **Data Output Storage Intervals**, and meaningful table names.



- Select the measurement(s) and its associated output options.



- Click **Finish** and save the program. Send the program to the data logger if the data logger is connected to the computer.
- If the sensor is connected to the data logger, check the output of the sensor in the data display in *LoggerNet*, *RTDAQ*, or *PC400* to make sure it is making reasonable measurements.

# 5. Overview

Wind speed is measured by using a helicoid-shaped, four-blade propeller. Rotation of the propeller produces an AC sine wave signal with frequency proportional to wind speed.

Vane position is transmitted by a 10 k $\Omega$  potentiometer. With a precision excitation voltage applied, the output voltage is proportional to wind direction.

The R. M. Young Instruction Manual includes additional information on the operating principles, installation, and maintenance of the sensor.

The wind monitors are manufactured by R. M. Young and cabled by Campbell Scientific for use with our data loggers. Cable lengths for the wind monitors are specified when the sensors are ordered. [Table 5-1](#) (p. 5) gives the recommended cable length for mounting the sensor at the top of the tripod/tower by using a CM200-series crossarm.

CM106B	CM110	CM115	CM120	UT10	UT20	UT30
4.2 m (14 ft)	4.2 m (14 ft)	5.8 m (19 ft)	7.3 m (24 ft)	4.2 m (14 ft)	7.3 m (24 ft)	11.3 m (37 ft)

**NOTE:**

Maximum cable length is 304.8 m (1000 ft).

**CAUTION:**

Do not use cable lengths greater than 30 m (98 ft) in electrically noisy environments.

**Features:**

- Rugged enough for harsh environments
- Constructed with thermoplastic material that resists corrosion from sea-air environments and atmospheric pollutants
- Ideal for wind profile studies
- Compatible with the LLAC4 4-channel Low Level AC Conversion Module, which increases the number of anemometers one data logger can measure
- Compatible with Campbell Scientific CRBasic data loggers: Granite series, CR6, CR1000X, CR350 series, CR300 series, CR3000, CR1000, and CR800 series



# 6. Specifications

Table 6-1 (p. 6), Table 6-2 (p. 7), and Table 6-3 (p. 8) provide the wind speed, wind direction, and physical specifications, respectively.

Table 6-1: Wind speed specifications				
	05103 Wind Monitor	05108 Heavy Duty Wind Monitor	05108-45 Heavy Duty Wind Monitor- Alpine	05305 Wind Monitor- AQ
Range	0 to 100 m/s (0 to 224 mph)			0 to 50 m/s (0 to 112 mph)
Accuracy	±0.3 m/s (±0.6 mph) or 1% of reading			±0.2 m/s (±0.4 mph) or 1% of reading
Starting threshold	1.0 m/s (2.2 mph)			0.4 m/s (0.9 mph)
Distance constant (63% recovery)	2.7 m (8.9 ft)			2.1 m (6.9 ft)
Output	AC voltage (3 pulses per revolution); 1800 rpm (90 Hz) = 8.8 m/s (19.7 mph)	AC voltage (3 pulses per revolution); 1800 rpm (90 Hz) = 14.9 m/s (33.3 mph)		AC voltage (3 pulses per revolution); 1800 rpm (90 Hz) = 9.2 m/s (20.6 mph)
Resolution	(0.0980 m/s) / (scan rate in seconds) or (0.2192 mph) / (scan rate in seconds)	(0.1666 m/s) / (scan rate in seconds) or (0.3726 mph) / (scan rate in seconds)		(0.1024 m/s) / (scan rate in sec.) or (0.2290 mph) / (scan rate in sec.)

Table 6-2: Wind direction specifications				
	05103 Wind Monitor	05108 Heavy Duty Wind Monitor	05108-45 Heavy Duty Wind Monitor- Alpine	05305 Wind Monitor- AQ
Range	0° to 360° mechanical, 355° electrical (5° open)			
Accuracy	±3°			
Starting threshold	1.1 m/s (2.4 mph)	1.0 m/s (2.0 mph)		0.5 m/s (1.0 mph)
Distance constant (50% recovery)	1.3 m (4.3 ft)			1.2 m (3.9 ft)
Damping ratio	0.3	0.25		0.45
Damped natural wavelength	7.4 m (24.3 ft)			4.9 m (16.1 ft)
Undamped natural wavelength	7.2 m (23.6 ft)			4.4 m (14.4 ft)
Output	analog DC voltage from potentiometer—resistance 10 kΩ; linearity 0.25%; life expectancy 50 million revolutions			
Power	switched excitation voltage supplied by data logger			

	05103 Wind Monitor	05108 Heavy Duty Wind Monitor	05108-45 Heavy Duty Wind Monitor- Alpine	05305 Wind Monitor- AQ
Operating temperature range	-50 to +50 °C, assuming non-riming conditions	-50 to +60 °C, assuming non-riming conditions		-50 to +50 °C, assuming non-riming conditions
Overall height	37 cm (14.6 in)		40 cm (15.7 in)	38 cm (15 in)
Overall length	55 cm (21.7 in)		57 cm (22.4 in)	65 cm (25.6 in)
Propeller diameter	18 cm (7.1 in)			20 cm (7.9 in)
Mounting pipe description	34 mm (1.34 in) outer diameter; standard 1.0 in IPS schedule 40			
Weight	1.5 kg (3.2 lb)	1 kg (2.2 lb)		1.1 kg (2.5 lb)

# 7. Installation

If you are programming your data logger by using *Short Cut*, skip [Wiring](#) (p. 9) and [Programming](#) (p. 9). *Short Cut* does this work for you. See [QuickStart](#) (p. 2) for a *Short Cut* tutorial.

<a href="#">7.1 Wiring</a> .....	9
<a href="#">7.2 Programming</a> .....	9
<a href="#">7.2.1 Wind speed</a> .....	10
<a href="#">7.2.2 Wind direction</a> .....	10
<a href="#">7.2.3 WindVector processing instruction</a> .....	11
<a href="#">7.3 Siting</a> .....	11
<a href="#">7.4 Assembly and mounting</a> .....	11

## 7.1 Wiring

Connections to Campbell Scientific data loggers are given in [Table 7-1](#) (p. 9). When *Short Cut* software is used to create the data logger program, the sensor is wired to the terminals shown in the wiring diagram created by *Short Cut*.

Wire color	Wire function	Data logger connection terminal
Red	WS signal	U configured for pulse input <sup>1</sup> , P (pulse input), or P_LL (pulse, low-level AC)
Black	WS signal reference	⏏
Green	WD signal	U configured for single-ended analog input <sup>1</sup> , SE (single-ended, analog input)
Blue	WD voltage excitation	U configured for voltage excitation <sup>1</sup> , EX, VX (voltage excitation)
White	WD signal reference	⏏ (analog ground)
Clear	Shield	⏏ (analog ground)

<sup>1</sup>U terminals are automatically configured by the measurement instruction.

## 7.2 Programming

*Short Cut* is the best source for up-to-date data logger programming code. If your data acquisition requirements are simple and you are connecting the sensor to a pulse terminal, you can probably create and maintain a data logger program exclusively by using *Short Cut*. If your data acquisition needs are more complex, the files that *Short Cut* creates are a great source for programming code to start a new program or add to an existing custom program.

**NOTE:**

*Short Cut* cannot edit programs after they are imported and edited in *CRBasic Editor*.

A *Short Cut* tutorial is available in [QuickStart](#) (p. 2). If you wish to import *Short Cut* code into *CRBasic Editor* to create or add to a customized program, follow the procedure in [Importing Short Cut code into CRBasic Editor](#) (p. 17). Programming basics for CRBasic data loggers are provided in the following sections. A complete program is provided in [Example program](#) (p. 18). Programming basics and programming examples for Edlog data loggers are provided at [www.campbellsci.com/old-manuals](http://www.campbellsci.com/old-manuals) [↗](#).

## 7.2.1 Wind speed

Wind speed is measured by using the `PulseCount()` instruction. Syntax of the the `PulseCount()` instruction is:

```
PulseCount(Dest, Repts, PChan, PConfig, POption, Mult, Offset)
```

Set the `PConfig` parameter to **Low Level AC** and the `POption` parameter to **Frequency**.

The expression for wind speed (U) is:

$$U = Mx + B$$

where

M = multiplier

x = number of pulses per second (Hertz)

B = offset

Table 7-2 (p. 10) lists the multipliers to obtain miles/hour or meters/second when the measurement instruction is configured to output Hz.

Model	Miles/hour output	Meters/second output
05103	0.2192	0.0980
05108 or 05108-45	0.3726	0.1666
05305	0.2290	0.1024

Set the offset to zero since the helicoid propeller calibration passes through zero (Gill, 1973; Baynton, 1976).

## 7.2.2 Wind direction

The wind vane is coupled to a 10 k $\Omega$  potentiometer, which has a 5-degree electrical dead band between 355 and 360 degrees. A 1 M $\Omega$  resistor between the signal and ground pulls the signal to 0 mV (0 degrees) when wind direction is in the dead band (between 355 and 360 degrees).

Wind direction is measured by the `BRHalf()` instruction.

Some CRBasic measurement sequences can cause the measurement of the wind direction to return a negative wind direction ( $-30^\circ$ ) while in the dead band. To overcome this problem, all program examples use a delay of 20 ms (20,000  $\mu$ s) and set any negative wind direction values to 0.0: If `WindDir < 0`, then `WindDir = 0.0`.

The excitation voltage, range codes, and multipliers for the different data logger types are listed in [Table 7-3](#) (p. 11). [Wind direction measurement theory](#) (p. 23) has additional information on the [BRHa1f\(\)](#) measurement instruction.

	CR300 Series	CR800, CR850, CR1000	CR1000X	CR6	CR3000
Measurement range	mV2500	mV2500	mV5000	mV5000	mV5000
Excitation voltage	2500 mV	2500 mV	2500 mV	2500 mV	5000 mV
Reverse excitation	NA	True	True	True	True
Delay or settling time	20000 $\mu$ s	20000 $\mu$ s	20000 $\mu$ s	20000 $\mu$ s	20000 $\mu$ s
Multiplier	355	355	355	355	355
Offset	0	0	0	0	0

## 7.2.3 WindVector processing instruction

The [WindVector](#) output is used to process and store mean wind speed, unit vector mean wind direction, and standard deviation of the wind direction (optional) by using the measured wind speed and direction samples.

## 7.3 Siting

Locate wind sensors away from obstructions such as trees or buildings. Generally, there should be a horizontal distance of at least ten times the height of the obstruction between the wind monitor and the obstruction. If the sensors need to be mounted on a roof, the height of the sensors above the roof, should be at least 1.5 times the height of the building. See [References](#) (p. 16) for a list of references that discuss siting wind speed and direction sensors.

## 7.4 Assembly and mounting

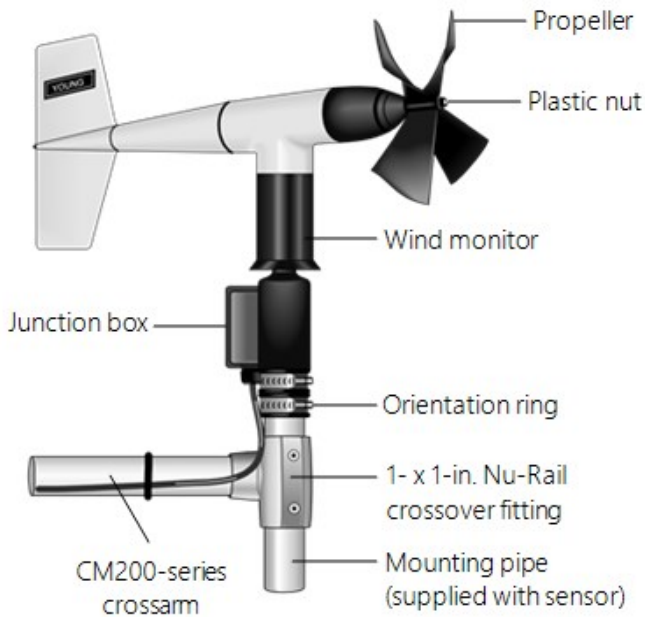
Materials required:

- 5/64-inch hex key wrench
- 1/2-inch open end wrench

- Compass and declination angle for the site (see [Determining true north and sensor orientation](#) [p. 20])
- Small screwdriver provided with data logger
- UV resistant cable ties
- 6-inch to 10-inch torpedo level
- Unthreaded aluminum pipe, 1-inch IPS, 12-inch length (shipped with the sensor)
- 1-inch-by-1-inch Nu-Rail crossover fitting
- Wind monitor body
- Propeller
- Orientation ring
- Ferrite choke (shipped with sensor)

The following procedure is for assembling the sensor and mounting it to a crossarm.

1. Remove the plastic nut on the propeller shaft.
2. Place the propeller on the shaft and secure it to its shaft by using a wrench to tighten the plastic nut.

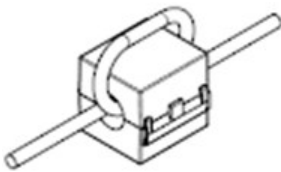


*Figure 7-1. Wind monitor mounted to a crossarm by using 1- x 1-in. Nu-Rail crossover fitting*

3. Mount a crossarm to a tripod or tower.
4. If a pyranometer is also being mounted on the crossarm, orient the crossarm north-south with the Nu-Rail on the end farthest from the equator. Otherwise, the crossarm may be oriented north-south, east west, or any other angle desired. [Determining true north and sensor orientation](#) (p. 20) contains detailed information on determining true north by using a compass and the magnetic declination for the site.
5. Secure the 12-inch aluminum pipe to the Nu-Rail fitting.
6. Place the orientation ring, followed by the wind monitor on the aluminum pipe.
7. Orient the junction box to the south, and tighten the band clamps on the orientation ring and aluminum pipe. Final sensor orientation is done after the data logger has been programmed to measure wind direction as described in [Determining true north and sensor orientation](#) (p. 20).
8. Use the torpedo level to ensure that the wind monitor is level.
9. Insert the cable through the ferrite choke center hole, loop the cable over the top of the ferrite choke, and reinsert the cable through the ferrite choke center hole (see the following figure).

**CAUTION:**

Must install the ferrite choke on the cable near the sensor to meet EMC compliance.



*Figure 7-2. Ferrite choke installed on cable*

10. Route the sensor cable along the underside of the crossarm to the tripod or tower, and to the instrument enclosure.
11. Secure the cable to the crossarm and tripod or tower by using cable ties.

The wind monitor can also use a CM221 Right-Angle Mounting Kit or CM216 Sensor Mounting Kit; see the following figures. The CM221 uses U-bolts to secure the sensor to a crossarm. The CM216 mounts the wind monitor on top of a CM106B, CM110, CM115, or CM120 tripod. The CM216 extends 10 cm (4 in) above the mast of the tripod.





Figure 7-3. CM221 Right-Angle Mounting Kit




Figure 7-4. The CM216 allows the wind monitor to mount atop a tripod mast

## 8. Sensor maintenance



---

Every month do a visual/audio inspection of the anemometer at low wind speeds. Verify that the propeller and wind vane bearing rotate freely. Inspect the sensor for physical damage.

Replace the anemometer bearings when they become noisy, or the wind speed threshold increases above an acceptable level. The condition of the bearings can be checked by using the Propeller Torque Disc as described in the R. M. Young manual (see [www.youngusa.com/product-category/wind-sensors-accessories](http://www.youngusa.com/product-category/wind-sensors-accessories) )

The potentiometer has a life expectancy of fifty million revolutions. As it becomes worn, the element can produce noisy signals or become non-linear. Replace the potentiometer when the noise or non-linearity becomes unacceptable. The condition of the vertical shaft (vane) bearings can be checked by using R. M. Young Vane Torque Gauge.

**NOTE:**

Campbell Scientific recommends factory replacement of the bearings and potentiometer. Refer to the [Assistance](#) page of this document for the procedure of acquiring a Returned Materials Authorization (RMA). Mechanically-adept users may choose to replace the bearings or potentiometer themselves. Instructions for replacing the bearings and potentiometer are given in R. M. Young manuals ([www.youngusa.com](http://www.youngusa.com)) . A video that describes changing the bearings is available at: [www.campbellsci.com/videos/wind-monitor-bearing-replacement](http://www.campbellsci.com/videos/wind-monitor-bearing-replacement) .

## 9. Troubleshooting

---

### Wind direction

Symptom: NAN, -9999, or no change in direction

1. Check that the sensor is wired to the excitation and single-ended terminal specified by the measurement instruction.
2. Verify that the excitation voltage and range code are correct for the data logger type.
3. Disconnect the sensor from the data logger and use an ohmmeter to check the potentiometer. Resistance should be about 10 k $\Omega$  between the blue and white wires. The resistance between either the blue/green or white/green wires should vary between about 1 k $\Omega$  to 11 k $\Omega$  depending on vane position. Resistance when the vane is in the 5 degree dead band should be about 1 M $\Omega$ .

Symptom: Incorrect wind direction

1. Verify that the excitation voltage, range code, multiplier and offset parameters are correct for the data logger type.
2. Check orientation of sensor as described in [Assembly and mounting](#) (p. 11).

### Wind speed

Symptom: No wind speed

1. Check that the sensor is wired to the pulse terminal specified by the pulse count instruction.
2. Disconnect the sensor from the data logger and use an ohmmeter to check the coil. The resistance between the red and black wires should be about 2075  $\Omega$ . Infinite resistance indicates an open coil; low resistance indicates a shorted coil.

3. Verify that the configuration code, and multiplier and offset parameters for the pulse count instruction are correct for the data logger type.

## 10. References

---

IEC 61400 Part 12-1: *Wind turbine generator systems Part 12: Wind Turbine Power Performance Testing*.

Wind vector information:

<http://www.windspeed.co.uk/ws/index.php?option=faq&task=viewfaq&Itemid=5&artid=29> .

Gill, G.C., 1973: *The Helicoid Anemometer Atmosphere*, II, 145–155.

Baynton, H.W., 1976: *Errors in Wind Run Estimates from Rotational Anemometers*, *Bul. Am. Met. Soc.*, vol. 57, No. 9, 1127–1130.

The following references give detailed information on siting wind speed and wind direction sensors.

EPA, 1989: *Quality Assurance Handbook for Air Pollution Measurements System*, Office of Research and Development, Research Triangle Park, NC, 27711.

EPA, 1987: *On-Site Meteorological Program Guidance for Regulatory Modeling Applications*, EPA-450/4-87-013, Office of Air Quality Planning and Standards, Research Triangle Park, NC 27711.

The State Climatologist, 1985: *Publication of the American Association of State Climatologists: Height and Exposure Standards*, for Sensors on Automated Weather Stations, vol. 9, No. 4.

WMO, 1983: *Guide to Meteorological Instruments and Methods of Observation*, World Meteorological Organization, No. 8, 5th edition, Geneva, Switzerland.

# Appendix A. Importing *Short Cut* code into *CRBasic Editor*

---


*Short Cut* creates a .DEF file that contains wiring information and a program file that can be imported into *CRBasic Editor*. By default, these files reside in the C:\campbellsci\SCWin folder.

Import *Short Cut* program file and wiring information into *CRBasic Editor*:

1. Create the *Short Cut* program, then save it. Click the **Advanced** tab then the **CRBasic Editor** button. Your program file will open in CRBasic with a generic name. Provide a meaningful name and save the CRBasic program. This program can now be edited for additional refinement.

**NOTE:**

Once the file is edited with *CRBasic Editor*, *Short Cut* can no longer be used to edit the program.

2. To add the *Short Cut* wiring information into the new CRBasic program, open the .DEF file located in the C:\campbellsci\SCWin folder. Copy the wiring information found at the beginning of the .DEF file.
3. Go into the CRBasic program and paste the wiring information at the beginning of the program.
4. In the CRBasic program, highlight the wiring information, right-click, and select **Comment Block**. This adds an apostrophe (') to the beginning of each of the highlighted lines, which instructs the data logger compiler to ignore those lines when compiling. The **Comment Block** feature is demonstrated at about 5:10 in the [CRBasic | Features](#) video .

# Appendix B. Example program

---

The following program measures the 05103 every 5 s, and stores mean wind speed, unit vector mean direction, and standard deviation of the direction every 60 minutes. Wiring for the example is given in [Table B-1](#) (p. 18).

Table B-1: Wiring for example program		
Color	Wire label	CR1000X
Red	WS Signal	P1
Black	WS Reference	⏏
Green	WD Signal	SE 1
Blue	WD Volt Excit	VX 1
White	WD Reference	⏏
Clear	Shield	⏏

## CRBasic Example 1: CR1000X example program

```
'CR1000X
'Declare Variables and Units
Public Batt_Volt
Public WS_ms
Public WindDir
Units Batt_Volt=Volts
Units WS_ms=meters/second
Units WindDir=Degrees

'Define Data Tables
DataTable(Hour,True,-1)
  DataInterval(0,60,Min,10)
  WindVector (1,WS_ms,WindDir,FP2,False,0,0,0)
  FieldNames("WS_ms_S_WVT,WindDir_D1_WVT,WindDir_SD1_WVT")
EndTable

'Main Program
BeginProg
  Scan(5,Sec,1,0)
  'Default Data Logger Battery Voltage measurement Batt_Volt:
  Battery(Batt_Volt)

  '05103 Wind Speed & Direction Sensor measurements WS_ms and WindDir:
  'WS_ms
  PulseCount(WS_ms,1,P1,5,1,0.098,0)
  'WindDir
  BrHalf(WindDir,1,mV5000,1,Vx1,1,2500,True,20000,60,355,0)

  If WindDir>=360 OR WindDir<0 Then WindDir=0

  'Call Data Tables and Store Data
  CallTable(Hour)
NextScan
EndProg
```

# Appendix C. Determining true north and sensor orientation

---

Orientation of the wind direction sensor is done after the data logger has been programmed, and the location of true north has been determined. True north is usually found by reading a magnetic compass and applying the correction for magnetic declination; where magnetic declination is the number of degrees between true north and magnetic north. The preferred method to obtain the magnetic declination for a specific site is to use a computer service offered by NOAA at [www.ngdc.noaa.gov/geomag](http://www.ngdc.noaa.gov/geomag)<sup>↗</sup>. The magnetic declination can also be obtained from a map or local airport. A general map showing magnetic declination for the contiguous United States is shown in [Figure C-1](#) (p. 21).

Declination angles east of true north are considered negative, and are subtracted from 360 degrees to get true north as shown [Figure C-2](#) (p. 21) ( $0^\circ$  and  $360^\circ$  are the same point on a compass). For example, the declination for Logan, Utah is  $11.78^\circ$  East (11 August 2015). True north is  $360^\circ - 11.78^\circ$ , or  $348.22^\circ$  as read on a compass. Declination angles west of true north are considered positive, and are added to 0 degrees to get true north as shown in [Figure C-3](#) (p. 22).

Orientation is most easily done with two people, one to aim and adjust the sensor, while the other observes the wind direction displayed by the data logger.

1. Establish a reference point on the horizon for true north.
2. Sighting down the instrument center line, aim the nose cone, or counterweight at true north. Display the input location or variable for wind direction by using a laptop or keyboard display.
3. Loosen the U-bolt on the CM220 or the set screws on the Nu-Rail that secure the base of the sensor to the crossarm. While holding the vane position, slowly rotate the sensor base until the data logger indicates 0 degrees. Tighten the set screws.

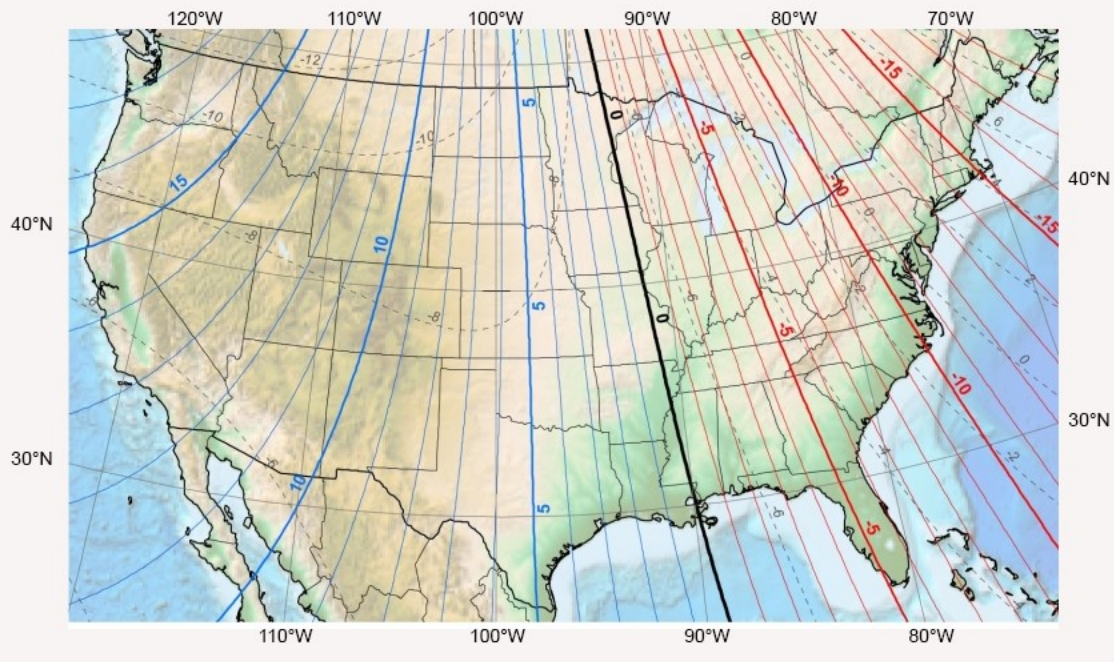


Figure C-1. Magnetic declination for the contiguous United States (2015)

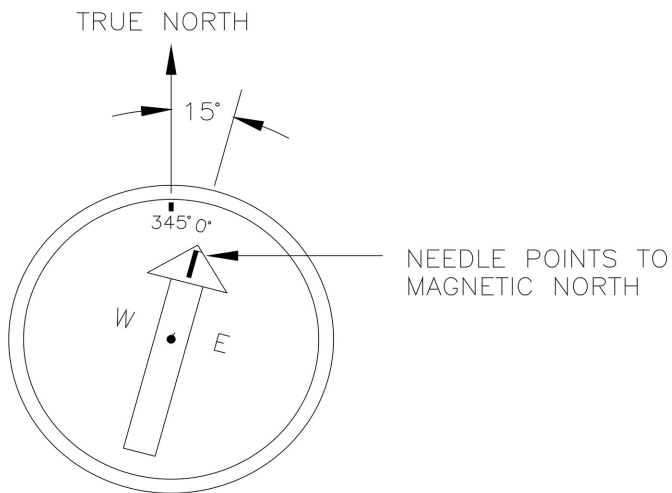
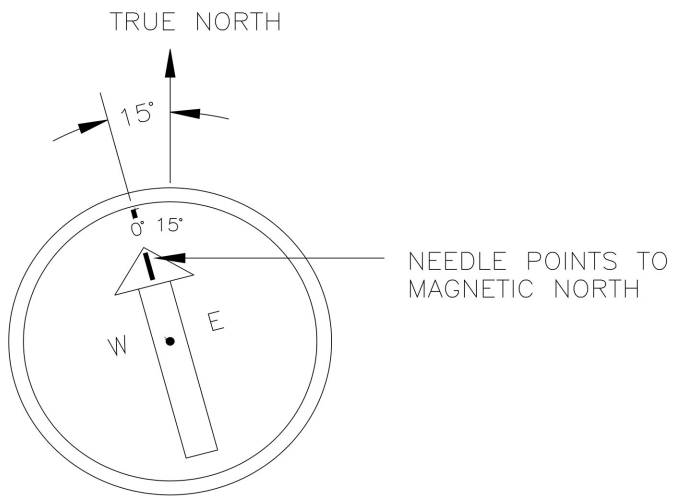


Figure C-2. Declination angles east of true north are subtracted from 0 to get true north





*Figure C-3. Declination angles west of true north are added to 0 to get true north*

# Appendix D. Wind direction measurement theory

It is not necessary to understand the concepts in this section for the general operation of the 05103 with a Campbell Scientific data logger.

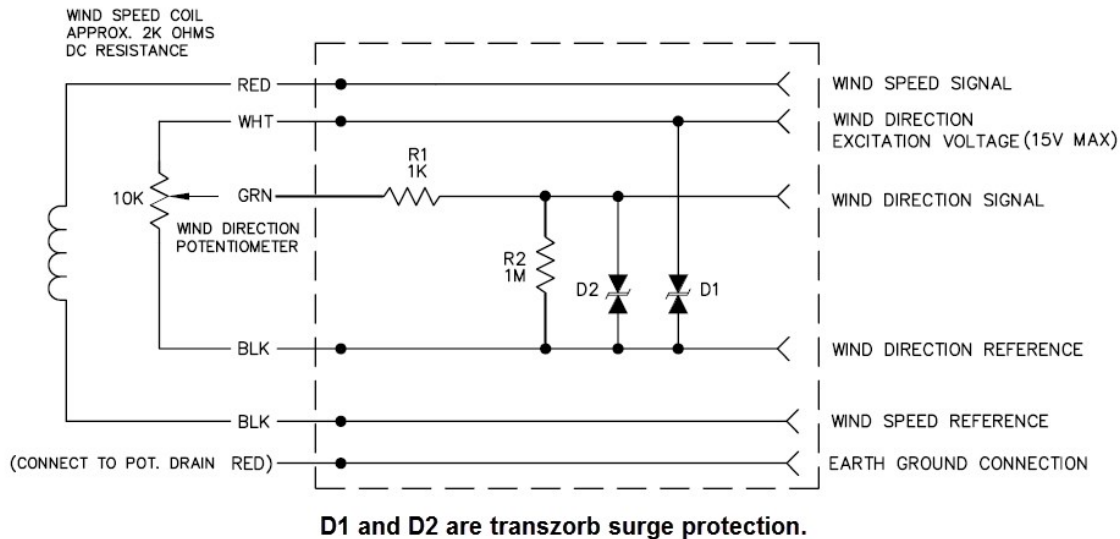


Figure D-1. 05103 potentiometer in a half bridge circuit

The [BRHalf](#) CRBasic instruction outputs a precise excitation voltage ( $V_x$ ), and measures the voltage between the wiper and ground ( $V_s$ ). The resistance between the wiper and ground ( $R_s$ ), and  $V_s$  vary with wind direction. The measurement result is the ratio of the measured voltage to the excitation voltage ( $V_s/V_x$ ). This ratio is related to the resistance as shown in this equation:

$$V_s/V_x = R_s / (R_t + R_s)$$

The maximum value that  $R_s$  will reach is  $R_f$  just before it crosses over from the west side of north to the east side of north (at this point  $R_t = 0$ ).  $V_s / V_x$  reaches its maximum value of 1.0 mV/mV at 355 degrees. The multiplier to convert  $V_s/V_x$  to degrees is  $355 \text{ degrees} / 1.0 V_s/V_x = 355$ . Refer to the data logger manual for more information on the bridge measurements.

# Limited warranty


---

Covered equipment is warranted/guaranteed against defects in materials and workmanship under normal use and service for the period listed on your sales invoice or the product order information web page. The covered period begins on the date of shipment unless otherwise specified. For a repair to be covered under warranty, the following criteria must be met:

1. There must be a defect in materials or workmanship that affects form, fit, or function of the device.
2. The defect cannot be the result of misuse.
3. The defect must have occurred within a specified period of time; and
4. The determination must be made by a qualified technician at a Campbell Scientific Service Center/ repair facility.

The following is not covered:

1. Equipment which has been modified or altered in any way without the written permission of Campbell Scientific.
2. Batteries; and
3. Any equipment which has been subjected to misuse, neglect, acts of God or damage in transit.


Campbell Scientific regional offices handle repairs for customers within their territories. Please see the back page of the manual for a list of [regional offices](#) or visit [www.campbellsci.com/contact](http://www.campbellsci.com/contact)  to determine which Campbell Scientific office serves your country. For directions on how to return equipment, see [Assistance](#).

Other manufacturer's products, that are resold by Campbell Scientific, are warranted only to the limits extended by the original manufacturer.

CAMPBELL SCIENTIFIC EXPRESSLY DISCLAIMS AND EXCLUDES ANY IMPLIED WARRANTIES OF MERCHANTABILITY OR FITNESS FOR A PARTICULAR PURPOSE. Campbell Scientific hereby disclaims, to the fullest extent allowed by applicable law, any and all warranties and conditions with respect to the products, whether express, implied, or statutory, other than those expressly provided herein.

Campbell Scientific will, as a default, return warranted equipment by surface carrier prepaid. However, the method of return shipment is at Campbell Scientific's sole discretion. Campbell Scientific will not reimburse the claimant for costs incurred in removing and/or reinstalling equipment. This warranty and the Company's obligation thereunder is in lieu of all other


warranties, expressed or implied, including those of suitability and fitness for a particular purpose. Campbell Scientific is not liable for consequential damage.

In the event of any conflict or inconsistency between the provisions of this Warranty and the provisions of Campbell Scientific's Terms, the provisions of Campbell Scientific's Terms shall prevail. Furthermore, Campbell Scientific's Terms are hereby incorporated by reference into this Warranty. To view Terms and conditions that apply to Campbell Scientific, Logan, UT, USA, see [Terms and Conditions](#) . To view terms and conditions that apply to Campbell Scientific offices outside of the United States, contact the [regional office](#) that serves your country.

# Assistance

---

Products may not be returned without prior authorization. Please inform us before returning equipment and obtain a **return material authorization (RMA) number** whether the repair is under warranty/guarantee or not. See [Limited warranty](#) for information on covered equipment.

Campbell Scientific regional offices handle repairs for customers within their territories. Please see the back page of the manual for a list of [regional offices](#) or visit [www.campbellsci.com/contact](http://www.campbellsci.com/contact)  to determine which Campbell Scientific office serves your country.

When returning equipment, a RMA number must be clearly marked on the outside of the package. Please state the faults as clearly as possible. Quotations for repairs can be given on request.

It is the policy of Campbell Scientific to protect the health of its employees and provide a safe working environment. In support of this policy, when equipment is returned to Campbell Scientific, Logan, UT, USA, it is mandatory that a "[Declaration of Hazardous Material and Decontamination](#)" form be received before the return can be processed. If the form is not received within 5 working days of product receipt or is incomplete, the product will be returned to the customer at the customer's expense. For details on decontamination standards specific to your country, please reach out to your [regional Campbell Scientific](#) office.

## NOTE:

All goods that cross trade boundaries may be subject to some form of fee (customs clearance, duties or import tax). Also, some regional offices require a purchase order upfront if a product is out of the warranty period. Please contact your [regional Campbell Scientific](#) office for details.

# Safety

---

DANGER — MANY HAZARDS ARE ASSOCIATED WITH INSTALLING, USING, MAINTAINING, AND WORKING ON OR AROUND TRIPODS, TOWERS, AND ANY ATTACHMENTS TO TRIPODS AND TOWERS SUCH AS SENSORS, CROSSARMS, ENCLOSURES, ANTENNAS, ETC. FAILURE TO PROPERLY AND COMPLETELY ASSEMBLE, INSTALL, OPERATE, USE, AND MAINTAIN TRIPODS, TOWERS, AND ATTACHMENTS, AND FAILURE TO HEED WARNINGS, INCREASES THE RISK OF DEATH, ACCIDENT, SERIOUS INJURY, PROPERTY DAMAGE, AND PRODUCT FAILURE. TAKE ALL REASONABLE PRECAUTIONS TO AVOID THESE HAZARDS. CHECK WITH YOUR ORGANIZATION'S SAFETY COORDINATOR (OR POLICY) FOR PROCEDURES AND REQUIRED PROTECTIVE EQUIPMENT PRIOR TO PERFORMING ANY WORK.

Use tripods, towers, and attachments to tripods and towers only for purposes for which they are designed. Do not exceed design limits. Be familiar and comply with all instructions provided in product manuals. Manuals are available at [www.campbellsci.com](http://www.campbellsci.com) You are responsible for conformance with governing codes and regulations, including safety regulations, and the integrity and location of structures or land to which towers, tripods, and any attachments are attached. Installation sites should be evaluated and approved by a qualified engineer. If questions or concerns arise regarding installation, use, or maintenance of tripods, towers, attachments, or electrical connections, consult with a licensed and qualified engineer or electrician.

## General

- Protect from over-voltage.
- Protect electrical equipment from water.
- Protect from electrostatic discharge (ESD).
- Protect from lightning.
- Prior to performing site or installation work, obtain required approvals and permits. Comply with all governing structure-height regulations, such as those of the FAA in the USA.
- Use only qualified personnel for installation, use, and maintenance of tripods and towers, and any attachments to tripods and towers. The use of licensed and qualified contractors is highly recommended.
- Read all applicable instructions carefully and understand procedures thoroughly before beginning work.
- Wear a hardhat and eye protection, and take other appropriate safety precautions while working on or around tripods and towers.
- Do not climb tripods or towers at any time, and prohibit climbing by other persons. Take reasonable precautions to secure tripod and tower sites from trespassers.
- Use only manufacturer recommended parts, materials, and tools.

## Utility and Electrical

- You can be killed or sustain serious bodily injury if the tripod, tower, or attachments you are installing, constructing, using, or maintaining, or a tool, stake, or anchor, come in contact with overhead or underground utility lines.
- Maintain a distance of at least one-and-one-half times structure height, 6 meters (20 feet), or the distance required by applicable law, whichever is greater, between overhead utility lines and the structure (tripod, tower, attachments, or tools).
- Prior to performing site or installation work, inform all utility companies and have all underground utilities marked.
- Comply with all electrical codes. Electrical equipment and related grounding devices should be installed by a licensed and qualified electrician.
- Only use power sources approved for use in the country of installation to power Campbell Scientific devices.

## Elevated Work and Weather

- Exercise extreme caution when performing elevated work.
- Use appropriate equipment and safety practices.
- During installation and maintenance, keep tower and tripod sites clear of un-trained or non-essential personnel. Take precautions to prevent elevated tools and objects from dropping.
- Do not perform any work in inclement weather, including wind, rain, snow, lightning, etc.

## Internal Battery

- Be aware of fire, explosion, and severe-burn hazards.
- Misuse or improper installation of the internal lithium battery can cause severe injury.

- Do not recharge, disassemble, heat above 100 °C (212 °F), solder directly to the cell, incinerate, or expose contents to water. Dispose of spent batteries properly.

#### Use and disposal of batteries

- Where batteries need to be transported to the installation site, ensure they are packed to prevent the battery terminals shorting which could cause a fire or explosion. Especially in the case of lithium batteries, ensure they are packed and transported in a way that complies with local shipping regulations and the safety requirements of the carriers involved.
- When installing the batteries follow the installation instructions very carefully. This is to avoid risk of damage to the equipment caused by installing the wrong type of battery or reverse connections.
- When disposing of used batteries, it is still important to avoid the risk of shorting. Do not dispose of the batteries in a fire as there is risk of explosion and leakage of harmful chemicals into the environment. Batteries should be disposed of at registered recycling facilities.

#### Avoiding unnecessary exposure to radio transmitter radiation

- Where the equipment includes a radio transmitter, precautions should be taken to avoid unnecessary exposure to radiation from the antenna. The degree of caution required varies with the power of the transmitter, but as a rule it is best to avoid getting closer to the antenna than 20 cm (8 inches) when the antenna is active. In particular keep your head away from the antenna. For higher power radios (in excess of 1 W ERP) turn the radio off when servicing the system, unless the antenna is installed away from the station, e.g. it is mounted above the system on an arm or pole.

#### Maintenance

- Periodically (at least yearly) check for wear and damage, including corrosion, stress cracks, frayed cables, loose cable clamps, cable tightness, etc. and take necessary corrective actions.
- Periodically (at least yearly) check electrical ground connections.

WHILE EVERY ATTEMPT IS MADE TO EMBODY THE HIGHEST DEGREE OF SAFETY IN ALL CAMPBELL SCIENTIFIC PRODUCTS, THE CUSTOMER ASSUMES ALL RISK FROM ANY INJURY RESULTING FROM IMPROPER INSTALLATION, USE, OR MAINTENANCE OF TRIPODS, TOWERS, OR ATTACHMENTS TO TRIPODS AND TOWERS SUCH AS SENSORS, CROSSARMS, ENCLOSURES, ANTENNAS, ETC.

# Global Sales and Support Network

A worldwide network to help meet your needs



## Campbell Scientific Regional Offices

### Australia

**Location:** Garbutt, QLD Australia  
**Phone:** 61.7.4401.7700  
**Email:** [info@campbellsci.com.au](mailto:info@campbellsci.com.au)  
**Website:** [www.campbellsci.com.au](http://www.campbellsci.com.au)

### Brazil

**Location:** São Paulo, SP Brazil  
**Phone:** 11.3732.3399  
**Email:** [vendas@campbellsci.com.br](mailto:vendas@campbellsci.com.br)  
**Website:** [www.campbellsci.com.br](http://www.campbellsci.com.br)

### Canada

**Location:** Edmonton, AB Canada  
**Phone:** 780.454.2505  
**Email:** [dataloggers@campbellsci.ca](mailto:dataloggers@campbellsci.ca)  
**Website:** [www.campbellsci.ca](http://www.campbellsci.ca)

### China

**Location:** Beijing, P. R. China  
**Phone:** 86.10.6561.0080  
**Email:** [info@campbellsci.com.cn](mailto:info@campbellsci.com.cn)  
**Website:** [www.campbellsci.com.cn](http://www.campbellsci.com.cn)

### Costa Rica

**Location:** San Pedro, Costa Rica  
**Phone:** 506.2280.1564  
**Email:** [info@campbellsci.com](mailto:info@campbellsci.com)  
**Website:** [www.campbellsci.com](http://www.campbellsci.com)

### France

**Location:** Montrouge, France  
**Phone:** 0033.0.1.56.45.15.20  
**Email:** [info@campbellsci.fr](mailto:info@campbellsci.fr)  
**Website:** [www.campbellsci.fr](http://www.campbellsci.fr)

### Germany

**Location:** Bremen, Germany  
**Phone:** 49.0.421.460974.0  
**Email:** [info@campbellsci.de](mailto:info@campbellsci.de)  
**Website:** [www.campbellsci.de](http://www.campbellsci.de)

### India

**Location:** New Delhi, DL India  
**Phone:** 91.11.46500481.482  
**Email:** [info@campbellsci.in](mailto:info@campbellsci.in)  
**Website:** [www.campbellsci.in](http://www.campbellsci.in)

### Japan

**Location:** Kawagishi, Toda City, Japan  
**Phone:** 048.400.5001  
**Email:** [jp-info@campbellsci.com](mailto:jp-info@campbellsci.com)  
**Website:** [www.campbellsci.co.jp](http://www.campbellsci.co.jp)

### South Africa

**Location:** Stellenbosch, South Africa  
**Phone:** 27.21.8809960  
**Email:** [sales@campbellsci.co.za](mailto:sales@campbellsci.co.za)  
**Website:** [www.campbellsci.co.za](http://www.campbellsci.co.za)

### Spain

**Location:** Barcelona, Spain  
**Phone:** 34.93.2323938  
**Email:** [info@campbellsci.es](mailto:info@campbellsci.es)  
**Website:** [www.campbellsci.es](http://www.campbellsci.es)

### Thailand

**Location:** Bangkok, Thailand  
**Phone:** 66.2.719.3399  
**Email:** [info@campbellsci.asia](mailto:info@campbellsci.asia)  
**Website:** [www.campbellsci.asia](http://www.campbellsci.asia)

### UK

**Location:** Shephed, Loughborough, UK  
**Phone:** 44.0.1509.601141  
**Email:** [sales@campbellsci.co.uk](mailto:sales@campbellsci.co.uk)  
**Website:** [www.campbellsci.co.uk](http://www.campbellsci.co.uk)

### USA

**Location:** Logan, UT USA  
**Phone:** 435.227.9120  
**Email:** [info@campbellsci.com](mailto:info@campbellsci.com)  
**Website:** [www.campbellsci.com](http://www.campbellsci.com)