

NR01

Four-Component Net Radiation Sensor



Limited Warranty

“Products manufactured by CSI are warranted by CSI to be free from defects in materials and workmanship under normal use and service for twelve months from the date of shipment unless otherwise specified in the corresponding product manual. (Product manuals are available for review online at www.campbellsci.com.) Products not manufactured by CSI, but that are resold by CSI, are warranted only to the limits extended by the original manufacturer. Batteries, fine-wire thermocouples, desiccant, and other consumables have no warranty. CSI’s obligation under this warranty is limited to repairing or replacing (at CSI’s option) defective Products, which shall be the sole and exclusive remedy under this warranty. The Customer assumes all costs of removing, reinstalling, and shipping defective Products to CSI. CSI will return such Products by surface carrier prepaid within the continental United States of America. To all other locations, CSI will return such Products best way CIP (port of entry) per Incoterms ® 2010. This warranty shall not apply to any Products which have been subjected to modification, misuse, neglect, improper service, accidents of nature, or shipping damage. This warranty is in lieu of all other warranties, expressed or implied. The warranty for installation services performed by CSI such as programming to customer specifications, electrical connections to Products manufactured by CSI, and Product specific training, is part of CSI’s product warranty. **CSI EXPRESSLY DISCLAIMS AND EXCLUDES ANY IMPLIED WARRANTIES OF MERCHANTABILITY OR FITNESS FOR A PARTICULAR PURPOSE. CSI hereby disclaims, to the fullest extent allowed by applicable law, any and all warranties and conditions with respect to the Products, whether express, implied or statutory, other than those expressly provided herein.**”

Assistance

Products may not be returned without prior authorization. The following contact information is for US and international customers residing in countries served by Campbell Scientific, Inc. directly. Affiliate companies handle repairs for customers within their territories. Please visit www.campbellsci.com to determine which Campbell Scientific company serves your country.

To obtain a Returned Materials Authorization (RMA) number, contact CAMPBELL SCIENTIFIC, INC., phone (435) 227-9000. Please write the issued RMA number clearly on the outside of the shipping container. Campbell Scientific's shipping address is:

CAMPBELL SCIENTIFIC, INC.

RMA# _____
815 West 1800 North
Logan, Utah 84321-1784

For all returns, the customer must fill out a "Statement of Product Cleanliness and Decontamination" form and comply with the requirements specified in it. The form is available from our website at www.campbellsci.com/repair. A completed form must be either emailed to repair@campbellsci.com or faxed to (435) 227-9106. Campbell Scientific is unable to process any returns until we receive this form. If the form is not received within three days of product receipt or is incomplete, the product will be returned to the customer at the customer's expense. Campbell Scientific reserves the right to refuse service on products that were exposed to contaminants that may cause health or safety concerns for our employees.

Safety

DANGER — MANY HAZARDS ARE ASSOCIATED WITH INSTALLING, USING, MAINTAINING, AND WORKING ON OR AROUND TRIPODS, TOWERS, AND ANY ATTACHMENTS TO TRIPODS AND TOWERS SUCH AS SENSORS, CROSSARMS, ENCLOSURES, ANTENNAS, ETC. FAILURE TO PROPERLY AND COMPLETELY ASSEMBLE, INSTALL, OPERATE, USE, AND MAINTAIN TRIPODS, TOWERS, AND ATTACHMENTS, AND FAILURE TO HEED WARNINGS, INCREASES THE RISK OF DEATH, ACCIDENT, SERIOUS INJURY, PROPERTY DAMAGE, AND PRODUCT FAILURE. TAKE ALL REASONABLE PRECAUTIONS TO AVOID THESE HAZARDS. CHECK WITH YOUR ORGANIZATION'S SAFETY COORDINATOR (OR POLICY) FOR PROCEDURES AND REQUIRED PROTECTIVE EQUIPMENT PRIOR TO PERFORMING ANY WORK.

Use tripods, towers, and attachments to tripods and towers only for purposes for which they are designed. Do not exceed design limits. Be familiar and comply with all instructions provided in product manuals. Manuals are available at www.campbellsci.com or by telephoning (435) 227-9000 (USA). You are responsible for conformance with governing codes and regulations, including safety regulations, and the integrity and location of structures or land to which towers, tripods, and any attachments are attached. Installation sites should be evaluated and approved by a qualified engineer. If questions or concerns arise regarding installation, use, or maintenance of tripods, towers, attachments, or electrical connections, consult with a licensed and qualified engineer or electrician.

General

- Prior to performing site or installation work, obtain required approvals and permits. Comply with all governing structure-height regulations, such as those of the FAA in the USA.
- Use only qualified personnel for installation, use, and maintenance of tripods and towers, and any attachments to tripods and towers. The use of licensed and qualified contractors is highly recommended.
- Read all applicable instructions carefully and understand procedures thoroughly before beginning work.
- Wear a **hardhat** and **eye protection**, and take **other appropriate safety precautions** while working on or around tripods and towers.
- **Do not climb** tripods or towers at any time, and prohibit climbing by other persons. Take reasonable precautions to secure tripod and tower sites from trespassers.
- Use only manufacturer recommended parts, materials, and tools.

Utility and Electrical

- **You can be killed** or sustain serious bodily injury if the tripod, tower, or attachments you are installing, constructing, using, or maintaining, or a tool, stake, or anchor, come in **contact with overhead or underground utility lines**.
- Maintain a distance of at least one-and-one-half times structure height, 20 feet, or the distance required by applicable law, **whichever is greater**, between overhead utility lines and the structure (tripod, tower, attachments, or tools).
- Prior to performing site or installation work, inform all utility companies and have all underground utilities marked.
- Comply with all electrical codes. Electrical equipment and related grounding devices should be installed by a licensed and qualified electrician.

Elevated Work and Weather

- Exercise extreme caution when performing elevated work.
- Use appropriate equipment and safety practices.
- During installation and maintenance, keep tower and tripod sites clear of un-trained or non-essential personnel. Take precautions to prevent elevated tools and objects from dropping.
- Do not perform any work in inclement weather, including wind, rain, snow, lightning, etc.

Maintenance

- Periodically (at least yearly) check for wear and damage, including corrosion, stress cracks, frayed cables, loose cable clamps, cable tightness, etc. and take necessary corrective actions.
- Periodically (at least yearly) check electrical ground connections.

WHILE EVERY ATTEMPT IS MADE TO EMBODY THE HIGHEST DEGREE OF SAFETY IN ALL CAMPBELL SCIENTIFIC PRODUCTS, THE CUSTOMER ASSUMES ALL RISK FROM ANY INJURY RESULTING FROM IMPROPER INSTALLATION, USE, OR MAINTENANCE OF TRIPODS, TOWERS, OR ATTACHMENTS TO TRIPODS AND TOWERS SUCH AS SENSORS, CROSSARMS, ENCLOSURES, ANTENNAS, ETC.

Table of Contents

PDF viewers: These page numbers refer to the printed version of this document. Use the PDF reader bookmarks tab for links to specific sections.

1. Introduction.....	1
2. Precautions	1
3. Initial Inspection	1
4. Overview	2
5. Specifications	3
6. Installation	7
6.1 NR01 Construction.....	7
6.2 Mounting.....	7
6.3 Data Logger Wiring	8
6.3.1 Cable 1 Connections	8
6.3.2 Cable 2 Connections	9
6.4 Using the Heater.....	11
6.5 Installation of the Radiation Shields	11
6.6 Data Logger Programming.....	12
6.6.1 Pyranometer/Pyrgometer Measurements.....	12
6.6.2 Calibration Factors.....	12
6.7 Instrument-Inversion Test	13
7. Operation	13
7.1 Measurement Principle.....	13
7.1.1 Pyranometers.....	14
7.1.2 Pyrgometers.....	15
7.1.3 Expected Measurement Results	17
8. Maintenance and Troubleshooting.....	19
8.1 Maintenance	19
8.2 Troubleshooting	19
8.2.1 Data Quality Assurance	19
8.2.2 Problem Diagnosis	19

Appendices

A. Example Programs	A-1
A.1 CR1000X Program Using Differential Terminals.....	A-1
A.2 CR3000 Program Using Differential Terminals (no 4WPB100)	A-3
A.3 CR3000 Program that Controls the Heater.....	A-6

B. Cable Details B-1

Figures

4-1. Atmospheric Radiation as a Function of Wavelength2
 5-1. Dimensions of the NR01 in mm: (1) 2-Axis Leveling Assembly,
 (2) Mounting Arm.....3
 6-1. The NR01 Four-Component Net Radiation Sensor.....7
 6-2. 4WPB100 Module.....10
 6-3. Installation and removal of radiation shields: (1) hex-head wrench,
 (2) radiation screen, (3) hexagon drive set screw12
 7-1. Spectral response of the pyranometer compared to the solar
 spectrum. The pyranometer only cuts off a negligible part of the
 total solar spectrum.14
 7-2. Spectral response of the pyrgeometer compared to the atmospheric
 LW spectrum16

Tables

5-1. General Specifications4
 5-2. Pyranometer Specifications.....5
 5-3. Pyrgeometer Specifications.....6
 6-1. Recommendations for Installation of the NR018
 6-2. Cable 1 Wire Color, Function, and Data Logger Connection9
 6-3. Cable 2 Wire Color, Function, and Connections to the 4WPB100
 and Data Logger10
 6-4. Cable 2 Wire Color, Function, and Connection to Data Logger11
 7-1. Main Measurement Errors in the SW Signal.....15
 7-2. Main Measurement Errors in the LW Signal17
 7-3. Average Global Radiation Values at the Earth Surface17
 7-4. Expected NR01 Outputs.....18
 8-1. Maintenance Recommendations.....19
 8-2. Troubleshooting for the NR0120
 A-1. Wiring for CR1000X Example Program A-1
 A-2. Wiring for CR3000 Example Program..... A-4
 A-3. Sensor Wiring for Heater Control Example Program A-7
 B-1. Cable 1 (Solar) Polarity and PCB04 ConnectionB-1
 B-2. Cable 2 (Temperature/Heater) Polarity and PCB04 Connection.....B-1
 B-3. Internal Electrical Diagram of the NR01 (for servicing purposes
 only).....B-2

CRBasic Examples

A-1. CR1000X Program Measuring NR01 A-2
 A-2. CR3000 Program Measuring NR01 A-5
 A-3. CR3000 Program Measuring NR01 and Controlling Heater..... A-8

NR01 Four-Component Net Radiation Sensor

1. Introduction

The NR01, manufactured by Hukseflux, is a research-grade net radiometer that measures the energy balance between incoming short-wave and long-wave infrared radiation versus surface-reflected short-wave and outgoing long-wave infrared radiation. Campbell Scientific data loggers measure the NR01 output and control its internal heater. This net radiometer offers a professional solution for scientific-grade energy balance studies. The NR01 is robust and requires only limited maintenance.

NOTE

This manual provides information only for CRBasic data loggers. For retired Edlog data logger support, see an older manual at www.campbellsci.com/old-manuals.

2. Precautions

- READ AND UNDERSTAND the *Safety* section at the front of this manual.
- Care should be taken when opening the shipping package to not damage or cut the cable jacket. If damage to the cable is suspected, consult with a Campbell Scientific support and implementation engineer.
- Although the NR01 is rugged, it should be handled as a precision scientific instrument.
- Warning: The sensor has two cables with the same color schemes. Make sure you identify cable 1 and cable 2 correctly, especially before connecting any source of power such as to the heater. Failure to do so may damage the sensor.

3. Initial Inspection

- Upon receipt of the NR01, inspect the packaging and contents for damage. File damage claims with the shipping company.
- Each NR01 is shipped with a *Certificate of Calibration* that provides the sensor serial number and sensitivity for each of the four component sensors. Cross check this serial number against the serial number on your NR01 to ensure that the given sensitivity values correspond to your sensor.

4. Overview

The NR01 is a four-component net-radiometer consisting of two pyranometers of type SR01, two pyrgeometers of type IR01, a heater, and a PT100 temperature sensor. The pyranometer measures solar radiation (short wave or SW) and the pyrgeometer measures far infrared (long wave or LW) radiation. LW radiation is mainly present in the 4500 to 50000 nm region, while SW is mainly present in the 300 to 3000 nm region (see FIGURE 4-1).

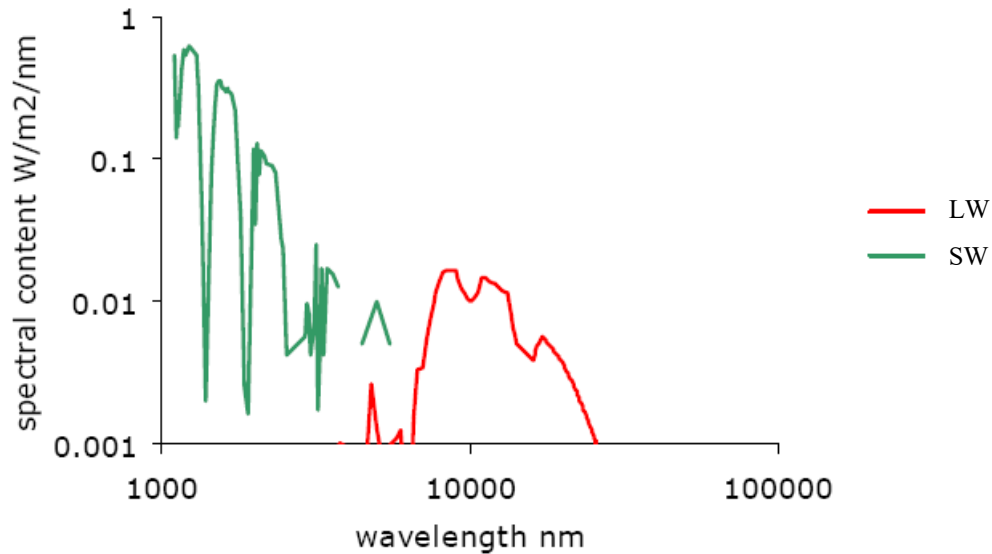


FIGURE 4-1. Atmospheric Radiation as a Function of Wavelength

The PT100 temperature sensor is included in the connection body of the pyrgeometers for calculation of the sky and surface temperature. The heater is included in the pyrgeometers' connection body, and is used to prevent dew.

Measurement of the separate components of the net radiation is useful because it:

- Enhances accuracy by having separately calibrated instruments (similar accuracy cannot be attained with sensors with single outputs or dual outputs). Single-output or dual-output instruments will always suffer from instrument asymmetry or from errors due to sensitivity differences for LW and SW radiation.
- Provides more detailed information than sensors with single or dual outputs, such as albedo of the ground or cloud condition.
- Allows more thorough quality assurance of the instrument data (compared to sensors with single or dual outputs). Quality assurance with four-component radiometers is done by analyzing trends in SW_{in} absolute signal, SW albedo, correlation of SW_{in} and LW_{in} , SW night time signals, and correlation LW_{out} and surface temperature.

The NR01 measures the four separate components of the surface radiation balance. Working completely passive, by using thermopile sensors, the NR01 generates four small output voltages proportional to the incoming and outgoing SW and LW fluxes; SW_{in} or global solar radiation, SW_{out} or reflected solar radiation, LW_{in} or infrared emitted by the sky and LW_{out} or infrared emitted by the ground surface. From these also parameter like SW albedo, sky temperature, (ground) surface temperature and off course net radiation (net value of all SW and LW fluxes) can be calculated.

The NR01 requires leveling; a two-axis leveling facility is incorporated in the design. See Section 6, *Installation* (p. 7).

The NR01 is supplied with four separate instrument sensitivities. To calculate the radiation level, the sensor output voltage, U, must be divided by the sensor sensitivity; a constant, E, that is supplied with each individual instrument:

$$\Phi = SW_{in} = U_{pyrano, up} / E_{pyrano, up}$$

5. Specifications

FIGURE 5-1 shows some dimensions. TABLE 5-1, TABLE 5-2, and TABLE 5-3 provide the general, pyranometer, and pyrgeometer specifications, respectively.

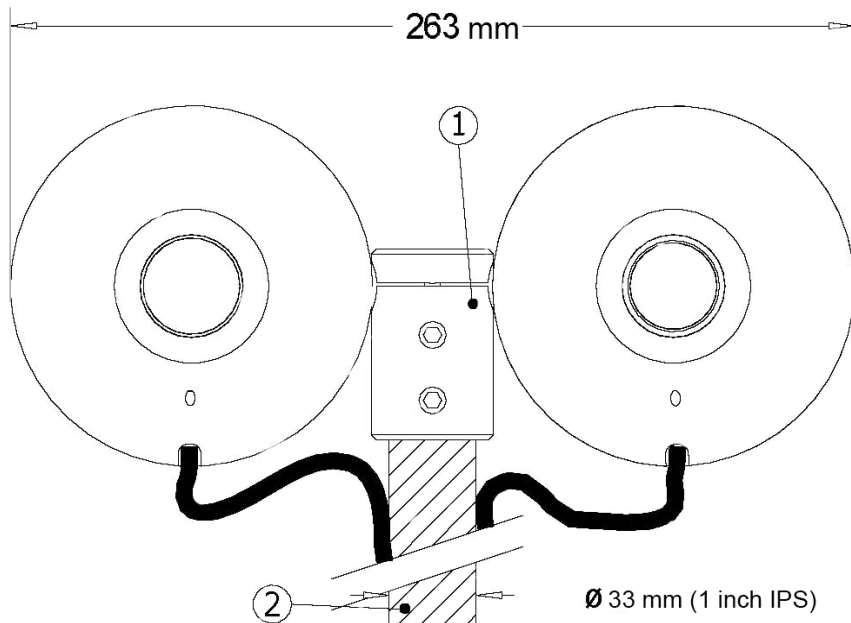


FIGURE 5-1. Dimensions of the NR01 in mm:
(1) 2-Axis Leveling Assembly, (2) Mounting Arm

Features:

- Internal RTD provides temperature compensation of measurements
- Research-grade performance
- Internal 1-W heater reduces formation of dew and melts frost
- Separate outputs of short wave and long wave infrared radiation for better accuracy and more thorough quality assurance
- Robust—only requiring limited maintenance
- Compatible with Campbell Scientific CRBasic data loggers: CR6 series, CR1000, CR1000X series, CR3000, CR5000, and CR9000(X). The CR1000X, CR1000, and CR9000(X) require the 4WPB100 PRT Bridge Module to measure the internal RTD.

TABLE 5-1. General Specifications

Expected accuracy	± 10 % for 12-hour totals, day and night
Operating temperature	-40 to 80 °C
Sensitivity	All sensors have individual calibration factors
T_{pyrgeometer}	PT100 DIN class A
T_{pyrgeometer} accuracy	Within ± 1 °C
T_{pyrgeometer} options	A user-supplied temperature sensor can be inserted into the pyrgeometer connection body. Add gland M12 x 1.5
Heater	90 Ohms, 1.6 W at 12 Vdc; 16 Vdc Max
2 axis leveling assembly	Included, hexagon drive set screw size 2.0 mm, pipe size 1-inch IPS
Radiation shields	Four shields included
Cable length	User specified (in feet). Maximum length is 100 ft.
Cable diameter	5.4 mm (2 cables)
Weight	Instrument only 1.3 kg (2.0 lb) With 5 m cable: 1.3 kg (2.9 lb)
Dimensions	26.3 x 11.3 x 12.1 cm ((10.4 x 4.4 x 4.8 in)
Recommended recalibration interval	Every 2 years
CE compliance	NR01 is compliant with CE directives.

Sensor	Hukseflux thermopile pyranometer
Overall classification according to ISO 9060 / WMO	Second class pyranometer
Response time for 95 % response	18 s
Zero offset a (response to 200 W/m² net thermal radiation)	< 15 W/m ²
Zero offset b (response to 5 k/h change in ambient temperature)	< 4 W/m ²
Non-stability	< 1% change per year
Non-Linearity	< ± 2.5%
Directional response for beam radiation	Within ± 25 W/m ²
Spectral selectivity	± 5% (305 to 2000 nm)
Temperature response (within an interval of 50 °C)	Within 6% (-10 to 40 °C)
Tilt response	Within ± 2%
Sensitivity	10 to 40 µV/Wm ⁻²
Expected voltage output	Application with natural solar radiation: -0.1 to 50 mV
Sensor resistance	Between 40 and 60 Ohms (without trimming)
Power required	Zero (passive sensor)
Range	To 2000 Wm ⁻²
Spectral range	305 to 2800 nm (50% transmission points)
Required programming	$\Phi = U / E$
Expected accuracy for daily sums	± 10%
Calibration traceability	To WRR, procedure according to ISO 9847

Sensor	IR01 pyrgeometer
Overall classification according to ISO / WMO	Not applicable
Response time for 95 % response	18 s
Window heating offset (response to 1000 W/m² net thermal radiation)	< 15 W/m ²
Zero offset b (response to 5 k/h change in ambient temperature)	< 4 W/m ²
Non-Stability	< 1% change per year
Non-Linearity	< ± 2.5%
Field of view	150 degrees
Spectral selectivity	Not specified
Temperature response (within an interval of 50 °C)	Within 6% (-10 to 40 °C)
Tilt response	Within ± 2%
Sensitivity	5 – 15 μV/Wm ⁻²
Expected voltage output	Meteorological application: -5 to 5 mV
Sensor resistance	Between 100 and 400 Ohms
Power required	Zero (passive sensor)
Range	To 1000 Wm ⁻²
Spectral range	4500 to 50000 nm (50% transmission points)
Required programming	$\Phi = U / E$ (in case of net radiation only) $\Phi = (U / E) + 5.67 \cdot 10^{-8} T^4$ (absolute radiation), with T from PT100 measurement
Expected accuracy for daily sums	± 10%
Calibration traceability	International temperature standard

6. Installation

6.1 NR01 Construction

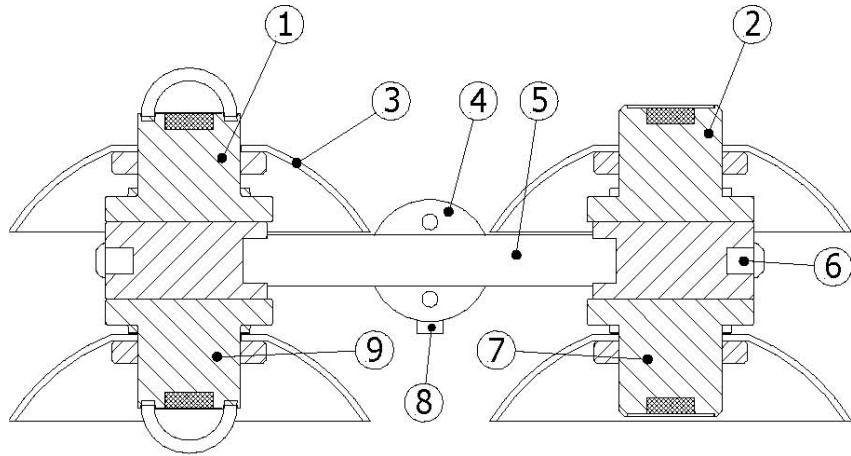


FIGURE 6-1. The NR01 Four-Component Net Radiation Sensor

- (1) SW_{in} solar radiation sensor or pyranometer,
- (2) LW_{in} Far Infrared radiation sensor or pyrgeometer
- (3) radiation shield
- (4) leveling assembly for x- and y-axis, block plus bolts for x-axis adjustment
- (5) leveling assembly for x- and y-axis, horizontal rod
- (6) connection body containing the PT100 temperature sensor, heater, and hole for user-supplied temperature sensor (add cable gland M8)
- (7) LW_{out} Far Infrared radiation sensor or pyrgeometer
- (8) leveling assembly for x- and y-axis, bolts for y-axis adjustment
- (9) SW_{out} solar radiation sensor or pyranometer

A level is located under the radiation screens.

6.2 Mounting

The NR01 has a hole suitable for a 1-inch IPS pipe (33 mm diameter) for mounting the NR01 onto a CM204 or CM206 crossarm. The crossarm can be mounted to any pole with a 25-mm to 54-mm outer diameter. However, for most applications, Campbell Scientific recommends attaching the crossarm to a CM310-series pole so that the sensor is above vegetation. You can also mount the crossarm to the tripod or tower that supports the data logger enclosure.

Slightly loosen the two bolts at the opposite end of the tube mount (4 in FIGURE 6-1) and rotate the sensor mount tube to level the sensor in the two axes. Once the sensor is leveled, tighten all the Allen bolts, restricting further movement of the sensor.

TABLE 6-1 gives other general guidelines for the positioning and installation of the sensor.

TABLE 6-1. Recommendations for Installation of the NR01	
Location	Location of measurement should be representative of the total surrounding area, in particular in case the NR01 is used for environmental net radiation measurements. If possible, mount the sensor on a separate pole at least 25 ft away from the main data logger tower or tripod.
Mechanical mounting	A 2-axis leveling assembly is included as part of the sensor mount which is suitable for a range of pipe diameters, maximum 1-inch IPS pipe (33 mm diameter).
Radiation detection	Avoid objects that cast shadows or reflections on the instrument. This includes both incoming and outgoing radiation.
Leveling	Use the bubble-level to see if the instrument is mounted horizontally. For viewing the level, the radiation screens must be removed. Alternatively, a spirit level can carefully be put on the pyreometer window.
Orientation	By convention, with the wiring to the nearest pole (north in the northern hemisphere, south in the southern hemisphere).
Height of installation	In case of inverted installation, a height of approximately 4 ft (1.5 m) above ground is recommended by the WMO (to get good spatial averaging).
Tilt	The NR01 should typically be installed horizontally, but for some applications, may be installed in a tilted position. In all cases, it will measure the fluxes that are incident on the surface that is parallel to the sensor surface.

6.3 Data Logger Wiring

Cables generally act as a source of signal distortion by picking up capacitively coupled noise. Therefore, Campbell Scientific recommends keeping the distance between the data logger and sensor as short as possible.

6.3.1 Cable 1 Connections

The NR01 has two cables. Cable 1 connects the four radiation outputs to either differential or single-ended terminals on the data logger (TABLE 6-2). A differential voltage measurement is recommended because it has better noise rejection than a single-ended measurement. When differential inputs are used, jumper the low side of the input to \perp to keep the signal within the common mode range.

WARNING

The two cables have similar color schemes. Make sure you identify cable 1 and cable 2 correctly, especially before connecting any source of power such as to the heater. Failure to do so may damage the sensor.

TABLE 6-2. Cable 1 Wire Color, Function, and Data Logger Connection

Wire Color ¹	Description	Data Logger Single-Ended Measurement	Data Logger Differential Measurement
Red	Pyranometer Up Signal	U configured for single-ended analog input ² , SE (single-ended, analog-voltage input)	U configured for differential high ² , DIFF H (differential high, analog-voltage input)
Blue	Pyranometer Up Reference	⊥ (analog ground)	U configured for differential low ^{2, 3} , DIFF L ³ (differential low, analog-voltage input)
White	Pyranometer Down Signal	U configured for single-ended analog input ² , SE (single-ended, analog-voltage input)	U configured for differential high ² , DIFF H (differential high, analog-voltage input)
Green	Pyranometer Down Reference	⊥ (analog ground)	U configured for differential low ^{2, 3} , DIFF L ³ (differential low, analog-voltage input)
Brown	Pyrgeometer Up Signal	U configured for single-ended analog input ² , SE (single-ended, analog-voltage input)	U configured for differential high ² , DIFF H (differential high, analog-voltage input)
Yellow	Pyrgeometer Up Reference	⊥ (analog ground)	U configured for differential low ^{2, 3} , DIFF L ³ (differential low, analog-voltage input)
Pink/Purple	Pyrgeometer Down Signal	U configured for single-ended analog input ² , SE (single-ended, analog-voltage input)	U configured for differential high ² , DIFF H (differential high, analog-voltage input)
Grey	Pyrgeometer Down Reference	⊥ (analog ground)	U configured for differential low ^{2, 3} , DIFF L ³ (differential low, analog-voltage input)
Shield	Shield	⊥	⊥

¹ Ensure that it is cable 1 before connecting.

² U terminals are automatically configured by the measurement instruction.

³ Jumper to ⊥ with user-supplied wire.

6.3.2 Cable 2 Connections

Cable 2 is for connecting the PT100. The CR1000X, CR1000, and CR9000(X) require the 4WPB100 module (FIGURE 6-2) to interface the PT100 to the data logger (TABLE 6-3). The PT100 sensor can connect directly to the CR6, CR3000, and CR5000 dataloggers because they have current excitation terminals (TABLE 6-4).

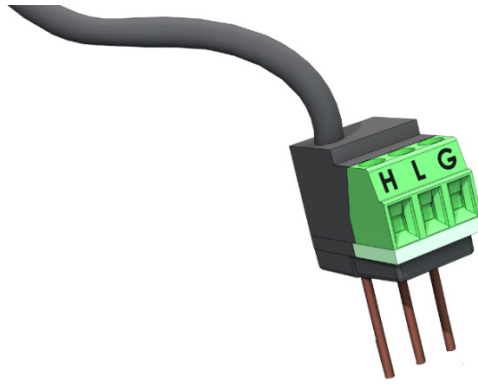


FIGURE 6-2. 4WPB100 Module

NOTE The PT100 sensor can be measured by using a 3WHB10K terminal input module instead of the 4WPB100, with only a slight loss of accuracy. This only requires one differential terminal. Refer to the [3WHB10K manual](#) for more information.

Cable 2 ¹		4WPB100	Data Logger Connection Terminal
Wire Color	Wire Function		
		Black Wire	EX or VX (voltage excitation)
		H	DIFF H (differential high, analog-voltage input)
Red	Current Excitation	L	DIFF L (differential low, analog-voltage input)
Blue	Current Return	G	⏏ (analog ground)
White	PT100 Signal		DIFF H (differential high, analog-voltage input)
Green	PT100 Signal Reference		DIFF L (differential low, analog-voltage input)
Brown	Heater Power		12V, SW12V, SW12 (only connect if using the heater) ²
Yellow	Heater Ground		G (only connect if using the heater) ²
Clear	Shield		⏏

¹ Ensure that it is cable 2 before connecting. The pink/purple wire and grey wire are not used.
² Only use the heater if dew is likely to form on the sensors. Refer to Section 6.4, *Using the Heater* (p. 11), for more information.

TABLE 6-4. Cable 2 Wire Color, Function, and Connection to Data Logger		
Wire Color¹	Wire Function	Data Logger Connection Terminal
Red	Current Excitation	U configured as current excitation ² , IX (current excitation)
Blue	Current Return	\perp (CR6 analog ground), IXR (current excitation return)
White	PT100 Signal	U configured for differential high ² , DIFF H (differential high, analog-voltage input)
Green	PT100 Signal Reference	U configured for differential low ² , DIFF L (differential low, analog-voltage input)
Brown	Heater Power	12V, SW12V, SW12 (only connect if using the heater) ³
Yellow	Heater Ground	G (only connect if using the heater) ³
Clear	Shield	\perp
¹ Ensure that it is cable 2 before connecting. The pink/purple wire and grey wire are not used. ² U terminals are automatically configured by the measurement instruction. ³ Only use the heater if dew is likely to form on the sensors. Refer to Section 6.4, <i>Using the Heater</i> (p. 11), for more information.		

6.4 Using the Heater

Only use the sensor heater if dew is likely to form on the sensors, especially for low power installations. Furthermore, the heater should be turned on and off infrequently as it may take some time for the sensor to come to thermal equilibrium. No damage will result if the heater is powered permanently, but as with all thermopile sensors, it is best if the sensor operates at ambient temperatures and is not subject to rapidly changes of temperature.

Control the sensor power by using a data logger SW12 switched 12 V terminal or an external solid-state switch. The heater current drain is approximately 140 mA from a 12 V battery. Connect the ground return from the heater, either directly to the battery, or to a G terminal close the power input to the data logger (that is, not to an analog ground near the measurement inputs).

The heater power can be controlled by adding instructions to the data logger program, that turns on the heater only when the light level falls below 20 W m^{-2} or, if a measurement of air humidity is available, when the dewpoint of the air falls to within $1 \text{ }^\circ\text{C}$ of the sensor body temperature. Appendix A.3, *CR3000 Program that Controls the Heater* (p. A-6), provides an example CR3000 program that controls the NR01 heater.

6.5 Installation of the Radiation Shields

Use a hex-head wrench (bolt size 2.0 mm) to install or remove the radiation shield (FIGURE 6-3). Radiation shields are beneficial for instrument measurement accuracy and instrument and cable lifetime. They also serve as

rain and snow shield. However, the instrument should function within specifications without the radiation shield.

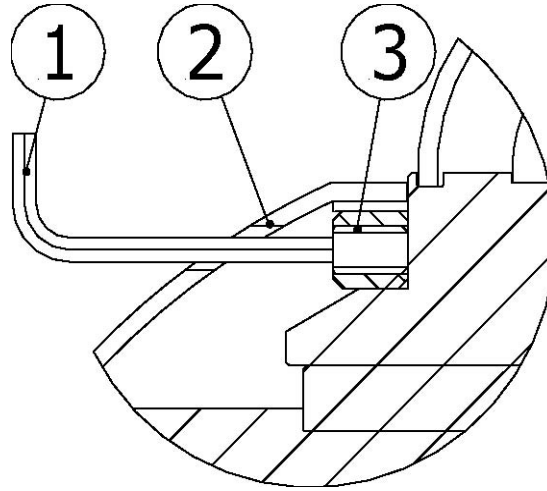


FIGURE 6-3. Installation and removal of radiation shields: (1) hex-head wrench, (2) radiation screen, (3) hexagon drive set screw

6.6 Data Logger Programming

Programming basics for CRBasic data loggers are provided in the following sections. Equations used to calculate solar parameters and measurement details are provided in Section 7, *Operation* (p. 13). Complete program examples for a CRBasic data logger can be found in Appendix A, *Example Programs* (p. A-1). Programming basics and programming examples for Edlog data loggers are provided at www.campbellsci.com/old-manuals.

6.6.1 Pyranometer/Pyrgeometer Measurements

The NR01 outputs four voltages that typically range from 0 to 50 mV for the SR01 pyranometers, and ± 5 mV for the IR01 pyrgeometer. These voltages are measured by using either the **VoltDiff()** CRBasic instruction or **VoltSE()** CRBasic instruction. Differential voltage measurements are recommended because they provide better noise rejection than single-ended measurements.

If differential terminals are not available, single-ended measurements can be used. The acceptability of single-ended measurements can be determined by comparing the results of single-ended and differential measurements made under the same conditions.

6.6.2 Calibration Factors

Each NR01 is provided with a *Certificate of Calibration* by the manufacturer. This certificate shows the sensor serial number and sensitivity for each of the four component sensors. The individual calibration factors are unique to the individual sensor and must be applied in the data logger program to convert the voltages to energy fluxes in W m^{-2} .

The calibration factor is in units of $\mu\text{V}/(\text{W m}^{-2})$, which needs to be converted to units of $(\text{W m}^{-2})/\text{mV}$ for the multiplier parameter in the data logger program.

To convert the units, divide the calibration factor into 1000. For example, if the calibration factor is $7.30 \mu\text{V}/(\text{W m}^{-2})$, the multiplier is $1000/7.3 = 136.99 (\text{W m}^{-2})/\text{mV}$.

6.7 Instrument-Inversion Test

Campbell Scientific recommends performing the instrument-inversion test after installation. This test consists of inverting the instrument position (180 degrees turn) and looking at the output signals. The instrument output should have the same magnitude but a reversed sign (so + to – and – to +). For best results, perform this test on a clear day—preferably around noon (with the sun high in the sky).

Deviations within $\pm 10\%$ can be tolerated. For optimal testing of pyrometers, the test should be repeated on a clear night.

7. Operation

7.1 Measurement Principle

The NR01 typically measures net-radiation. The four components of net radiation are measured, and the net radiation is calculated:

NOTE

The temperature (T_{pyrgeo}) for the following formula is in Kelvin. If the temperature is measured in degrees Celsius, add 273.15 to the T_{pyrgeo} value.

$$SW_{\text{in}} = U_{\text{pyrano, up}} / E_{\text{pyrano, up}} \quad 7-1$$

$$SW_{\text{out}} = U_{\text{pyrano, down}} / E_{\text{pyrano, down}} \quad 7-2$$

$$LW_{\text{in}} = (U_{\text{pyrgeo, up}} / E_{\text{pyrgeo, up}}) + 5.67 \cdot 10^{-8} (T_{\text{pyrgeo}})^4 \quad 7-3$$

$$LW_{\text{out}} = (U_{\text{pyrgeo, down}} / E_{\text{pyrgeo, down}}) + 5.67 \cdot 10^{-8} (T_{\text{pyrgeo}})^4 \quad 7-4$$

The instrument temperature is cancelled in the LW_{net} :

$$LW_{\text{net}} = U_{\text{pyrgeo, up}} / E_{\text{pyrgeo, up}} - U_{\text{pyrgeo, down}} / E_{\text{pyrgeo, down}} \quad 7-5$$

$$SW_{\text{net}} = U_{\text{pyrano, up}} / E_{\text{pyrano, up}} - U_{\text{pyrano, down}} / E_{\text{pyrano, down}} \quad 7-6$$

$$NR = SW_{\text{net}} + LW_{\text{net}} \quad 7-7$$

The equation for the SW_{albedo} is as follows:

$$SW_{\text{albedo}} = SW_{\text{in}} / SW_{\text{out}} \quad 7-8$$

NOTE

The following equations assume the temperature is in Kelvin. Add 273.15 to equations 7-9 and 7-10 for temperature in degree Celsius.

$$T_{\text{surface}} = (LW_{\text{out}} / 5.67 \cdot 10^{-8})^{1/4} \quad 7-9$$

$$T_{\text{sky}} = (LW_{\text{in}} / 5.67 \cdot 10^{-8})^{1/4}$$

7-10

7.1.1 Pyranometers

A pyranometer measures the solar or SW radiation flux from a field of view of 180 degrees. The atmospheric SW radiation spectrum extends roughly from 300 to 2800 nm. The pyranometer should cover that spectrum with a spectral sensitivity that is as flat as possible.

For a flux measurement, it is required by definition that the response to beam radiation varies with the cosine of the angle of incidence. For example, full response occurs when the solar radiation hits the sensor perpendicularly (normal to the surface, sun at zenith, 0 degrees angle of incidence); zero response occurs when the sun is at the horizon (90 degrees angle of incidence, 90 degrees zenith angle), and half a response occurs at 60 degrees angle of incidence. It follows from the definition that a pyranometer should have a so-called directional response or cosine response that is close to the ideal cosine characteristic.

To attain the proper directional and spectral characteristics, a pyranometer main components are:

1. Thermopile sensor with a black coating – absorbs all solar radiation, provides a flat spectrum covering the 300 to 50000-nanometer range, and has a near-perfect cosine response.
2. Glass dome – limits the spectral response from 300 to 2800 nanometers (cutting off the part above 2800 nm) while preserving the 180 degrees field of view (FIGURE 7-1). Another function of the dome is that it shields the thermopile sensor from convection.

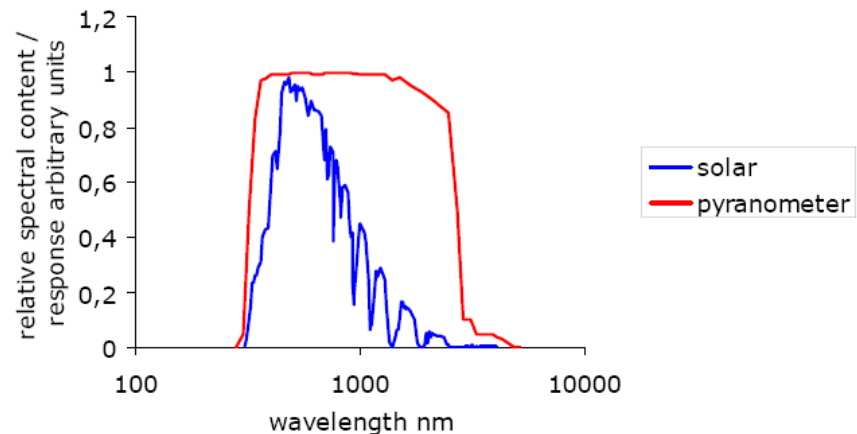


FIGURE 7-1. Spectral response of the pyranometer compared to the solar spectrum. The pyranometer only cuts off a negligible part of the total solar spectrum.

The black coating on the thermopile sensor absorbs the solar radiation. This radiation is converted to heat. The heat flows through the sensor to the pyranometer housing. The thermopile sensor generates a voltage output signal that is proportional to the solar radiation.

$$SW_{in} = U_{pyrano, up} / E_{pyrano, up}$$

7-11

In case of the NR01, the pyranometer is type SR01. This is a second-class pyranometer according to the WMO and ISO classification system (ISO 9060).

The atmospheric solar radiation consists of two components—direct radiation (in a beam from the sun) and diffuse radiation from the sky.

For down facing instruments, the earth surface reflects part of the solar radiation, depending on the local surface properties. If there is direct radiation, this often is the dominant source of energy. Because the solar position is changing, this implies that for a pyranometer the directional response is quite important.

TABLE 7-1 summarizes the main sources of measurement errors for the SR01. The error in the directional response is caused by non-perfect optical properties of the dome and coating. The infrared offset is produced when the low temperature sky cools off the instrument dome. Because the LW radiation balance between dome and sky is negative, a negative sensor offset occurs as the dome cools.

TABLE 7-1. Main Measurement Errors in the SW Signal	
Source	Maximum Error
Directional response	$\pm 30 \text{ W/m}^2$ on SW_{in} in practice this level is $\pm 15 \text{ W/m}^2$ on SW_{in} at $1000 \text{ W/m}^2 SW_{in}$
Infrared offset	-15 W/m^2 on SW_{in} at $-200 \text{ W/m}^2 LW_{net}$
Temperature dependence	$\pm 5\%$ for the entire range

7.1.2 Pyrgeometers

A pyrgeometer should measure the far infrared or LW radiation flux from a field of view of 180 degrees. The atmospheric LW radiation spectrum extends roughly from 4500 to 50000 nm. The pyrgeometer should cover that spectrum with a spectral sensitivity that is as flat as possible.

For a flux measurement, by definition, the response to beam radiation varies with the cosine of the angle of incidence. For example, full response occurs when the radiation hits the sensor perpendicularly (normal to the surface, source at zenith, 0 degrees angle of incidence); zero response occurs when the radiation comes from the horizon (90 degrees angle of incidence, 90 degrees zenith angle), and half a response occurs at 60 degrees angle of incidence. It follows from the definition that a pyrgeometer should have a so-called directional response or cosine response that is close to the ideal cosine characteristic.

To attain the proper directional and spectral characteristics, a pyrgeometer main components are:

- 1 Thermopile sensor with a black coating – absorbs all LW and SW radiation, provides a flat spectrum covering the 300 to 50000 nanometer range, and has a near-perfect cosine response.

- 2 Silicon window with solar blocking – limits the spectral response from 4500 to 50000 nanometers (cutting off the part below 4500 nm) while preserving the 150 degrees field of view (not the ideal 180 degrees). Another function of the window is that it shields the thermopile sensor from convection (FIGURE 7-2).

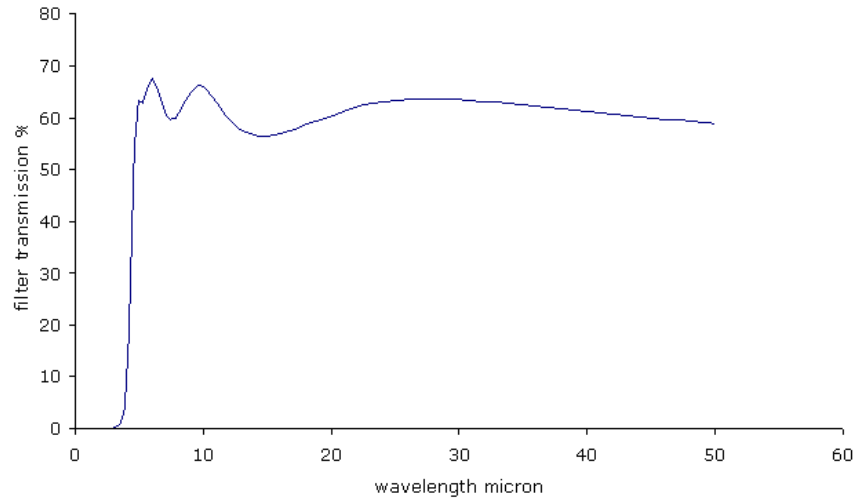


FIGURE 7-2. Spectral response of the pyrgeometer compared to the atmospheric LW spectrum

The black coating on the thermopile sensor absorbs the LW radiation. This radiation is converted to heat. The heat flows through the sensor to the housing. The thermopile sensor generates a voltage output signal that is proportional to the LW radiation that is exchanged between sensor and source. However, the sensor itself also irradiates LW radiation. This is according to Plank’s law, so that the pyrgeometer thermopile signal is composed of the incoming radiation minus the outgoing radiation. To estimate the outgoing component, the pyrgeometer temperature is measured independently, by using a PT100 or a user-supplied temperature sensor. Equation 7-12 calculates the incoming LW radiation assuming T_{pyrgeo} is in Kelvin:

$$LW_{in} = (U_{pyrgeo, up} / E_{pyrgeo, up}) + 5.67 \cdot 10^{-8} (T_{pyrgeo})^4 \quad 7-12$$

For LW_{out} a similar formula is valid. The equations are the same for up and down facing instruments.

It is possible to calculate temperatures of the objects within the field of view of the instrument, assuming these are uniform- temperature blackbodies (emission coefficient of 1). For example, equation 7-13 calculates, in Kelvin, the sky temperature:

$$T_{sky} = (LW_{in} / 5.67 \cdot 10^{-8})^{1/4} \quad 7-13$$

The NR01 pyrgeometers are type IR01. Pyrgeometers are not classified by the ISO or WMO.

The atmospheric LW_{in} radiation essentially consists of two components:

- 1 Low temperature radiation from the universe, filtered by the atmosphere. The atmosphere is transparent for this radiation in the so-called atmospheric window (around 10 to 15 micrometer wavelength).
- 2 Higher temperature radiation emitted by atmospheric gasses.

Down facing instruments are presumably looking directly at the surface, which behaves like a normal blackbody.

As a first approximation, the sky can be seen as a cold temperature source with its lowest temperatures at zenith and getting warmer at the horizon. The uniformity of this LW source is much better than that in the solar (SW) range, where the sun is a dominant and non-uniform contributor. This explains why a pyrgeometer with 150 degrees field of view can perform a good measurement.

TABLE 7-2 summarizes the main measurement errors for the IR01. The error in the directional response is caused by non-perfect field of view. The window-heating offset occurs when solar radiation heats up the instrument window, producing a positive sensor offset.

Source	Maximum Error
Directional response	8 W/m ² on LW_{in} at -100 W/m ² LW_{net}
Window heating offset	+15 W/m ² on LW_{in} at 1000 W/m ² SW_{in}
Temperature dependence	±5% for the entire range

7.1.3 Expected Measurement Results

The average energy balance at the earth surface strongly depends on the:

- Latitude (mostly for SW)
- Local surface properties (SW and LW)
- Local surface temperature (LW)

TABLE 7-3 summarizes the average global values. The average net radiation at the earth surface is positive, and the remaining energy is used for convective heat transport and evaporation.

Type	SW_{in}	SW_{out}	SW_{net}	LW_{in}	LW_{out}	LW_{net}	Net
Units	W/m ²	W/m ²	W/m ²	W/m ²	W/m ²	W/m ²	W/m ²
Value	198	-30	168	324*	-390**	-66	102
* LW_{in} value assumes a sky temperature of 2 °C. ** LW_{out} value assumes a surface temperature of 14 °C.							

NOTE The LW radiation values in TABLE 7-3 are corrected for sensor temperature. The values in TABLE 7-4 are not corrected for sensor temperature.

On a smaller timescale, the most important factors are:

- solar position
- cloud cover

The ambient air temperature is less important because cloud base temperature tends to follow surface temperature.

TABLE 7-4 provides the expected outputs. This table makes a distinction between the day and night (D/N), cloudy and clear (CD / CR) conditions, and high and low ambient air temperatures.

The raw reading of the upward facing pyrgeometer is generally close to zero when the sensor temperature is near the ground temperature. Expect small negative readings when the sensor is above cooled surfaces such as water or transpiring vegetation, or small positive readings when the surface is emitting heat (for example, warm soil at night). The instrument temperature is normally close to air temperature.

TABLE 7-4. Expected NR01 Outputs

D / N	CD / CR	Ambient air temp.	pyrgeo down*	pyrgeo up*	pyrano down	pyrano up	T _{sky}	T _{ground}
		°C	W/m ²	W/m ²	W/m ²	W/m ²	°C	°C
D	CD	+20	0	0	0 to 500	0 to 150	20	+20
D	CD	-20	0	0	0 to 500	0 to 150	-20	-20
D	CR	+20	-70***	0	0 to 1500	0 to 400	+1	+20
D	CR	-20	-70***	0	0 to 1500	0 to 400	-50	-20
N	CD	+20	0	0	0	0	+20	+20
N	CD	-20	0	0	0	0	-20	-20
N	CR	+20	-70**	0	0****	0	1	+20
N	CR	-20	-70**	0	0****	0	50	-20

*Outputs listed for both pyrgeometers are not compensated for sensor temperature. For example, to correct for sensor temperature when the sensor temperature is 14 °C, you should add 385 W/m² to the pyrgeometer signals.

** At night, dew deposition may affect the downward facing pyrgeometer output. In that case, the signal may drop to 0 W/m², producing a maximum error of +100 W/m². Campbell Scientific recommends activating the heater to avoid dew deposition.

*** During the day, the window-heating offset may affect the downward facing pyrgeometer output. This can produce a maximum error of +15 W/m².

**** At night, the infrared offset may affect the downward facing pyranometer output. The maximum error of this offset is -25 W/m².

8. Maintenance and Troubleshooting

8.1 Maintenance

The NR01 requires little maintenance. Dirt should be cleaned off the domes every few weeks. Usually errors in functionality appear as unreasonably large or small measured values. See TABLE 8-1 for specific maintenance recommendations.

TABLE 8-1. Maintenance Recommendations
Critical review of data
Cleaning of dome by using water or alcohol every few weeks
Inspection of dome interior; no condensation every few weeks
Inspection of cables for open connections every few weeks
Perform the procedure provided in Section 6.7, <i>Instrument-Inversion Test (p. 13)</i> .
Recalibration: suggested every 2 years, typically by intercomparison with a higher standard in the field.

8.2 Troubleshooting

8.2.1 Data Quality Assurance

To assure quality data, look for unrealistic values when analyzing:

- Trends in SW_{in} absolute signal
- SW albedo
- Correlation of SW_{in} and LW_{in}
- SW night time signals
- Correlation of relation LW_{out} and surface temperature

8.2.2 Problem Diagnosis

TABLE 8-2 contains information used to diagnosis problems whenever the sensor does not function properly.

TABLE 8-2. Troubleshooting for the NR01	
The sensor does not give any signal	<p>Typically, an error is due to either a short circuit or an open connection. Both can be detected by impedance / resistance measurements at the cable end.</p> <p>In case of open circuits: open the instrument and check the internal connections (TABLE B-3).</p>
The sensor signal is unrealistically high or low	<p>Check if the right calibration factors are entered into the algorithm. Please note that each sensor has its own individual calibration factor.</p> <p>Check if the voltage reading is divided by the calibration factor by review of the algorithm.</p> <p>Check the condition of the wires at the data logger.</p> <p>Check the cabling condition looking for cable breaks.</p> <p>Check the data acquisition by applying an mV source to it in the 1 mV range.</p> <p>Perform a sensor-inversion test (Section 6.7, <i>Instrument-Inversion Test</i> (p. 13)).</p> <p>Open the instrument and check the internal connections (TABLE B-3).</p>
The sensor signal shows unexpected variations	<p>Check the presence of strong sources of electromagnetic radiation (radar, radio etc.).</p> <p>Check the condition of the shielding.</p> <p>Check the condition of the sensor cable.</p> <p>Open the instrument and check the internal connections (TABLE B-3).</p>

Appendix A. Example Programs

A.1 CR1000X Program Using Differential Terminals

Wiring for this CR1000X example program is shown in TABLE A-1. The program uses differential terminals to measure the four radiation outputs. The 4WPB100 100 Ohm, 4-Wire PRT Bridge Terminal Input Module is used to measure the PT100 temperature sensor. The program measures the sensors every two seconds, then calculates and stores the following data every 60 minutes:

- Year
- Julian Day
- Hour/Minute
- Avg SR01 Up (short wave radiation)
- Avg SR01 Down (short wave radiation)
- Avg IR01 Up (long wave radiation)
- Avg IR01 Down (long wave radiation)
- Avg NR01 temperature (degrees C)
- Avg NR01 temperature (degrees K)
- Avg Net shortwave radiation
- Avg Net long wave radiation
- Avg Albedo
- Avg Total Net radiation
- Avg temperature corrected IR01 Up
- Avg temperature corrected IR01 Down

TABLE A-1. Wiring for CR1000X Example Program

NR01		4WPB100	Description	CR1000X
Cable 1 ¹ Wire Color	Cable 2 ² Wire Color			
Red			Pyranometer Up Signal	1H
Blue			Pyranometer Up Reference	1L ³
White			Pyranometer Down Signal	2H
Green			Pyranometer Down Reference	2L ³
Brown			Pyrgeometer Up Signal	3H
Yellow			Pyrgeometer Up Reference	3L ³
Pink/Purple			Pyrgeometer Down Signal	4H
Grey			Pyrgeometer Down Reference	4L ³
Clear			Shield	⊥
		Black wire	4WPB100 excitation	VX1
		H	4WPB100 analog input	5H
	Red	L	Current Excitation	5L
	Blue	G	Current Return	⊥

TABLE A-1. Wiring for CR1000X Example Program

NR01				
Cable 1 ¹ Wire Color	Cable 2 ² Wire Color	4WPB100	Description	CR1000X
	White		PT100 Signal	6H
	Green		PT100 Signal Reference	6L
	Clear		Shield	⊥ ³

¹ Ensure that it is cable 1 before connecting.
² Ensure that it is cable 2 before connecting.
³ Jumper to ⊥ with user supplied wire.

CRBasic Example A-1. CR1000X Program Measuring NR01

```
'CR1000X

'Declare Variables and Units
Public Batt_Volt
Public SR01Up
Public SR01Dn
Public IR01Up
Public IR01Dn
Public NR01TC
Public NR01TK
Public NetRs
Public NetRl
Public Albedo
Public UpTot
Public DnTot
Public NetTot
Public IR01UpCo
Public IR01DnCo

Units Batt_Volt=Volts
Units SR01Up=W/m2
Units SR01Dn=W/m2
Units IR01Up=W/m2
Units IR01Dn=W/m2
Units NR01TC=Deg C
Units NR01TK=K
Units NetRS=W/m2
Units NetRl=W/m2
Units Albedo=W/m2
Units UpTot=W/m2
Units DnTot=W/m2
Units NetTot=W/m2
Units IR01UpCo=W/m2
Units IR01DnCo=W/m2

'Typical data on the calibration sheet might be
'Sensitivity μV/W/m^2
'Pyranometer UP SR01 15.35
'Pyranometer DOWN SR01 13.30
'Pyrgeometer UP IR01 8.5
'Pyrgeometer DOWN IR01 8.2

'So load the four calibration coefficients specific to this sensor (1000/Sensitivity)
Const SR01Upca1 = 65.146
Const SR01Downca1 = 75.18
Const IR01Upca1 = 117.65
Const IR01Downca1 = 121.95
```

```

'Define Data Tables
DataTable(Hourly,True,-1)
DataInterval(0,60,Min,10)
Average(1,SR01Up,FP2,False)
Average(1,SR01Dn,FP2,False)
Average(1,IR01Up,FP2,False)
Average(1,IR01Dn,FP2,False)
Average(1,NR01TC,FP2,False)
Average(1,NR01TK,FP2,False)
Average(1,NetRs,FP2,False)
Average(1,NetRl,FP2,False)
Average(1,Albedo,FP2,False)
Average(1,UpTot,FP2,False)
Average(1,DnTot,FP2,False)
Average(1,NetTot,FP2,False)
Average(1,IR01UpCo,FP2,False)
Average(1,IR01DnCo,FP2,False)
EndTable

'Main Program
BeginProg
Scan(2,Sec,1,0)
'Default Data Logger Battery Voltage measurement Batt_Volt:
Battery(Batt_Volt)
'NR01 Net Radiometer measurements SR01Up, SR01Dn, IR01Up, IR01Dn, NR01TC, NR01TK,
'NetRs, NetRl, Albedo, UpTot, DnTot, NetTot, IR01UpCo, and IR01DnCo
'For the CR1000X, use autorange for the SR01 measurements due to the wide dynamic range
VoltDiff(SR01Up,1,autorange,1,True,0,50,SR01UpCal,0)
VoltDiff(SR01Dn,1,autorange,2,True,0,50,SR01DownCal,0)
VoltDiff(IR01Up,1,mV200,3,True,0,50,IR01Upcal,0)
VoltDiff(IR01Dn,1,mV200,4,True,0,50,IR01DownCal,0)
BrHalf4W (NR01TC,1,mV200,mV200,5,Vx1,1,4000,True ,True ,0,15000,1.0,0)
PRT(NR01TC,1,NR01TC,1,0)
NR01TK=NR01TC+273.15
NetRs=SR01Up-SR01Dn
NetRl=IR01Up-IR01Dn
Albedo=SR01Dn/SR01Up
UpTot=SR01Up+IR01Up
DnTot=SR01Dn+IR01Dn
NetTot=UpTot-DnTot
IR01UpCo=IR01Up+5.67*10^-8*NR01TK^4
IR01DnCo=IR01Dn+5.67*10^-8*NR01TK^4
'Call Data Tables and Store Data
CallTable(Hourly)
NextScan
EndProg

```

NOTE

Proper entries will vary with program and input terminal usage.

For the **VoltDiff()** instruction, use the mV50 range for the CR3000/CR5000 and use autorange or mV7_5 for the CR1000.

For the **BrHalf4W()** instruction, use mV50 range (both) with 4200 mV excitation for the CR3000/CR5000 and use the mV25 range (both) with 2100 mV excitation for the CR1000.

A.2 CR3000 Program Using Differential Terminals (no 4WPB100)

CRBasic Example [A-2](#) requires five differential terminals and one current excitation terminal to measure the four radiation outputs and the PT100

temperature sensor. Connection details are given in TABLE A-2. The program measures the sensors every second and calculates and stores the following data every 60 minutes:

- Year
- Julian Day
- Hour/Minute
- Avg SR01 Up (shortwave radiation)
- Avg SR01 Down (shortwave radiation)
- Avg IR01 Up (longwave radiation)
- Avg IR01 Down (longwave radiation)
- Avg NR01 temperature (degrees C)
- Avg NR01 temperature (degrees K)
- Avg Net shortwave radiation
- Avg Net longwave radiation
- Avg Albedo
- Avg Total Net radiation
- Avg temperature corrected IR01 Up
- Avg temperature corrected IR01 Down

TABLE A-2. Wiring for CR3000 Example Program

NR01		Description	CR3000
Cable 1 ¹ Wire Color	Cable 2 ² Wire Color		
Red		Pyranometer Up Signal	1H
Blue		Pyranometer Up Reference	1L³
White		Pyranometer Down Signal	2H
Green		Pyranometer Down Reference	2L³
Brown		Pyrgeometer Up Signal	3H
Yellow		Pyrgeometer Up Reference	3L³
Pink/Purple		Pyrgeometer Down Signal	4H
Grey		Pyrgeometer Down Reference	4L³
Clear		Shield	⊥
	Red	Current Excitation	IX1
	Blue	Current Return	IXR
	White	PT100 Signal	6H
	Green	PT100 Signal Reference	6L
	Clear	Shield	⊥

¹ Ensure that it is cable 1 before connecting.
² Ensure that it is cable 2 before connecting.
³ Jumper to ⊥ with user supplied wire.

CRBasic Example A-2. CR3000 Program Measuring NR01

```

'CR3000 DataLogger

'Declare Variables and Units
Public Batt_Volt
Public SR01Up
Public SR01Dn
Public IR01Up
Public IR01Dn
Public NR01TC
Public NR01TK
Public NetRs
Public NetR1
Public Albedo
Public UpTot
Public DnTot
Public NetTot
Public IR01UpCo
Public IR01DnCo

Units Batt_Volt = Volts
Units SR01Up = W/m2
Units SR01Dn = W/m2
Units IR01Up = W/m2
Units IR01Dn = W/m2
Units NR01TC = Deg C
Units NR01TK = K
Units NetRs = W/m2
Units NetR1 = W/m2
Units Albedo = W/m2
Units UpTot = W/m2
Units DnTot = W/m2
Units NetTot = W/m2
Units IR01UpCo = W/m2
Units IR01DnCo = W/m2

'Load the four calibration coefficients specific to this sensor (see example 1)
Const SR01Upca1 = 65.146
Const SR01Downca1 = 75.18
Const IR01Upca1 = 117.65
Const IR01Downca1 = 121.95

'Define Data Tables
DataTable(Hourly, True, -1)
  DataInterval(0, 60, Min, 10)
  Average(1, SR01Up, FP2, False)
  Average(1, SR01Dn, FP2, False)
  Average(1, IR01Up, FP2, False)
  Average(1, IR01Dn, FP2, False)
  Average(1, NR01TC, FP2, False)
  Average(1, NR01TK, FP2, False)
  Average(1, NetRs, FP2, False)
  Average(1, NetR1, FP2, False)
  Average(1, Albedo, FP2, False)
  Average(1, UpTot, FP2, False)
  Average(1, DnTot, FP2, False)
  Average(1, NetTot, FP2, False)
  Average(1, IR01UpCo, FP2, False)
  Average(1, IR01DnCo, FP2, False)
EndTable

'Main Program
BeginProg
Scan(1, Sec, 1, 0)
'Default Data Logger Battery Voltage measurement Batt_Volt:
  Battery(Batt_Volt)
'NR01 Net Radiometer measurements SR01Up, SR01Dn, IR01Up, IR01Dn, NR01TC, NR01TK,

```

```

'NetRs, NetRl, Albedo, UpTot, DnTot, NetTot, IR01UpCo, and IR01DnCo
'Uses fixed ranges as they fall more in line with the range of sensor outputs, so no need
'to autorange
VoltDiff(SR01Up,1,mV50,1,True,200,250,SR01Upca1,0)
VoltDiff(SR01Dn,1,mV50,2,True,200,250,SR01DownCa1,0)
VoltDiff(IR01Up,1,mV20,3,True,200,250,IR01Upca1,0)
VoltDiff(IR01Dn,1,mV20,4,True,200,250,IR01DownCa1,0)
'Note maximum sensor temperature with this excitation setting is just over +50 C.
Resistance (NR01TK,1,mV200,6,Ix1,1,1675,True ,True,200,250,1.0,0)

'Formulate the ratio Rs/R0
NR01TK=NR01TK/100
PRT(NR01TK,1,NR01TK,1,273.15)

'Compute Net short-wave radiation, Net long-wave radiation, Albedo and Net Radiation
NR01TC=NR01TK-273.15
NetRs=SR01Up-SR01Dn
NetRl=IR01Up-IR01Dn
Albedo=SR01Dn/SR01Up
UpTot=SR01Up+IR01Up
DnTot=SR01Dn+IR01Dn
NetTot=UpTot-DnTot
IR01UpCo=IR01Up+5.67*10^-8*NR01TK^4
IR01DnCo=IR01Dn+5.67*10^-8*NR01TK^4
'Call Data Tables and Store Data
CallTable(Hourly)
NextScan
EndProg

```

NOTE Proper entries for the input terminals will vary with program and input terminal usage.

A.3 CR3000 Program that Controls the Heater

This program applies power to the NR01 heater by using the SW12V relay controller and the pulse width modulation instruction (**PWM ()**).

The program uses dewpoint as a set point for the heater. The CR3000 calculates dewpoint by using the relative humidity (RH) measurements provided by the EE181 Temperature/Relative Humidity Probe. Enter 0 °C as the set point for the heater when a temperature/RH probe is not used.

The algorithm turns the heater on/off at 4 Hz. The duty cycle of the pulse is changed depending on how close the radiometer body temperature is to the dewpoint temperature. At or below the dewpoint, the duty cycle is 100%. It drops off linearly to 20% until the body temperature is 5 °C above the dewpoint. For body temperatures greater than 5 °C above the dewpoint, the duty cycle continues to drop linearly, but with a different slope, until 0% at 33 °C above the dewpoint. If necessary, the user can change the two duty-cycle slope transitions.

Wiring for this example program is provided in TABLE A-3.

TABLE A-3. Sensor Wiring for Heater Control Example Program						
NR01		SW12V		EE181 Wire Color	Description	CR3000
Cable 1¹ Wire Color	Cable 2² Wire Color	Wire Color	Terminal			
Red					Pyranometer Up Signal	1H
Blue					Pyranometer Up Reference	1L³
White					Pyranometer Down Signal	2H
Green					Pyranometer Down Reference	2L³
Brown					Pyrgeometer Up Signal	3H
Yellow					Pyrgeometer Up Reference	3L³
Pink/Purple					Pyrgeometer Down Signal	4H
Grey					Pyrgeometer Down Reference	4L³
Clear					Shield	⊥
	Red				Current Excitation	IX1
	Blue				Current Return	IXR
	White				PT100 Signal	6H
	Green				PT100 Signal Reference	6L
	Brown		SW12V		Heater Power	
	Yellow		GND		Heater Ground	
	Clear				Shield	⊥
		Red			SW12V Power	12V
		Black			SW12V Power Ground	G
		Green			SW12V Control	C4
				Yellow	Temperature signal	SE9
				Blue	Relative humidity signal	SE10
				Black	Signal reference	⊥
				Shield	Shield	⊥
				Red	Power	12V

¹ Ensure that it is cable 1 before connecting.
² Ensure that it is cable 2 before connecting.
³ Jumper to ⊥ with user supplied wire.

CRBasic Example A-3. CR3000 Program Measuring NR01 and Controlling Heater

```

'CR3000 Series Datalogger

PipeLineMode

'*** Constants ***

Const NR01_SHORT_DW_CAL = 1000/13.41 'Unique NR 01 shortwave downwelling multiplier (1000/13.5).
Const NR01_SHORT_UW_CAL = 1000/13.93 'Unique NR 01 shortwave upwelling multiplier (1000/13.5).
Const NR01_LONG_DW_CAL = 1000/8.8 'Unique NR 01 longwave downwelling multiplier (1000/10.5).
Const NR01_LONG_UW_CAL = 1000/9.4 'Unique NR 01 longwave upwelling multiplier (1000/10.3).

Const MAX_DUTY_CYCLE_1 = 1
Const MAX_DUTY_CYCLE_2 = 0.2
Const DELTA_SET_POINT_1 = 5
Const DELTA_SET_POINT_2 = 28
Const SLOPE_1 = (MAX_DUTY_CYCLE_2-MAX_DUTY_CYCLE_1)/DELTA_SET_POINT_1
Const SLOPE_2 = (-MAX_DUTY_CYCLE_2)/DELTA_SET_POINT_2

'*** Variables ***

Public no_heat_flag As Boolean 'Turn off heater control when TRUE.
Public panel_temp 'Data logger panel temperature.
Public batt_volt 'Data logger battery voltage.
Public hmp(2) 'Temperature and relative humidity.
Alias hmp(1) = t_hmp 'Temperature.
Alias hmp(2) = rh_hmp 'Relative humidity.
Public e_hmp 'Vapor pressure.
Public nr01(9) 'NR 01 net radiometer.
Alias nr01(1) = Rn
Alias nr01(2) = albedo
Alias nr01(3) = Rs_downwell
Alias nr01(4) = Rs_upwell
Alias nr01(5) = Rl_downwell
Alias nr01(6) = Rl_upwell
Alias nr01(7) = t_nr01
Alias nr01(8) = Rl_down_meas
Alias nr01(9) = Rl_up_meas
Units panel_temp = C
Units batt_volt = V
Units t_hmp = C
Units rh_hmp = percent
Units e_hmp = kPa
Units nr01 = W/m^2
Units albedo = unitless
Units t_nr01 = K

'Net radiometer heater control variables.
Public set_point_temperature
Public duty_cycle

'Working Variables
Dim scratch_out(3)
Alias scratch_out(1) = t_hmp_mean
Alias scratch_out(2) = e_hmp_mean
Alias scratch_out(3) = e_sat_hmp_mean
Dim rh_hmp_mean 'Mean relative humidity.
Dim t_dew_hmp_mean 'Mean dew point temperature.
Dim e_sat_hmp 'Saturation vapor pressure.
Units t_hmp_mean = C
Units e_hmp_mean = kPa
Units e_sat_hmp_mean = kPa
Units rh_hmp_mean = percent
Units t_dew_hmp_mean = C

DataTable (stats,TRUE,-1)
DataInterval (0,5,Min,10)

```

```

Sample (1,t_hmp_mean,IEEE4)
Sample (1,e_hmp_mean,IEEE4)
Sample (1,rh_hmp_mean,IEEE4)
Sample (1,t_dew_hmp_mean,IEEE4)
Sample (1,duty_cycle,IEEE4)
Average (9,Rn,IEEE4,FALSE)
EndTable

DataTable (scratch,TRUE,1)
TableHide
DataInterval (0,5,Min,10)

Average (1,t_hmp,IEEE4,FALSE)
Average (1,e_hmp,IEEE4,FALSE)
Average (1,e_sat_hmp,IEEE4,FALSE)
EndTable

BeginProg
Scan (1,Sec,0,0)
  'Control the net radiometer heater.
  PWM (duty_cycle,4,250,mSec)

  'Data logger panel temperature.
  PanelTemp (panel_temp,250)

  'Measure battery voltage.
  Battery (batt_volt)

  'Measure the EE181 temperature and relative humidity.
  VoltSE (t_hmp,1,mV1000C,9,TRUE,200,250,0.1,-40)
  VoltSE (rh_hmp,1,mV1000C,10,TRUE,200,250,0.1,0)

  'Measure NR 01 Net Radiometer.
  Resistance (t_nr01,1,mV200,10,Ix1,1,1675,TRUE,TRUE,200,250,1,0)
  VoltDiff (Rs_downwell,1,mV20C,11,TRUE,200,250,NR01_SHORT_DW_CAL,0)
  VoltDiff (Rs_upwell,1,mV20C,12,TRUE,200,250,NR01_SHORT_UW_CAL,0)
  VoltDiff (Rl_down_meas,1,mV20C,13,TRUE,200,250,NR01_LONG_DW_CAL,0)
  VoltDiff (Rl_up_meas,1,mV20C,14,TRUE,200,250,NR01_LONG_UW_CAL,0)

  'Find the EE181 vapor pressure and saturation vapor pressure (kPa).
  VaporPressure (e_hmp,t_hmp,rh_hmp)
  SatVP (e_sat_hmp,t_hmp)

  'Compute net radiation, albedo, downwelling and upwelling longwave radiation.
  t_nr01 = t_nr01/100
  PRT (t_nr01,1,t_nr01,1,273.15)

  Rn = Rs_downwell-Rs_upwell+Rl_down_meas-Rl_up_meas
  albedo = Rs_upwell/Rs_downwell
  Rl_downwell = Rl_down_meas+(5.67e-8*t_nr01*t_nr01*t_nr01*t_nr01)
  Rl_upwell = Rl_up_meas+(5.67e-8*t_nr01*t_nr01*t_nr01*t_nr01)

  CallTable (scratch)
  If ( scratch.Output(1,1) ) Then
    GetRecord (scratch_out(1),scratch,1)
    rh_hmp_mean = 100*e_hmp_mean/e_sat_hmp_mean
    DewPoint (t_dew_hmp_mean,t_hmp_mean,rh_hmp_mean)

    'Control the NR 01 heater by using 4 Hz pulse width modulation. Below the dew
    'point temperature applies 100% power. Above the dew point, power is reduced
    'linearly to 20% until the dew point plus DELTA_SET_POINT_1. After the dew
    'point plus DELTA_SET_POINT_1 and until the dew point plus
    'DELTA_SET_POINT_2 plus DELTA_SET_POINT_2, the power is reduced linearly to 0%.
    If ( (t_nr01 <> NaN) AND (t_dew_hmp_mean <> NaN) AND (no_heat_flag <> TRUE) ) Then
      set_point_temperature = t_dew_hmp_mean+273.15
      Select Case t_nr01
      Case Is < ( set_point_temperature )

```

```
duty_cycle = 1
Case Is < ( set_point_temperature+DELTA_SET_POINT_1 )
duty_cycle = MAX_DUTY_CYCLE_1+(t_nr01-(t_dew_hmp_mean+273.15))*SLOPE_1
Case Is < ( set_point_temperature+DELTA_SET_POINT_1+DELTA_SET_POINT_2 )
duty_cycle = MAX_DUTY_CYCLE_2+(t_nr01-(t_dew_hmp_mean+273.15+DELTA_SET_POINT_1))*SLOPE_2
Case Else
duty_cycle = 0.01
EndSelect
Else
duty_cycle = 0.01
EndIf
EndIf

CallTable (stats)
NextScan
EndProg
```

Appendix B. Cable Details

TABLE B-1 provides the polarity and PCB04 connection for Cable 1 (solar), and TABLE B-2 provides the polarity and PCB04 connection for Cable 2 (PT100). TABLE B-3 shows the internal connections to the terminal blocks, which should only be required for servicing such as cable replacement.

TABLE B-1. Cable 1 (Solar) Polarity and PCB04 Connection			
Color	Wire Label	Polarity¹	PCB04 Connection
Red	Pyranometer Up Sig	+	2
Blue	Pyranometer Up Ref	-	1
White	Pyranometer Down Sig	+	8
Green	Pyranometer Down Ref	-	7
Brown	Pyrgeometer Up Sig	+	4
Yellow	Pyrgeometer Up Ref	-	3
Pink/ Purple	Pyrgeometer Down Sig	+	6
Grey	Pyrgeometer Down Ref	-	5
Clear	Shield	Ground	11, 12

¹ The + connections of radiometers give + signal when radiation comes in.

TABLE B-2. Cable 2 (Temperature/Heater) Polarity and PCB04 Connection			
Color	Wire Label	Polarity	PCB05 Connection
Red ¹	Current Excite	+	2
Blue	Current Return	-	4
White ¹	PT100 Signal	+	3
Green	PT100 Signal Ref	-	5
Brown ²	Heater Power SW12V	+	1
Yellow ²	Heater Ground	-	6
Pink/Purple	Ground	GND	7
Grey	Shield	GND	8
Clear	Shield	Ground	9, 10

¹ The red and white end is at same side of the sensor (both +).
² The heater polarity are not critical.

TABLE B-3. Internal Electrical Diagram of the NR01 (for servicing purposes only)				
PCB04 Connection	PCB04 Terminal	PCB05 Connection	PCB05 Terminal	Polarity
3		8	Pyrgeometer UP	-
4		7	Pyrgeometer UP	+
5		12	Pyrgeometer DOWN	-
6		11	Pyrgeometer DOWN	+
13	Pyranometer UP			+
14	Pyranometer UP			-
9	Pyranometer DOWN			+
10	Pyranometer DOWN			-

Campbell Scientific Worldwide Offices

Australia

Location: Garbutt, QLD Australia
Email: info@campbellsci.com.au
Website: www.campbellsci.com.au

Brazil

Location: São Paulo, SP Brazil
Email: andread@campbellsci.com.br
Website: www.campbellsci.com.br

Canada

Location: Edmonton, AB Canada
Email: dataloggers@campbellsci.ca
Website: www.campbellsci.ca

China

Location: Beijing, P. R. China
Email: info@campbellsci.com.cn
Website: www.campbellsci.com.cn

Costa Rica

Location: San José, Costa Rica
Email: info@campbellsci.cc
Website: www.campbellsci.cc

France

Location: Antony, France
Email: info@campbellsci.fr
Website: www.campbellsci.fr

Germany

Location: Bremen, Germany
Email: info@campbellsci.de
Website: www.campbellsci.de

South Africa

Location: Stellenbosch, South Africa
Email: sales@csafrica.co.za
Website: www.campbellscientific.co.za

Southeast Asia

Location: Bangkok, Thailand
Email: info@campbellsci.asia
Website: www.campbellsci.asia

Spain

Location: Barcelona, Spain
Email: info@campbellsci.es
Website: www.campbellsci.es

UK

Location: Shepshed, Loughborough, UK
Email: sales@campbellsci.co.uk
Website: www.campbellsci.co.uk

USA

Location: Logan, UT USA
Email: info@campbellsci.com
Website: www.campbellsci.com

Please visit www.campbellsci.com/contact to obtain contact information for your local US or international representative.