



1

2

3

4

Document Number: DSP1007

Date: 2009-07-02

Version: 1.0.0

5 **SM CLP Admin Domain Profile**

6 **Document Type: Specification**

7 **Document Status: DMTF Standard**

8 **Document Language: E**

9

10 Copyright Notice

11 Copyright © 2006, 2009 Distributed Management Task Force, Inc. (DMTF). All rights reserved.

12 DMTF is a not-for-profit association of industry members dedicated to promoting enterprise and systems
13 management and interoperability. Members and non-members may reproduce DMTF specifications and
14 documents, provided that correct attribution is given. As DMTF specifications may be revised from time
15 to time, the particular version and release date should always be noted.

16 Implementation of certain elements of this standard or proposed standard may be subject to third party
17 patent rights, including provisional patent rights (herein "patent rights"). DMTF makes no representations
18 to users of the standard as to the existence of such rights, and is not responsible to recognize, disclose,
19 or identify any or all such third party patent right, owners or claimants, nor for any incomplete or
20 inaccurate identification or disclosure of such rights, owners or claimants. DMTF shall have no liability to
21 any party, in any manner or circumstance, under any legal theory whatsoever, for failure to recognize,
22 disclose, or identify any such third party patent rights, or for such party's reliance on the standard or
23 incorporation thereof in its product, protocols or testing procedures. DMTF shall have no liability to any
24 party implementing such standard, whether such implementation is foreseeable or not, nor to any patent
25 owner or claimant, and shall have no liability or responsibility for costs or losses incurred if a standard is
26 withdrawn or modified after publication, and shall be indemnified and held harmless by any party
27 implementing the standard from any and all claims of infringement by a patent owner for such
28 implementations.

29 For information about patents held by third-parties which have notified the DMTF that, in their opinion,
30 such patent may relate to or impact implementations of DMTF standards, visit
31 <http://www.dmtf.org/about/policies/disclosures.php>.

CONTENTS

33 Foreword 5

34 Introduction 6

35 1 Scope 7

36 2 Normative References..... 7

37 2.1 Approved References 7

38 2.2 Other References..... 7

39 3 Terms and Definitions 8

40 4 Symbols and Abbreviated Terms 9

41 5 Synopsis 9

42 6 Description 10

43 7 Implementation Requirements 11

44 7.1 Management Domain..... 11

45 7.2 Hardware Collection..... 11

46 7.3 Aggregating ComputerSystem Instances That Are Compliant with the Base Server
47 Profile 12

48 7.4 Aggregating ComputerSystem Instances That Are Compliant with the Service Processor
49 Profile 12

50 7.5 Aggregating ComputerSystem Instances That Are Compliant with the Modular System
51 Profile 13

52 8 Methods..... 13

53 8.1 Profile Conventions for Operations 13

54 8.2 CIM_AdminDomain 13

55 8.3 CIM_ConcreteCollection 14

56 8.4 CIM_MemberOfCollection 14

57 8.5 CIM_OwningCollectionElement 14

58 8.6 CIM_SystemComponent..... 14

59 9 Use Cases 15

60 9.1 Object Diagrams 15

61 9.2 Finding All of the ComputerSystem Instances Being Managed 17

62 9.3 Finding All of the Hardware Being Managed 17

63 10 CIM Elements 18

64 10.1 CIM_AdminDomain 18

65 10.2 CIM_ConcreteCollection 18

66 10.3 CIM_MemberOfCollection 19

67 10.4 CIM_OwningCollectionElement 19

68 10.5 CIM_RegisteredProfile..... 19

69 10.6 CIM_SystemComponent–Base Server Profile 20

70 10.7 CIM_SystemComponent–Service Processor Profile 20

71 10.8 CIM_SystemComponent–Modular System Profile 20

72 ANNEX A (informative) Change Log..... 21

73 Bibliography 22

75 **Figures**

76	Figure 1 – SM CLP Admin Domain Profile: Class Diagram.....	10
77	Figure 2 – Registered Profile	15
78	Figure 3 – Hardware Collection	16
79	Figure 4 – Object Diagram before Algorithm in 7.2.1 Is Applied.....	17
80		

81 **Tables**

82	Table 1 – Referenced Profiles	10
83	Table 2 – Operations: CIM_MemberOfCollection.....	14
84	Table 3 – Operations: CIM_OwningCollectionElement	14
85	Table 4 – Operations: CIM_SystemComponent	14
86	Table 5 – CIM Elements: SM CLP Admin Domain Profile	18
87	Table 6 – Class: CIM_AdminDomain.....	18
88	Table 7 – Class: CIM_ConcreteCollection	18
89	Table 8 – Class: CIM_MemberOfCollection.....	19
90	Table 9 – Class: CIM_OwningCollectionElement	19
91	Table 10 – Class: CIM_RegisteredProfile.....	19
92	Table 11 – Class: CIM_SystemComponent.....	20
93	Table 12 – Class: CIM_SystemComponent.....	20
94	Table 13 – Class: CIM_SystemComponent.....	20

95

96

Foreword

97 The *SM CLP Admin Domain Profile* (DSP1007) was prepared by the Server Management Working Group
98 and the Physical Platform Profiles Working Group of the DMTF.

99 DMTF is a not-for-profit association of industry members dedicated to promoting enterprise and systems
100 management and interoperability.

101

102 **Acknowledgments**

103 The authors wish to acknowledge the following people.

104 **Editors:**

- 105 • Aaron Merkin – IBM
- 106 • Jeff Hilland – HP

107 **Contributors:**

- 108 • Jon Hass – Dell
- 109 • Khachatur Papanyan – Dell
- 110 • Enoch Suen – Dell
- 111 • Jeff Hilland – HP
- 112 • Christina Shaw – HP
- 113 • Aaron Merkin – IBM
- 114 • Perry Vincent – Intel
- 115 • John Leung – Intel

116

117

118

Introduction

119 The information in this specification should be sufficient for a provider or consumer of this data to identify
120 unambiguously the classes, properties, methods, and values that shall be instantiated and manipulated to
121 represent collections of select managed elements and the management domain for use when
122 implementing the [Server Management Command Line Protocol \(SM CLP\) Specification](#), [Server](#)
123 [Management Managed Element Addressing Specification \(SM ME\)](#), or both. The target audience for this
124 specification is implementers who are writing CIM-based providers or consumers of management
125 interfaces that represent the component described in this document.

126

SM CLP Admin Domain Profile

127 1 Scope

128 The *SM CLP Admin Domain Profile* extends the management capability of referencing profiles by adding
129 the capability to represent the management domain of the CLP and the collection of hardware being
130 managed.

131 2 Normative References

132 The following referenced documents are indispensable for the application of this document. For dated
133 references, only the edition cited applies. For undated references, the latest edition of the referenced
134 document (including any amendments) applies.

135 2.1 Approved References

136 DMTF DSP0004, *CIM Infrastructure Specification 2.5*,
137 http://www.dmtf.org/standards/published_documents/DSP0004_2.5.pdf

138 DMTF DSP0200, *CIM Operations over HTTP 1.3*,
139 http://www.dmtf.org/standards/published_documents/DSP0200_1.3.pdf

140 DMTF DSP0215, *Server Management Managed Element Addressing Specification 1.0*,
141 http://www.dmtf.org/standards/published_documents/DSP0215_1.0.pdf

142 DMTF DSP1001, *Management Profile Specification Usage Guide 1.0*,
143 http://www.dmtf.org/standards/published_documents/DSP1001_1.0.pdf

144 DMTF DSP1004, *Base Server Profile 1.0*,
145 http://www.dmtf.org/standards/published_documents/DSP1004_1.0.pdf

146 DMTF DSP1008, *Modular System Profile 1.0*,
147 http://www.dmtf.org/standards/published_documents/DSP1008_1.0.pdf

148 DMTF DSP1011, *Physical Asset Profile 1.0*,
149 http://www.dmtf.org/standards/published_documents/DSP1011_1.0.pdf

150 DMTF DSP1018, *Service Processor Profile 1.0*,
151 http://www.dmtf.org/standards/published_documents/DSP1018_1.0.pdf

152 DMTF DSP1026, *System Memory Profile 1.0*,
153 http://www.dmtf.org/standards/published_documents/DSP1026_1.0.pdf

154 DMTF DSP1033, *Profile Registration Profile 1.0*,
155 http://www.dmtf.org/standards/published_documents/DSP1033_1.0.pdf

156 2.2 Other References

157 ISO/IEC Directives, Part 2, *Rules for the structure and drafting of International Standards*,
158 <http://isotc.iso.org/livelink/livelink.exe?func=ll&objId=4230456&objAction=browse&sort=subtype>

159 **3 Terms and Definitions**

160 For the purposes of this document, the following terms and definitions apply.

161 **3.1**

162 **can**

163 used for statements of possibility and capability, whether material, physical, or causal

164 **3.2**

165 **cannot**

166 used for statements of possibility and capability, whether material, physical, or causal

167 **3.3**

168 **conditional**

169 indicates requirements to be followed strictly in order to conform to the document when the specified
170 conditions are met

171 **3.4**

172 **Hardware Collection**

173 CIM_ConcreteCollection instance for CIM_PhysicalElement instances

174 **3.5**

175 **mandatory**

176 indicates requirements to be followed strictly in order to conform to the document and from which no
177 deviation is permitted

178 **3.6**

179 **may**

180 indicates a course of action permissible within the limits of the document

181 **3.7**

182 **need not**

183 indicates a course of action permissible within the limits of the document

184 **3.8**

185 **optional**

186 indicates a course of action permissible within the limits of the document

187 **3.9**

188 **referencing profile**

189 indicates a profile that owns the definition of this class and can include a reference to this profile in its
190 "Referenced Profiles" table

191 **3.10**

192 **shall**

193 indicates requirements to be followed strictly in order to conform to the document and from which no
194 deviation is permitted

195 **3.11**

196 **shall not**

197 indicates requirements to be followed strictly in order to conform to the document and from which no
198 deviation is permitted

199 **3.12**
 200 **should**
 201 indicates that among several possibilities, one is recommended as particularly suitable, without
 202 mentioning or excluding others, or that a certain course of action is preferred but not necessarily required

203 **3.13**
 204 **should not**
 205 indicates that a certain possibility or course of action is deprecated but not prohibited

206 **4 Symbols and Abbreviated Terms**

207 The following symbols and abbreviations are used in this document.

208 **4.1**
 209 **CIM**
 210 Common Information Model

211 **4.2**
 212 **SM CLP**
 213 Server Management Command Line Protocol

214 **4.3**
 215 **SM ME**
 216 Server Management Managed Element

217 **5 Synopsis**

218 **Profile Name:** SM CLP Admin Domain
 219 **Version:** 1.0.0
 220 **Organization:** DMTF
 221 **CIM Schema Version:** 2.22
 222 **Central Class:** CIM_AdminDomain
 223 **Scoping Class:** CIM_AdminDomain

224 The *SM CLP Admin Domain Profile* extends the management capability of referencing profiles by adding
 225 the capability to represent the management domain of the CLP and the collection of hardware being
 226 managed.

227 The Central Class for the *SM CLP Admin Domain Profile* shall be the CIM_AdminDomain class. The
 228 instance of CIM_AdminDomain shall be the Central Instance of the *SM CLP Admin Domain Profile*. The
 229 *SM CLP Admin Domain Profile* is an autonomous profile. The Scoping Instance for the *SM CLP Admin*
 230 *Domain Profile* shall be the Central Instance.

231 Table 1 identifies profiles on which this profile has a dependency.

232

Table 1 – Referenced Profiles

Profile Name	Organization	Version	Relationship	Behavior
Base Server	DMTF	1.0	Optional	See 7.3.
Service Processor	DMTF	1.0	Optional	See 7.4.
Modular System	DMTF	1.0	Optional	See 7.5.
Profile Registration	DMTF	1.0	Mandatory	
Physical Asset	DMTF	1.0	Optional	See 7.2.

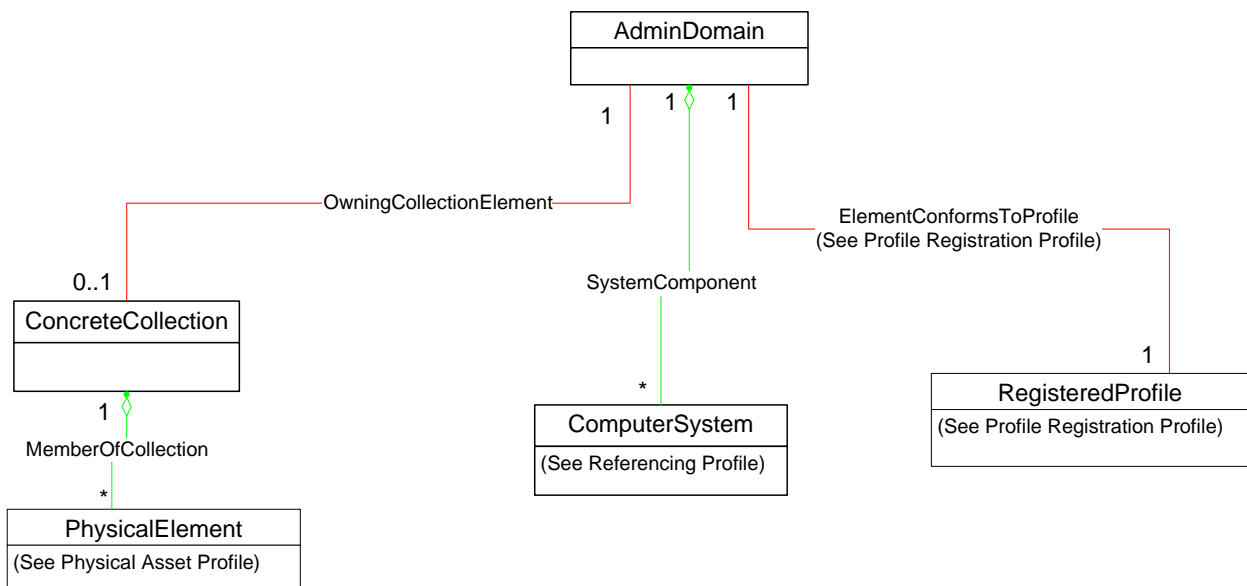
233 **6 Description**

234 The *SM CLP Admin Domain Profile* describes CIM_AdminDomain, CIM_ConcreteCollection, and the
 235 associations that scope Managed Elements to them.

236 Figure 1 represents the class schema for the *SM CLP Admin Domain Profile*. The *SM CLP Admin*
 237 *Domain Profile* defines the Hardware Collection (an instance of CIM_ConcreteCollection) and the
 238 instance of CIM_AdminDomain that represents the management domain of a CLP service.

239 Each CIM_ComputerSystem instance that is compliant with a related autonomous profile is associated
 240 with the CIM_AdminDomain instance through an instance of the CIM_SystemComponent association.

241 The Hardware Collection aggregates instances of CIM_PhysicalElement by using the
 242 CIM_MemberOfCollection association. Instances of CIM_PhysicalElement and related associations can
 243 be used to create a containment hierarchy such that any physical element will be contained in zero or one
 244 other physical elements. The *SM CLP Admin Domain Profile* leverages this containment hierarchy to
 245 ensure that exactly one association path exists from the Hardware Collection to each instance of
 246 CIM_PhysicalElement.



247

248

Figure 1 – SM CLP Admin Domain Profile: Class Diagram

249 7 Implementation Requirements

250 This section details the requirements related to the arrangement of instances and properties of instances
251 for implementations of this profile.

252 7.1 Management Domain

253 Exactly one instance of CIM_AdminDomain shall be associated through CIM_ElementConformsToProfile
254 with the instance of CIM_RegisteredProfile that is defined in section 10.5. This instance of
255 CIM_AdminDomain represents the management domain of a CLP service.

256 7.2 Hardware Collection

257 One instance of CIM_ConcreteCollection may be associated with the CIM_AdminDomain instance
258 through CIM_OwningCollectionElement, where the CIM_ConcreteCollection.ElementName property has
259 the value "Hardware". This is the Hardware Collection and serves as the aggregation point for instances
260 of CIM_PhysicalElement. The [Physical Asset Profile](#) may be instrumented as optional behavior of other
261 component or autonomous profiles. The physical model is not instrumented in the *SM CLP Admin*
262 *Domain Profile*.

263 7.2.1 Creating CIM_MemberOfCollection Instances

264 The intention of the algorithm below is to select the outermost or top-level instrumented
265 CIM_PhysicalElement such that a containment path exists from the hardware collection to every
266 instrumented CIM_PhysicalElement. The algorithm starts on the logical side of the model and crosses
267 over to the physical side to determine the instances of CIM_PhysicalElement for which an association
268 path needs to be established. It then traverses up (or out) the CIM_Container and
269 CIM_PackageInConnector associations until the outermost package is reached.

270 In the following algorithm, CIM_PhysicalPackage means CIM_PhysicalPackage or any sub-class of
271 CIM_PhysicalPackage, CIM_PhysicalElement means a sub-class of CIM_PhysicalElement. The keyword
272 "select" indicates that identified instance of CIM_PhysicalElement or CIM_PhysicalPackage is used in the
273 next step in the algorithm.

274 The following algorithm shall be used for creating instances of CIM_MemberOfCollection that reference
275 the Hardware Collection and an instance of CIM_PhysicalElement. Steps 1, 2, and 3 are used to
276 determine instances of CIM_PhysicalElement or CIM_PhysicalPackage for which an association path
277 needs to be created from the Hardware Collection. For each CIM_PhysicalElement or
278 CIM_PhysicalPackage, the algorithm terminates when a CIM_MemberOfCollection is created.

279 1. For each instance of CIM_ComputerSystem that is associated with the Central Instance through an
280 instance of CIM_SystemComponent, where the CIM_ComputerSystem instance is the
281 PartComponent reference, select each instance of CIM_PhysicalPackage that is associated with the
282 CIM_ComputerSystem instance through an instance of the CIM_ComputerSystemPackage
283 association

284 1.1 If the CIM_PhysicalPackage instance is the PartComponent reference in an instance of
285 CIM_Container or is the Dependent reference in an instance of CIM_PackageInConnector ,

286 1.1.1 If the GroupComponent or Antecedent reference of the association is an instance of
287 CIM_PhysicalPackage, select the CIM_PhysicalPackage instance that is the value of
288 the GroupComponent or Antecedent reference and go to 1.1.

289 1.1.2 Else the GroupComponent or Antecedent reference of the association is to an instance
290 of CIM_PhysicalElement. Select the CIM_PhysicalElement.

- 291 1.1.2.1 If the CIM_PhysicalElement is the PartComponent reference in the
292 CIM_Container association, select the CIM_PhysicalPackage that is the
293 value of the GroupComponent reference and go to 1.1.
- 294 1.1.2.2 Else the CIM_PhysicalElement is not the PartComponent reference in a
295 CIM_Container association, and there shall be an instance of
296 CIM_MemberOfCollection that references the Hardware Collection and the
297 instance of CIM_PhysicalElement.
- 298 1.2 Else the CIM_PhysicalPackage instance is not the PartComponent reference in an instance of
299 CIM_Container or the Dependent reference in an instance of CIM_PackageInConnector. There
300 shall be an instance of CIM_MemberOfCollection that references the CIM_PhysicalPackage
301 instance and the Hardware Collection.
- 302 2. For each instance of CIM_LogicalDevice that is associated through an instance of
303 CIM_SystemDevice with a CIM_ComputerSystem instance that is associated through the
304 CIM_SystemComponent association with the Central Instance, select each instance of
305 CIM_PhysicalPackage that is associated with the CIM_LogicalDevice instance through
306 CIM_Realizes and go to 1.1.
- 307 3. For each instance of CIM_LogicalDevice that is associated through an instance of
308 CIM_SystemDevice with a CIM_ComputerSystem instance that is associated through the
309 CIM_SystemComponent association with the Central Instance, select each instance of
310 CIM_PhysicalElement that is associated with the CIM_LogicalDevice instance through
311 CIM_Realizes and go to 1.1.2.1.

312 **7.3 Aggregating ComputerSystem Instances That Are Compliant with the Base** 313 **Server Profile**

314 When the [Base Server Profile](#) is implemented, the following rules apply.

315 **7.3.1 Relationship between ComputerSystem and AdminDomain**

316 An instance of CIM_SystemComponent shall associate the Central Instance of the [Base Server Profile](#)
317 with the CIM_AdminDomain instance.

318 **7.3.1.1 CIM_SystemComponent.GroupComponent**

319 The CIM_AdminDomain instance shall be the value of the GroupComponent property of the
320 CIM_SystemComponent instance.

321 **7.3.1.2 CIM_SystemComponent.PartComponent**

322 The CIM_ComputerSystem instance shall be the value of the PartComponent property of the
323 CIM_SystemComponent instance.

324 **7.4 Aggregating ComputerSystem Instances That Are Compliant with the** 325 **Service Processor Profile**

326 When the [Service Processor Profile](#) is implemented, the following rules apply.

327 **7.4.1 Relationship between ComputerSystem and AdminDomain**

328 An instance of CIM_SystemComponent shall associate the Central Instance of the [Service Processor](#)
329 [Profile](#) with the CIM_AdminDomain instance.

330 7.4.1.1 CIM_SystemComponent.GroupComponent

331 The CIM_AdminDomain instance shall be the value of the GroupComponent property of the
332 CIM_SystemComponent instance.

333 7.4.1.2 CIM_SystemComponent.PartComponent

334 The CIM_ComputerSystem instance shall be the value of the PartComponent property of the
335 CIM_SystemComponent instance.

336 7.5 Aggregating ComputerSystem Instances That Are Compliant with the 337 Modular System Profile

338 When the [Modular System Profile](#) is implemented, the following rules apply.

339 7.5.1 Relationship between ComputerSystem and AdminDomain

340 An instance of CIM_SystemComponent shall associate the Central Instance of the [Modular System
341 Profile](#) with the CIM_AdminDomain instance.

342 7.5.1.1 CIM_SystemComponent.GroupComponent

343 The CIM_AdminDomain instance shall be the value of the GroupComponent property of the
344 CIM_SystemComponent instance.

345 7.5.1.2 CIM_SystemComponent.PartComponent

346 The CIM_ComputerSystem instance shall be the value of the PartComponent property of the
347 CIM_SystemComponent instance.

348 8 Methods

349 No methods are defined in this profile.

350 8.1 Profile Conventions for Operations

351 For each profile class (including associations), the implementation requirements for operations, including
352 those in the following default list, are specified in class-specific subclauses of this clause.

353 The default list of operations is as follows:

- 354 • GetInstance
- 355 • Associators
- 356 • AssociatorNames
- 357 • References
- 358 • ReferenceNames
- 359 • EnumerateInstances
- 360 • EnumerateInstanceNames

361 8.2 CIM_AdminDomain

362 All operations in the default list in 8.1 shall be implemented as defined in [DSP0200](#).

363 NOTE: Related profiles may define additional requirements on operations for the profile class.

364 8.3 CIM_ConcreteCollection

365 All operations in the default list in 8.1 shall be implemented as defined in [DSP0200](#).

366 NOTE: Related profiles may define additional requirements on operations for the profile class.

367 8.4 CIM_MemberOfCollection

368 Table 2 lists implementation requirements for operations. If implemented, these operations shall be
 369 implemented as defined in [DSP0200](#). In addition, and unless otherwise stated in Table 2, all operations in
 370 the default list in 8.1 shall be implemented as defined in [DSP0200](#).

371 NOTE: Related profiles may define additional requirements on operations for the profile class.

372 **Table 2 – Operations: CIM_MemberOfCollection**

Operation	Requirement	Messages
Associators	Unspecified	None
AssociatorNames	Unspecified	None
References	Unspecified	None
ReferenceNames	Unspecified	None

373 8.5 CIM_OwningCollectionElement

374 Table 3 lists implementation requirements for operations. If implemented, these operations shall be
 375 implemented as defined in [DSP0200](#). In addition, and unless otherwise stated in Table 3, all operations in
 376 the default list in 8.1 shall be implemented as defined in [DSP0200](#).

377 NOTE: Related profiles may define additional requirements on operations for the profile class.

378 **Table 3 – Operations: CIM_OwningCollectionElement**

Operation	Requirement	Messages
Associators	Unspecified	None
AssociatorNames	Unspecified	None
References	Unspecified	None
ReferenceNames	Unspecified	None

379 8.6 CIM_SystemComponent

380 Table 4 lists implementation requirements for operations. If implemented, these operations shall be
 381 implemented as defined in [DSP0200](#). In addition, and unless otherwise stated in Table 4, all operations in
 382 the default list in 8.1 shall be implemented as defined in [DSP0200](#).

383 NOTE: Related profiles may define additional requirements on operations for the profile class.

384 **Table 4 – Operations: CIM_SystemComponent**

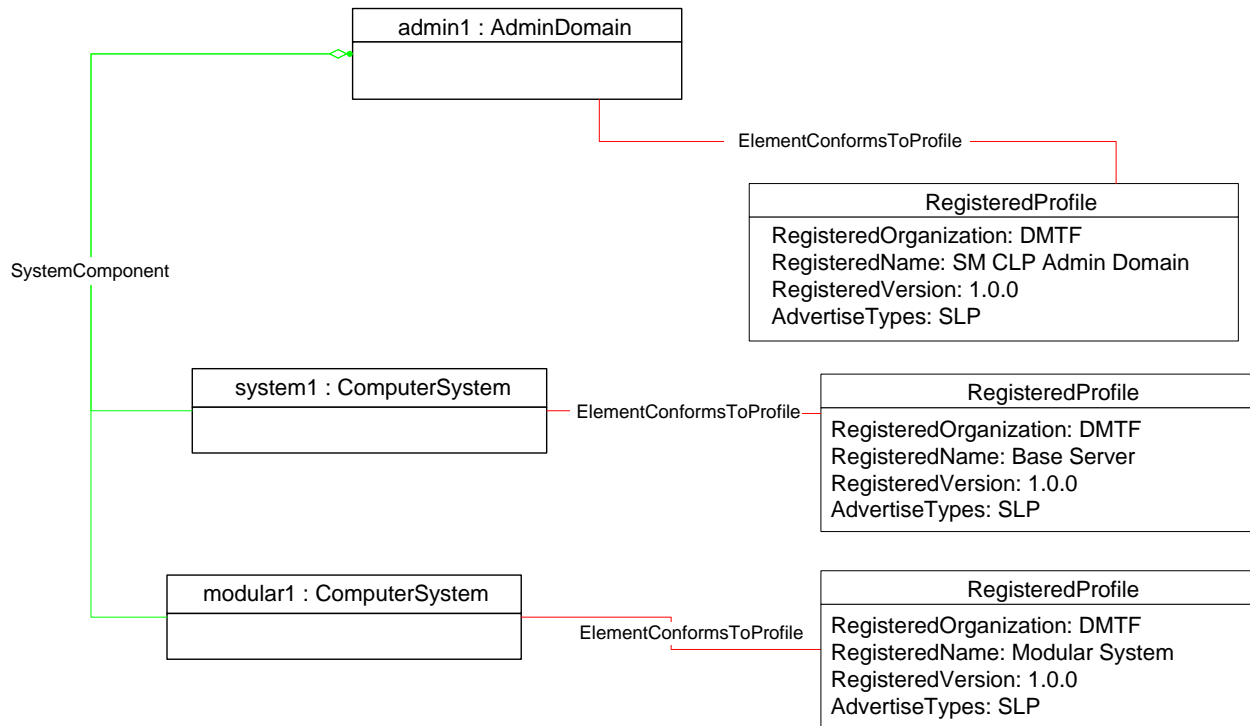
Operation	Requirement	Messages
Associators	Unspecified	None
AssociatorNames	Unspecified	None
References	Unspecified	None
ReferenceNames	Unspecified	None

385 **9 Use Cases**

386 This section contains object diagrams and use cases for the *SM CLP Admin Domain Profile*.

387 **9.1 Object Diagrams**

388 The object diagram in Figure 2 shows how instances of CIM_RegisteredProfile are used to identify the
 389 version of the *SM CLP Admin Domain Profile* with which the instance of CIM_AdminDomain and its
 390 associated instances are conformant. An instance of CIM_RegisteredProfile exists for the *SM CLP Admin*
 391 *Domain Profile*. Additional instances of CIM_RegisteredProfile identify autonomous profiles that contain
 392 CIM_ComputerSystem instances that are scoped to the CIM_AdminDomain instance.

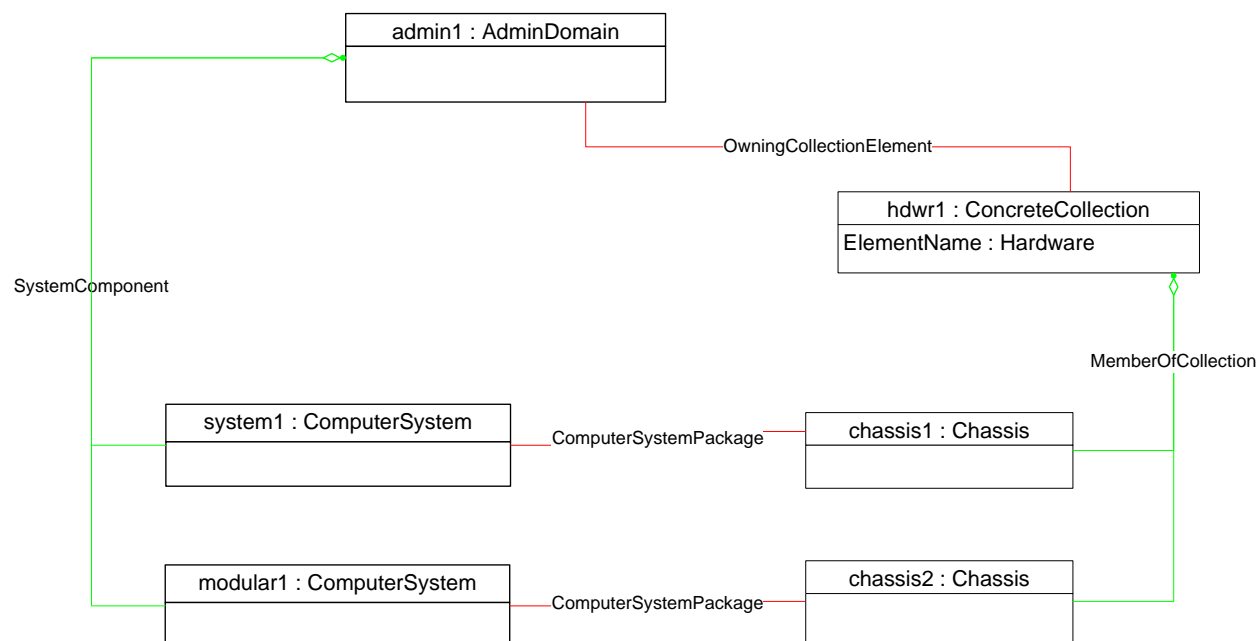


393

394

Figure 2 – Registered Profile

395 Figure 3 is an object diagram that shows implementations of autonomous profiles in which the [Physical](#)
 396 [Asset Profile](#) is implemented and there are associated CIM_PhysicalPackage instances. (CIM_Chassis is
 397 a subclass of CIM_PhysicalPackage.)



398

399

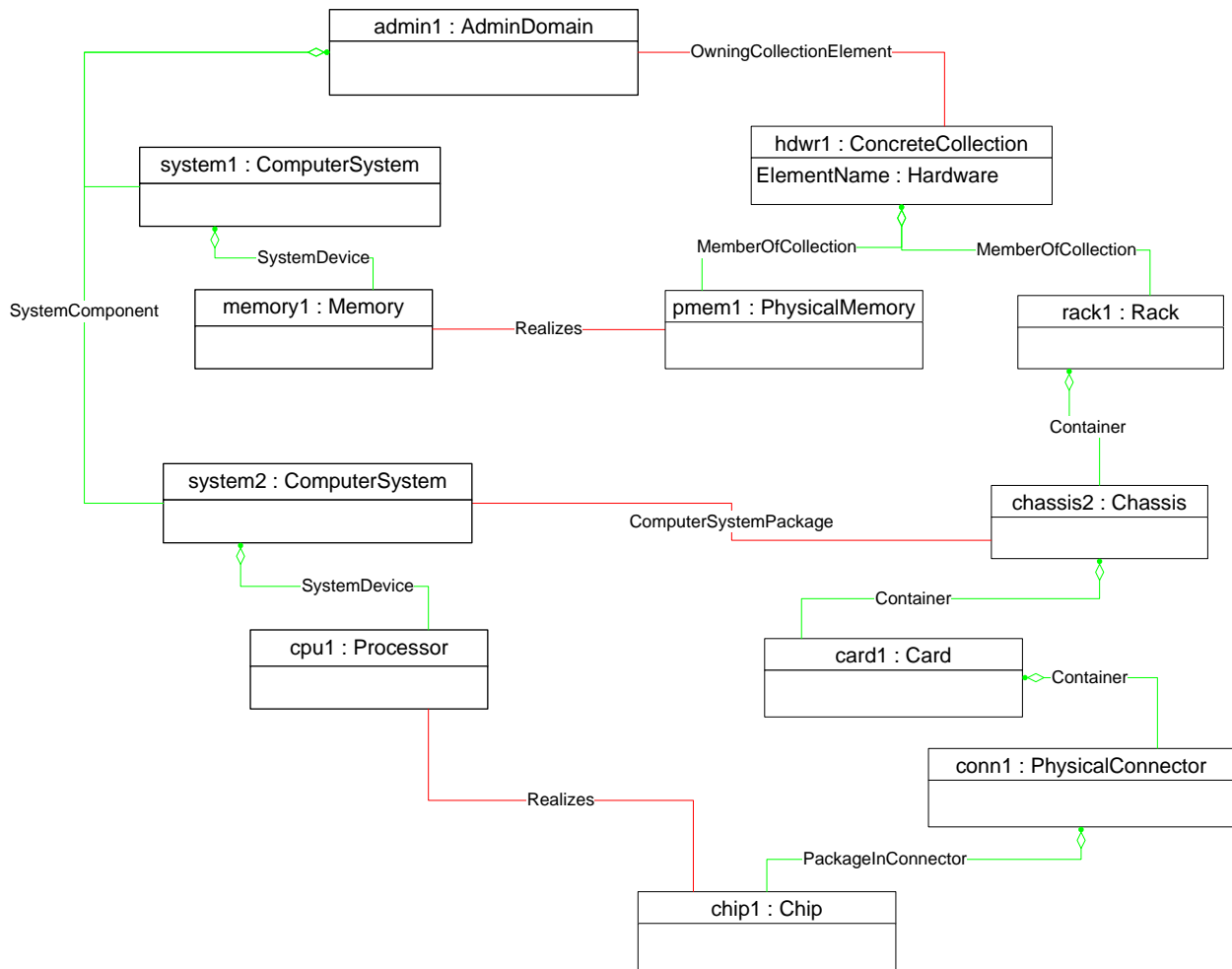
Figure 3 – Hardware Collection

400 In the object diagram in Figure 4, the instrumentation for System1 has not included the [Physical Asset](#)
 401 [Profile](#). However, the instrumentation of the component [System Memory Profile](#) has provided the [Physical](#)
 402 [Asset Profile](#). Applying step 2 of the algorithm in section 7.2.1 to `memory1` causes the selection of `pmem1`.
 403 `pmem1` fails the test in step 1.1. Going to step 1.2, the instrumentation creates an instance of
 404 CIM_MemberOfCollection that references `pmem1` and `hdwr1`. In this case, there is no scoping
 405 CIM_PhysicalElement for the `pmem1`, and it is directly associated through CIM_MemberOfCollection to
 406 the Hardware Collection.

407 `system2` illustrates a different possibility. Here the instrumentation not only includes the
 408 CIM_PhysicalPackage for the system itself (`chassis2`), it is capable of modeling the rack in which the
 409 system is installed (`rack1`). It also includes physical asset information for a single installed processor. As
 410 `chassis2` is contained in `rack1`, `chassis2` is not associated with the Hardware Collection. Instead, `rack1` is
 411 associated with the Hardware Collection.

412 Applying the algorithm in section 7.2.1 to `system2`, step 1 in the algorithm causes us to select
 413 `chassis2`. `chassis2` satisfies the test in step 1.1, falling through to step 1.1.1. `chassis2` satisfies the
 414 test in step 1.1.1, causing the selection of `rack1`. `rack1` does not satisfy the test in step 1.1. Proceeding
 415 to step 1.2, the instrumentation creates an instance of CIM_MemberOfCollection that references `rack1`
 416 and `hdwr1`.

417 Applying the algorithm in section 7.2.1 to `system2` a second time, step 2 in the algorithm causes us to
 418 select `chip1`. `chip1` satisfies the condition in step 1.1. Proceeding to step 1.1.1, the condition is not
 419 satisfied and the algorithm proceeds to step 1.1.2, causing the selection of `conn1`. The algorithm then
 420 proceeds to step 1.1.2.1 where the condition is satisfied, causing the selection of `card1`. Proceeding to
 421 step 1.1, the condition is satisfied and the algorithm proceeds to step 1.1.1. The condition here is
 422 satisfied, causing the selection of `chassis1`. From this point, the algorithm proceeds as outlined in the
 423 paragraph above.



424

425

426

Figure 4 – Object Diagram before Algorithm in 7.2.1 Is Applied

427 9.2 Finding All of the ComputerSystem Instances Being Managed

428 A client can find all of the ComputerSystem instances being managed as follows:

- 429 1) Find the instance of CIM_AdminDomain.
 430 2) Find all instances of CIM_ComputerSystem that are associated with the CIM_AdminDomain
 431 instance through instances of CIM_SystemComponent.

432 9.3 Finding All of the Hardware Being Managed

433 A client can find all of the hardware being managed as follows:

- 434 1) Find the instance of CIM_ConcreteCollection that is associated with the CIM_AdminDomain
 435 instance through an instance of CIM_OwningCollectionElement, where the ElementName
 436 property of the CIM_ConcreteCollection instance has a value of "Hardware".
 437 2) Find all instances of CIM_PhysicalElement that are associated with the CIM_ConcreteCollection
 438 instance through instances of CIM_MemberOfCollection.

439 **10 CIM Elements**

440 Table 5 shows the instances of CIM Elements for this profile. Instances of the CIM Elements shall be
 441 implemented as described in Table 5. Section 7 may impose additional requirements on these elements.

442 **Table 5 – CIM Elements: SM CLP Admin Domain Profile**

Element Name	Requirement	Notes
Classes		
CIM_AdminDomain	Mandatory	See section 10.1.
CIM_ConcreteCollection	Mandatory	See section 10.2.
CIM_MemberOfCollection	Optional	See section 10.3.
CIM_OwningCollectionElement	Mandatory	See section 10.4.
CIM_RegisteredProfile	Mandatory	See section 10.5.
CIM_SystemComponent	Conditional	See sections 10.6, 10.7, and 10.8.
Indications		
None defined in this profile		

443 **10.1 CIM_AdminDomain**

444 CIM_AdminDomain is the point of aggregation for the Managed Elements being managed by a CLP
 445 Service.

446 **Table 6 – Class: CIM_AdminDomain**

Properties	Requirement	Notes
CreationClassName	Mandatory	None
Name	Mandatory	None
ElementName	Optional	Matches "SM CLP Admin Domain"

447 **10.2 CIM_ConcreteCollection**

448 CIM_ConcreteCollection instances are used to aggregate instances of CIM_PhysicalElement.

449 **Table 7 – Class: CIM_ConcreteCollection**

Properties	Requirement	Notes
InstanceID	Mandatory	None
ElementName	Mandatory	See section 7.2.

450 **10.3 CIM_MemberOfCollection**

451 CIM_MemberOfCollection is used to associate CIM_PhysicalElement instances with the Hardware
452 Collection.

453 **Table 8 – Class: CIM_MemberOfCollection**

Properties	Requirement	Notes
GroupComponent	Mandatory	The value of this property shall a reference to the Hardware Collection. Cardinality 1
PartComponent	Mandatory	See section 7.2.1. Cardinality *

454 **10.4 CIM_OwningCollectionElement**

455 CIM_OwningCollectionElement is used to associate a CIM_ConcreteCollection instance with its scoping
456 CIM_System instance.

457 **Table 9 – Class: CIM_OwningCollectionElement**

Properties	Requirement	Notes
OwningElement	Mandatory	The value of this property shall be the scoping instance of this profile. Cardinality 1
OwnedElement	Mandatory	The value of this property shall be the instance of CIM_ConcreteCollection. Cardinality 0..1

458 **10.5 CIM_RegisteredProfile**

459 CIM_RegisteredProfile identifies the *SM CLP Admin Domain Profile* in order for a client to determine
460 whether an instance of CIM_LogicalModule is conformant with this profile. The CIM_RegisteredProfile
461 class is defined by the [Profile Registration Profile](#). With the exception of the mandatory values specified
462 for the properties in Table 10, the behavior of the CIM_RegisteredProfile instance is defined by the [Profile](#)
463 [Registration Profile](#).

464 **Table 10 – Class: CIM_RegisteredProfile**

Properties	Requirement	Notes
RegisteredName	Mandatory	Matches "SM CLP Admin Domain"
RegisteredVersion	Mandatory	Matches "1.0.0"
RegisteredOrganization	Mandatory	Matches 2 (DMTF)

465 NOTE: Previous versions of this document included the suffix "Profile" for the RegisteredName value. If
466 implementations querying for the RegisteredName value find the suffix "Profile", they should ignore the suffix, with
467 any surrounding white spaces, before any comparison is done with the value as specified in this document.

468 10.6 CIM_SystemComponent–Base Server Profile

469 If the Computer System Profile is implemented, the CIM_SystemComponent shall be used to aggregate
 470 CIM_ComputerSystem instances that are compliant with the Base Server Profile into the
 471 CIM_AdminDomain instance. See section 7.3.

472 **Table 11 – Class: CIM_SystemComponent**

Properties	Requirement	Notes
GroupComponent	Mandatory	The value of this property shall be the Central Instance. Cardinality 1
PartComponent	Mandatory	See section 7.3.1.2. Cardinality *

473 10.7 CIM_SystemComponent–Service Processor Profile

474 CIM_SystemComponent is used to aggregate CIM_ComputerSystem instances that are compliant with
 475 the [Service Processor Profile](#) into the CIM_AdminDomain instance. See section 7.4.

476 **Table 12 – Class: CIM_SystemComponent**

Properties	Requirement	Notes
GroupComponent	Mandatory	The value of this property shall be the Central Instance. Cardinality 1
PartComponent	Mandatory	See section 7.4.1.2. Cardinality *

477 10.8 CIM_SystemComponent–Modular System Profile

478 CIM_SystemComponent is used to aggregate CIM_ComputerSystem instances that are compliant with
 479 the [Modular System Profile](#) into the CIM_AdminDomain instance. See section 7.5.

480 **Table 13 – Class: CIM_SystemComponent**

Properties	Requirement	Notes
GroupComponent	Mandatory	The value of this property shall be the Central Instance. Cardinality 1
PartComponent	Mandatory	See section 7.5.1.2. Cardinality *

481
482
483
484

ANNEX A (informative)

Change Log

Version	Date	Description
1.0.0	2009-07-02	DMTF Standard Release

486

Bibliography

487 DMTF DSP0214, *Server Management Command Line Protocol (SM CLP) Specification 1.0*,
488 http://www.dmtf.org/standards/published_documents/DSP0214.pdf