

ENCLOSURE 1:

**UNITED STATES MILITARY ACADEMY
SELF-ASSESSMENT**





OFFICE OF THE SUPERINTENDENT
UNITED STATES MILITARY ACADEMY
WEST POINT, NEW YORK 10996-5000

MASP

OCT 17 2012

MEMORANDUM THRU DEPARTMENT OF THE ARMY, DEPUTY ASSISTANT SECRETARY OF
THE ARMY (DIVERSITY & LEADERSHIP), WASHINGTON, DC 20310

THRU ASSISTANT SECRETARY OF THE ARMY (MANPOWER AND RESERVE AFFAIRS),
111 ARMY PENTAGON, WASHINGTON, DC 20310-0111

THRU SECRETARY OF THE ARMY, 101 ARMY PENTAGON, WASHINGTON, DC 20310-0101

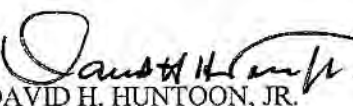
FOR UNDERSECRETARY OF DEFENSE (PERSONNEL AND READINESS), 101 ARMY
PENTAGON, WASHINGTON, DC 20310-0101

SUBJECT: Annual Report (Academic Program Year 2011-2012)---Sexual Harassment and Violence at
the United States Military Academy

1. Reference: Public Law 109-364, Section 532.
2. General. The National Defense Authorization Act for Fiscal Year 2007 requires Service Academy Superintendents to submit an annual report through their Military Department to the Secretary of Defense on sexual harassment/sexual assault involving Academy personnel.
3. Requirements. Section 532 details the report requirements for the Academic Program Year (APY) from 1 June to 31 May, generally corresponding to the beginning of summer training through graduation the following year. The report is at enclosure in the requested template formats, one in an MS Word document (with an addendum for the update on Action Items from the APY 2010-2011 Assessment), and the other in an MS Excel workbook.
4. Conclusion. USMA remains steadfast in its commitment to the Sexual Assault Prevention and Response (SAPR) program through focused preventive efforts and being approachably responsive to allegations of sexual harassment and assault. USMA has diligently and continuously improved its policies, procedures, and processes designed to prevent and respond to sexual assault in accordance with Department of Defense (DoD) requirements. These efforts are reflected in OSD Sexual Assault Prevention and Response Office's reassessment visit which assessed USMA's program as "in compliance" in all areas.
5. The point of contact for this report is LTC Kay "Linda" Emerson, West Point Diversity Officer, at (845) 938-0508, DSN: 688-0508.

2 Enclosures

1. APY 11-12 Programmatic Template
2. APY 11-12 Statistical Template


DAVID H. HUNTOON, JR.
Lieutenant General, US Army
Superintendent

Academic Program Year 2011-2012 Annual Report on Sexual Harassment and Violence at the Military Service Academies: Instructions and Template

Programmatic Data

The purpose of this report is to determine the effectiveness of policies, training, and procedures of the Academy with respect to sexual harassment and violence involving Academy personnel for Academic Program Year (APY) 2011-2012.

Note: The APY 11-12 is specifically from June 1, 2011 to May 31, 2012

Executive Summary

Over the course of the Academic Program Year (APY) 2011-2012, the United States Military Academy (USMA) worked decisively on the action items from the APY 2010-2011 assessment while continuing to advance the academy's program on the prevention of sexual harassment and violence. The progressive training of the US Corps of Cadets and the United States Military Academy Preparatory School (USMAPS) Cadet Candidates through both formal and informal education by the USMA Staff and Faculty resulted in improved understanding of the Sexual Harassment Assault Response and Prevention (SHARP) program.

The Cadet training program relies on the Equal Opportunity (EO) lessons of prevention of sexual harassment and creating and maintaining a positive command climate for all personnel. These lessons are embedded in the Cadet Respect Program. Key tenets of the Respect Program are that every human being has infinite worth and dignity. The Cadet Respect Officers and NCOs in each cadet company provide peer assistance to their Cadet chain of command and fellow company members. Cadets are introduced to SHARP trained first responders for small group facilitation for training. . Staff and faculty members are also trained and informed of the SHARP program.

During APY 2011-2012, USMA received two unrelated formal complaints of sexual

harassment from Cadets. The alleged subjects were a fellow Cadet and a tactical Noncommissioned Officer. Upon investigation, the complaint lodged against the Cadet was substantiated, and the subject was separated from the Academy for communicating a threat. The complaint against the Noncommissioned Officer was unsubstantiated; however, concerns raised about his behaviors resulted in him receiving a letter of reprimand.

USMA received a total of 15 official reports of sexual assault; 12 unrestricted and three restricted reports. Eleven (11) of the twelve investigations of the unrestricted reports were completed in APY 2011-2012; a total of 10 investigations involving Cadet or Cadet Candidate subjects resulted in either findings of a sexual assault offense, other than a sexual assault offense or insufficient evidence in order to establish probable cause of a sexual assault offense. Two investigations were initiated by civilian law enforcement agencies. In one of those cases, the Cadet victim elected to not cooperate with the investigation of the unknown subject. The other case remains under investigation in the State of Indiana. In over 70% of the unrestricted reports, alcohol was used by either the victim or the subject. The responsible use of alcohol remains an area of concern for our Cadets. Several of the cases involved Cadets between whom there were previous dating relationships between the victim and subject.

USMA remains steadfast in its commitment to the Sexual Assault Prevention and Response (SAPR) program through focused preventive efforts and being approachably responsive to allegations of sexual harassment and assault. USMA has diligently and continuously improved its policies, procedures, and processes designed to prevent and respond to sexual assault in accordance with Department of Defense (DoD) requirements. These efforts are reflected in OSD Sexual Assault Prevention and Response Office's reassessment visit which assessed USMA's program as "in compliance" in all areas.

1. Program Overview

1.1. Please provide a general overview of your Academy's Prevention of Sexual Harassment (POSH) and Sexual Assault Prevention and Response (SAPR) program. This overview should include such information as:

- authorizing Service and Academy regulations and policies and dates of publication
- general organizational structure of your Academy POSH and SAPR programs and personnel (e.g. Sexual Assault Response Coordinator (SARC), Equal Opportunity Advisor (EOA), Victim Advocate (VA), and Equal Opportunity

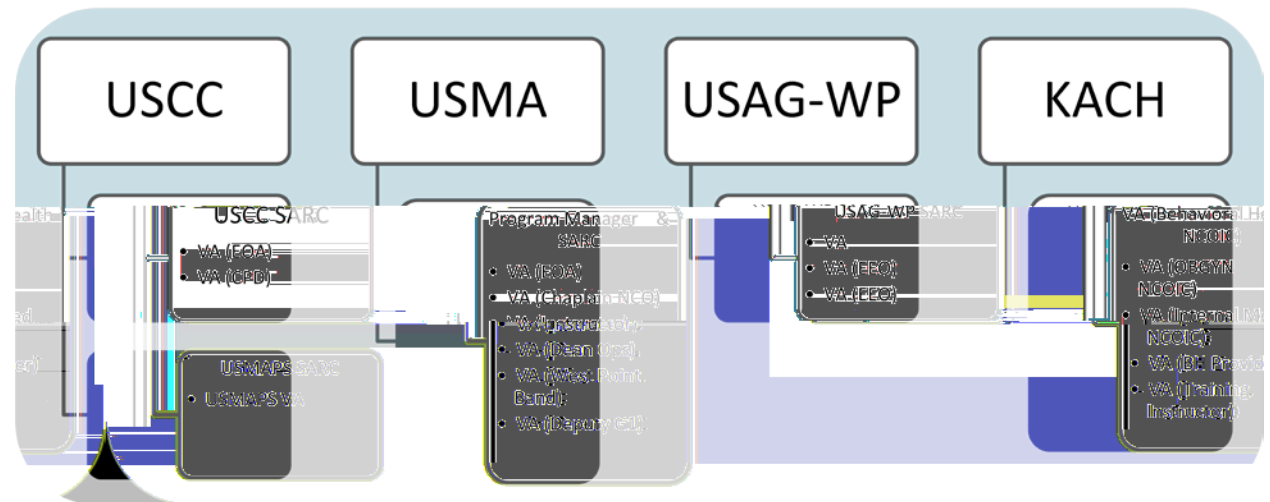
Representatives (EOR) structure, mid-level program management [if any], and program management)

- other personnel involved and their roles in your Academy's POSH and SAPR Programs
- document retention policy implementation
- other (Please explain)

The governing regulations for Prevention of Sexual Harassment (POSH) and Sexual Assault Prevention and Response (SAPR) Program at the United States Military Academy (USMA) include: AR 600-20, Army Command Policy, Rapid Action Revision 4 August 2011 (also revised on 20 September 2012), Chapters 7 and 8, Prevention of Sexual Harassment and Sexual Assault Prevention and Response Program, respectively; and the USMA Policy 127-10, Sexual Assault Prevention and Response (SAPR) Program, USMA Policy Prevention of Sexual Harassment, dated 20 July 2012, Military Equal Opportunity Policy, dated 20 July 2012, and EO Complaint Procedures, dated 9 July 2012.

The general organizational structure of West Point's POSH and SAPR coordination is accomplished through 4 Sexual Harassment / Assault Response and Prevention (SHARP) Program certified Sexual Assault Response Coordinators (SARC) and 18 SHARP Program certified Victim Advocates. The Special Assistant to the Commandant for Human Relations (SAC-HR) serves as the US Corps of Cadets (USCC) SARC providing support to the Corps of Cadets and USCC staff. USCC has two certified Victim Advocates: a counselor in the Center for Personal Development (CPD) and the USCC Equal Opportunity Advisor (EOA). The United States Military Academy Preparatory School (USMAPS) is a subordinate structure to the Commandant, USCC. At USMAPS, a civilian instructor is assigned duties as the Special Assistant to the Commandant for Human Relations (SAC-HR), liaising to USCC SARC. The USMAPS SAC-HR serves as the response coordinator for the USMAPS Cadet Candidates. A USMAPS Tactical Noncommissioned Officer is a certified Victim Advocate. The West Point Installation SARC duties are performed by the US Army Garrison-West Point (USAG-WP) Family Advocacy Program Manager (FAPM). The Family Advocacy Program (FAP) Victim Advocate (VA) provides victim advocacy services primarily for sexual assault victims that are Soldiers, Civilian employees and adult Family Members. The FAPM and FAP VA are part of West Point's Army Community Services (ACS) team. The USAG-WP Equal Employment Opportunity (EEO) Office has two staff members who are SHARP Program certified Victim Advocates. The Corps of Cadets may also obtain victim advocacy support from the medical service providers at the Mologne Cadet Health Clinic or any of the other certified SARCs or Victim Advocates mentioned above or located in the USMA Staff and Faculty. The West Point Diversity Officer serves as the SHARP Program Coordinator, a SHARP certified SARC, and is the coordinator for the monthly Sexual Assault Review Boards hosted by the Superintendent. The USMA Staff and Faculty also have six SHARP Program certified Victim Advocates. This support network is complemented by SHARP Program certified Victim Advocates that are assigned to the Keller Army Community Hospital staff.

West Point SHARP Program Coverage



Other members of the West Point community are partners in the prevention of sexual harassment and sexual assault. They include, but are not limited to the Army Substance Abuse Program, Criminal Investigation Command, and the Staff Judge Advocate. Representatives of these offices have assisted with the training and education of members of the Corps of Cadets and Staff and Faculty. Together, we provide a unified front in prevention and are linked to provide a comprehensive network of assistance to victims, survivors, members of the chain-of-command, and the community.

2. Institutionalize Prevention Strategies in the Military Community

2.1. Please describe the policies, training, procedures, and initiatives implemented or advanced during APY 11-12 to prevent sexual harassment and sexual assault, including but not limited to:

- efforts by your Academy to promote a culture of prevention
- education and training initiatives associated with bystander intervention or appropriate risk reduction that does not blame victims
- communications, social marketing, and media initiatives
- work done to implement or support the Department's Sexual Assault Prevention Strategy
- methods used to foster prevention-related coalitions and networks (i.e. subject matter experts consulted and involved)
- studies of sexual harassment or sexual assault prevalence and/or prevention programming effectiveness supported or performed by your Academy.
- number of personnel and cadets/midshipmen (by year) who received annual POSH and SAPR training
 - training methods and time allotted for training
 - alternative arrangements for individuals absent during training

The United States Military Academy made advances in the prevention of sexual harassment and sexual assault through aggressive training efforts, the Cadet leadership's force protection initiative, the creation of X and Y cases and the Cadet produced video. Early in Academic Program Year 2011-2012, the SHARP certified Equal Opportunity Advisors headed out to the training areas to provide refresher training to the Regular Army and Reserve component training details. These sessions highlighted appropriate standards to maintain and expect from both the Cadets and Soldiers. These sessions are credited with staving off the behaviors that may have resulted in sexual harassment complaints against the visiting training cadre.

The most significant initiatives were made by members of the Corps of Cadets. In response to the previous academic year's case review, the Cadet leadership authored a force protection initiative that requires all fourth class Cadets, Cadets of concern, or Cadets enrolled in a mentorship program to require roommates of the same class and gender for weekends and long weekends, collapsing into another company, if necessary. This initiative also required additional presence patrols and checks for Cadets in duty officer positions over the weekends. The Cadet cadre also created a force protection video that highlights both bystander intervention and Cadets in duty officer positions responsibilities.

Genderless "X and Y" case write-ups containing the descriptions of the background, incident, outcome and lessons learned from three cases were shared in small unit training sessions. The cases bring to light opportunities to intervene that if left unchecked, actually resulted in wrongful sexual contact, indecent assault, and unwanted surveillance. Prior to publishing, incident survivors were afforded the opportunity to consent or decline the use of the write-ups for training purposes.

Prior to the directive for expedited transfer of victims, the Dean of the Academic Board and the Commandant of the US Corps of Cadets established a procedure for immediate movement of alleged Cadet subjects to the furthest geographical location within the Corps of Cadets' footprint, upon receipt of a credible unrestricted report of sexual assault from a fellow Cadet. The Dean of the Academic Board also ensures that the Cadet victim and Cadet subject are not in any of the same classes, if they are, arrangements are made to minimize the likelihood of unintentional academic partnership on projects of the victim and subject.

Cadet Respect Representatives authored monthly SHARP newsletters that were posted in the barracks' restrooms and in public areas. In addition to reorganization week briefings by senior leadership (Superintendent, Commandant, and Dean), each Cadet class received the following training and education:

Class of 2012: 3..5 hours Summer Leader Training Prep Gender Relations overview (1: 150), SHARP Program overview by USCC Sexual Assault Response Team (1:1,000) Russell Strand Presentation of "Sexual Predator: The Hunter and the Hunted" (1:1,000), Cadet SHARP film with small group discussion (1:120). Total trained: 1,032.

Class of 2013: 2.5 hours Summer Leader Training Prep Gender Relations overview (1:150), Sex Signals (1:250), Cadet SHARP film with small group discussion (1:120). Total trained: 1,095.

Class of 2014: 1.5 hours SHARP Program overview by USCC Sexual Assault Response Team (1:1,000), Cadet SHARP film with small group discussion (1:120). Total trained: 1,191.

Class of 2015: 2.5 hours New Cadet SHARP Program overview (1:1,000), Veraunda Jackson presentation "What about You" (1:1,000), Cadet SHARP film with small group discussion (1:120). Total trained: 1,209.

Cadets who miss the smaller venue training sessions receive make-up training sessions. Those who miss the larger venue, copyrighted content, were not provided make up sessions. Every Cadet received exposure to prevention of sexual harassment and sexual assault training at one or more points during the APY 2011-2012.

The USCC Sexual Assault Response Team (SART) attended the 80-hour SHARP Program Training Course, as well as the US Army Region X SART Seminar at Fort Drum, NY, and semi-annual training with the West Point First Responders.

3. Increase Climate of Victim Confidence Associated with Reporting

3.1 Please describe the policies, training, procedures, and initiatives implemented or advanced during APY 11-12, to increase a climate of victim confidence associated with reporting, including but not limited to:

- encourage the reporting of sexual assault
 - steps taken to publicize reporting options (Unrestricted and Restricted)
 - steps taken to publicize the care support available with reporting
 - steps initiated to reduce the stigma associated with reporting sexual assault and increase a climate of confidence with reporting
- understand and overcome reporting challenges
 - discuss reporting challenges and solutions your Academy developed and implemented
 - number of times (Unrestricted or Restricted) where the confidentiality of a report was breached for any reason
- facilitate the use of reporting methods for sexual harassment (formal and informal)

In order to increase a climate of victim confidence, USMA endeavors to have multiple first responders present and recognized during training sessions or guest speaker presentations. This extra effort allows the attendees to see face-to-face the people that serve as our catalyst to inspire prevention and the entry point to our networked response team to facilitate future reporting. West Point SARCs and Victim Advocates hand out the Department of the Army SHARP touch card and the DoD Safehelp Line magnets and stickers, in addition to a locally produced brochure with contact information for first responders.

The Corps of Cadets is taking ownership of the SHARP Program. They developed their own force protection video and newsletters. More than 1,670 Cadets and West Point community members participated in the Sexual Assault Awareness Month "Walk-a-Mile". Entire Cadet units and several sports teams made time for the one mile loop event that was co-hosted with the Mental Health Associates of Orange County, Inc. (rape crisis advocates). At the end of April the Noncommissioned Officers of the United States Military Academy reaffirmed their commitment to preventing sexual harassment and sexual assault by conducting a run/walk on West Point. More than 500 NCOs, Officers, Cadets and civilians participated, showing their support for the SHARP Program. The Corps of Cadets and the Cadet Candidates viewed the Cadet produced video prior to Spring Break. Unit leaders and SHARP personnel facilitated small group discussions on the video and Spring Break safety. These sessions lasted an hour.

Clear, consistent messaging from senior leaders down to and including Cadet leadership reinforced the lessons of bystander intervention, reporting options, and access to assistance. SHARP Training sessions inform staff, faculty, and Cadets on the reasons for not reporting sexual assaults, and not submitting complaints of sexual harassment. Attendees are inspired to take an active role in stopping inappropriate behaviors.

4. Improve Sexual Assault Response

4.1 Please describe the policies, training, procedures, and initiatives implemented or advanced during APY 11-12 to respond to or improve the response to allegations of sexual harassment and sexual assault, including but not limited to:

- availability of immediate, trained sexual assault and sexual harassment response capability
- the number of SARCs, EOAs, VAs and EORs trained and types of training received, to include refresher training
 - training methods and time allotted for training
 - alternative arrangements for individuals absent during training
- the number of 'first responders' trained and types of training (including criminal investigators, law enforcement, medical personnel, judge advocates, and chaplains)
 - training methods and time allotted for training
 - alternative arrangements for individuals absent during training
- victim care improvements both on and off-installation
- academy-wide approaches to incorporate SAPR and POSH at all levels of leadership
- access to resources and supplies
- existing gaps in supply inventory results, as well as the shortage of supplies, trained personnel, and transportation resources, in responding to cases of sexual assault/sexual harassment
- number of victims if any, whose care was hindered due to the lack of available sexual assault forensic examination kits, or other needed supplies and describe how this information is collected. Discuss what measures you took to remedy the

situation at those locations.

The United States Military Academy made advances in the ability to respond to or improve the response to allegations of sexual harassment and sexual assault through aggressive training efforts, the Cadet leadership's force protection initiative, the creation of X and Y cases and the Cadet produced video.

In June 2011, 15 first responders (three SARCs and 12 Victim Advocates) from across West Point received their SHARP certification. In January 2012, five more personnel from across West Point received their SHARP certification as Victim Advocates. Early in Academic Program Year 2011-2012, the SHARP-certified Equal Opportunity Advisors headed out to the training areas to provide refresher training to the 400 Regular Army and Reserve component Soldiers assigned summer rotation training duties. These hour-long facilitated discussion sessions highlighted appropriate standards to maintain and expect from both Cadets and fellow Soldiers. These sessions are credited with preventing inappropriate behaviors that may have resulted in sexual harassment complaints against the visiting training cadre.

The ability to respond to complaints of sexual harassment and reports of sexual assault is maintained through 4 Sexual Harassment / Assault Response and Prevention (SHARP) Program certified Sexual Assault Response Coordinators (SARC) and 18 SHARP Program certified Victim Advocates. This provides a networked response capable of supporting the personnel assigned to or working at the United States Military Academy and the tenant units on West Point. The Army SHARP Course certification program is an 80-hour program of instruction. Forty hours of the course are spent on prevention of and responding to complaints of sexual harassment and 40 hours are spent on prevention of and response to sexual assault.

In addition to the SHARP Course, first responders (SARCs, victim advocates, CID agents, and legal assistance providers) were required to attend (and/or present) the Army's 3-hour block of mandatory SHARP training, and an online situational training program entitled, Team Bound. The first responders also participated in one or both of two 1.5 hours First Responder Cross-Training sessions, where the following were discussed:

a. Reviewed roles and responsibilities of each functional area (SARC, VA, CID, SJA, Chaplain, Healthcare Provider) according to DODI 6495.02, Army Regulations, and local operating instructions.

b. Using recent cases, we reviewed and evaluated our response of each functional area involved. No new policies or operating procedures were authored.

All four SARCs and 18 Victim Advocates attended at least one session of the refresher training; most attended both sessions. CID sent one agent to each session, and SJA provided one Legal Assistance attorney for one session.

Also, Russell Strand presented his "The Hunter and the Hunted" to the Class of 2012.

First responders (SARC, Victim Advocates, as well as CID agents and law enforcement personnel) were invited to attend. Following that 1.5 hour presentation, Mr. Strand provided a supplemental 2-hour session specifically for first responders and law enforcement personnel. Approximately 25 personnel from across West Point attended the supplemental session. In addition to the 3-hour block of required SHARP Training the West Point chaplaincy (13 military and civilian personnel) received an additional hour of facilitated discussion on response policies, victimology, victim rights, and lessons learned in providing pastoral care while supporting the command.

Our CID office receives continual training on sexual assault response policies, victimology, understanding sex offenders, crime scene management, interview techniques, investigating difficult cases, recantations and false information, and working with SARCs and Victim Advocates. The format of these training sessions varies; some are lecture, either here at West Point or involve traveling to Fort Leonard Wood for advance schooling. The SJA and SHARP personnel share resources with CID and vice versa. Whenever possible, make-up training for the CID agents was conducted with the primary instructor, or by an agent whom attended the original presentation utilizing the presentation materials of the principal instructor. In the situations when one of the six agents is deployed, no make-up session was conducted for the deployed member, but the presentation materials were shared. The SJA trial counsel and military defense counsel received training on the revisions to Article 120; trial counsel training on case preparation; and training for working child victim sexual assault cases. This training was conducted in a small group setting with all of our available lawyers present.

The United States Military Academy utilized several methods to ensure that SAPR and POSH at all levels of leadership. The Corps of Cadets is taking ownership of the SHARP Program. They developed their own force protection video and newsletters. More than 1,670 Cadets and West Point community members participated in the Sexual Assault Awareness Month "Walk-a-Mile". Entire Cadet units and several sports teams made time for the one mile loop event that was co-hosted with the Mental Health Associates of Orange County, Inc. (rape crisis advocates). At the end of April the Noncommissioned Officers of the United States Military Academy reaffirmed their commitment to preventing sexual harassment and sexual assault by conducting a run/walk on West Point. More than 500 NCOs, Officers, Cadets and civilians participated, showing their support for the SHARP Program.

Consistent, mutually-supporting messaging from senior leaders down to and including Cadet leadership reinforced the lessons of bystander intervention, reporting options, and access to assistance. The Dean of the Academic Board and the Commandant of the US Corps of Cadets created a joint video message that reinforces their commitment to the SHARP program and identifies the initial actions they take in response to a report of sexual assault. SHARP Training sessions inform staff, faculty, and Cadets on the reasons for not reporting sexual assaults, and not submitting complaints of sexual harassment. Attendees are encouraged to take an active role in stopping inappropriate behaviors.

All POSH and SAPR training is incorporated in combined lessons. The Army's SHARP Program merges prevention of sexual harassment in order to stop behaviors that may escalate into sexual assault, thereby preventing sexual assault. Part of these presentations highlights the availability of victim care services, both on and off-post. West Point has maintained its partnership with the Mental Health Associates of Orange County, Inc., and the USCC SARC is partnering with nearby colleges, such as Vassar College, to share best practices and leverage expertise.

During APY 11-12, West Point did not experience any gaps in supply inventory, trained personnel or transportation resources in responding to cases of sexual assault / sexual harassment. The provision of care for victims was not hindered due to the lack of available sexual assault forensic examination kits, or other needed supplies.

5. Improve System Accountability

5.1 Please provide a description of how your Academy executes its oversight of programs supporting the prevention and response of sexual harassment and sexual assault.

The primary means of oversight of the SAPR program at West Point is the monthly Sexual Assault Review Board (SARB). The USMA Superintendent chairs the SARB, which covers the review of the program's progress, upcoming events, and recently closed and open sexual assault case(s). New commanders attending the SARBS are provided an overview of the SARB and their role and responsibility in attendance.

During the quarterly Family Advocacy Committee (FAC) meetings, the Installation SARC/FAPM provides a brief report of SAPR Program activities during the preceding quarter; no identifying information is shared with the FAC members, only a synopsis of prevention and outreach activities. The FAC meeting is chaired by the Garrison Commander, who also attends the SARB.

The USCC Commandant conducts a monthly Human Relations/Center for Personal Development (HR/CPD) update. The update provides the Commandant information on open sexual assault cases, trends of cadets seeking counseling services, curriculum, equal opportunity complaints, and other observations of current Cadet life. The USCC Sexual Assault Response Team meets quarterly to cross-train and to identify possible improvements or training opportunities for the team's response to incidents of sexual assault.

5.2 Please include a synopsis of the formal processes, participants, and data collection activities that support oversight of the programs including by not limited to:

- program management reviews
- steps taken to address recommendations from past external oversight activities, such as those performed by:
 - Government Accountability Office (GAO)

- DoD Inspector General (IG)
- Defense Task Force on Sexual Assault in the Military Services (DTF-SAMS)
- comprehensive metrics to collect, analyze and report on program improvements
- standardized SAPR/POSH requirements, terminology, protocols, and guidelines for instructional materials
- research and data collection activities that have taken place within your Academy during the past fiscal year
- initiation or execution of any survey for the purpose of informing or improving Academy POSH and SAPR programming, including highlights of available findings
- initiation or execution of any empirical research or evaluation project to inform or improve Academy POSH and SAPR programming, including highlights of available findings

The primary means of oversight of the SAPR program at West Point is the monthly Sexual Assault Review Board (SARB), which is attended by all senior leaders (Superintendent, Commandant, Dean of the Academic Board, the Director of Intercollegiate Athletics, colonel-level commanders and the regimental tactical officers (battalion-level commanders) of the Corps of Cadets. Additionally, the four SARCs, the Victim Advocates currently providing advocacy, SJA, CID, the Alcohol and Substance Abuse Program (ASAP), The USMA Superintendent chairs the SARB, which covers the review of the program's progress, upcoming events, and recently closed and open sexual assault case(s). New commanders attending the SARBs are provided an overview of the SARB and their role and responsibility in attendance, as outlined in Army Regulation 600-20.

In addition to case management review, the SARBs review past and upcoming training and program events. The completion of mandatory training progress of Staff, Faculty and support personnel. The Comprehensive SHARP Curriculum Development Team provided an out-brief to the SARB on their recommendations, which included recommended metrics to collect, analyze and report on program improvements. The metric data has not been analyzed at the time of report submission.

6. Improve Knowledge and Understanding of SAPR

6.1. List internal and external stakeholders for sexual harassment and sexual assault for your Academy. Please include any collaboration with other entities.

There are numerous stakeholders of the United States Military Academy's Sexual Harassment/Assault Response & Prevention (SHARP) Program. Some of the internal stakeholders include the US Corps of Cadets and the Cadet Candidates, the staff, faculty, support personnel, and the Academy leadership team. Other internal stakeholders include the on-post organizations that provide victim care, such as the Keller Army Community Hospital, law enforcement, and Criminal Investigation Command. External stakeholders of the USMA SHARP Program include parents and next-of-kin of the US Corps of Cadets and the Cadet Candidates, local communities,

alumni of USMA, Department of the Army, Department of Defense, the American people, and the people of foreign countries with whom our Cadets interact during individual advanced development trips.

We continue to partner with the Mental Health Associates of Orange County, Inc. and their Sexual Assault Response Team (SART) efforts. They work with us on our “Walk-a-Mile” events. We began partnering with the local colleges’ sexual assault response providers, sharing lessons learned and training/educational resources.

6.2. Please describe the policies, training, procedures, and initiatives implemented or advanced during APY 11-12 to inform and educate the stakeholders listed above about sexual harassment and sexual assault.

Locally, the West Point partnership with Mental Health Associates of Orange County, Inc. and their Sexual Assault Response Team (SART) continues. They work with us on our “Walk-a-Mile” events, and display a sincere concern for respecting and supporting the Department of Defense’s policies regarding victim care. In APY 2011-2012, USCC began partnering with the local colleges’ sexual assault response providers, sharing lessons learned and training/educational resources.

On a strategic level, the Superintendent briefed several congress members on the USMA SHARP Program. Several congressional members sent delegations of staff members on visits to the academy to inquire about the SHARP Program. Delegations to West Point appeared to have positive experiences which were reinforced by their interactions with Cadets, previewing the Cadet produced force protection video, and tours through several of the barracks buildings. The barracks tours include comparisons of the various configurations of architecture, security camera layouts, maintenance of unit integrity, while minimizing distances to gender-assigned shower and toilet facilities.

7. Data for Cadet/Midshipman Reports

7.1. Please provide a narrative that summarizes the reports made during APY 11-12 including but not limited to:

- total number of sexual assault reports
- number of Unrestricted reports
- number of Restricted reports
- reports converted from Restricted to Unrestricted
- dispositions for investigations of Unrestricted reports
- number of formal and informal sexual harassment complaints
- dispositions for investigation of sexual harassment complaints

The United States Military Academy Sexual Assault Response Team (SART) received 15 reports of sexual assault during Academic Program Year 2011-2012.

Total number of reports: 15

Restricted reports: 3

Unrestricted reports: 12 (Note: One of the unrestricted reports was a conversion from restricted report rendered in APY 2010-2011 to an unrestricted report in APY 2011-2012. There were zero conversions of APY 2011-2012 restricted reports to unrestricted reports in the reporting period.)

The 10 investigations of the unrestricted reports by CID resulted in either findings of a sexual assault offense, other than a sexual assault offense or insufficient evidence in order to establish probable cause of a sexual assault offense. Two investigations were initiated by civilian law enforcement agencies. In one of those cases, the Cadet victim elected to not cooperate with the investigation of the unknown subject. The other case remains under investigation in the State of Indiana.

All, but one of the victims rendering reports were female; all but one a Cadet. All, but one of the alleged subjects were male. In two cases, the alleged subjects were civilians. In 8 of the 12 unrestricted reports, alcohol was used by either the victim or the subject. In 3 of the 8 cases, only the subject imbibed in alcohol prior to the alleged assault. The responsible use of alcohol remains an area of concern for our Cadets. Several of the cases involved cadets between whom there were previous dating relationships between the victim and subject.

USMA received two complaints of sexual harassment from Cadets; both were formal. One of the complaints involved an allegation of physical and verbal harassment, the investigation of this complaint resulting in a substantiation of the alleged behaviors. The subject was separated from the Corps of Cadets. The other complaint of sexual harassment was unsubstantiated. However, the alleged subject received a letter of reprimand, and the chain-of-command honored the complainant's request for transfer to another company.

8. Gender Relations Survey

8.1. If available, please review the findings of the 2012 Service Academy Gender Relations Survey conducted by the Defense Manpower Data Center (DMDC). Explain how this data reflects your Academy's achievement, progress or need for improvement in:

- climate of confidence to report and seek help
- prevention of sexual assault
- access and knowledge of resources for medical care and counseling
- understanding of Restricted and Unrestricted reporting options
- knowledge of the reporting process for sexual harassment and sexual assault
- training on how to avoid situations that increase risk of sexual violence
- underreporting of sexual harassment and sexual assault

Results of the survey were not available for inclusion in this report.

8.2. Please describe how your Academy will apply specific results of the 2012 Service Academy Gender Relations Survey to sexual assault and sexual harassment prevention and response.

Results of the survey were not available for inclusion in this report.

9. Plans for APY 12-13

9.1 Please describe the plan for actions that are to be taken in APY 12-13 regarding prevention and response to sexual harassment and sexual assault involving Academy personnel, including but not limited to:

- prevention of sexual harassment and sexual assault
- improving victim reporting of sexual assault and knowledge of sexual harassment reporting resourcing
- response to victims
- oversight activities
- stakeholder outreach

During the APY 2012-2013, USCC will incorporate the Cadets Against Sexual Harassment/Assault (CASH/A) Program. Initially, the Cadets will be trained to increase their depth of understanding about the crimes of sexual harassment and sexual assault. CASHA Cadets are expected to serve as in-house, knowledgeable residents of the barracks able to explain the reporting process for complaints of sexual harassment or report incidents of sexual assault, and able to provide an in-person hand-off to SHARP personnel. Leaning forward into APY 2013-2014, CASHA Cadets will have the opportunity for a Military Individual Advanced Development (MIAD) in order to attend the SHARP Program Training Course. This will enable the Cadets to provide an initial provision of victim advocacy, with a hand-off to other first responders for long-term victim care.

We will establish civilian full-time positions for the USMA SARC and Victim Advocate. It is expected that the persons that will fulfill these roles will work to increase reporting and provide improved outreach. Parents and Next-of-Kin of Cadets will be provided the contact information for the SHARP Response phone in order to minimize the occurrence of restricted reports converting to unrestricted reports---not at the victim's choosing. Educating the parents and next-of-kin will increase awareness of the sincerity with which USMA and the Army handle the crimes of sexual harassment and sexual assault.

West Point will incorporate a training program as a part of the program management reviews that are conducted within the Sexual Assault Review Boards. USMA will update the Sexual Assault Prevention & Response (SAPR) Program Policy, incorporating the latest provisions outlined in applicable, law, policy and regulatory guidance. USMA will improve its lateral interaction with the other military service academy (MSA) Sexual Assault Response Teams (SART) by conducting quarterly meetings and reinvigorating the annual MSA SART conference. These efforts are expected to improve the sharing of best practices and resources across the service academies.

10. Status of Past Action Items and Recommendations in previous reports

10.1 For the following section, refer to the APY10-11 Report on Sexual Harassment and Violence for a list of the current action items and past recommendations for your Academy. List each action item or recommendation verbatim from the report and describe in detail your progress in addressing the item. For each item provide or describe evidence of compliance, your assessment of the item's completion (e.g. in progress, closed), and an estimated completion date for those items considered to be in progress.

See attachment.

ACADEMIC PROGRAM YEAR 2011 - 2012 SUMMARY OF UNRESTRICTED SEXUAL ASSAULT REPORTS INVOLVING CADETS/MIDSHIPMEN	APY11-12 Totals
Total Cadet/Midshipman victims in all investigations closed in APY11-12*	10
Cadet/Midshipman victims whose reports of sexual assault could be substantiated*	6
Total Cadet/Midshipman subjects in all investigations closed in APY11-12	10
Cadet/Midshipman subjects against whom sexual assault reports could be substantiated	7
Sexual Assault Investigations Involving Cadet/Midshipman Opened and Completed in APY11-12	APY11-12 Totals
# Cadet/Midshipman victims identified in investigations initiated and closed in APY11-12*	10
# Cadet/Midshipman victims whose reports of sexual assault could be substantiated*	6
# Cadet/Midshipman subjects identified in investigations initiated and closed in APY11-12	10
# Cadet/Midshipman subjects against whom sexual assault reports could be substantiated	7
Sexual Assault Investigations Involving Cadet/Midshipman Opened Prior to APY11-12 and Completed in APY11-12	APY11-12 Totals
# Cadet/Midshipman victims identified in Pre-APY11-12 investigations closed in APY11-12*	0
# Cadet/Midshipman victims whose reports of sexual assault could be substantiated*	0
# Cadet/Midshipman subjects identified in Pre-APY11-12 investigations closed in APY11-12	0
# Cadet/Midshipman subjects against whom sexual assault reports could be substantiated	0
*Does not include victims from Restricted Reports, per mandate in PL 111-383	
ACADEMIC PROGRAM YEAR 2012 SUMMARY OF RESTRICTED SEXUAL ASSAULT REPORTS INVOLVING Cadets/Midshipmen	
# Cadet/Midshipman Victims initially making Restricted Reports	3
# Cadet/Midshipman Victims who converted from Restricted Report to Unrestricted Report in the current APY	0
# Cadet/Midshipman Victim Reports Remaining Restricted	3

1. Unrestricted Reports

United States Military Academy APY11-12 UNRESTRICTED REPORTS OF SEXUAL ASSAULTS	
A. APY11-12 REPORTS OF SEXUAL ASSAULT (rape, aggravated sexual assault, aggravated sexual contact, abusive sexual contact, wrongful sexual contact, non-consensual sodomy, and attempts to commit these offenses) BY or AGAINST Cadets/Midshipmen.	APY11-12 Totals
Note: The data about Unrestricted Reports in Sections A and B below is raw, uninvestigated information about allegations received during APY11-12. These Reports may not be fully investigated by the end of the Academic Program year.	
# VICTIMS in APY11-12 Unrestricted Reports	12
# Cadet/Midshipman victims	11
# Non-Cadet/Midshipman victims	1
# Unrestricted Reports in the following categories	12
# Cadet/Midshipman on Cadet/Midshipman	9
# Cadet/Midshipman on Non-Cadet/Midshipman	1
# Non-Cadet/Midshipman on Cadet/Midshipman	1
# Unidentified Subject on Cadet/Midshipman	1
# Unrestricted Reports of sexual assault occurring	12
# On Academy Grounds	5
# Off Academy Grounds	7
# Unidentified location	0
# Investigations Initiated (From APY11-12 Unrestricted Reports)	12
# Investigations pending completion as of 31 May 12	1
# Completed Investigations as of 31 May 12	11
# All Restricted Reports received in APY11-12	3
# Converted from Restricted Report to Unrestricted Report*	0
# APY11-12 RESTRICTED REPORTS REMAINING RESTRICTED	3
B. DETAILS OF UNRESTRICTED REPORTS RECEIVED IN APY11-12	APY11-12 Totals
Length of time between sexual assault and Unrestricted Report	12
# Reports made within 3 days of sexual assault	6
# Reports made within 4 to 30 days after sexual assault	1
# Reports made within 31 to 365 days after sexual assault	5
# Reports made longer than 365 days after sexual assault	0
# Unknown	0
Time of sexual assault	12
# Midnight to 6 am	5
# 6 am to 6 pm	2
# 6 pm to midnight	4
# Unknown	1
Day of sexual assault	12
# Sunday	2
# Monday	0
# Tuesday	0
# Wednesday	0
# Thursday	1
# Friday	5
# Saturday	4
# Unknown	0
C. SUMMARY OF ALL INVESTIGATIONS OF UNRESTRICTED REPORTS COMPLETED IN APY11-12	APY11-12 Totals
# Total Investigations completed during APY11-12	11
# Investigations opened in APY11-12 and completed in APY11-12	11
# Of these investigations with more than one victim, more than one subject, or both	0
# Investigations opened prior to APY11-12 and completed in APY11-12	0
# Of these investigations with more than one victim, more than one subject, or both	0
# SUBJECTS in all investigations completed during APY11-12	11
# Cadet/Midshipman subjects in completed investigations	10
# Your Cadet/Midshipman subjects investigated by your Service	10
# Other Service Cadet/Midshipman subjects investigated by your Service	0
# Non-Cadet/Midshipman subjects in your Service's investigations	0
# Unidentified subjects in your Service's investigations	1
# VICTIMS in all investigations completed during APY11-12	11
# Cadet/Midshipman victims	10
# Cadet/Midshipman victims in own Service's investigations	10
# Other Service Cadet/Midshipman victims in your Service's investigations	0
# Non-Cadet/Midshipman victims in your Service's investigations	1
# Unidentified victims in your Service's investigations	0

D. FINAL DISPOSITIONS FOR SUBJECTS IN COMPLETED APY11-12 INVESTIGATIONS	APY11-12 Totals	D1. ASSOCIATED VICTIM DATA FOR COMPLETED APY11-12 INVESTIGATIONS	APY11-12 Totals
# Investigations opened in APY11-12 and completed in APY11-12	11	# VICTIMS in investigations opened in APY11-12 and completed in APY11-12	11
# SUBJECTS in investigations opened in APY11-12 and completed in APY11-12	11	# Cadet/Midshipman Victims in investigations opened and completed in APY11-12	10
# Cadet/Midshipman Subjects in investigations opened and completed in APY11-12	10	# Total Victims associated with MCIO unfounded allegations	0
# Total Subjects with allegations unfounded by a Military Criminal Investigative Organization	0	# Cadet/Midshipman Victims involved in MCIO unfounded allegations	0
# Cadet/Midshipman Subjects with allegations unfounded by MCIO	0	# Non-Cadet/Midshipman Victims involved in MCIO unfounded allegations	0
# Non-Cadet/Midshipman Subjects with allegations unfounded by MCIO	0		
# Total Subjects Outside DoD Prosecutive Authority	1	# Cadet/Midshipman Victims in substantiated Unknown Offender Reports	0
# Unknown Offenders	1	# Cadet/Midshipman Victims in remaining Unknown Offender Reports	0
		# Cadet/Midshipman Victims in substantiated Civilian/Foreign National Subject Reports	0
# US Civilians or Foreign National Subjects not Subject to the UCMJ	0	# Cadet/Midshipman Victims in remaining Civilian/Foreign National Subject Reports	0
		# Cadet/Midshipman Victims in substantiated reports against a Cadet/Midshipman who is being Prosecuted by a Civilian/Foreign Authority	0
# Cadet/Midshipman Prosecuted by a Civilian or Foreign Authority	0	# Cadet/Midshipman Victims in substantiated reports with a deceased or deserted subject	0
# Subjects who died or deserted	0	# Cadet/Midshipman Victims in remaining reports with a deceased or deserted subject	0
# Total Command Action Precluded or Declined for Sexual Assault	2	# Cadet/Midshipman victims who declined to participate in the military justice action	0
# Cadet/Midshipman Subjects where victim declined to participate in the military justice action	0	# Cadet/Midshipman victims in investigations having insufficient evidence to prosecute	0
# Cadet/Midshipman Subjects whose investigations had insufficient evidence to prosecute	2	# Cadet/Midshipman victims whose cases involved expired statute of limitations	0
# Cadet/Midshipman Subjects whose cases involved expired statute of limitations	0	# Cadet/Midshipman victims whose allegations were unfounded by Command	0
# Cadet/Midshipman Subjects with allegations that were unfounded by Command	0	# Cadet/Midshipman victims who died before completion of the military justice action	0
# Cadet/Midshipman Subjects with victims who died before completion of military justice action	0		
# Subjects still awaiting command action as of 31 May 12	1	# APY11-12 Cadet/Midshipman victims in cases where evidence supported Command Action	6
# Subjects for whom command action was completed as of 31 May 12	7	# Cadet/Midshipman Victims involved with Court-martial preferrals (Initiations) against subject	3
# APY11-12 Cadet/Midshipman Subjects where evidence supported Command Action	7	# Cadet/Midshipman Victims involved with Nonjudicial punishments (Article 15) against subject	0
# Cadet/Midshipman Subjects: Courts-Martial charge preferred (Initiated)	3	# Cadet/Midshipman Victims involved with Administrative discharges against subject	1
# Cadet/Midshipman Subjects: Nonjudicial punishments (Article 15 UCMJ)	0	# Cadet/Midshipman Victims involved with Other administrative actions against subject	0
# Cadet/Midshipman Subjects: Administrative discharges	1	# Cadet/Midshipman Victims involved with Court-martial preferrals for non-sexual assault offenses	0
# Cadet/Midshipman Subjects: Other adverse administrative actions	0	# Cadet/Midshipman Victims involved with Nonjudicial punishment for non-sexual assault offenses	0
# Cadet/Midshipman Subjects: Courts-Martial charge preferred for non-sexual assault offense	0	# Cadet/Midshipman Victims involved with administrative discharges for non-SA offense	1
# Cadet/Midshipman Subjects: Non-judicial punishment for non-sexual assault offense	0	# Cadet/Midshipman Victims involved with Other administrative actions for non-SA offense	1
# Cadet/Midshipman Subjects: Administrative discharges for non-sexual assault offense	1		
# Cadet/Midshipman Subjects: Other adverse administrative actions for non-sexual assault offense	2		
E. FINAL DISPOSITIONS FOR SUBJECTS IN Pre-APY11-12 INVESTIGATIONS	APY11-12 Totals	E1. ASSOCIATED VICTIM DATA FOR COMPLETED Pre-APY11-12 INVESTIGATIONS	APY11-12 Totals
(Prior year investigations completed in APY11-12)		# VICTIMS in investigations opened prior to APY11-12 and completed in APY11-12	0
# Total Number of Pre-APY11-12 Investigations pending completion at the end of APY11-12 (31 May 12)	0	# Cadet/Midshipman Victims in investigations opened prior to APY11-12 and completed in APY11-12	0
# Pre-APY11-12 Investigations STILL PENDING completion as of 31-May-12	0	# Total Pre-APY11-12 Victims associated with MCIO unfounded allegations	0
# Pre-APY11-12 Investigations completed of 31 May 12	0	# Cadet/Midshipman Victims involved in MCIO unfounded allegations	0
# SUBJECTS in Pre-APY11-12 investigations completed by 31-May-12	0	# Non-Cadet/Midshipman Victims involved in MCIO unfounded allegations	0
# Cadet/Midshipman Subjects in Pre-APY11-12 investigations completed in APY11-12	0		
# Total Pre-APY11-12 Subjects with allegations unfounded by MCIO	0	# Cadet/Midshipman Victims in substantiated Unknown Offender Reports	0
# Cadet/Midshipman Subjects with allegations unfounded by MCIO	0	# Cadet/Midshipman Victims in remaining Unknown Offender Reports	0
# Non-Cadet/Midshipman Subjects with allegations unfounded by MCIO	0	# Cadet/Midshipman Victims in substantiated Civilian/Foreign National Subject Reports	0
# Total Pre-APY11-12 Subjects Outside DoD Prosecutive Authority	0	# Cadet/Midshipman Victims in remaining Civilian/Foreign National Subject Reports	0
# Unknown Offenders	0	# Cadet/Midshipman Victims in substantiated reports against a Cadet/Midshipman who is being Prosecuted by a Civilian/Foreign Authority	0
		# Cadet/Midshipman Victims in substantiated reports with a deceased or deserted subject	0
# US Civilians or Foreign National Subjects not Subject to the UCMJ	0	# Cadet/Midshipman Victims in remaining reports with a deceased or deserted subject	0
# Cadet/Midshipmen Prosecuted by a Civilian or Foreign Authority	0	# Cadet/Midshipman victims who declined to participate in the military justice action	0
# Subjects who died or deserted	0	# Cadet/Midshipman victims in investigations having insufficient evidence to prosecute	0
		# Cadet/Midshipman victims whose cases involved expired statute of limitations	0
# Total Command Action Precluded or Declined for Sexual Assault	0	# Cadet/Midshipman victims whose allegations were unfounded by Command	0
# Cadet/Midshipman Subjects where victim declined to participate in the military justice action	0	# Cadet/Midshipman victims who died before completion of the military justice action	0
# Cadet/Midshipman Subjects whose investigations had insufficient evidence to prosecute	0		
# Cadet/Midshipman Subjects whose cases involved expired statute of limitations	0	# Pre-APY11-12 Cadet/Midshipman Victims in cases where evidence supported Command Action	0
# Cadet/Midshipman Subjects with allegations that were unfounded by Command	0	# Cadet/Midshipman Victims involved with Court-martial preferrals (Initiations) against subject	0
# Cadet/Midshipman Subjects with victims who died before completion of military justice action	0	# Cadet/Midshipman Victims involved with Nonjudicial punishments (Article 15) against subject	0
# Subjects still awaiting command action as of 31-May-12	0	# Cadet/Midshipman Victims involved with Administrative discharges against subject	0
# Subjects for whom command action was completed as of 31-May-12	0	# Cadet/Midshipman Victims involved with Other administrative actions against subject	0
# Pre-APY11-12 Cadet/Midshipman Subjects where evidence supported Command Action	0	# Cadet/Midshipman Victims involved with Court-martial preferrals for non-sexual assault offenses	0
# Cadet/Midshipman Subjects: Courts-Martial charge preferred (Initiated)	0	# Cadet/Midshipman Victims involved with Nonjudicial punishment for non-sexual assault offenses	0
# Cadet/Midshipman Subjects: Nonjudicial punishments (Article 15 UCMJ)	0	# Cadet/Midshipman Victims involved with administrative discharges for non-SA offense	0
# Cadet/Midshipman Subjects: Administrative discharges	0	# Cadet/Midshipman Victims involved with Other administrative actions for non-SA offense	0
# Cadet/Midshipman Subjects: Other adverse administrative actions	0		
# Cadet/Midshipman Subjects: Courts-Martial charge preferred for non-sexual assault offense	0		
# Cadet/Midshipman Subjects: Non-judicial punishment for non-sexual assault offense	0		
# Cadet/Midshipman Subjects: Administrative discharges for non-sexual assault offense	0		
# Cadet/Midshipman Subjects: Other adverse administrative actions for non-sexual assault offense	0		

* Restricted Reports that convert to Unrestricted Reports are counted with the total number of Unrestricted Reports.

G. REPORTED SEXUAL ASSAULTS INVOLVING Cadet/Midshipman (BY or AGAINST Cadet/Midshipman) IN THE FOLLOWING CATEGORIES FOR ALL APY11-12 INVESTIGATIONS Note: The data in this section is drawn from raw, uninvestigated information about Unrestricted Reports received during APY11-12. These Reports may not be fully investigated by the end of the Academic Program year.	Rape (Art. 120)	Aggravated Sexual Assault (Art. 120)	Aggravated Sexual Contact (Art. 120)	Abusive Sexual Contact (Art.120)	Wrongful Sexual Contact (Art. 120)	Non-Consensual Sodomy (Art. 125)	Indecent Assault (Art. 134) (Pre-FY07)	Attempts to Commit Offenses (Art. 80)	Rape (Art. 120)	Aggravated Sexual Assault* (Art. 120) After June 28, 2012 this becomes "Sexual Assault"	Aggravated Sexual Contact (Art. 120)	Abusive Sexual Contact (Art.120)	Wrongful Sexual Contact* (Art. 120) After June 28, 2012, discontinue use of this category.	Non-Consensual Sodomy (Art. 125)	Attempts to Commit Offenses (Art. 80)	APY11-12 Totals
	Subject Data From Investigations Opened in Prior Years, but closed during APY11-12								Subject Data From Investigations Opened and Closed in APY11-12							
I. DEMOGRAPHICS ON SUBJECTS IN INVESTIGATIONS COMPLETED IN APY11-12 Note: The information below is drawn from all investigations that were closed during APY11-12, and does not correspond to the data reported in sections F and G above.	1	1	0	0	0	0	0	0	4	0	0	0	5	0	0	11
Gender of SUBJECTS	1	1	0	0	0	0	0	0	4	0	0	0	4	0	0	10
# Male	0	0	0	0	0	0	0	0	0	0	0	0	1	0	0	1
# Female	0	0	0	0	0	0	0	0	0	0	0	0	0	0	0	0
# Unknown	1	1	0	0	0	0	0	0	4	0	0	0	3	0	0	11
Age of SUBJECTS	1	1	0	0	0	0	0	0	4	0	0	0	5	0	0	11
# 16-19	0	1	0	0	0	0	0	0	3	0	0	0	2	0	0	7
# 20-24	0	0	0	0	0	0	0	0	0	0	0	0	0	0	0	0
# 25-34	0	0	0	0	0	0	0	0	0	0	0	0	0	0	0	0
# 35-49	0	0	0	0	0	0	0	0	0	0	0	0	0	0	0	0
# 50-64	0	0	0	0	0	0	0	0	0	0	0	0	0	0	0	0
# 65 and older	0	0	0	0	0	0	0	0	1	0	0	0	0	0	0	1
# Unknown	1	1	0	0	0	0	0	0	4	0	0	0	5	0	0	11
Subject Type	1	1	0	0	0	0	0	0	3	0	0	0	5	0	0	10
# Service Member	0	0	0	0	0	0	0	0	0	0	0	0	0	0	0	0
# DoD Civilian	0	0	0	0	0	0	0	0	0	0	0	0	0	0	0	0
# DoD Contractor	0	0	0	0	0	0	0	0	0	0	0	0	0	0	0	0
# Other US Government Civilian	0	0	0	0	0	0	0	0	0	0	0	0	0	0	0	0
# US Civilian	0	0	0	0	0	0	0	0	0	0	0	0	0	0	0	0
# Foreign national	0	0	0	0	0	0	0	0	0	0	0	0	0	0	0	0
# Foreign military	0	0	0	0	0	0	0	0	1	0	0	0	0	0	0	1
# Unknown	1	1	0	0	0	0	0	0	4	0	0	0	5	0	0	11
Grade of SUBJECTS	1	0	0	0	0	0	0	0	0	0	0	0	2	0	0	3
# 1st Year	0	0	0	0	0	0	0	0	1	0	0	0	0	0	0	1
# 2nd Year	0	0	0	0	0	0	0	0	2	0	0	0	0	0	0	2
# 3rd Year	0	1	0	0	0	0	0	0	0	0	0	0	2	0	0	3
# 4th Year	0	0	0	0	0	0	0	0	0	0	0	0	1	0	0	1
# Prep School Student	0	0	0	0	0	0	0	0	0	0	0	0	0	0	0	0
# Active Duty Service Member	0	0	0	0	0	0	0	0	0	0	0	0	0	0	0	0
# Non-Service Member	0	0	0	0	0	0	0	0	1	0	0	0	0	0	0	1
# Unknown	1	1	0	0	0	0	0	0	3	0	0	0	5	0	0	10
Service of Service Member SUBJECTS	1	1	0	0	0	0	0	0	3	0	0	0	5	0	0	10
# Army	0	0	0	0	0	0	0	0	0	0	0	0	0	0	0	0
# Navy	0	0	0	0	0	0	0	0	0	0	0	0	0	0	0	0
# Marines	0	0	0	0	0	0	0	0	0	0	0	0	0	0	0	0
# Air Force	0	0	0	0	0	0	0	0	0	0	0	0	0	0	0	0
# Coast Guard	0	0	0	0	0	0	0	0	0	0	0	0	0	0	0	0
# Unknown	1	1	0	0	0	0	0	0	3	0	0	0	5	0	0	10
Status of Service Member SUBJECTS	0	0	0	0	0	0	0	0	0	0	0	0	0	0	0	0
# Active Duty	0	0	0	0	0	0	0	0	0	0	0	0	0	0	0	0
# Reserve (Activated)	0	0	0	0	0	0	0	0	0	0	0	0	0	0	0	0
# National Guard (Activated - Title 10)	1	1	0	0	0	0	0	0	3	0	0	0	4	0	0	9
# Cadet/Midshipman	0	0	0	0	0	0	0	0	0	0	0	0	1	0	0	1
# Academy Prep School Student	0	0	0	0	0	0	0	0	0	0	0	0	0	0	0	0
# Unknown	0	0	0	0	0	0	0	0	0	0	0	0	0	0	0	0

*NOTE: Pursuant to the Academic Program Year 2012 National Defense Authorization Act change to Article 120 of the Uniform Code of Military Justice, these categories will change on June 28, 2012.

2. Restricted Reports

United States Military Academy APY11-12 RESTRICTED REPORTS OF SEXUAL ASSAULT	
A. APY11-12 RESTRICTED REPORTS OF SEXUAL ASSAULT (rape, aggravated sexual assault, aggravated sexual contact, abusive sexual contact, wrongful sexual contact, non-consensual sodomy, and attempts to commit these offenses)	APY11-12 TOTALS
# TOTAL victims initially making Restricted Reports	3
# Cadet/Midshipman victims making Restricted Reports	3
# Non-Cadet/Midshipman, Adult Dependent and Service Member Victims making Restricted Report involving a Cadet/Midshipman Subject	0
# Total victims who converted from Restricted Report to Unrestricted Report in the current APY*	0
# Cadet/Midshipman victims who converted from Restricted Report to Unrestricted Report in current APY	0
# Non-Cadet/Midshipman, Adult Dependent and Service Member Victims who converted from Restricted Report to Unrestricted Report in current APY	0
# TOTAL victim reports remaining Restricted	3
# Cadet/Midshipman victim reports remaining Restricted	3
# Non-Cadet/Midshipman, Adult Dependent and Service Member Victim reports remaining Restricted	0
# Reported sexual assaults involving Cadet/Midshipman in the following categories	3
# Cadet/Midshipman on Cadet/Midshipman	3
# Non-Cadet/Midshipman on Cadet/Midshipman	0
# Cadet/Midshipman on Non-Cadet/Midshipman (entitled to a RR by DoD Policy)	0
# Unidentified subject on Cadet/Midshipman	0
B. INCIDENT DETAILS	APY11-12 TOTALS
# Reported sexual assaults occurring	3
# On Academy Grounds	1
# Off Academy Grounds	2
# Unidentified location	0
Length of time between sexual assault and Restricted Report	3
# Reports made within 3 days of sexual assault	3
# Reports made within 4 to 30 days after sexual assault	0
# Reports made within 31 to 365 days after sexual assault	0
# Reports made longer than 365 days after sexual assault	0
# Unknown	0
Time of sexual assault incident	3
# Midnight to 6 am	2
# 6 am to 6 pm	0
# 6 pm to midnight	0
# Unknown	1
Day of sexual assault incident	3
# Sunday	0
# Monday	2
# Tuesday	0
# Wednesday	0
# Thursday	0
# Friday	0
# Saturday	0
# Unknown	1
C. RESTRICTED REPORTING - VICTIM SERVICE AFFILIATION	APY11-12 TOTALS
# Service Member VICTIMS	3
# Army victims	3
# Navy victims	0
# Marines victims	0
# Air Force victims	0
# Coast Guard	0
# Unknown	0
D. DEMOGRAPHICS FOR APY11-12 RESTRICTED REPORTS OF SEXUAL ASSAULT	APY11-12 TOTALS
Gender of VICTIMS	3
# Male	0
# Female	3
# Unknown	0
Age of VICTIMS	3
# 16-19	2
# 20-24	1
# 25-34	0
# 35-49	0
# 50-64	0
# 65 and older	0
# Unknown	0
Grade of Service Member VICTIMS Grade	3
# 1st Year	1
# 2nd Year	1
# 3rd Year	1
# 4th Year	0
# Prep School Student	0
# Service Member	0
# Unknown	0
Status of Service Member VICTIMS	3
# Active Duty	0
# Reserve (Activated)	0
# National Guard (Activated - Title 10)	0
# Cadet/Midshipman	3
# Academy Prep School Student	0
# Unknown	0
VICTIM Type	3
# Service Member	3
# DoD Civilian	0
# DoD Contractor	0
# Other US Government Civilian	0
# US Civilian (Service Member Dependent Over Age 18)	0
# Foreign national	0
# Foreign military	0
# Unknown	0
E. RESTRICTED REPORTING FOR A SEXUAL ASSAULT THAT OCCURRED PRIOR TO JOINING SERVICE	APY11-12 TOTALS
# Cadet/Midshipman VICTIMS making a Restricted Report for Incidents Occurring Prior to Military Service	0
# Cadet/Midshipman Making a Restricted Report for an Incident that Occurred Prior to Age 18	0
# Cadet/Midshipman Making a Restricted Report for an Incident that Occurred After Age 18	0
# Cadet/Midshipman Choosing Not to Specify	0
F. RESTRICTED REPORTS CONVERSION DATA (DSAID USE ONLY)	APY11-12 TOTALS
Mean # of Days Taken to Change to Unrestricted	
Standard Deviation of the Mean For Days Taken to Change to Unrestricted	
Mode # of Days Taken to Change to Unrestricted	
* The Restricted Reports are reports that converted to Unrestricted Reports are counted in the total number of Unrestricted Reports listed in Worksheet 1a, Section A.	

3. Victims Services

United States Military Academy APY11-12 SUPPORT SERVICES FOR VICTIMS OF SEXUAL ASSAULT	
<i>NOTE: Totals of referrals and military protective orders are for all activities during the reporting period, regardless of when the sexual assault report was made.</i>	
A. SUPPORT SERVICE REFERRALS TO CADET/MIDSHIPMAN AND SERVICE MEMBER VICTIMS FROM UNRESTRICTED REPORTS:	APY11-12 TOTALS
# Support service referrals for VICTIMS in the following categories	
# MILITARY Resources (Referred by DoD)	23
# Medical	3
# Mental Health	1
# Legal	4
# Chaplain/Spiritual Support	4
# Rape Crisis Center	0
# Victim Advocate/Uniformed Victim Advocate	11
# DoD Safe Helpline	0
# Other	0
# CIVILIAN Resources (Referred by DoD)	2
# Medical	1
# Mental Health	1
# Legal	0
# Chaplain/Spiritual Support	0
# Rape Crisis Center	0
# Victim Advocate	0
# DoD Safe Helpline	0
# Other	0
# Cases where SAFEs were conducted	3
# Cases where SAFE kits or other needed supplies were not available at time of victim's exam	0
# Service Member victims making an Unrestricted Report for an incident that occurred prior to military service	0
B. APY11-12 MILITARY PROTECTIVE ORDERS (MPO)* AND TRANSFERS - UNRESTRICTED REPORTS	APY11-12 TOTALS
# Military Protective Orders issued during APY11-12	0
# Reported MPO Violations in APY11-12	1
# Reported MPO Violations by Subjects	1
# Reported MPO Violations by Victims of sexual assault	0
# Reported MPO Violations by Both	0
<i>*In accordance with DoD Policy, Military Protective Orders are only issued in Unrestricted Reports. A Restricted Report cannot be made when there is a safety risk for the victim.</i>	
# Unit/Duty transfer requests by Cadet/Midshipman victims of sexual assault	0
# Unit/Duty transfer requests by Cadet/Midshipman victims Denied	0
# Installation Transfer requests by Cadet/Midshipman victims of sexual assault	0
# Installation transfer requests by Cadet/Midshipman victims Denied	0
C. SUPPORT SERVICE REFERRALS FOR Cadet/ Midshipman AND SERVICE MEMBER VICTIMS IN RESTRICTED REPORTS:	APY11-12 TOTALS
# Support service referrals for VICTIMS in the following categories	
# MILITARY Resources (Referred by DoD)	8
# Medical	2
# Mental Health	3
# Legal	3
# Chaplain/Spiritual Support	0
# Rape Crisis Center	0
# Victim Advocate/Uniformed Victim Advocate	0
# DoD Safe Helpline	0
# Other	0
# CIVILIAN Resources (Referred by DoD)	0
# Medical	0
# Mental Health	0
# Legal	0
# Chaplain/Spiritual Support	0
# Rape Crisis Center	0
# Victim Advocate	0
# DoD Safe Helpline	0
# Other	0
# Cases where SAFEs were conducted	0
# Cases where SAFE kits or other needed supplies were not available at time of victim's exam	0
CIVILIAN DATA	
D. SEXUAL ASSAULT SERVICES TO NON-SERVICE MEMBERS who were victimized by Cadet/ Midshipman Subjects (DOD CIVILIANS, DEPENDENTS, CONTRACTORS, ETC)	APY11-12 TOTALS
# Non-Cadet/ Midshipman assisted in the following categories:	0
# Cadet/ Midshipman on Non-Service Member	0
# Non-Cadet/ Midshipman on Non-Cadet/ Midshipman	0
# Unrestricted Subject or Unrestricted Offender on Non-Cadet/ Midshipman	0
Gender of Non-Service Member Assisted	0
# Male	0
# Female	0
# Unknown	0
Age of Non-Service Member Assisted	0
# 16-19	0
# 20-24	0
# 25-34	0
# 35-49	0
# 50-64	0
# 65 and older	0
# Unknown	0
Non-Service Member Type	0
# DoD Civilian	0
# DoD Contractor	0
# Other US Government Civilian	0
# US Civilian	0
# Foreign National	0
# Foreign Military	0
# Unknown	0
# Support service referrals for Non-Service Members in the following categories	
# MILITARY Resources (Referred by DoD)	0
# Medical	0
# Mental Health	0
# Legal	0
# Chaplain/Spiritual Support	0
# Rape Crisis Center	0
# Victim Advocate/Uniformed Victim Advocate	0
# DoD Safe Helpline	0
# Other	0
# CIVILIAN Resources (Referred by DoD)	0
# Medical	0
# Mental Health	0
# Legal	0
# Chaplain/Spiritual Support	0
# Rape Crisis Center	0
# Victim Advocate	0
# DoD Safe Helpline	0
# Other	0
# Cases where SAFEs were conducted	0
# Cases where SAFE kits or other needed supplies were not available at time of victim's exam	0

APY11-12 Sexual Assault Synopsis Report - United States Military Academy																				
No.	Offense Investigated	Location	Subject Grade	Subject Gender	Victim Grade	Victim Gender	Quarter Disposition Completed	Case Disposition	Court Case or Article 15 Outcome	Confinement	Fines and Forfeitures	Reduction in Rank	Court-Martial Discharge or Demerit	Restriction	Hard Labor or Extra Duty	Correctional Custody (NJP Only)	Adverse Administrative Action Type	Administrative Discharge Type	Case Synopsis	
1	Rape	Off Academy Grounds	1st Year	Male	1st Year	Female	Q3	Court-Martial Charge Preferred (Initiated)												Court martial charges preferred, trial pending October 2012.
2	Aggravated Sexual Assault	On Academy Grounds	4th Year	Male	1st Year	Female	Q4	Probable Cause for Only Non-Sexual Assault Offense	YES								General			In Barracks. No alcohol. Subject invited the Victim to his room following consensual, nude video instant messaging session. Subject initiated sexual contact, which the Victim resisted. The Subject proceeded to engage in sexual activity. Subject was suspended from USMA with recommendation for separation for unrelated misbehavior. Separation date: 13 September 2012.
3	Rape	Off Academy Grounds	Civilian	Male	4th Year	Female	Q3	Unknown Subject												Victim was in New York City having dinner with a civilian friend. During the evening Victim and her friend met a few gentlemen at the bar they were dining at, and socialized with them. Victim went to a few more bars with these gentlemen. Victim did not remember at what point she passed out, but she woke up in hotel room with two of the gentlemen she had been drinking with that evening. One of the men was on top of her, and she said "No" and "Get Off," but the man raped her. She eventually pushed the man off of her and got out of the hotel room. She presented at the Keller Army Community Hospital Emergency Room and consented to SAFE exam. CID contacted the Manhattan Special Victims Unit. Victim elected not to cooperate with the investigation.
4	Wrongful Sexual Contact	On Academy Grounds	1st Year	Male	1st Year	Female	Q4	Administrative Discharge									General			Subject slapped the buttocks of Victim as she was returning to her room from the shower. CID investigation revealed the subject had entered another female cadets room on at least one occasion without her permission, and that he constantly "hit on her" and sometimes stood in her way, making her uncomfortable. CDT separated by HQDA in July 2012 following resignation in lieu of misconduct investigation.
5	Rape	On Academy Grounds	3rd Year	Male	3rd Year	Female	Q4	Court-Martial Charge Preferred (Initiated)												Court martial charges preferred, pending Article 32 hearing.
6	Rape	On Academy Grounds	2nd Year	Male	2nd Year	Female	Q4	Insufficient Evidence of Any Offense												Victim alleged that after chatting with subject on Facebook, the two decided to hang out. Victim went to subject's room at 2335, but he was not there. She left a note for him and returned to her room. At 0007 on 3 September 2011, the subject showed up at victim's room, and she let him in. After talking about their day, victim stated that the subject began to flirt. Subject began to touch the victim's breasts outside of her clothes. Victim told the subject to stop. Subject continued to massage the victim's breasts. The victim stood up and the subject led the victim backward, toward the victim's bed. The subject forcibly pinned the victim down by holding his arm across her chest and digitally penetrating her vulva with two of his fingers. After approximately one minute, the victim stated that she hit the subject in the chest and told him to leave. The victim stated that she hit the subject in what had happened. Insufficient evidence existed to establish probable cause of a sexual offense. The subject was received punishment under the Cadet Disciplinary System. Later, the subject was separated for academic failure.
7	Rape	On Academy Grounds	3rd Year	Male	3rd Year	Female	Q4	Cadet Disciplinary System (Initiated)												Victim and Subject were friends for three year stretching back to their time at the preparatory school. Victim invited subject to her room to talk, she could not leave her room because she was on restriction. After being in her room for a few minutes subject began groping victim. She told him to stop. He continued to touch her breast and buttocks and forcibly penetrated her with his fingers. Victim pushed subject off and he left her room. Victim spoke with her boyfriend who reported the assault to the Officer of the Day. The subject resigned in lieu of a Cadet misconduct hearing.
8	Wrongful Sexual Contact	Off Academy Grounds	3rd Year	Male	4th Year	Female	Q4	Court-Martial Charge Preferred (Initiated)	Conviction									UOTHC		Victim and subject were on an academic trip section in government van. The victim awoke to the subject touching her thigh, buttocks, and hand, later the same day, the subject emailed to apologize and asked to meet victim in person to apologize. Court martial conviction in August 2012 resumed in being sentenced to a reprimand for two counts of assault consummated by battery.
9	Wrongful Sexual Contact	Off Academy Grounds	Prep School Candidate	Male	Civilian	Female	Q2	Probable Cause for Only Non-Sexual Assault Offense												After imbibing in alcoholic beverages at a house party, the subject allegedly initiated in undressing the 16-year old sister of a fellow Cadet Candidate. The victim retracted her statement. The subject received punishment for underage drinking.
10	Wrongful Sexual Contact	Off Academy Grounds	4th Year	Female	4th Year	Male		Administrative Discharge												Subject and victim previously dated, and following a break-up, continued to have arguments in front of others. They were under no-contact orders. Subject was found at a misconduct hearing to have assaulted (no-sexual) her by grabbing her hand at a Highland Falls bar, violating a no-contact order, and grabbing/slapping her buttocks at a Newburgh bar (wrongful sexual contact) on 10 February 2012. Subject's separation action is at HQDA for review. General Discharge recommended.
11	Wrongful Sexual Contact	Off Academy Grounds	4th Year	Male	4th Year	Female	Q4	Insufficient Evidence of Any Offense												Subject and victim previously dated, and following a break-up, continued to have arguments in front of others. They were under no-contact order. The victim's claim that the subject had groped or touched him was not substantiated by the CID investigation. No action was taken against the subject.

Formal Sexual Harassment Reports at the US Military Service Academy APY11-12

A form of sex discrimination that involves unwelcome sexual advances, requests for sexual favors, and other verbal or physical conduct of a sexual nature when: a. Submission to such conduct is made either explicitly or implicitly a term or condition of a person's job, pay, or career, or b. Submission to or rejection of such conduct by a person is used as a basis for career or employment decisions affecting that person, or c. Such conduct has the purpose or effect of unreasonably interfering with an individual's work performance or creates an intimidating, hostile, or offensive working environment.	APY11-12 TOTALS
A. Formal Sexual Harassment Complaints (total)	2
# Cadet/Midshipman Complainants	2
# Non-Cadet/Midshipman Complainants	0
B. Location of Incident	2
# On Academy Grounds	2
# Off Academy Grounds	0
# Unidentified location	0
C. # Total Sexual Harassment Investigations opened during APY11-12	2
# Investigations pending completion as of 31 May 12	0
# Completed investigations as of 31 May 12	2
D. Sexual Harassment Details - Length of time between incident and formal report	2
# Reports made within 60 days of the sexual harassment	2
# Reports made more than 60 days following the sexual harassment	0
# Unknown	0
E. # Reports forwarded to General Court Martial Convening Authority	2
# Reports forwarded to GCMCA within 72 Hours	2
# Reports forwarded to GCMCA beyond 72 Hours	0
F. Time of Sexual Harassment Incident	2
# Midnight to 6 am	0
# 6 am to 6 pm	1
# 6 pm to midnight	1
# Unknown	0
G. Day of Sexual Harassment Incident	2
# Sunday	1
# Monday	0
# Tuesday	0
# Wednesday	0
# Thursday	0
# Friday	1
# Saturday	0
# Unknown	0
H. # APY11-12 COMPLETED INVESTIGATIONS	2
# Investigations with more than one complainant, more than one subject, or both	0
# of Subjects in Completed Investigations	2
I. APY11-12 FINAL DISPOSITIONS FOR SUBJECTS IN COMPLETED INVESTIGATIONS	2
# Subjects with Unsubstantiated Complaints	1
# Pending command action as of 31 May 11	0
# Subjects for whom command action was completed of 31 May 12	1
J. # Commander Actions (APY11-12 Subjects)	2
# Courts-martial	0
# Nonjudicial Punishments	0
# Discharges in lieu of courts-martial	0
# Discharges in lieu of disciplinary actions	0
# Cadet Disciplinary System Actions	1
# Other adverse administrative actions	1

Synopses of Formal Sexual Harassment Investigations Involving Cadets/Midshipmen

Number	Month Closed	Subject Status	Subject Gender	Complainant Status	Complainant Gender	Initial Allegation Reported	Misconduct Charged	Disposition	Brief Synopsis of Incident and Outcome
1	Apr-12	Cadet	Male	Cadet	Male	Cadet X reported that his roommate, Cadet Y, has made him feel uncomfortable on several occasions by his actions.	Communicating a threat.	Substantiate.	According to Cadet X, Cadet Y has touched him on several occasions to include his arm, chest, and side by stroking or tickling him. Cadet X also reported that Cadet Y has made verbal comments to him such as "he would break him in before the end of the semester" and also indicated verbally that he would rape him. CDT Y was enrolled in the Respect Mentorship Program, pending the results of a Misconduct Investigation. He was subsequently separated.
2	Feb-12	Active Duty - NCO	Male	Cadet	Female	CDT X detailed events that occurred over the previous 12 months where she felt she was treated differently based on her gender and that SFC Y had created a hostile environment.		Unsubstantiated sexual harassment complaint.	CDT X brought up three instances where SFC Y made her feel uncomfortable and believed that he was being unprofessional and conducting himself inappropriately. She stated that in Spring Semester 2011, SFC Y walked into the female latrine on two separate incidents and saw her naked once in the shower and once getting out of the shower. During Fall Semester, 2012, SFC Y conducted what she believed to be a room search in which he noticed some supplements that she had in the back of one of her drawers. CDT X believes that there was not any reason for the search and was not notified by her Company Security Officer of any security checks. On January 2012, SFC Y had what she believed to be an inappropriate conversation with her about her boyfriend and marriage. SFC Y was suspended from his duties, counseled, received a letter of reprimand and per CDT X's request, she was moved to a different company.