



SDI GRB Appliance for GOES 16-19



The SDI GRB Appliance from the University of Wisconsin-Madison Space Science and Engineering Center (SSEC)

is a complete solution for processing GOES-R Series satellite data from the GRB data stream into mission-compliant netCDF files available via your network. The SDI (SSEC Data Ingestor) appliance combines CSPP Geo software with RabbitMQ, SFTP and ADDE technologies to provide a hands-off network appliance solution for acquiring and serving GOES-R Series data.

CSPP Geo GRB software converts GOES-R Series data from the GRB data stream into mission compliant netCDF files

- 16-channel Advanced Baseline Imager (ABI) Level 1b
- Geostationary Lightning Mapper (GLM) Level 2+
- Space Environment In-Situ Suite (SEISS) Level 1b
- Magnetometer (MAG) Level 1b
- Solar Ultraviolet Imager (SUVI) Level 1b
- Extreme Ultraviolet and X-ray Irradiance Suite (EXIS) Level 1b

AMQP Event Notifications via RabbitMQ service

- Data availability notifications, no need to poll
- Example client-side script for UNIX systems included

SFTP / NFS file access

- GRB netCDF products available via SFTP or NFS
- Application software logs available via SFTP

McIDAS ADDE access (optional)

- 16-channel ABI Level 1b netCDF files available via ADDE
- GLM Level 2+ product available via ADDE

Additional Benefits

- System configured and operationally tested at SSEC/CIMSS
- Support for both local area and air-gapped networks
- System installation / restore accomplished with USB stick

Processing Hardware

- Software installed on standard Dell hardware
- Hardware sized to match processing requirements of software
- Storage sized to accommodate seven days of data

2025 Pricing

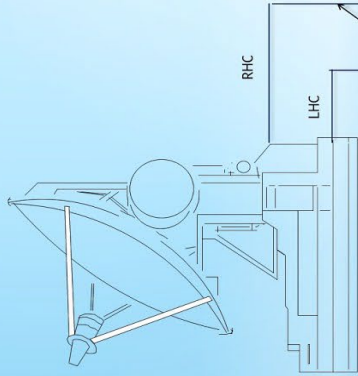
- Appliance options:
 - BASIC: \$30,000 (includes appliance, ingest software, and 1-year technical support)
 - ADDE: \$30,000 (includes BASIC items + ADDE software)
- Technical support options (fees begin one year after delivery):
 - BASIC: \$2,400/year (includes system updates and ingest software updates)
 - ADDE: \$5,400/year (includes BASIC items + ADDE software updates)

User must supply input from a data stream provider like SSEC Satellite Data Services (www.ssec.wisc.edu/datacenter) or from an antenna system providing demodulated GRB packets via direct gigabit Ethernet connection to the SDI GRB Appliance.

*For technical information, contact Scott Mindock: (608) 263-0552 or sdi-info@ssec.wisc.edu
To make an order or request a quote, contact Becky Schaffer: (608) 263-6141 or sdi-info@ssec.wisc.edu*



SDI GRB APPLIANCE



CSPP GEO GRB software converts GOES-R GRB data stream into mission compliant netCDF files

- 16-channel Advanced Baseline Imager (ABI) Level 1b
- Geostationary Lightning Mapper (GLM) Level 2+
- Space Environment In-Situ Suite (SEISS) Level 1b
- Magnetometer (MAG) Level 1b
- Solar Ultraviolet Imager (SUVI) Level 1b
- Extreme Ultraviolet and X-ray Irradiance Suite (EXIS) Level 1b

AMQP Event Notifications via RabbitMQ service

- Data availability notifications, no need to poll
- Example client-side script for UNIX systems included

SFTP file access

- GRB netCDF products available via SFTP
- Application software logs available via SFTP

McIDAS ADDE access (optional)

- 16-channel ABI Level 1b netCDF files available via ADDE while ingesting
- GLM Level 2+ product available via ADDE

Additional Benefits

- System configured and operationally tested at SSEC/CIMSS
- Support for both local area and air-gapped networks
- System installation / restore accomplished with USB stick



Laptop with display software

SDI GRB Appliance