

PRU Optimizing C/C++ Compiler v2.3

User's Guide



Literature Number: SPRUHV7C
July 2014–Revised July 2018

Preface	8
1 Introduction to the Software Development Tools	11
1.1 Software Development Tools Overview	12
1.2 Compiler Interface.....	13
1.3 ANSI/ISO Standard	14
1.4 Output Files	14
1.5 Utilities	14
2 Using the C/C++ Compiler	15
2.1 About the Compiler.....	16
2.2 Invoking the C/C++ Compiler	16
2.3 Changing the Compiler's Behavior with Options	17
2.3.1 Linker Options	23
2.3.2 Frequently Used Options	25
2.3.3 Miscellaneous Useful Options	26
2.3.4 Run-Time Model Options.....	27
2.3.5 Symbolic Debugging Options	28
2.3.6 Specifying Filenames	28
2.3.7 Changing How the Compiler Interprets Filenames	29
2.3.8 Changing How the Compiler Processes C Files	29
2.3.9 Changing How the Compiler Interprets and Names Extensions	29
2.3.10 Specifying Directories.....	30
2.3.11 Assembler Options	30
2.4 Controlling the Compiler Through Environment Variables	31
2.4.1 Setting Default Compiler Options (PRU_C_OPTION).....	31
2.4.2 Naming One or More Alternate Directories (PRU_C_OPTION).....	31
2.5 Controlling the Preprocessor	32
2.5.1 Predefined Macro Names	32
2.5.2 The Search Path for #include Files	33
2.5.3 Support for the #warning and #warn Directives	34
2.5.4 Generating a Preprocessed Listing File (--preproc_only Option)	34
2.5.5 Continuing Compilation After Preprocessing (--preproc_with_compile Option)	34
2.5.6 Generating a Preprocessed Listing File with Comments (--preproc_with_comment Option)	35
2.5.7 Generating Preprocessed Listing with Line-Control Details (--preproc_with_line Option)	35
2.5.8 Generating Preprocessed Output for a Make Utility (--preproc_dependency Option)	35
2.5.9 Generating a List of Files Included with #include (--preproc_includes Option)	35
2.5.10 Generating a List of Macros in a File (--preproc_macros Option)	35
2.6 Passing Arguments to main().....	35
2.7 Understanding Diagnostic Messages.....	36
2.7.1 Controlling Diagnostic Messages	37
2.7.2 How You Can Use Diagnostic Suppression Options	38
2.8 Other Messages	39
2.9 Generating Cross-Reference Listing Information (--gen_cross_reference Option).....	39
2.10 Generating a Raw Listing File (--gen_preprocessor_listing Option).....	39
2.11 Using Inline Function Expansion	41
2.11.1 Inlining Intrinsic Operators	42

2.11.2	Inlining Restrictions	42
2.12	Using Interlist	43
2.13	Enabling Entry Hook and Exit Hook Functions	44
3	Optimizing Your Code	45
3.1	Invoking Optimization	46
3.2	Controlling Code Size Versus Speed	47
3.3	Performing File-Level Optimization (--opt_level=3 option)	47
3.3.1	Creating an Optimization Information File (--gen_opt_info Option)	47
3.4	Program-Level Optimization (--program_level_compile and --opt_level=3 options)	48
3.4.1	Controlling Program-Level Optimization (--call_assumptions Option)	49
3.4.2	Optimization Considerations When Mixing C/C++ and Assembly	50
3.5	Automatic Inline Expansion (--auto_inline Option)	51
3.6	Link-Time Optimization (--opt_level=4 Option)	52
3.6.1	Option Handling	52
3.6.2	Incompatible Types	52
3.7	Accessing Aliased Variables in Optimized Code	53
3.8	Use Caution With asm Statements in Optimized Code	53
3.9	Using the Interlist Feature With Optimization	53
3.10	Debugging and Profiling Optimized Code	54
3.11	What Kind of Optimization Is Being Performed?	54
3.11.1	Cost-Based Register Allocation	55
3.11.2	Alias Disambiguation	55
3.11.3	Branch Optimizations and Control-Flow Simplification	55
3.11.4	Data Flow Optimizations	55
3.11.5	Expression Simplification	56
3.11.6	Inline Expansion of Functions	56
3.11.7	Function Symbol Aliasing	56
3.11.8	Induction Variables and Strength Reduction	56
3.11.9	Loop-Invariant Code Motion	56
3.11.10	Loop Rotation	56
3.11.11	Instruction Scheduling	56
3.11.12	Tail Merging	57
3.11.13	Autoincrement Addressing	57
3.11.14	Epilog Inlining	57
3.11.15	Integer Division With Constant Divisor	57
4	Linking C/C++ Code	58
4.1	Invoking the Linker Through the Compiler (-z Option)	59
4.1.1	Invoking the Linker Separately	59
4.1.2	Invoking the Linker as Part of the Compile Step	60
4.1.3	Disabling the Linker (--compile_only Compiler Option)	60
4.2	Linker Code Optimizations	61
4.2.1	Generating Aggregate Data Subsections (--gen_data_subsections Compiler Option)	61
4.3	Controlling the Linking Process	61
4.3.1	Including the Run-Time-Support Library	61
4.3.2	Run-Time Initialization	62
4.3.3	Global Object Constructors	63
4.3.4	Specifying the Type of Global Variable Initialization	63
4.3.5	Specifying Where to Allocate Sections in Memory	64
4.3.6	A Sample Linker Command File	64
5	C/C++ Language Implementation	66
5.1	Characteristics of PRU C	67
5.1.1	Implementation-Defined Behavior	67
5.2	Characteristics of PRU C++	71

5.3	Using MISRA C 2004	72
5.4	Data Types	73
5.4.1	Size of Enum Types	74
5.5	Keywords	74
5.5.1	The const Keyword.....	74
5.5.2	The near and far Keywords	75
5.5.3	The volatile Keyword.....	75
5.6	C++ Exception Handling.....	76
5.7	Register Variables and Parameters.....	77
5.7.1	Local Register Variables and Parameters	77
5.7.2	Global Register Variables	77
5.8	The <code>__asm</code> Statement	78
5.9	Pragma Directives.....	79
5.9.1	The <code>CALLS</code> Pragma.....	80
5.9.2	The <code>CHECK_MISRA</code> Pragma.....	80
5.9.3	The <code>CODE_SECTION</code> Pragma	81
5.9.4	The <code>DATA_ALIGN</code> Pragma	81
5.9.5	The <code>DATA_SECTION</code> Pragma	82
5.9.6	The Diagnostic Message Pragmas	82
5.9.7	The <code>FORCEINLINE</code> Pragma	83
5.9.8	The <code>FORCEINLINE_RECURSIVE</code> Pragma.....	83
5.9.9	The <code>FUNC_ALWAYS_INLINE</code> Pragma.....	84
5.9.10	The <code>FUNC_CANNOT_INLINE</code> Pragma	84
5.9.11	The <code>FUNC_EXT_CALLED</code> Pragma.....	85
5.9.12	The <code>FUNCTION_OPTIONS</code> Pragma	85
5.9.13	The <code>LOCATION</code> Pragma	85
5.9.14	The <code>MUST_ITERATE</code> Pragma	86
5.9.15	The <code>NOINIT</code> and <code>PERSISTENT</code> Pragmas	87
5.9.16	The <code>NOINLINE</code> Pragma	88
5.9.17	The <code>NO_HOOKS</code> Pragma.....	89
5.9.18	The <code>RESET_MISRA</code> Pragma	89
5.9.19	The <code>RETAIN</code> Pragma	89
5.9.20	The <code>SET_CODE_SECTION</code> and <code>SET_DATA_SECTION</code> Pragmas	90
5.9.21	The <code>UNROLL</code> Pragma	91
5.9.22	The <code>WEAK</code> Pragma	91
5.10	The <code>_Pragma</code> Operator.....	92
5.11	PRU Instruction Intrinsic	93
5.12	Object File Symbol Naming Conventions (Linknames)	94
5.13	Changing the ANSI/ISO C/C++ Language Mode	95
5.13.1	C99 Support (<code>--c99</code>).....	95
5.13.2	Strict ANSI Mode and Relaxed ANSI Mode (<code>--strict_ansi</code> and <code>--relaxed_ansi</code>)	97
5.14	GNU Language Extensions	98
5.14.1	Extensions	98
5.14.2	Function Attributes	99
5.14.3	Variable Attributes	100
5.14.4	Type Attributes	100
5.14.5	Built-In Functions	102
5.15	Compiler Limits.....	102
6	Run-Time Environment.....	103
6.1	Memory Model	104
6.1.1	Sections	104
6.1.2	C/C++ System Stack	105
6.1.3	Dynamic Memory Allocation.....	106

6.2	Object Representation	107
6.2.1	Data Type Storage.....	107
6.2.2	Bit Fields	108
6.2.3	Character String Constants.....	109
6.3	Register Conventions	110
6.4	Function Structure and Calling Conventions	111
6.4.1	How a Function Makes a Call	112
6.4.2	How a Called Function Responds	114
6.4.3	Accessing Arguments and Local Variables.....	114
6.5	Accessing Linker Symbols in C and C++	115
6.6	Interfacing C and C++ With Assembly Language	115
6.6.1	Using Assembly Language Modules With C/C++ Code	115
6.6.2	Accessing Assembly Language Functions From C/C++	116
6.6.3	Accessing Assembly Language Variables From C/C++	116
6.6.4	Sharing C/C++ Header Files With Assembly Source	118
6.6.5	Using Inline Assembly Language	118
6.6.6	Modifying Compiler Output	118
6.7	System Initialization	118
6.7.1	Run-Time Stack.....	119
6.7.2	Automatic Initialization of Variables	119
7	Using Run-Time-Support Functions and Building Libraries	124
7.1	C and C++ Run-Time Support Libraries	125
7.1.1	Linking Code With the Object Library	125
7.1.2	Header Files	125
7.1.3	Modifying a Library Function	125
7.1.4	Support for String Handling.....	126
7.1.5	Minimal Support for Internationalization	126
7.1.6	Allowable Number of Open Files	126
7.1.7	Library Naming Conventions	126
7.2	The C I/O Functions	127
7.2.1	High-Level I/O Functions	128
7.2.2	Overview of Low-Level I/O Implementation	129
7.2.3	Device-Driver Level I/O Functions.....	132
7.2.4	Adding a User-Defined Device Driver for C I/O.....	136
7.2.5	The device Prefix	137
7.3	Handling Reentrancy (_register_lock() and _register_unlock() Functions).....	139
7.4	Library-Build Process.....	140
7.4.1	Required Non-Texas Instruments Software	140
7.4.2	Using the Library-Build Process	140
7.4.3	Extending mklb	143
8	C++ Name Demangler	144
8.1	Invoking the C++ Name Demangler	145
8.2	C++ Name Demangler Options	145
8.3	Sample Usage of the C++ Name Demangler	145
A	Glossary	147
A.1	Terminology	147
B	Revision History	152
B.1	Recent Revisions	152

List of Figures

1-1.	PRU Software Development Flow	12
6-1.	Bit-Field Packing in Big-Endian and Little-Endian Formats	109
6-2.	Use of the Stack During a Function Call.....	112
6-3.	Autoinitialization at Run Time	120
6-4.	Initialization at Load Time	122
6-5.	Constructor Table.....	123

List of Tables

2-1.	Processor Options	17
2-2.	Optimization Options	17
2-3.	Advanced Optimization Options	18
2-4.	Debug Options.....	18
2-5.	Include Options	18
2-6.	Control Options	18
2-7.	Language Options.....	19
2-8.	Parser Preprocessing Options.....	19
2-9.	Predefined Symbols Options	19
2-10.	Diagnostic Message Options	19
2-11.	Run-Time Model Options.....	20
2-12.	Entry/Exit Hook Options	20
2-13.	Assembler Options	21
2-14.	File Type Specifier Options	21
2-15.	Directory Specifier Options.....	21
2-16.	Default File Extensions Options	21
2-17.	Command Files Options.....	22
2-18.	MISRA-C 2004 Options	22
2-19.	Linker Basic Options.....	23
2-20.	File Search Path Options.....	23
2-21.	Command File Preprocessing Options	23
2-22.	Diagnostic Message Options	23
2-23.	Linker Output Options	24
2-24.	Symbol Management Options	24
2-25.	Run-Time Environment Options.....	24
2-26.	Miscellaneous Options.....	25
2-27.	Predefined PRU Macro Names.....	32
2-28.	Raw Listing File Identifiers	40
2-29.	Raw Listing File Diagnostic Identifiers.....	40
3-1.	Interaction Between Debugging and Optimization Options	47
3-2.	Options That You Can Use With --opt_level=3.....	47
3-3.	Selecting a Level for the --gen_opt_info Option.....	48
3-4.	Selecting a Level for the --call_assumptions Option.....	49
3-5.	Special Considerations When Using the --call_assumptions Option	49
3-6.	Interaction Between Debugging and Optimization Options.....	54
4-1.	Initialized Sections Created by the Compiler	64
4-2.	Uninitialized Sections Created by the Compiler	64
5-1.	PRU C/C++ Data Types.....	73
5-2.	Enumerator Types.....	73

5-3.	PRU Compiler Intrinsic for Register Transfers	93
5-4.	Additional PRU Compiler Intrinsic	94
5-5.	GCC Language Extensions	98
6-1.	Summary of Sections and Memory Placement	105
6-2.	Data Representation in Registers and Memory	107
6-3.	How Register Types Are Affected by the Conventions	110
6-4.	Register Usage	110
7-1.	The mklb Program Options	142
B-1.	Revision History	152

Read This First

About This Manual

The *PRU Optimizing C/C++ Compiler User's Guide* explains how to use the following Texas Instruments Code Generation compiler tools:

- Compiler
- Library build utility
- C++ name demangler

The TI compiler accepts C and C++ code conforming to the International Organization for Standardization (ISO) standards for these languages. The compiler supports both the 1989 and 1999 versions of the C language and the 2003 version of the C++ language.

This user's guide discusses the characteristics of the TI C/C++ compiler. It assumes that you already know how to write C/C++ programs. *The C Programming Language* (second edition), by Brian W. Kernighan and Dennis M. Ritchie, describes C based on the ISO C standard. You can use the Kernighan and Ritchie (hereafter referred to as K&R) book as a supplement to this manual. References to K&R C (as opposed to ISO C) in this manual refer to the C language as defined in the first edition of Kernighan and Ritchie's *The C Programming Language*.

Notational Conventions

This document uses the following conventions:

- Program listings, program examples, and interactive displays are shown in a *special typeface*. Interactive displays use a **bold version** of the special typeface to distinguish commands that you enter from items that the system displays (such as prompts, command output, error messages, etc.).

Here is a sample of C code:

```
#include <stdio.h>
main()
{   printf("Hello World\n");
}
```

- In syntax descriptions, instructions, commands, and directives are in a **bold typeface** and parameters are in an *italic typeface*. Portions of a syntax that are in bold should be entered as shown; portions of a syntax that are in italics describe the type of information that should be entered.
- Square brackets ([and]) identify an optional parameter. If you use an optional parameter, you specify the information within the brackets. Unless the square brackets are in the **bold typeface**, do not enter the brackets themselves. The following is an example of a command that has an optional parameter:

```
clpru [options] [filenames] [--run_linker [link_options] [object files]]
```

- Braces ({ and }) indicate that you must choose one of the parameters within the braces; you do not enter the braces themselves. This is an example of a command with braces that are not included in the actual syntax but indicate that you must specify either the `--rom_model` or `--ram_model` option:

```
clpru --run_linker {--rom_model | --ram_model} [filenames] [--output_file= name.out]  
--library= libraryname
```


- In assembler syntax statements, the leftmost column is reserved for the first character of a label or symbol. If the label or symbol is optional, it is usually not shown. If a label or symbol is a required parameter, it is shown starting against the left margin of the box, as in the example below. No instruction, command, directive, or parameter, other than a symbol or label, can begin in the leftmost column.

<i>symbol .usect "section name", size in bytes[, alignment]</i>

- Some directives can have a varying number of parameters. For example, the .byte directive. This syntax is shown as [*, ..., parameter*].
- The PRU 16-bit instruction set is referred to as 16-BIS.
- The PRU 32-bit instruction set is referred to as 32-BIS.

Related Documentation

You can use the following books to supplement this user's guide:

ANSI X3.159-1989, Programming Language - C (Alternate version of the 1989 C Standard), American National Standards Institute

ISO/IEC 9899:1989, International Standard - Programming Languages - C (The 1989 C Standard), International Organization for Standardization

ISO/IEC 9899:1999, International Standard - Programming Languages - C (The 1999 C Standard), International Organization for Standardization

ISO/IEC 14882-2003, International Standard - Programming Languages - C++ (The 2003 C++ Standard), International Organization for Standardization

The C Programming Language (second edition), by Brian W. Kernighan and Dennis M. Ritchie, published by Prentice-Hall, Englewood Cliffs, New Jersey, 1988

The Annotated C++ Reference Manual, Margaret A. Ellis and Bjarne Stroustrup, published by Addison-Wesley Publishing Company, Reading, Massachusetts, 1990

C: A Reference Manual (fourth edition), by Samuel P. Harbison, and Guy L. Steele Jr., published by Prentice Hall, Englewood Cliffs, New Jersey

Programming Embedded Systems in C and C++, by Michael Barr, Andy Oram (Editor), published by O'Reilly & Associates; ISBN: 1565923545, February 1999

Programming in C, Steve G. Kochan, Hayden Book Company

The C++ Programming Language (second edition), Bjarne Stroustrup, published by Addison-Wesley Publishing Company, Reading, Massachusetts, 1990

Tool Interface Standards (TIS) DWARF Debugging Information Format Specification Version 2.0, TIS Committee, 1995

DWARF Debugging Information Format Version 3, DWARF Debugging Information Format Workgroup, Free Standards Group, 2005 (<http://dwarfstd.org>)

DWARF Debugging Information Format Version 4, DWARF Debugging Information Format Workgroup, Free Standards Group, 2010 (<http://dwarfstd.org>)

System V ABI specification (<http://www.sco.com/developers/gabi/>)

Related Documentation From Texas Instruments

See the following resources for further information about the TI Code Generation Tools:

- Texas Instruments Wiki: [Compiler topics](#)
- Texas Instruments E2E Community: [Compiler forum](#)

You can use the following documents to supplement this user's guide:

SPRUHV6 — *PRU Assembly Language Tools User's Guide*. Describes the assembly language tools (assembler, linker, and other tools used to develop assembly language code), assembler directives, macros, common object file format, and symbolic debugging directives for PRU devices.

PRU-ICSS on Texas Instruments Wiki — Serves as a hub for the broad market PRU subsystem collateral and related resources, including software user guides, application notes, training modules, and FAQs,

SPRAAB5 — *The Impact of DWARF on TI Object Files*. Describes the Texas Instruments extensions to the DWARF specification.

Trademarks

Code Composer Studio is a trademark of Texas Instruments.
All other trademarks are the property of their respective owners.

Introduction to the Software Development Tools

Programmable Real-Time Units (PRU) are 32-bit RISC cores. The instruction set is simple and execution times are deterministic. The programmable PRUs provide flexibility in implementing fast real-time responses, specialized data handling operations, custom peripheral interfaces, and in offloading tasks from the other processor cores of the system-on-chip (SoC). PRUs are part of the Programmable Real-Time Unit Subsystem and Industrial Communication Subsystem (PRU-ICSS), which includes two PRU cores, an interrupt controller, local data and instruction memories, internal peripheral modules, and interfaces to capture and manipulate system-wide events and pins.

The Programmable Real-Time Unit (PRU) is supported by a set of software development tools, which includes an optimizing C/C++ compiler, an assembler, a linker, and assorted utilities.

This chapter provides an overview of these tools and introduces the features of the optimizing C/C++ compiler. The assembler and linker are discussed in detail in the *PRU Assembly Language Tools User's Guide*.

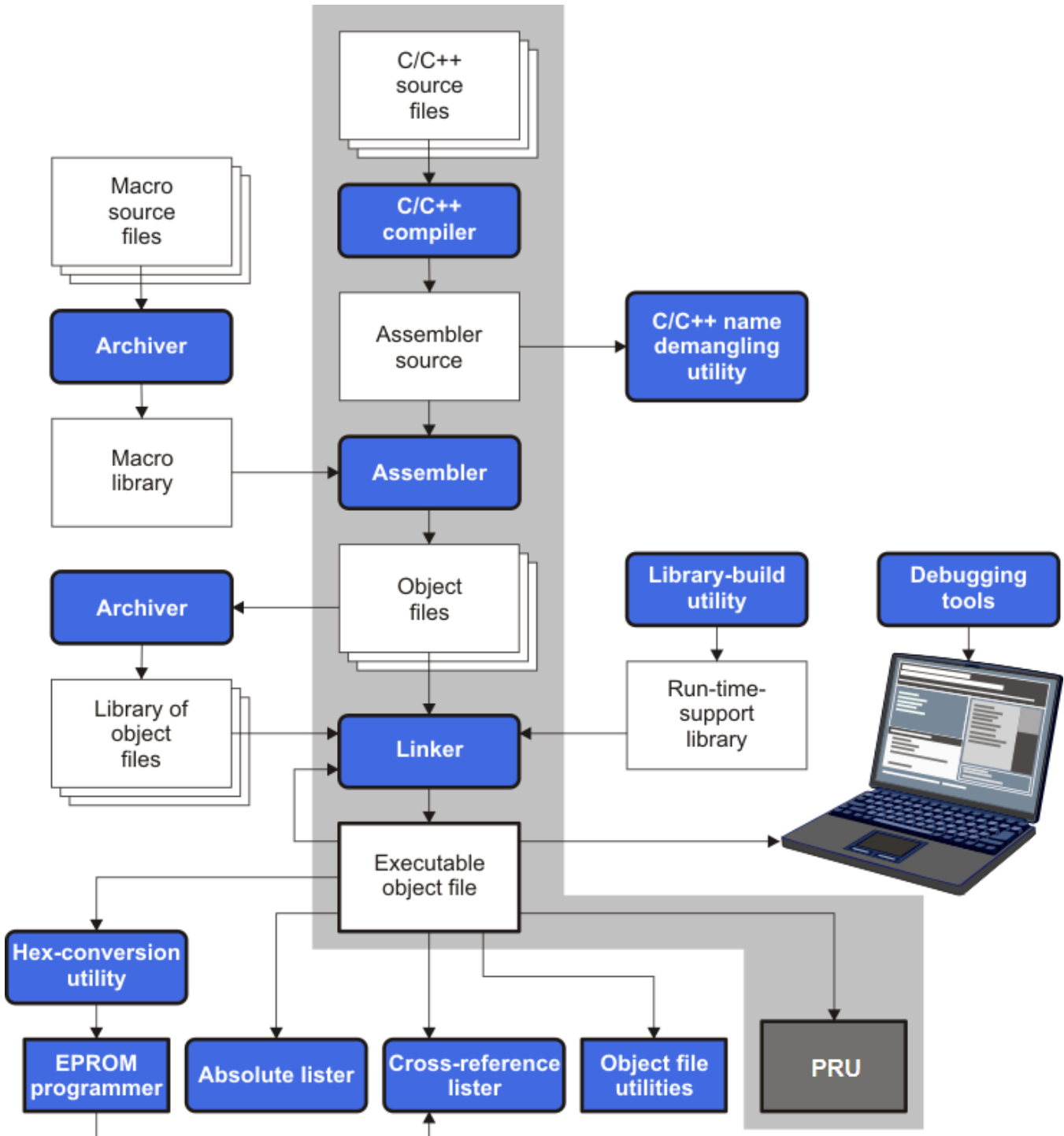
The PRU is optimized for performing embedded tasks that require manipulation of packed memory mapped data structures, handling of system events that have tight real-time constraints and interfacing with systems external to the SoC. The PRU is both very small and very efficient at handling such tasks. For more information about PRU, see the [Texas Instruments Wiki](#).

Topic	Page
1.1 Software Development Tools Overview	12
1.2 Compiler Interface	13
1.3 ANSI/ISO Standard	14
1.4 Output Files	14
1.5 Utilities	14

1.1 Software Development Tools Overview

Figure 1-1 illustrates the software development flow. The shaded portion of the figure highlights the most common path of software development for C language programs. The other portions are peripheral functions that enhance the development process.

Figure 1-1. PRU Software Development Flow



The following list describes the tools that are shown in [Figure 1-1](#):

- The **compiler** accepts C/C++ source code and produces PRU assembly language source code. See [Chapter 2](#).
- The **assembler** translates assembly language source files into machine language relocatable object files. See the *PRU Assembly Language Tools User's Guide*.
- The **linker** combines relocatable object files into a single absolute executable object file. As it creates the executable file, it performs relocation and resolves external references. The linker accepts relocatable object files and object libraries as input. See [Chapter 4](#) for an overview of the linker. See the *PRU Assembly Language Tools User's Guide* for details.
- The **archiver** allows you to collect a group of files into a single archive file, called a *library*. The archiver allows you to modify such libraries by deleting, replacing, extracting, or adding members. One of the most useful applications of the archiver is building a library of object files. See the *PRU Assembly Language Tools User's Guide*.
- The **run-time-support libraries** contain the standard ISO C and C++ library functions, compiler-utility functions, floating-point arithmetic functions, and C I/O functions that are supported by the compiler. See [Chapter 7](#).

The **library-build utility** automatically builds the run-time-support library if compiler and linker options require a custom version of the library. See [Section 7.4](#). Source code for the standard run-time-support library functions for C and C++ is provided in the lib/src subdirectory of the directory where the compiler is installed.

- The **hex conversion utility** converts an object file into other object formats. You can download the converted file to an EPROM programmer. See the *PRU Assembly Language Tools User's Guide*.
- The **absolute lister** accepts linked object files as input and creates .abs files as output. You can assemble these .abs files to produce a listing that contains absolute, rather than relative, addresses. Without the absolute lister, producing such a listing would be tedious and would require many manual operations. See the *PRU Assembly Language Tools User's Guide*.
- The **cross-reference lister** uses object files to produce a cross-reference listing showing symbols, their definitions, and their references in the linked source files. See the *PRU Assembly Language Tools User's Guide*.
- The **C++ name demangler** is a debugging aid that converts names mangled by the compiler back to their original names as declared in the C++ source code. As shown in [Figure 1-1](#), you can use the C++ name demangler on the assembly file that is output by the compiler; you can also use this utility on the assembler listing file and the linker map file. See [Chapter 8](#).
- The **disassembler** decodes object files to show the assembly instructions that they represent. See the *PRU Assembly Language Tools User's Guide*.
- The main product of this development process is an executable object file that can be executed in a **PRU** device.

1.2 Compiler Interface

The compiler is a command-line program named `clpru`. This program can compile, optimize, assemble, and link programs in a single step. Within Code Composer Studio™, the compiler is run automatically to perform the steps needed to build a project.

For more information about compiling a program, see [Section 2.1](#)

The compiler has straightforward calling conventions, so you can write assembly and C functions that call each other. For more information about calling conventions, see [Chapter 6](#).

1.3 ANSI/ISO Standard

The compiler supports both the 1989 and 1999 versions of the C language and the 2003 version of the C++ language. The C and C++ language features in the compiler are implemented in conformance with the following ISO standards:

- **ISO-standard C**

The C compiler supports the 1989 and 1999 versions of the C language.

- **C89.** Compiling with the `--c89` option causes the compiler to conform to the ISO/IEC 9899:1990 C standard, which was previously ratified as ANSI X3.159-1989. The names "C89" and "C90" refer to the same programming language. "C89" is used in this document.
- **C99.** Compiling with the `--c99` option causes the compiler to conform to the ISO/IEC 9899:1999 C standard. This standard supports several features not part of C89, such as inline functions, new data types, and one-line comments beginning with `//`.

The C language is also described in the second edition of Kernighan and Ritchie's *The C Programming Language* (K&R).

- **ISO-standard C++**

The compiler uses the C++03 version of the C++ standard. See the C++ Standard ISO/IEC 14882:2003. The language is also described in Ellis and Stroustrup's *The Annotated C++ Reference Manual* (ARM), but that is not the standard. For a description of *unsupported* C++ features, see [Section 5.2](#).

- **ISO-standard run-time support**

The compiler tools come with an extensive run-time library. Library functions conform to the ISO C/C++ library standard unless otherwise stated. The library includes functions for standard input and output, string manipulation, dynamic memory allocation, data conversion, timekeeping, trigonometry, and exponential and hyperbolic functions. Functions for signal handling are not included, because these are target-system specific. For more information, see [Chapter 7](#).

See [Section 5.13](#) for command line options to select the C or C++ standard your code uses.

1.4 Output Files

The following type of output file is created by the compiler:

- **ELF object files**

Executable and Linking Format (ELF) enables supporting modern language features like early template instantiation and exporting inline functions. ELF is part of the [System V Application Binary Interface \(ABI\)](#).

1.5 Utilities

These features are compiler utilities:

- **Library-build utility**

The library-build utility lets you custom-build object libraries from source for any combination of run-time models. For more information, see [Section 7.4](#).

- **C++ name demangler**

The C++ name demangler (`dempru`) is a debugging aid that translates each mangled name it detects in compiler-generated assembly code, disassembly output, or compiler diagnostic messages to its original name found in the C++ source code. For more information, see [Chapter 8](#).

- **Hex conversion utility**

For stand-alone embedded applications, the compiler has the ability to place all code and initialization data into ROM, allowing C/C++ code to run from reset. The ELF files output by the compiler can be converted to EPROM programmer data files by using the hex conversion utility, as described in the *PRU Assembly Language Tools User's Guide*.

Using the C/C++ Compiler

The compiler translates your source program into machine language object code that the PRU can execute. Source code must be compiled, assembled, and linked to create an executable object file. All of these steps are executed at once by using the compiler.

Topic	Page
2.1 About the Compiler	16
2.2 Invoking the C/C++ Compiler	16
2.3 Changing the Compiler's Behavior with Options	17
2.4 Controlling the Compiler Through Environment Variables	31
2.5 Controlling the Preprocessor	32
2.6 Passing Arguments to main()	35
2.7 Understanding Diagnostic Messages.....	36
2.8 Other Messages	39
2.9 Generating Cross-Reference Listing Information (--gen_cross_reference Option).....	39
2.10 Generating a Raw Listing File (--gen_preprocessor_listing Option).....	39
2.11 Using Inline Function Expansion.....	41
2.12 Using Interlist	43
2.13 Enabling Entry Hook and Exit Hook Functions	44

2.1 About the Compiler

The compiler lets you compile, optimize, assemble, and optionally link in one step. The compiler performs the following steps on one or more source modules:

- The **compiler** accepts C/C++ source code and assembly code. It produces object code. You can compile C, C++, and assembly files in a single command. The compiler uses the filename extensions to distinguish between different file types. See [Section 2.3.9](#) for more information.
- The **linker** combines object files to create object file. The link step is optional, so you can compile and assemble many modules independently and link them later. See [Chapter 4](#) for information about linking the files.

Invoking the Linker

NOTE: By default, the compiler does not invoke the linker. You can invoke the linker by using the `--run_linker (-z)` compiler option. See [Section 4.1.1](#) for details.

For a complete description of the assembler and the linker, see the *PRU Assembly Language Tools User's Guide*.

2.2 Invoking the C/C++ Compiler

To invoke the compiler, enter:

```
clpru [options] [filenames] [--run_linker [link_options] object files]
```

clpru	Command that runs the compiler and the assembler.
<i>options</i>	Options that affect the way the compiler processes input files. The options are listed in Table 2-6 through Table 2-26 .
<i>filenames</i>	One or more C/C++ source files and assembly language source files.
--run_linker (-z)	Option that invokes the linker. The <code>--run_linker</code> option's short form is <code>-z</code> . See Chapter 4 for more information.
<i>link_options</i>	Options that control the linking process.
<i>object files</i>	Names of the object files for the linking process.

The arguments to the compiler are of three types:

- Compiler options
- Link options
- Filenames

The `--run_linker` option indicates linking is to be performed. If the `--run_linker` option is used, any compiler options must precede the `--run_linker` option, and all link options must follow the `--run_linker` option.

Source code filenames must be placed before the `--run_linker` option. Additional object file filenames can be placed after the `--run_linker` option.

For example, if you want to compile two files named `syntab.c` and `file.c`, assemble a third file named `seek.asm`, and link to create an executable program called `myprogram.out`, you will enter:

```
clpru syntab.c file.c seek.asm --run_linker --library=lnk.cmd
      --output_file=myprogram.out
```


2.3 Changing the Compiler's Behavior with Options

Options control the operation of the compiler. This section provides a description of option conventions and an option summary table. It also provides detailed descriptions of the most frequently used options, including options used for type-checking and assembling.

For a help screen summary of the options, enter **clpru** with no parameters on the command line.

The following apply to the compiler options:

- There are typically two ways of specifying a given option. The "long form" uses a two hyphen prefix and is usually a more descriptive name. The "short form" uses a single hyphen prefix and a combination of letters and numbers that are not always intuitive.
- Options are usually case sensitive.
- Individual options cannot be combined.
- An option with a parameter should be specified with an equal sign before the parameter to clearly associate the parameter with the option. For example, the option to undefine a constant can be expressed as `--undefine=name`. Likewise, the option to specify the maximum amount of optimization can be expressed as `-O=3`. You can also specify a parameter directly after certain options, for example `-O3` is the same as `-O=3`. No space is allowed between the option and the optional parameter, so `-O 3` is not accepted.
- Files and options except the `--run_linker` option can occur in any order. The `--run_linker` option must follow all compiler options and precede any linker options.

You can define default options for the compiler by using the `PRU_C_OPTION` environment variable. For a detailed description of the environment variable, see [Section 2.4.1](#).

[Table 2-6](#) through [Table 2-26](#) summarize all options (including link options). Use the references in the tables for more complete descriptions of the options.

Table 2-1. Processor Options

Option	Alias	Effect	Section
<code>--silicon_version={ 0 1 2 3 4 }</code>	<code>-v</code>	Selects the silicon version. The default is <code>--silicon_version=3</code> .	Section 2.3.4

Table 2-2. Optimization Options⁽¹⁾

Option	Alias	Effect	Section
<code>--opt_level=off</code>		Disables all optimization.	Section 3.1
<code>--opt_level=n</code>	<code>-On</code>	Level 0 (<code>-O0</code>) optimizes register usage only. Level 1 (<code>-O1</code>) uses Level 0 optimizations and optimizes locally. Level 2 (<code>-O2</code>) uses Level 1 optimizations and optimizes globally (default). Level 3 (<code>-O3</code>) uses Level 2 optimizations and optimizes the file. () Level 4 (<code>-O4</code>) uses Level 3 optimizations and performs link-time optimization. ()	Section 3.1 , Section 3.3 , Section 3.6
<code>--opt_for_speed[=n]</code>	<code>-mf</code>	Controls the tradeoff between size and speed (0-5 range). If this option is specified without <i>n</i> , the default value is 4. If this option is not specified, the default setting is 1.	Section 3.2
<code>--fp_mode={relaxed strict}</code>		Enables or disables relaxed floating-point mode.	Section 2.3.3
<code>--fp_reassoc={on off}</code>		Enables or disables the reassociation of floating-point arithmetic.	Section 2.3.3
<code>--sat_reassoc={on off}</code>		Enables or disables the reassociation of saturating arithmetic. Default is <code>--sat_reassoc=off</code> .	Section 2.3.3

⁽¹⁾ **Note:** Machine-specific options (see [Table 2-11](#)) can also affect optimization.

Table 2-3. Advanced Optimization Options⁽¹⁾

Option	Alias	Effect	Section
--auto_inline= <i>size</i>	-oi	Sets automatic inlining size (--opt_level=3 only). If <i>size</i> is not specified, the default is 1.	Section 3.5
--call_assumptions= <i>n</i>	-op <i>n</i>	Level 0 (-op0) specifies that the module contains functions and variables that are called or modified from outside the source code provided to the compiler. Level 1 (-op1) specifies that the module contains variables modified from outside the source code provided to the compiler but does not use functions called from outside the source code. Level 2 (-op2) specifies that the module contains no functions or variables that are called or modified from outside the source code provided to the compiler (default). Level 3 (-op3) specifies that the module contains functions that are called from outside the source code provided to the compiler but does not use variables modified from outside the source code.	Section 3.4.1
--gen_opt_info= <i>n</i>	-on <i>n</i>	Level 0 (-on0) disables the optimization information file. Level 1 (-on1) produces an optimization information file. Level 2 (-on2) produces a verbose optimization information file.	Section 3.3.1
--optimizer_interlist	-os	Interlists optimizer comments with assembly statements.	Section 3.9
--program_level_compile	-pm	Combines source files to perform program-level optimization.	Section 3.4
--aliased_variables	-ma	Assumes called functions create hidden aliases (rare).	Section 3.7

⁽¹⁾ **Note:** Machine-specific options (see [Table 2-11](#)) can also affect optimization.

Table 2-4. Debug Options

Option	Alias	Effect	Section
--symdebug:dwarf	-g	Default behavior. Enables symbolic debugging. The generation of debug information no longer impacts optimization. Therefore, generating debug information is enabled by default. If you explicitly use the -g option but do not specify an optimization level, no optimization is performed.	Section 2.3.5 Section 3.10
--symdebug:none		Disables all symbolic debugging.	Section 2.3.5 Section 3.10

Table 2-5. Include Options

Option	Alias	Effect	Section
--include_path= <i>directory</i>	-I	Adds the specified directory to the #include search path.	Section 2.5.2.1
--preinclude= <i>filename</i>		Includes <i>filename</i> at the beginning of compilation.	Section 2.3.3

Table 2-6. Control Options

Option	Alias	Effect	Section
--compile_only	-c	Disables linking (negates --run_linker).	Section 4.1.3
--help	-h	Prints (on the standard output device) a description of the options understood by the compiler.	Section 2.3.2
--run_linker	-z	Causes the linker to be invoked from the compiler command line.	Section 2.3.2
--skip_assembler	-n	Compiles C/C++ source file, producing an assembly language output file. The assembler is not run and no object file is produced.	Section 2.3.2

Table 2-7. Language Options

Option	Alias	Effect	Section
--c89		Processes C files according to the ISO C89 standard.	Section 5.13
--c99		Processes C files according to the ISO C99 standard.	Section 5.13
--c++03		Processes C++ files according to the ISO C++03 standard.	Section 5.13
--cpp_default	-fg	Processes all source files with a C extension as C++ source files.	Section 2.3.7
--exceptions		Enables C++ exception handling.	Section 5.6
--float_operations_allowed={none all 32 64}		Restricts the types of floating point operations allowed.	Section 2.3.3
--gen_cross_reference	-px	Generates a cross-reference listing file (.crl).	Section 2.9
--gen_preprocessor_listing	-pl	Generates a raw listing file (.rl).	Section 2.10
--pending_instantiations=#		Specify the number of template instantiations that may be in progress at any given time. Use 0 to specify an unlimited number.	Section 2.3.4
--plain_char={signed unsigned}	-mc	Specifies how to treat plain chars, default is unsigned.	Section 2.3.4
--relaxed_ansi	-pr	Enables relaxed mode; ignores strict ISO violations. This is on by default. To disable this mode, use the --strict_ansi option.	Section 5.13.2
--rtti	-rtti	Enables C++ run-time type information (RTTI).	--
--strict_ansi	-ps	Enables strict ANSI/ISO mode (for C/C++, not for K&R C). In this mode, language extensions that conflict with ANSI/ISO C/C++ are disabled. In strict ANSI/ISO mode, most ANSI/ISO violations are reported as errors. Violations that are considered discretionary may be reported as warnings instead.	Section 5.13.2

Table 2-8. Parser Preprocessing Options

Option	Alias	Effect	Section
--preproc_dependency[= <i>filename</i>]	-ppd	Performs preprocessing only, but instead of writing preprocessed output, writes a list of dependency lines suitable for input to a standard make utility.	Section 2.5.8
--preproc_includes[= <i>filename</i>]	-ppi	Performs preprocessing only, but instead of writing preprocessed output, writes a list of files included with the #include directive.	Section 2.5.9
--preproc_macros[= <i>filename</i>]	-ppm	Performs preprocessing only. Writes list of predefined and user-defined macros to a file with the same name as the input but with a .pp extension.	Section 2.5.10
--preproc_only	-ppo	Performs preprocessing only. Writes preprocessed output to a file with the same name as the input but with a .pp extension.	Section 2.5.4
--preproc_with_comment	-ppc	Performs preprocessing only. Writes preprocessed output, keeping the comments, to a file with the same name as the input but with a .pp extension.	Section 2.5.6
--preproc_with_compile	-ppa	Continues compilation after preprocessing with any of the -pp<x> options that normally disable compilation.	Section 2.5.5
--preproc_with_line	-ppl	Performs preprocessing only. Writes preprocessed output with line-control information (#line directives) to a file with the same name as the input but with a .pp extension.	Section 2.5.7

Table 2-9. Predefined Symbols Options

Option	Alias	Effect	Section
--define= <i>name</i> [= <i>def</i>]	-D	Predefines <i>name</i> .	Section 2.3.2
--undefine= <i>name</i>	-U	Undefines <i>name</i> .	Section 2.3.2

Table 2-10. Diagnostic Message Options

Option	Alias	Effect	Section
--compiler_revision		Prints out the compiler release revision and exits.	--
--diag_error= <i>num</i>	-pdse	Categorizes the diagnostic identified by <i>num</i> as an error.	Section 2.7.1

Table 2-10. Diagnostic Message Options (continued)

Option	Alias	Effect	Section
--diag_remark= <i>num</i>	-pdsr	Categorizes the diagnostic identified by <i>num</i> as a remark.	Section 2.7.1
--diag_suppress= <i>num</i>	-pds	Suppresses the diagnostic identified by <i>num</i> .	Section 2.7.1
--diag_warning= <i>num</i>	-pdsW	Categorizes the diagnostic identified by <i>num</i> as a warning.	Section 2.7.1
--diag_wrap={on off}		Wrap diagnostic messages (default is on). Note that this command-line option cannot be used within the Code Composer Studio IDE.	
--display_error_number	-pden	Displays a diagnostic's identifiers along with its text. Note that this command-line option cannot be used within the Code Composer Studio IDE.	Section 2.7.1
--emit_warnings_as_errors	-pdew	Treat warnings as errors.	Section 2.7.1
--issue_remarks	-pdr	Issues remarks (non-serious warnings).	Section 2.7.1
--no_warnings	-pdw	Suppresses diagnostic warnings (errors are still issued).	Section 2.7.1
--quiet	-q	Suppresses progress messages (quiet).	--
--section_sizes={on off}		Generates section size information, including sizes for sections containing executable code and constants, constant or initialized data (global and static variables), and uninitialized data. (Default is off if this option is not included on the command line. Default is on if this option is used with no value specified.)	Section 2.7.1
--set_error_limit= <i>num</i>	-pdel	Sets the error limit to <i>num</i> . The compiler abandons compiling after this number of errors. (The default is 100.)	Section 2.7.1
--super_quiet	-qq	Super quiet mode.	--
--tool_version	-version	Displays version number for each tool.	--
--verbose		Display banner and function progress information.	--
--verbose_diagnostics	-pdv	Provides verbose diagnostic messages that display the original source with line-wrap. Note that this command-line option cannot be used within the Code Composer Studio IDE.	Section 2.7.1
--write_diagnostics_file	-pdf	Generates a diagnostic message information file. Compiler only option. Note that this command-line option cannot be used within the Code Composer Studio IDE.	Section 2.7.1

Table 2-11. Run-Time Model Options

Option	Alias	Effect	Section
--endian={ big little }		Specify the endianness of both code and data. If not specified, compiler defaults to --endian=little.	Section 2.3.4
--gen_data_subsections={on off}		Place all aggregate data (arrays, structs, and unions) into subsections. This gives the linker more control over removing unused data during the final link step. The default is on.	Section 4.2.1
--hardware_mac={on off}		Enables use of the hardware MAC available on some PRU cores. Defaults to --hardware_mac=off.	Section 2.3.4
--mem_model:data={ near far }		Specifies data access model. When not specified, compiler defaults to --mem_model:data=near.	Section 5.5.2
--printf_support={nofloat full minimal}		Enables support for smaller, limited versions of the printf function family (sprintf, fprintf, etc.) and the scanf function family (sscanf, fscanf, etc.) run-time-support functions.	Section 2.3.3

Table 2-12. Entry/Exit Hook Options

Option	Alias	Effect	Section
--entry_hook[= <i>name</i>]		Enables entry hooks.	Section 2.13
--entry_parm={none name address}		Specifies the parameters to the function to the --entry_hook option.	Section 2.13
--exit_hook[= <i>name</i>]		Enables exit hooks.	Section 2.13
--exit_parm={none name address}		Specifies the parameters to the function to the --exit_hook option.	Section 2.13
--remove_hooks_when_inlining		Removes entry/exit hooks for auto-inlined functions.	Section 2.13

Table 2-13. Assembler Options

Option	Alias	Effect	Section
--keep_asm	-k	Keeps the assembly language (.asm) file.	Section 2.3.11
--asm_listing	-al	Generates an assembly listing file.	Section 2.3.11
--c_src_interlist	-ss	Interlists C source and assembly statements.	Section 2.12 Section 3.9
--src_interlist	-s	Interlists optimizer comments (if available) and assembly source statements; otherwise interlists C and assembly source statements.	Section 2.3.2
--absolute_listing	-aa	Enables absolute listing.	Section 2.3.11
--asm_define= <i>name</i> [= <i>def</i>]	-ad	Sets the <i>name</i> symbol.	Section 2.3.11
--asm_dependency	-apd	Performs preprocessing; lists only assembly dependencies.	Section 2.3.11
--asm_includes	-api	Performs preprocessing; lists only included #include files.	Section 2.3.11
--asm_undefine= <i>name</i>	-au	Undefines the predefined constant <i>name</i> .	Section 2.3.11
--asm_listing_cross_reference	-ax	Generates the cross-reference file.	Section 2.3.11
--include_file= <i>filename</i>	-ahi	Includes the specified file for the assembly module.	Section 2.3.11

Table 2-14. File Type Specifier Options

Option	Alias	Effect	Section
--asm_file= <i>filename</i>	-fa	Identifies <i>filename</i> as an assembly source file regardless of its extension. By default, the compiler and assembler treat .asm files as assembly source files.	Section 2.3.7
--c_file= <i>filename</i>	-fc	Identifies <i>filename</i> as a C source file regardless of its extension. By default, the compiler treats .c files as C source files.	Section 2.3.7
--cpp_file= <i>filename</i>	-fp	Identifies <i>filename</i> as a C++ file, regardless of its extension. By default, the compiler treats .C, .cpp, .cc and .cxx files as a C++ files.	Section 2.3.7
--obj_file= <i>filename</i>	-fo	Identifies <i>filename</i> as an object code file regardless of its extension. By default, the compiler and linker treat .obj files as object code files.	Section 2.3.7

Table 2-15. Directory Specifier Options

Option	Alias	Effect	Section
--abs_directory= <i>directory</i>	-fb	Specifies an absolute listing file directory. By default, the compiler uses the .obj directory.	Section 2.3.10
--asm_directory= <i>directory</i>	-fs	Specifies an assembly file directory. By default, the compiler uses the current directory.	Section 2.3.10
--list_directory= <i>directory</i>	-ff	Specifies an assembly listing file and cross-reference listing file directory. By default, the compiler uses the .obj directory.	Section 2.3.10
--obj_directory= <i>directory</i>	-fr	Specifies an object file directory. By default, the compiler uses the current directory.	Section 2.3.10
--output_file= <i>filename</i>	-fe	Specifies a compilation output file name; can override --obj_directory.	Section 2.3.10
--pp_directory= <i>dir</i>		Specifies a preprocessor file directory. By default, the compiler uses the current directory.	Section 2.3.10
--temp_directory= <i>directory</i>	-ft	Specifies a temporary file directory. By default, the compiler uses the current directory.	Section 2.3.10

Table 2-16. Default File Extensions Options

Option	Alias	Effect	Section
--asm_extension=[.] <i>extension</i>	-ea	Sets a default extension for assembly source files.	Section 2.3.9
--c_extension=[.] <i>extension</i>	-ec	Sets a default extension for C source files.	Section 2.3.9
--cpp_extension=[.] <i>extension</i>	-ep	Sets a default extension for C++ source files.	Section 2.3.9
--listing_extension=[.] <i>extension</i>	-es	Sets a default extension for listing files.	Section 2.3.9
--obj_extension=[.] <i>extension</i>	-eo	Sets a default extension for object files.	Section 2.3.9

Table 2-17. Command Files Options

Option	Alias	Effect	Section
<code>--cmd_file=filename</code>	<code>-@</code>	Interprets contents of a file as an extension to the command line. Multiple <code>-@</code> instances can be used.	Section 2.3.2

Table 2-18. MISRA-C 2004 Options

Option	Alias	Effect	Section
<code>--check_misra[={all required advisory none rulespec}]</code>		Enables checking of the specified MISRA-C:2004 rules. Default is all.	Section 2.3.3
<code>--misra_advisory={error warning remark suppress}</code>		Sets the diagnostic severity for advisory MISRA-C:2004 rules.	Section 2.3.3
<code>--misra_required={error warning remark suppress}</code>		Sets the diagnostic severity for required MISRA-C:2004 rules.	Section 2.3.3

2.3.1 Linker Options

The following tables list the linker options. See [Chapter 4](#) of this document and the *PRU Assembly Language Tools User's Guide* for details on these options.

Table 2-19. Linker Basic Options

Option	Alias	Description
--run_linker	-z	Enables linking.
--output_file= <i>file</i>	-o	Names the executable output file. The default filename is a .out file.
--map_file= <i>file</i>	-m	Produces a map or listing of the input and output sections, including holes, and places the listing in <i>file</i> .
--stack_size= <i>size</i>	[-]-stack	Sets C system stack size to <i>size</i> bytes and defines a global symbol that specifies the stack size. Default = 256 bytes.
--heap_size= <i>size</i>	[-]-heap	Sets heap size (for the dynamic memory allocation in C) to <i>size</i> bytes and defines a global symbol that specifies the heap size. Default = 256 bytes.

Table 2-20. File Search Path Options

Option	Alias	Description
--library= <i>file</i>	-l	Names an archive library or link command <i>file</i> as linker input.
--search_path= <i>pathname</i>	-I	Alters library-search algorithms to look in a directory named with <i>pathname</i> before looking in the default location. This option must appear before the --library option.
--priority	-priority	Satisfies unresolved references by the first library that contains a definition for that symbol.
--reread_libs	-x	Forces rereading of libraries, which resolves back references.
--disable_auto_rts		Disables the automatic selection of a run-time-support library. See Section 4.3.1.1 .

Table 2-21. Command File Preprocessing Options

Option	Alias	Description
--define= <i>name=value</i>		Predefines <i>name</i> as a preprocessor macro.
--undefine= <i>name</i>		Removes the preprocessor macro <i>name</i> .
--disable_pp		Disables preprocessing for command files.

Table 2-22. Diagnostic Message Options

Option	Alias	Description
--diag_error= <i>num</i>		Categorizes the diagnostic identified by <i>num</i> as an error.
--diag_remark= <i>num</i>		Categorizes the diagnostic identified by <i>num</i> as a remark.
--diag_suppress= <i>num</i>		Suppresses the diagnostic identified by <i>num</i> .
--diag_warning= <i>num</i>		Categorizes the diagnostic identified by <i>num</i> as a warning.
--display_error_number		Displays a diagnostic's identifiers along with its text.
--emit_warnings_as_errors	-pdew	Treat warnings as errors.
--issue_remarks		Issues remarks (non-serious warnings).
--no_demangle		Disables demangling of symbol names in diagnostic messages.
--no_warnings		Suppresses diagnostic warnings (errors are still issued).
--set_error_limit= <i>count</i>		Sets the error limit to <i>count</i> . The linker abandons linking after this number of errors. (The default is 100.)
--verbose_diagnostics		Provides verbose diagnostic messages that display the original source with line-wrap.
--warn_sections	-w	Displays a message when an undefined output section is created.

Table 2-23. Linker Output Options

Option	Alias	Description
--absolute_exe	-a	Produces an absolute, executable object file. This is the default; if neither --absolute_exe nor --relocatable is specified, the linker acts as if --absolute_exe were specified.
--code_endian={ big little }		Specify the endianness for code sections. The default is that code endianness is the same as the data endianness, which defaults to little-endian. For relocatable object files, the endianness must be the same for code and data. However, for memory stored on the PRU core itself, code and data endianness can be different.
--ecc={ on off }		Enable linker-generated Error Correcting Codes (ECC). The default is off.
--ecc:data_error		Inject specified errors into the output file for testing.
--ecc:ecc_error		Inject specified errors into the Error Correcting Code (ECC) for testing.
--mapfile_contents=attribute		Controls the information that appears in the map file.
--relocatable	-r	Produces a nonexecutable, relocatable output object file.
--rom		Creates a ROM object.
--run_abs	-abs	Produces an absolute listing file.
--xml_link_info=file		Generates a well-formed XML <i>file</i> containing detailed information about the result of a link.

Table 2-24. Symbol Management Options

Option	Alias	Description
--entry_point=symbol	-e	Defines a global symbol that specifies the primary entry point for the executable object file.
--globalize=pattern		Changes the symbol linkage to global for symbols that match <i>pattern</i> .
--hide=pattern		Hides symbols that match the specified <i>pattern</i> .
--localize=pattern		Make the symbols that match the specified <i>pattern</i> local.
--make_global=symbol	-g	Makes <i>symbol</i> global (overrides -h).
--make_static	-h	Makes all global symbols static.
--no_sym_merge	-b	Disables merging of types in symbolic debugging information.
--no_symtable	-s	Strips symbol table information and line number entries from the executable object file.
--retain		Retains a list of sections that otherwise would be discarded.
--scan_libraries	-scanlibs	Scans all libraries for duplicate symbol definitions.
--symbol_map=refname=defname		Specifies a symbol mapping; references to the <i>refname</i> symbol are replaced with references to the <i>defname</i> symbol.
--undef_sym=symbol	-u	Adds <i>symbol</i> to the symbol table as an unresolved symbol.
--unhide=pattern		Excludes symbols that match the specified <i>pattern</i> from being hidden.

Table 2-25. Run-Time Environment Options

Option	Alias	Description
--arg_size=size	--args	Reserve <i>size</i> bytes for the argc/argv memory area.
--cinit_compression[=type]		Specifies the type of compression to apply to the C auto initialization data. The default if this option is specified with no <i>type</i> is lzss for Lempel-Ziv-Storer-Szymanski compression.
--copy_compression[=type]		Compresses data copied by linker copy tables. The default if this option is specified with no <i>type</i> is lzss for Lempel-Ziv-Storer-Szymanski compression.
--fill_value=value	-f	Sets default fill value for holes within output sections
--ram_model	-cr	Initializes variables at load time.
--rom_model	-c	Autoinitializes variables at run time.

Table 2-26. Miscellaneous Options

Option	Alias	Description
--compress_dwarf[=off on]		Aggressively reduces the size of DWARF information from input object files. Default is on.
--linker_help	[-]help	Displays information about syntax and available options.
--preferred_order= <i>function</i>		Prioritizes placement of functions.
--strict_compatibility[=off on]		Performs more conservative and rigorous compatibility checking of input object files. Default is on.
--unused_section_elimination[=off on]		Eliminates sections that are not needed in the executable module. Default is on.
--zero_init=[off on]		Controls preinitialization of uninitialized variables. Default is on.

2.3.2 Frequently Used Options

Following are detailed descriptions of options that you will probably use frequently:

- c_src_interlist** Invokes the interlist feature, which interweaves original C/C++ source with compiler-generated assembly language. The interlisted C statements may appear to be out of sequence. You can use the interlist feature with the optimizer by combining the --optimizer_interlist and --c_src_interlist options. See [Section 3.9](#). The --c_src_interlist option can have a negative performance and/or code size impact.
- cmd_file=*filename*** Appends the contents of a file to the option set. You can use this option to avoid limitations on command line length or C style comments imposed by the host operating system. Use a # or ; at the beginning of a line in the command file to include comments. You can also include comments by delimiting them with /* and */. To specify options, surround hyphens with quotation marks. For example, "--quiet. You can use the --cmd_file option multiple times to specify multiple files. For instance, the following indicates that file3 should be compiled as source and file1 and file2 are --cmd_file files:

```
clpru --cmd_file=file1 --cmd_file=file2 file3
```
- compile_only** Suppresses the linker and overrides the --run_linker option, which specifies linking. The --compile_only option's short form is -c. Use this option when you have --run_linker specified in the PRU_C_OPTION environment variable and you do not want to link. See [Section 4.1.3](#).
- define=*name*[=*def*]** Predefines the constant *name* for the preprocessor. This is equivalent to inserting #define *name* *def* at the top of each C source file. If the optional[=*def*] is omitted, the *name* is set to 1. The --define option's short form is -D.
 If you want to define a quoted string and keep the quotation marks, do one of the following:
- For Windows, use --define=*name*="*string def*". For example, --define=car="sedan"
 - For UNIX, use --define=*name*="*string def*". For example, --define=car="sedan"
 - For Code Composer Studio, enter the definition in a file and include that file with the --cmd_file option.
- help** Displays the syntax for invoking the compiler and lists available options. If the --help option is followed by another option or phrase, detailed information about the option or phrase is displayed. For example, to see information about debugging options use --help debug.

--include_path=directory	Adds <i>directory</i> to the list of directories that the compiler searches for #include files. The --include_path option's short form is -I. You can use this option several times to define several directories; be sure to separate the --include_path options with spaces. If you do not specify a directory name, the preprocessor ignores the --include_path option. See Section 2.5.2.1 .
--keep_asm	Retains the assembly language output from the compiler or assembly optimizer. Normally, the compiler deletes the output assembly language file after assembly is complete. The --keep_asm option's short form is -k.
--quiet	Suppresses banners and progress information from all the tools. Only source filenames and error messages are output. The --quiet option's short form is -q.
--run_linker	Runs the linker on the specified object files. The --run_linker option and its parameters follow all other options on the command line. All arguments that follow --run_linker are passed to the linker. The --run_linker option's short form is -z. See Section 4.1 .
--skip_assembler	Compiles only. The specified source files are compiled but not assembled or linked. The --skip_assembler option's short form is -n. This option overrides --run_linker. The output is assembly language output from the compiler.
--src_interlist	Invokes the interlist feature, which interweaves optimizer comments or C/C++ source with assembly source. If the optimizer is invoked (--opt_level= <i>n</i> option), optimizer comments are interlisted with the assembly language output of the compiler, which may rearrange code significantly. If the optimizer is not invoked, C/C++ source statements are interlisted with the assembly language output of the compiler, which allows you to inspect the code generated for each C/C++ statement. The --src_interlist option implies the --keep_asm option. The --src_interlist option's short form is -s.
--tool_version	Prints the version number for each tool in the compiler. No compiling occurs.
--undefine=name	Undefines the predefined constant <i>name</i> . This option overrides any --define options for the specified constant. The --undefine option's short form is -U.
--verbose	Displays progress information and toolset version while compiling. Resets the --quiet option.

2.3.3 Miscellaneous Useful Options

Following are detailed descriptions of miscellaneous options:

--check_misra={all required advisory none rulespec}	Displays the specified amount or type of MISRA-C documentation. This option must be used if you want to enable use of the CHECK_MISRA and RESET_MISRA pragmas within the source code. The <i>rulespec</i> parameter is a comma-separated list of specifiers. See Section 5.3 for details.
--float_operations_allowed={none all 32 64}	Restricts the type of floating point operations allowed in the application. The default is all. If set to none, 32, or 64, the application is checked for operations that will be performed at runtime. For example, if --float_operations_allowed=32 is specified on the command line, the compiler issues an error if a double precision operation will be generated. This can be used to ensure that double precision operations are not accidentally introduced into an application. The checks are performed after relaxed mode optimizations have been performed, so illegal operations that are completely removed result in no diagnostic messages.

--fp_mode ={relaxed strict}	The default floating-point mode is strict. To enable relaxed floating-point mode use the <code>--fp_mode=relaxed</code> option. Relaxed floating-point mode causes double-precision floating-point computations and storage to be converted to integers where possible. This behavior does not conform with ISO, but it results in faster code, with some loss in accuracy. The following specific changes occur in relaxed mode: <ul style="list-style-type: none"> • Division by a constant is converted to inverse multiplication. • Note that the PRU does not provide hardware floating point support. Floating point emulation routines are provided.
--fp_reassoc ={on off}	Enables or disables the reassociation of floating-point arithmetic. Because floating-point values are of limited precision, and because floating-point operations round, floating-point arithmetic is neither associative nor distributive. For instance, $(1 + 3e100) - 3e100$ is not equal to $1 + (3e100 - 3e100)$. If strictly following IEEE 754, the compiler cannot, in general, reassociate floating-point operations. Using <code>--fp_reassoc=on</code> allows the compiler to perform the algebraic reassociation, at the cost of a small amount of precision for some operations.
--misra_advisory ={error warning remark suppress}	Sets the diagnostic severity for advisory MISRA-C:2004 rules.
--misra_required ={error warning remark suppress}	Sets the diagnostic severity for required MISRA-C:2004 rules.
--preinclude = <i>filename</i>	Includes the source code of <i>filename</i> at the beginning of the compilation. This can be used to establish standard macro definitions. The filename is searched for in the directories on the include search list. The files are processed in the order in which they were specified.
--printf_support ={full nofloat minimal}	Enables support for smaller, limited versions of the printf function family (sprintf, fprintf, etc.) and the scanf function family (sscanf, fscanf, etc.) run-time-support functions. The valid values are: <ul style="list-style-type: none"> • full: Supports all format specifiers. This is the default. • nofloat: Excludes support for printing and scanning floating-point values. Supports all format specifiers except %a, %A, %f, %F, %g, %G, %e, and %E. • minimal: Supports the printing and scanning of integer, char, or string values without width or precision flags. Specifically, only the %, %d, %o, %c, %s, and %x format specifiers are supported There is no run-time error checking to detect if a format specifier is used for which support is not included. The <code>--printf_support</code> option precedes the <code>--run_linker</code> option, and must be used when performing the final link.
--sat_reassoc ={on off}	Enables or disables the reassociation of saturating arithmetic.

2.3.4 Run-Time Model Options

These options are specific to the PRU toolset. See the referenced sections for more information. PRU-specific assembler options are listed in [Section 2.3.11](#).

--endian ={ big little }	Designates big- or little-endian format for compiled code and data. By default, little-endian format is used. (The linker provides a <code>--code_endian</code> option, which can be used in certain situations to make the code endianness different from the data endianness.)
-----------------------------------	----------------------------------------------------------------------------------------------------------------------------------------------------------------------------------------------------------------------------------------------------------------------------------

--hardware_mac ={ on off }	Enables use of the hardware multiply accumulate (MAC) feature available on some PRU cores. This feature can be used to speed up 32-bit multiplication or multiply-accumulate instructions that result in a 64-bit result. If not specified, compiler defaults to <code>--hardware_mac=off</code> .
--mem_model:data ={ near far }	Specifies data access model as near or far. The default is near. See Section 5.5.2 .
--pending_instantiations =#	Specify the number of template instantiations that may be in progress at any given time. Use 0 to specify an unlimited number.
--plain_char ={signed unsigned}	Specifies how to treat C/C++ plain char variables. Default is signed.
--silicon_version = <i>num</i>	Selects the processor version. The <i>num</i> parameter can be: 0, 1, 2, 3, or 4. The default is 3.

2.3.5 Symbolic Debugging Options

The following options are used to select symbolic debugging:

--symdebug:dwarf	(Default) Generates directives that are used by the C/C++ source-level debugger and enables assembly source debugging in the assembler. The <code>--symdebug:dwarf</code> option's short form is <code>-g</code> . See Section 3.10 . For more information on the DWARF debug format, see <i>The DWARF Debugging Standard</i> .
--symdebug:none	Disables all symbolic debugging output. This option is not recommended; it prevents debugging and most performance analysis capabilities.

2.3.6 Specifying Filenames

The input files that you specify on the command line can be C source files, C++ source files, assembly source files, or object files. The compiler uses filename extensions to determine the file type.

Extension	File Type
.asm, .abs, or .s* (extension begins with s)	Assembly source
.c	C source
.C	Depends on operating system
.cpp, .cxx, .cc	C++ source
.obj .o* .dll .so	Object

NOTE: Case Sensitivity in Filename Extensions

Case sensitivity in filename extensions is determined by your operating system. If your operating system is not case sensitive, a file with a `.C` extension is interpreted as a C file. If your operating system is case sensitive, a file with a `.C` extension is interpreted as a C++ file.

For information about how you can alter the way that the compiler interprets individual filenames, see [Section 2.3.7](#). For information about how you can alter the way that the compiler interprets and names the extensions of assembly source and object files, see [Section 2.3.10](#).

You can use wildcard characters to compile or assemble multiple files. Wildcard specifications vary by system; use the appropriate form listed in your operating system manual. For example, to compile all of the files in a directory with the extension `.cpp`, enter the following:

```
c1pru *.cpp
```

NOTE: No Default Extension for Source Files is Assumed

If you list a filename called `example` on the command line, the compiler assumes that the entire filename is `example` not `example.c`. No default extensions are added onto files that do not contain an extension.

2.3.7 Changing How the Compiler Interprets Filenames

You can use options to change how the compiler interprets your filenames. If the extensions that you use are different from those recognized by the compiler, you can use the filename options to specify the type of file. You can insert an optional space between the option and the filename. Select the appropriate option for the type of file you want to specify:

<code>--asm_file=filename</code>	for an assembly language source file
<code>--c_file=filename</code>	for a C source file
<code>--cpp_file=filename</code>	for a C++ source file
<code>--obj_file=filename</code>	for an object file

For example, if you have a C source file called `file.s` and an assembly language source file called `assy`, use the `--asm_file` and `--c_file` options to force the correct interpretation:

```
clpru --c_file=file.s --asm_file=assy
```

You cannot use the filename options with wildcard specifications.

2.3.8 Changing How the Compiler Processes C Files

The `--cpp_default` option causes the compiler to process C files as C++ files. By default, the compiler treats files with a `.c` extension as C files. See [Section 2.3.9](#) for more information about filename extension conventions.

2.3.9 Changing How the Compiler Interprets and Names Extensions

You can use options to change how the compiler program interprets filename extensions and names the extensions of the files that it creates. The filename extension options must precede the filenames they apply to on the command line. You can use wildcard specifications with these options. An extension can be up to nine characters in length. Select the appropriate option for the type of extension you want to specify:

<code>--asm_extension=new extension</code>	for an assembly language file
<code>--c_extension=new extension</code>	for a C source file
<code>--cpp_extension=new extension</code>	for a C++ source file
<code>--listing_extension=new extension</code>	sets default extension for listing files
<code>--obj_extension=new extension</code>	for an object file

The following example assembles the file `fit.rrr` and creates an object file named `fit.o`:

```
clpru --asm_extension=.rrr --obj_extension=.o fit.rrr
```

The period (`.`) in the extension is optional. You can also write the example above as:

```
clpru --asm_extension=rrr --obj_extension=o fit.rrr
```

2.3.10 Specifying Directories

By default, the compiler program places the object, assembly, and temporary files that it creates into the current directory. If you want the compiler program to place these files in different directories, use the following options:

--abs_directory=directory	Specifies the destination directory for absolute listing files. The default is to use the same directory as the object file directory. For example: <code>clpru --abs_directory=d:\abso_list</code>
--asm_directory=directory	Specifies a directory for assembly files. For example: <code>clpru --asm_directory=d:\assembly</code>
--list_directory=directory	Specifies the destination directory for assembly listing files and cross-reference listing files. The default is to use the same directory as the object file directory. For example: <code>clpru --list_directory=d:\listing</code>
--obj_directory=directory	Specifies a directory for object files. For example: <code>clpru --obj_directory=d:\object</code>
--output_file=filename	Specifies a compilation output file name; can override --obj_directory . For example: <code>clpru --output_file=transfer</code>
--pp_directory=directory	Specifies a preprocessor file directory for object files (default is .). For example: <code>clpru --pp_directory=d:\preproc</code>
--temp_directory=directory	Specifies a directory for temporary intermediate files. For example: <code>clpru --temp_directory=d:\temp</code>

2.3.11 Assembler Options

Following are assembler options that you can use with the compiler. For more information, see the *PRU Assembly Language Tools User's Guide*.

--absolute_listing	Generates a listing with absolute addresses rather than section-relative offsets.
--asm_define=name[=def]	Predefines the constant <i>name</i> for the assembler; produces a .set directive for a constant or an .arg directive for a string. If the optional [=def] is omitted, the <i>name</i> is set to 1. If you want to define a quoted string and keep the quotation marks, do one of the following: <ul style="list-style-type: none"> • For Windows, use <code>--asm_define=name="\string def"</code>. For example: <code>--asm_define=car="\sedan"</code> • For UNIX, use <code>--asm_define=name="string def"</code>. For example: <code>-asm_define=car='sedan'</code> • For Code Composer Studio, enter the definition in a file and include that file with the --cmd_file option.
--asm_dependency	Performs preprocessing for assembly files, but instead of writing preprocessed output, writes a list of dependency lines suitable for input to a standard make utility. The list is written to a file with the same name as the source file but with a .ppa extension.
--asm_includes	Performs preprocessing for assembly files, but instead of writing preprocessed output, writes a list of files included with the #include directive. The list is written to a file with the same name as the source file but with a .ppa extension.
--asm_listing	Produces an assembly listing file.
--asm_undefine=name	Undefines the predefined constant <i>name</i> . This option overrides any -asm_define options for the specified name.
--asm_listing_cross_reference	Produces a symbolic cross-reference in the listing file.

--include_file=filename Includes the specified file for the assembly module; acts like an .include directive. The file is included before source file statements. The included file does not appear in the assembly listing files.

2.4 Controlling the Compiler Through Environment Variables

An environment variable is a system symbol that you define and assign a string to. Setting environment variables is useful when you want to run the compiler repeatedly without re-entering options, input filenames, or pathnames.

NOTE: **C_OPTION** and **C_DIR** -- The C_OPTION and C_DIR environment variables are deprecated. Use device-specific environment variables instead.

2.4.1 Setting Default Compiler Options (PRU_C_OPTION)

You might find it useful to set the compiler, assembler, and linker default options using the PRU_C_OPTION environment variable. If you do this, the compiler uses the default options and/or input filenames that you name PRU_C_OPTION every time you run the compiler.

Setting the default options with these environment variables is useful when you want to run the compiler repeatedly with the same set of options and/or input files. After the compiler reads the command line and the input filenames, it looks for the PRU_C_OPTION environment variable and processes it.

The table below shows how to set the PRU_C_OPTION environment variable. Select the command for your operating system:

Operating System	Enter
UNIX (Bourne shell)	PRU_C_OPTION=" option₁ [option₂ . . .]"; export PRU_C_OPTION
Windows	set PRU_C_OPTION= option₁ [option₂ . . .]

Environment variable options are specified in the same way and have the same meaning as they do on the command line. For example, if you want to always run quietly (the --quiet option), enable C/C++ source interlisting (the --src_interlist option), and link (the --run_linker option) for Windows, set up the PRU_C_OPTION environment variable as follows:

```
set PRU_C_OPTION=--quiet --src_interlist --run_linker
```

In the following examples, each time you run the compiler, it runs the linker. Any options following --run_linker on the command line or in PRU_C_OPTION are passed to the linker. Thus, you can use the PRU_C_OPTION environment variable to specify default compiler and linker options and then specify additional compiler and linker options on the command line. If you have set --run_linker in the environment variable and want to compile only, use the compiler --compile_only option. These additional examples assume PRU_C_OPTION is set as shown above:

```
clpru *.c ; compiles and links
clpru --compile_only *.c ; only compiles
clpru *.c --run_linker lnk.cmd ; compiles and links using a command file
clpru --compile_only *.c --run_linker lnk.cmd
; only compiles (--compile_only overrides --run_linker)
```

For details on compiler options, see [Section 2.3](#). For details on linker options, see the *Linker Description* chapter in the *PRU Assembly Language Tools User's Guide*.

2.4.2 Naming One or More Alternate Directories (PRU_C_OPTION)

The linker uses the PRU_C_OPTION environment variable to name alternate directories that contain object libraries. The command syntaxes for assigning the environment variable are:

Operating System	Enter
UNIX (Bourne shell)	PRU_C_OPTION=" pathname₁ ; pathname₂ ;..."; export PRU_C_OPTION
Windows	set PRU_C_OPTION= pathname₁ ; pathname₂ ;...

The *pathnames* are directories that contain input files. The pathnames must follow these constraints:

- Pathnames must be separated with a semicolon.
- Spaces or tabs at the beginning or end of a path are ignored. For example, the space before and after the semicolon in the following is ignored:

```
set PRU_C_DIR=c:\path\one\to\tools ; c:\path\two\to\tools
```

- Spaces and tabs are allowed within paths to accommodate Windows directories that contain spaces. For example, the pathnames in the following are valid:

```
set PRU_C_DIR=c:\first path\to\tools;d:\second path\to\tools
```

The environment variable remains set until you reboot the system or reset the variable by entering:

Operating System	Enter
UNIX (Bourne shell)	unset PRU_C_DIR
Windows	set PRU_C_DIR=

2.5 Controlling the Preprocessor

This section describes features that control the preprocessor, which is part of the parser. A general description of C preprocessing is in section A12 of K&R. The C/C++ compiler includes standard C/C++ preprocessing functions, which are built into the first pass of the compiler. The preprocessor handles:

- Macro definitions and expansions
- #include files
- Conditional compilation
- Various preprocessor directives, specified in the source file as lines beginning with the # character

The preprocessor produces self-explanatory error messages. The line number and the filename where the error occurred are printed along with a diagnostic message.

2.5.1 Predefined Macro Names

The compiler maintains and recognizes the predefined macro names listed in [Table 2-27](#).

Table 2-27. Predefined PRU Macro Names

Macro Name	Description
__DATE__ ⁽¹⁾	Expands to the compilation date in the form <i>mmm dd yyyy</i>
__FILE__ ⁽¹⁾	Expands to the current source filename
__LINE__ ⁽¹⁾	Expands to the current line number
__STDC__ ⁽¹⁾	Defined to indicate that compiler conforms to ISO C Standard. See Section 5.1 for exceptions to ISO C conformance.
__STDC_VERSION__	C standard macro
__TI_COMPILER_VERSION__	Defined to a 7-9 digit integer, depending on if X has 1, 2, or 3 digits. The number does not contain a decimal. For example, version 3.2.1 is represented as 3002001. The leading zeros are dropped to prevent the number being interpreted as an octal.
__TI_GNU_ATTRIBUTE_SUPPORT__	Defined if GCC extensions are enabled (which is the default)
__TI_STRICT_ANSI_MODE__	Defined if strict ANSI/ISO mode is enabled (the --strict_ansi option is used); otherwise, it is undefined.
__TI_STRICT_FP_MODE__	Defined to 1 if --fp_mode=strict is used (or implied); otherwise, it is undefined.
__TIME__ ⁽¹⁾	Expands to the compilation time in the form " <i>hh:mm:ss</i> "
__INLINE	Expands to 1 if optimization is used (--opt_level or -O option); undefined otherwise.

⁽¹⁾ Specified by the ISO standard

You can use the names listed in [Table 2-27](#) in the same manner as any other defined name. For example,

```
printf ( "%s %s" , __TIME__ , __DATE__);
```

translates to a line such as:

```
printf ("%s %s" , "13:58:17" , "Jan 14 1997");
```

2.5.2 The Search Path for #include Files

The #include preprocessor directive tells the compiler to read source statements from another file. When specifying the file, you can enclose the filename in double quotes or in angle brackets. The filename can be a complete pathname, partial path information, or a filename with no path information.

- If you enclose the filename in double quotes (" "), the compiler searches for the file in the following directories in this order:
 1. The directory of the file that contains the #include directive and in the directories of any files that contain that file.
 2. Directories named with the --include_path option.
 3. Directories set with the PRU_C_OPTION environment variable.
- If you enclose the filename in angle brackets (< >), the compiler searches for the file in the following directories in this order:
 1. Directories named with the --include_path option.
 2. Directories set with the PRU_C_OPTION environment variable.

See [Section 2.5.2.1](#) for information on using the --include_path option. See [Section 2.4.2](#) for more information on input file directories.

2.5.2.1 Adding a Directory to the #include File Search Path (--include_path Option)

The --include_path option names an alternate directory that contains #include files. The --include_path option's short form is -I. The format of the --include_path option is:

```
--include_path=directory1 [--include_path= directory2 ...]
```

There is no limit to the number of --include_path options per invocation of the compiler; each --include_path option names one *directory*. In C source, you can use the #include directive without specifying any directory information for the file; instead, you can specify the directory information with the --include_path option.

For example, assume that a file called source.c is in the current directory. The file source.c contains the following directive statement:

```
#include "alt.h"
```

Assume that the complete pathname for alt.h is:

UNIX	/tools/files/alt.h
Windows	c:\tools\files\alt.h

The table below shows how to invoke the compiler. Select the command for your operating system:

Operating System	Enter
UNIX	<code>clpru --include_path=/tools/files source.c</code>
Windows	<code>clpru --include_path=c:\tools\files source.c</code>

NOTE: Specifying Path Information in Angle Brackets

If you specify the path information in angle brackets, the compiler applies that information relative to the path information specified with `--include_path` options and the `PRU_C_OPTION` environment variable.

For example, if you set up `PRU_C_OPTION` with the following command:

```
PRU_C_DIR "/usr/include;/usr/ucb"; export PRU_C_DIR
```

or invoke the compiler with the following command:

```
clpru --include_path=/usr/include file.c
```

and `file.c` contains this line:

```
#include <sys/proc.h>
```

the result is that the included file is in the following path:

```
/usr/include/sys/proc.h
```

2.5.3 Support for the `#warning` and `#warn` Directives

In strict ANSI mode, the TI preprocessor allows you to use the `#warn` directive to cause the preprocessor to issue a warning and continue preprocessing. The `#warn` directive is equivalent to the `#warning` directive supported by GCC, IAR, and other compilers.

If you use the `--relaxed_ansi` option (on by default), both the `#warn` and `#warning` preprocessor directives are supported.

2.5.4 Generating a Preprocessed Listing File (`--preproc_only` Option)

The `--preproc_only` option allows you to generate a preprocessed version of your source file with an extension of `.pp`. The compiler's preprocessing functions perform the following operations on the source file:

- Each source line ending in a backslash (`\`) is joined with the following line.
- Trigraph sequences are expanded.
- Comments are removed.
- `#include` files are copied into the file.
- Macro definitions are processed.
- All macros are expanded.
- All other preprocessing directives, including `#line` directives and conditional compilation, are expanded.

The `--preproc_only` option is useful when creating a source file for a technical support case or to ask a question about your code. It allows you to reduce the test case to a single source file, because `#include` files are incorporated when the preprocessor runs.

2.5.5 Continuing Compilation After Preprocessing (`--preproc_with_compile` Option)

If you are preprocessing, the preprocessor performs preprocessing only; it does not compile your source code. To override this feature and continue to compile after your source code is preprocessed, use the `--preproc_with_compile` option along with the other preprocessing options. For example, use `--preproc_with_compile` with `--preproc_only` to perform preprocessing, write preprocessed output to a file with a `.pp` extension, and compile your source code.

2.5.6 **Generating a Preprocessed Listing File with Comments (--preproc_with_comment Option)**

The `--preproc_with_comment` option performs all of the preprocessing functions except removing comments and generates a preprocessed version of your source file with a `.pp` extension. Use the `--preproc_with_comment` option instead of the `--preproc_only` option if you want to keep the comments.

2.5.7 **Generating Preprocessed Listing with Line-Control Details (--preproc_with_line Option)**

By default, the preprocessed output file contains no preprocessor directives. To include the `#line` directives, use the `--preproc_with_line` option. The `--preproc_with_line` option performs preprocessing only and writes preprocessed output with line-control information (`#line` directives) to a file named as the source file but with a `.pp` extension.

2.5.8 **Generating Preprocessed Output for a Make Utility (--preproc_dependency Option)**

The `--preproc_dependency` option performs preprocessing only. Instead of writing preprocessed output, it writes a list of dependency lines suitable for input to a standard make utility. If you do not supply an optional filename, the list is written to a file with the same name as the source file but a `.pp` extension.

2.5.9 **Generating a List of Files Included with #include (--preproc_includes Option)**

The `--preproc_includes` option performs preprocessing only, but instead of writing preprocessed output, writes a list of files included with the `#include` directive. If you do not supply an optional filename, the list is written to a file with the same name as the source file but with a `.pp` extension.

2.5.10 **Generating a List of Macros in a File (--preproc_macros Option)**

The `--preproc_macros` option generates a list of all predefined and user-defined macros. If you do not supply an optional filename, the list is written to a file with the same name as the source file but with a `.pp` extension.

The output includes only those files directly included by the source file. Predefined macros are listed first and indicated by the comment `/* Predefined */`. User-defined macros are listed next and indicated by the source filename.

2.6 **Passing Arguments to main()**

Some programs pass arguments to `main()` via `argc` and `argv`. This presents special challenges in an embedded program that is not run from the command line. In general, `argc` and `argv` are made available to your program through the `.args` section. There are various ways to populate the contents of this section for use by your program.

To cause the linker to allocate an `.args` section of the appropriate size, use the `--arg_size=size` linker option. This option tells the linker to allocate an uninitialized section named `.args`, which can be used by the loader to pass arguments from the command line of the loader to the program. The `size` is the number of bytes to be allocated. When you use the `--arg_size` option, the linker defines the `__c_args__` symbol to contain the address of the `.args` section.

It is the responsibility of the loader to populate the `.args` section. The loader and the target boot code can use the `.args` section and the `__c_args__` symbol to determine whether and how to pass arguments from the host to the target program. The format of the arguments is an array of pointers to `char` on the target. Due to variations in loaders, it is not specified how the loader determines which arguments to pass to the target.

If you are using Code Composer Studio to run your application, you can use the Scripting Console tool to populate the `.args` section. To open this tool, choose **View > Scripting Console** from the CCS menus. You can use the `loadProg` command to load an object file and its associated symbol table into memory and pass an array of arguments to `main()`. These arguments are automatically written to the allocated `.args` section.

The `loadProg` syntax is as follows, where `file` is an executable file and `args` is an object array of arguments. Use JavaScript to declare the array of arguments before using this command.

```
loadProg(file, args)
```

The `.args` section is loaded with the following data for non-SYS/BIOS-based executables, where each element in the `argv[]` array contains a string corresponding to that argument:

```
Int argc;
Char * argv[0];
Char * argv[1];
...
Char * argv[n];
```

For SYS/BIOS-based executables, the elements in the `.args` section are as follows:

```
Int argc;
Char ** argv; /* points to argv[0] */
Char * envp; /* ignored by loadProg command */
Char * argv[0];
Char * argv[1];
...
Char * argv[n];
```

For more details, see the "[Scripting Console](#)" topic in the TI Processors Wiki.

2.7 Understanding Diagnostic Messages

One of the primary functions of the compiler and linker is to report diagnostic messages for the source program. A diagnostic message indicates that something may be wrong with the program. When the compiler or linker detects a suspect condition, it displays a message in the following format:

"file.c", line n : diagnostic severity : diagnostic message

<i>"file.c"</i>	The name of the file involved
line n :	The line number where the diagnostic applies
<i>diagnostic severity</i>	The diagnostic message severity (severity category descriptions follow)
<i>diagnostic message</i>	The text that describes the problem

Diagnostic messages have a severity, as follows:

- A **fatal error** indicates a problem so severe that the compilation cannot continue. Examples of such problems include command-line errors, internal errors, and missing include files. If multiple source files are being compiled, any source files after the current one will not be compiled.
- An **error** indicates a violation of the syntax or semantic rules of the C/C++ language. Compilation may continue, but object code is not generated.
- A **warning** indicates something that is likely to be a problem, but cannot be proven to be an error. For example, the compiler emits a warning for an unused variable. An unused variable does not affect program execution, but its existence suggests that you might have meant to use it. Compilation continues and object code is generated (if no errors are detected).
- A **remark** is less serious than a warning. It may indicate something that is a potential problem in rare cases, or the remark may be strictly informational. Compilation continues and object code is generated (if no errors are detected). By default, remarks are not issued. Use the `--issue_remarks` compiler option to enable remarks.

Diagnostic messages are written to standard error with a form like the following example:

```
"test.c", line 5: error: a break statement may only be used within a loop or switch
    break;
    ^
```

By default, the source code line is not printed. Use the `--verbose_diagnostics` compiler option to display the source line and the error position. The above example makes use of this option.

The message identifies the file and line involved in the diagnostic, and the source line itself (with the position indicated by the `^` character) follows the message. If several diagnostic messages apply to one source line, each diagnostic has the form shown; the text of the source line is displayed several times, with an appropriate position indicated each time.

Long messages are wrapped to additional lines, when necessary.

You can use the `--display_error_number` command-line option to request that the diagnostic's numeric identifier be included in the diagnostic message. When displayed, the diagnostic identifier also indicates whether the diagnostic can have its severity overridden on the command line. If the severity can be overridden, the diagnostic identifier includes the suffix `-D` (for *discretionary*); otherwise, no suffix is present. For example:

```
"Test_name.c", line 7: error #64-D: declaration does not declare anything
    struct {};
    ^
"Test_name.c", line 9: error #77: this declaration has no storage class or type specifier
    xxxxx;
    ^
```

Because errors are determined to be discretionary based on the severity in a specific context, an error can be discretionary in some cases and not in others. All warnings and remarks are discretionary.

For some messages, a list of entities (functions, local variables, source files, etc.) is useful; the entities are listed following the initial error message:

```
"test.c", line 4: error: more than one instance of overloaded function "f"
    matches the argument list:
    function "f(int)"
    function "f(float)"
    argument types are: (double)
    f(1.5);
    ^
```

In some cases, additional context information is provided. Specifically, the context information is useful when the front end issues a diagnostic while doing a template instantiation or while generating a constructor, destructor, or assignment operator function. For example:

```
"test.c", line 7: error: "A::A()" is inaccessible
    B x;
    ^
    detected during implicit generation of "B::B()" at line 7
```

Without the context information, it is difficult to determine to what the error refers.

2.7.1 Controlling Diagnostic Messages

The C/C++ compiler provides diagnostic options to control compiler- and linker-generated diagnostic messages. The diagnostic options must be specified before the `--run_linker` option.

- `--diag_error=num`** Categorizes the diagnostic identified by *num* as an error. To determine the numeric identifier of a diagnostic message, use the `--display_error_number` option first in a separate compile. Then use `--diag_error=num` to recategorize the diagnostic as an error. You can only alter the severity of discretionary diagnostic messages.
- `--diag_remark=num`** Categorizes the diagnostic identified by *num* as a remark. To determine the numeric identifier of a diagnostic message, use the `--display_error_number` option first in a separate compile. Then use `--diag_remark=num` to recategorize the diagnostic as a remark. You can only alter the severity of discretionary diagnostic messages.
- `--diag_suppress=num`** Suppresses the diagnostic identified by *num*. To determine the numeric identifier of a diagnostic message, use the `--display_error_number` option first in a separate compile. Then use `--diag_suppress=num` to suppress the diagnostic. You can only suppress discretionary diagnostic messages.
- `--diag_warning=num`** Categorizes the diagnostic identified by *num* as a warning. To determine the numeric identifier of a diagnostic message, use the `--display_error_number` option first in a separate compile. Then use `--diag_warning=num` to recategorize the diagnostic as a warning. You can only alter the severity of discretionary diagnostic messages.

--display_error_number	Displays a diagnostic's numeric identifier along with its text. Use this option in determining which arguments you need to supply to the diagnostic suppression options (<code>--diag_suppress</code> , <code>--diag_error</code> , <code>--diag_remark</code> , and <code>--diag_warning</code>). This option also indicates whether a diagnostic is discretionary. A discretionary diagnostic is one whose severity can be overridden. A discretionary diagnostic includes the suffix <code>-D</code> ; otherwise, no suffix is present. See Section 2.7 .
--emit_warnings_as_errors	Treats all warnings as errors. This option cannot be used with the <code>--no_warnings</code> option. The <code>--diag_remark</code> option takes precedence over this option. This option takes precedence over the <code>--diag_warning</code> option.
--issue_remarks	Issues remarks (non-serious warnings), which are suppressed by default.
--no_warnings	Suppresses diagnostic warnings (errors are still issued).
--set_error_limit=num	Sets the error limit to <i>num</i> , which can be any decimal value. The compiler abandons compiling after this number of errors. (The default is 100.)
--verbose_diagnostics	Provides verbose diagnostic messages that display the original source with line-wrap and indicate the position of the error in the source line. Note that this command-line option cannot be used within the Code Composer Studio IDE.
--write_diagnostics_file	Produces a diagnostic message information file with the same source file name with an <code>.err</code> extension. (The <code>--write_diagnostics_file</code> option is not supported by the linker.) Note that this command-line option cannot be used within the Code Composer Studio IDE.

2.7.2 How You Can Use Diagnostic Suppression Options

The following example demonstrates how you can control diagnostic messages issued by the compiler. You control the linker diagnostic messages in a similar manner.

```
int one();
int I;
int main()
{
    switch (I){
        case 1;
            return one ();
            break;
        default:
            return 0;
            break;
    }
}
```

If you invoke the compiler with the `--quiet` option, this is the result:

```
"err.c", line 9: warning: statement is unreachable
"err.c", line 12: warning: statement is unreachable
```

Because it is standard programming practice to include `break` statements at the end of each case arm to avoid the fall-through condition, these warnings can be ignored. Using the `--display_error_number` option, you can find out the diagnostic identifier for these warnings. Here is the result:

```
[err.c]
"err.c", line 9: warning #111-D: statement is unreachable
"err.c", line 12: warning #111-D: statement is unreachable
```

Next, you can use the diagnostic identifier of 111 as the argument to the `--diag_remark` option to treat this warning as a remark. This compilation now produces no diagnostic messages (because remarks are disabled by default).

NOTE: You can suppress any non-fatal errors, but be careful to make sure you only suppress diagnostic messages that you understand and are known not to affect the correctness of your program.

2.8 Other Messages

Other error messages that are unrelated to the source, such as incorrect command-line syntax or inability to find specified files, are usually fatal. They are identified by the symbol >> preceding the message.

2.9 Generating Cross-Reference Listing Information (--gen_cross_reference Option)

The `--gen_cross_reference` option generates a cross-reference listing file that contains reference information for each identifier in the source file. (The `--gen_cross_reference` option is separate from `--asm_listing_cross_reference`, which is an assembler rather than a compiler option.) The cross-reference listing file has the same name as the source file with a `.crl` extension.

The information in the cross-reference listing file is displayed in the following format:

sym-id name X filename line number column number

<i>sym-id</i>	An integer uniquely assigned to each identifier
<i>name</i>	The identifier name
<i>X</i>	One of the following values:
	D Definition
	d Declaration (not a definition)
	M Modification
	A Address taken
	U Used
	C Changed (used and modified in a single operation)
	R Any other kind of reference
	E Error; reference is indeterminate
<i>filename</i>	The source file
<i>line number</i>	The line number in the source file
<i>column number</i>	The column number in the source file

2.10 Generating a Raw Listing File (--gen_preprocessor_listing Option)

The `--gen_preprocessor_listing` option generates a raw listing file that can help you understand how the compiler is preprocessing your source file. Whereas the preprocessed listing file (generated with the `--preproc_only`, `--preproc_with_comment`, `--preproc_with_line`, and `--preproc_dependency` preprocessor options) shows a preprocessed version of your source file, a raw listing file provides a comparison between the original source line and the preprocessed output. The raw listing file has the same name as the corresponding source file with an `.rl` extension.

The raw listing file contains the following information:

- Each original source line
- Transitions into and out of include files
- Diagnostic messages
- Preprocessed source line if nontrivial processing was performed (comment removal is considered trivial; other preprocessing is nontrivial)

Each source line in the raw listing file begins with one of the identifiers listed in [Table 2-28](#).

Table 2-28. Raw Listing File Identifiers

Identifier	Definition
N	Normal line of source
X	Expanded line of source. It appears immediately following the normal line of source if nontrivial preprocessing occurs.
S	Skipped source line (false #if clause)
L	Change in source position, given in the following format: L <i>line number filename key</i> Where <i>line number</i> is the line number in the source file. The <i>key</i> is present only when the change is due to entry/exit of an include file. Possible values of <i>key</i> are: 1 = entry into an include file 2 = exit from an include file

The `--gen_preprocessor_listing` option also includes diagnostic identifiers as defined in [Table 2-29](#).

Table 2-29. Raw Listing File Diagnostic Identifiers

Diagnostic Identifier	Definition
E	Error
F	Fatal
R	Remark
W	Warning

Diagnostic raw listing information is displayed in the following format:

<i>S filename line number column number diagnostic</i>

S	One of the identifiers in Table 2-29 that indicates the severity of the diagnostic
<i>filename</i>	The source file
<i>line number</i>	The line number in the source file
<i>column number</i>	The column number in the source file
<i>diagnostic</i>	The message text for the diagnostic

Diagnostic messages after the end of file are indicated as the last line of the file with a column number of 0. When diagnostic message text requires more than one line, each subsequent line contains the same file, line, and column information but uses a lowercase version of the diagnostic identifier. For more information about diagnostic messages, see [Section 2.7](#).

2.11 Using Inline Function Expansion

When an inline function is called, a copy of the C/C++ source code for the function is inserted at the point of the call. This is known as inline function expansion, commonly called *function inlining* or just *inlining*. Inline function expansion can speed up execution by eliminating function call overhead. This is particularly beneficial for very small functions that are called frequently. Function inlining involves a tradeoff between execution speed and code size, because the code is duplicated at each function call site. Large functions that are called in many places are poor candidates for inlining.

NOTE: Excessive Inlining Can Degrade Performance

Excessive inlining can make the compiler dramatically slower and degrade the performance of generated code.

Function inlining is triggered by the following situations:

- The use of built-in intrinsic operations. Intrinsic operations look like function calls, and are inlined automatically, even though no function body exists.
- Use of the `inline` keyword or the equivalent `__inline` keyword. Functions declared with the `inline` keyword may be inlined by the compiler if you set `--opt_level=0` or greater. The `inline` keyword is a suggestion from the programmer to the compiler. Even if your optimization level is high, inlining is still optional for the compiler. The compiler decides whether to inline a function based on the length of the function, the number of times it is called, your `--opt_for_speed` setting, and any contents of the function that disqualify it from inlining (see [Section 2.11.2](#)). Functions can be inlined at `--opt_level=0` or above if the function body is visible in the same module or if `-pm` is also used and the function is visible in one of the modules being compiled. Functions may be inlined at link time if the file containing the definition and the call site were both compiled with `--opt_level=4`. Functions defined as both static and inline are more likely to be inlined.
- When `--opt_level=3` or greater is used, the compiler may automatically inline eligible functions even if they are not declared as inline functions. The same list of decision factors listed for functions explicitly defined with the `inline` keyword is used. For more about automatic function inlining, see [Section 3.5](#).
- The pragma `FUNC_ALWAYS_INLINE` and the equivalent `always_inline` attribute force a function to be inlined (where it is legal to do so) unless `--opt_level=off`. That is, the pragma `FUNC_ALWAYS_INLINE` forces function inlining even if the function is not declared as inline and the `--opt_level=0` or `--opt_level=1`.
- The `FORCEINLINE` pragma forces functions to be inlined in the annotated statement. That is, it has no effect on those functions in general, only on function calls in a single statement. The `FORCEINLINE_RECURSIVE` pragma forces inlining not only of calls visible in the statement, but also in the inlined bodies of calls from that statement.
- The `--disable_inlining` option prevents any inlining. The pragma `FUNC_CANNOT_INLINE` prevents a function from being inlined. The `NOINLINE` pragma prevents calls within a single statement from being inlined. (`NOINLINE` is the inverse of the `FORCEINLINE` pragma.)

NOTE: Function Inlining Can Greatly Increase Code Size

Function inlining increases code size, especially inlining a function that is called in a number of places. Function inlining is optimal for functions that are called only from a small number of places and for small functions.

The semantics of the `inline` keyword in C code follow the C99 standard. The semantics of the `inline` keyword in C++ code follow the C++ standard.

The `inline` keyword is supported in all C++ modes, in relaxed ANSI mode for all C standards, and in strict ANSI mode for C99. It is disabled in strict ANSI mode for C89, because it is a language extension that could conflict with a strictly conforming program. If you want to define inline functions while in strict ANSI C89 mode, use the alternate keyword `__inline`.

Compiler options that affect inlining are: `--opt_level`, `--auto_inline`, `--remove_hooks_when_inlining`, `--opt_for_speed`, and `--disable_inlining`.

2.11.1 Inlining Intrinsic Operators

The compiler has a number of built-in function-like operations called intrinsics. The implementation of an intrinsic function is handled by the compiler, which substitutes a sequence of instructions for the function call. This is similar to the way inline functions are handled; however, because the compiler knows the code of the intrinsic function, it can perform better optimization.

Intrinsics are inlined whether or not you use the optimizer. For details about intrinsics, and a list of the intrinsics, see [Section 5.11](#). In addition to those listed, `abs` and `memcpy` are implemented as intrinsics.

2.11.2 Inlining Restrictions

The compiler makes decisions about which functions to inline based on the factors mentioned in [Section 2.11](#). In addition, there are several restrictions that can disqualify a function from being inlined by automatic inlining or inline keyword-based inlining.

The compiler will leave calls as they are if the function:

- Has a different number of arguments than the call site
- Has an argument whose type is incompatible with the corresponding call site argument
- Is not declared inline and returns void but its return value is needed

The compiler will also not inline a call if the function has features that create difficult situations for the compiler:

- Has a variable-length argument list
- Never returns
- Is a recursive or nonleaf function that exceeds the depth limit
- Is not declared inline and contains an `asm()` statement that is not a comment
- Is an interrupt function
- Is the `main()` function
- Is not declared inline and will require too much stack space for local array or structure variables
- Contains a volatile local variable or argument
- Is a C++ function that contains a `catch`
- Is not defined in the current compilation unit and `-O4` optimization is not used

A call in a statement that is annotated with a `NOINLINE` pragma will not be inlined, regardless of other indications (including a `FUNC_ALWAYS_INLINE` pragma or `always_inline` attribute on the called function).

A call in a statement that is annotated with a `FORCEINLINE` pragma will always be inlined, if it is not disqualified for one of the reasons above, even if the called function has a `FUNC_CANNOT_INLINE` pragma or `cannot_inline` attribute.

In other words, a statement-level pragma overrides a function-level pragma or attribute. If both `NOINLINE` and `FORCEINLINE` apply to the same statement, then the one that appears first will be used and the rest will be ignored.

2.12 Using Interlist

The compiler tools include a feature that interlists C/C++ source statements into the assembly language output of the compiler. The interlist feature enables you to inspect the assembly code generated for each C statement. The interlist behaves differently, depending on whether or not the optimizer is used, and depending on which options you specify.

The easiest way to invoke the interlist feature is to use the `--c_src_interlist` option. To compile and run the interlist on a program called `function.c`, enter:

```
clpru --c_src_interlist function
```

The `--c_src_interlist` option prevents the compiler from deleting the interlisted assembly language output file. The output assembly file, `function.asm`, is assembled normally.

When you invoke the interlist feature without the optimizer, the interlist runs as a separate pass between the code generator and the assembler. It reads both the assembly and C/C++ source files, merges them, and writes the C/C++ statements into the assembly file as comments.

Using the `--c_src_interlist` option can cause performance and/or code size degradation.

[Example 2-1](#) shows a typical interlisted assembly file.

For more information about using the interlist feature with the optimizer, see [Section 3.9](#).

Example 2-1. An Interlisted Assembly Language File

```

||main||:
;* -----*
        SUB     r2, r2, 0x06        ; []
        SBBO   &r3.b2, r2, 4, 2    ; []
;-----
; 5 | printf("Hello World\n");
;-----
        LDI32  r0, $C$SSL1         ; [] |5|
        SBBO   &r0, r2, 0, 4        ; [] |5|
        JAL    r3.w2, ||printf||   ; [] |5| printf
        ZERO   &r14, 4             ; [] |6|
        LBBO   &r3.b2, r2, 4, 2     ; []
        ADD    r2, r2, 0x06        ; []
        JMP    r3.w2               ; []

```

2.13 Enabling Entry Hook and Exit Hook Functions

An entry hook is a routine that is called upon entry to each function in the program. An exit hook is a routine that is called upon exit of each function. Applications for hooks include debugging, trace, profiling, and stack overflow checking.

Entry and exit hooks are enabled using the following options:

- | | |
|-------------------------------------------------------|--------------------------------------------------------------------------------------------------------------------------------------------------------------------------------------------------------------------------------------------------------------------------------------------------------------------------------------------------------------------------------------------------------------------------------------------------------------------------------------------------------------------------------------------------------------------------------------------------------------------------------------------------------------------|
| --entry_hook [= <i>name</i>] | Enables entry hooks. If specified, the hook function is called <i>name</i> . Otherwise, the default entry hook function name is <code>__entry_hook</code> . |
| --entry_parm {= <i>name</i>
address none} | Specify the parameters to the hook function. The name parameter specifies that the name of the calling function is passed to the hook function as an argument. In this case the signature for the hook function is: <code>void hook(const char *name);</code>

The address parameter specifies that the address of the calling function is passed to the hook function. In this case the signature for the hook function is: <code>void hook(void (*addr)());</code>

The none parameter specifies that the hook is called with no parameters. This is the default. In this case the signature for the hook function is: <code>void hook(void);</code> |
| --exit_hook [= <i>name</i>] | Enables exit hooks. If specified, the hook function is called <i>name</i> . Otherwise, the default exit hook function name is <code>__exit_hook</code> . |
| --exit_parm {= <i>name</i>
address none} | Specify the parameters to the hook function. The name parameter specifies that the name of the calling function is passed to the hook function as an argument. In this case the signature for the hook function is: <code>void hook(const char *name);</code>

The address parameter specifies that the address of the calling function is passed to the hook function. In this case the signature for the hook function is: <code>void hook(void (*addr)());</code>

The none parameter specifies that the hook is called with no parameters. This is the default. In this case the signature for the hook function is: <code>void hook(void);</code> |

The presence of the hook options creates an implicit declaration of the hook function with the given signature. If a declaration or definition of the hook function appears in the compilation unit compiled with the options, it must agree with the signatures listed above.

In C++, the hooks are declared extern "C". Thus you can define them in C (or assembly) without being concerned with name mangling.

Hooks can be declared inline, in which case the compiler tries to inline them using the same criteria as other inline functions.

Entry hooks and exit hooks are independent. You can enable one but not the other, or both. The same function can be used as both the entry and exit hook.

You must take care to avoid recursive calls to hook functions. The hook function should not call any function which itself has hook calls inserted. To help prevent this, hooks are not generated for inline functions, or for the hook functions themselves.

You can use the `--remove_hooks_when_inlining` option to remove entry/exit hooks for functions that are auto-inlined by the optimizer.

See [Section 5.9.17](#) for information about the `NO_HOOKS` pragma.

Optimizing Your Code

The compiler tools can perform many optimizations to improve the execution speed and reduce the size of C and C++ programs by simplifying loops, rearranging statements and expressions, and allocating variables into registers.

This chapter describes how to invoke different levels of optimization and describes which optimizations are performed at each level. This chapter also describes how you can use the Interlist feature when performing optimization and how you can debug optimized code.

Topic	Page
3.1 Invoking Optimization	46
3.2 Controlling Code Size Versus Speed	47
3.3 Performing File-Level Optimization (--opt_level=3 option)	47
3.4 Program-Level Optimization (--program_level_compile and --opt_level=3 options).....	48
3.5 Automatic Inline Expansion (--auto_inline Option).....	51
3.6 Link-Time Optimization (--opt_level=4 Option)	52
3.7 Accessing Aliased Variables in Optimized Code	53
3.8 Use Caution With asm Statements in Optimized Code	53
3.9 Using the Interlist Feature With Optimization.....	53
3.10 Debugging and Profiling Optimized Code.....	54
3.11 What Kind of Optimization Is Being Performed?	54

3.1 Invoking Optimization

The C/C++ compiler is able to perform various optimizations. High-level optimizations are performed in the optimizer and low-level, target-specific optimizations occur in the code generator. Use high-level optimization levels, such as `--opt_level=2` and `--opt_level=3`, to achieve optimal code.

The easiest way to invoke optimization is to use the compiler program, specifying the `--opt_level=n` option on the compiler command line. You can use `-On` to alias the `--opt_level` option. The *n* denotes the level of optimization (0, 1, 2, 3), which controls the type and degree of optimization.

- **--opt_level=off** or **-Ooff**
 - Performs no optimization
- **--opt_level=0** or **-O0**
 - Performs control-flow-graph simplification
 - Allocates variables to registers
 - Performs loop rotation
 - Eliminates unused code
 - Simplifies expressions and statements
 - Expands calls to functions declared inline
- **--opt_level=1** or **-O1**

Performs all `--opt_level=0` (-O0) optimizations, plus:

 - Performs local copy/constant propagation
 - Removes unused assignments
 - Eliminates local common expressions
- **--opt_level=2** or **-O2**

Performs all `--opt_level=1` (-O1) optimizations, plus:

 - Performs loop optimizations
 - Eliminates global common subexpressions
 - Eliminates global unused assignments
 - Performs loop unrolling
- **--opt_level=3** or **-O3**

Performs all `--opt_level=2` (-O2) optimizations, plus:

 - Removes all functions that are never called
 - Simplifies functions with return values that are never used
 - Inlines calls to small functions
 - Reorders function declarations; the called functions attributes are known when the caller is optimized
 - Propagates arguments into function bodies when all calls pass the same value in the same argument position
 - Identifies file-level variable characteristics

If you use `--opt_level=3` (-O3), see [Section 3.3](#) and [Section 3.4](#) for more information.

For information about how the `--opt_level` option along with the `--opt_for_speed` option and various pragmas affect inlining, see [Section 2.11](#).

By default, debugging is enabled and the default optimization level is unaffected by the generation of debug information. However, the optimization level used is affected by whether or not the command line includes the `-g` (`--symdebug:dwarf`) option and the `--opt_level` option as shown in the following table:

Table 3-1. Interaction Between Debugging and Optimization Options

Optimization	no -g	-g
no --opt_level	--opt_level=off	--opt_level=off
--opt_level	--opt_level=2	--opt_level=2
--opt_level=n	optimized as specified	optimized as specified

The levels of optimizations described above are performed by the stand-alone optimization pass. The code generator performs several additional optimizations, particularly processor-specific optimizations. It does so regardless of whether you invoke the optimizer. These optimizations are always enabled, although they are more effective when the optimizer is used.

3.2 Controlling Code Size Versus Speed

To balance the tradeoff between code size and speed, use the `--opt_for_speed` option. The level of optimization (0-5) controls the type and degree of code size or code speed optimization:

- `--opt_for_speed=0`
Optimizes code size with a *high* risk of worsening or impacting performance.
- `--opt_for_speed=1`
Optimizes code size with a *medium* risk of worsening or impacting performance.
- `--opt_for_speed=2`
Optimizes code size with a *low* risk of worsening or impacting performance.
- `--opt_for_speed=3`
Optimizes code performance/speed with a *low* risk of worsening or impacting code size.
- `--opt_for_speed=4`
Optimizes code performance/speed with a *medium* risk of worsening or impacting code size.
- `--opt_for_speed=5`
Optimizes code performance/speed with a *high* risk of worsening or impacting code size.

If you specify the `--opt_for_speed` option without a parameter, the default setting is `--opt_for_speed=4`. If you do not specify the `--opt_for_speed` option, the default setting is 4

3.3 Performing File-Level Optimization (--opt_level=3 option)

The `--opt_level=3` option (aliased as the `-O3` option) instructs the compiler to perform file-level optimization. You can use the `--opt_level=3` option alone to perform general file-level optimization, or you can combine it with other options to perform more specific optimizations. The options listed in [Table 3-2](#) work with `--opt_level=3` to perform the indicated optimization:

Table 3-2. Options That You Can Use With --opt_level=3

If You ...	Use this Option	See
Want to create an optimization information file	<code>--gen_opt_level=n</code>	Section 3.3.1
Want to compile multiple source files	<code>--program_level_compile</code>	Section 3.4

3.3.1 Creating an Optimization Information File (--gen_opt_info Option)

When you invoke the compiler with the `--opt_level=3` option, you can use the `--gen_opt_info` option to create an optimization information file that you can read. The number following the option denotes the level (0, 1, or 2). The resulting file has an `.nfo` extension. Use [Table 3-3](#) to select the appropriate level to append to the option.

Table 3-3. Selecting a Level for the --gen_opt_info Option

If you...	Use this option
Do not want to produce an information file, but you used the --gen_opt_level=1 or --gen_opt_level=2 option in a command file or an environment variable. The --gen_opt_level=0 option restores the default behavior of the optimizer.	--gen_opt_info=0
Want to produce an optimization information file	--gen_opt_info=1
Want to produce a verbose optimization information file	--gen_opt_info=2

3.4 Program-Level Optimization (--program_level_compile and --opt_level=3 options)

You can specify program-level optimization by using the --program_level_compile option with the --opt_level=3 option (aliased as -O3). (If you use --opt_level=4 (-O4), the --program_level_compile option cannot be used, because link-time optimization provides the same optimization opportunities as program level optimization.)

With program-level optimization, all of your source files are compiled into one intermediate file called a *module*. The module moves to the optimization and code generation passes of the compiler. Because the compiler can see the entire program, it performs several optimizations that are rarely applied during file-level optimization:

- If a particular argument in a function always has the same value, the compiler replaces the argument with the value and passes the value instead of the argument.
- If a return value of a function is never used, the compiler deletes the return code in the function.
- If a function is not called directly or indirectly by main(), the compiler removes the function.

The --program_level_compile option requires use of --opt_level=3 in order to perform these optimizations.

To see which program-level optimizations the compiler is applying, use the --gen_opt_level=2 option to generate an information file. See [Section 3.3.1](#) for more information.

In Code Composer Studio, when the --program_level_compile option is used, C and C++ files that have the same options are compiled together. However, if any file has a file-specific option that is not selected as a project-wide option, that file is compiled separately. For example, if every C and C++ file in your project has a different set of file-specific options, each is compiled separately, even though program-level optimization has been specified. To compile all C and C++ files together, make sure the files do not have file-specific options. Be aware that compiling C and C++ files together may not be safe if previously you used a file-specific option.

Compiling Files With the --program_level_compile and --keep_asm Options

NOTE: If you compile all files with the --program_level_compile and --keep_asm options, the compiler produces only one .asm file, not one for each corresponding source file.

3.4.1 Controlling Program-Level Optimization (--call_assumptions Option)

You can control program-level optimization, which you invoke with `--program_level_compile --opt_level=3`, by using the `--call_assumptions` option. Specifically, the `--call_assumptions` option indicates if functions in other modules can call a module's external functions or modify a module's external variables. The number following `--call_assumptions` indicates the level you set for the module that you are allowing to be called or modified. The `--opt_level=3` option combines this information with its own file-level analysis to decide whether to treat this module's external function and variable declarations as if they had been declared static. Use [Table 3-4](#) to select the appropriate level to append to the `--call_assumptions` option.

Table 3-4. Selecting a Level for the --call_assumptions Option

If Your Module ...	Use this Option
Has functions that are called from other modules and global variables that are modified in other modules	<code>--call_assumptions=0</code>
Does not have functions that are called by other modules but has global variables that are modified in other modules	<code>--call_assumptions=1</code>
Does not have functions that are called by other modules or global variables that are modified in other modules	<code>--call_assumptions=2</code>
Has functions that are called from other modules but does not have global variables that are modified in other modules	<code>--call_assumptions=3</code>

In certain circumstances, the compiler reverts to a different `--call_assumptions` level from the one you specified, or it might disable program-level optimization altogether. [Table 3-5](#) lists the combinations of `--call_assumptions` levels and conditions that cause the compiler to revert to other `--call_assumptions` levels.

Table 3-5. Special Considerations When Using the --call_assumptions Option

If --call_assumptions is...	Under these Conditions...	Then the --call_assumptions Level...
Not specified	The <code>--opt_level=3</code> optimization level was specified	Defaults to <code>--call_assumptions=2</code>
Not specified	The compiler sees calls to outside functions under the <code>--opt_level=3</code> optimization level	Reverts to <code>--call_assumptions=0</code>
Not specified	Main is not defined	Reverts to <code>--call_assumptions=0</code>
<code>--call_assumptions=1</code> or <code>--call_assumptions=2</code>	No function has main defined as an entry point, <i>and</i> no interrupt functions are defined, <i>and</i> no functions are identified by the <code>FUNC_EXT_CALLED</code> pragma	Reverts to <code>--call_assumptions=0</code>
<code>--call_assumptions=1</code> or <code>--call_assumptions=2</code>	A main function is defined, <i>or</i> an interrupt function is defined, <i>or</i> a function is identified by the <code>FUNC_EXT_CALLED</code> pragma	Remains <code>--call_assumptions=1</code> or <code>--call_assumptions=2</code>
<code>--call_assumptions=3</code>	Any condition	Remains <code>--call_assumptions=3</code>

In some situations when you use `--program_level_compile` and `--opt_level=3`, you *must* use a `--call_assumptions` option or the `FUNC_EXT_CALLED` pragma.

3.4.2 Optimization Considerations When Mixing C/C++ and Assembly

If you have any assembly functions in your program, you need to exercise caution when using the `--program_level_compile` option. The compiler recognizes only the C/C++ source code and not any assembly code that might be present. Because the compiler does not recognize the assembly code calls and variable modifications to C/C++ functions, the `--program_level_compile` option optimizes out those C/C++ functions. To keep these functions, place the `FUNC_EXT_CALLED` pragma (see [Section 5.9.11](#)) before any declaration or reference to a function that you want to keep.

Another approach you can take when you use assembly functions in your program is to use the `--call_assumptions=n` option with the `--program_level_compile` and `--opt_level=3` options. See [Section 3.4.1](#) for information about the `--call_assumptions=n` option.

In general, you achieve the best results through judicious use of the `FUNC_EXT_CALLED` pragma in combination with `--program_level_compile --opt_level=3` and `--call_assumptions=1` or `--call_assumptions=2`.

If any of the following situations apply to your application, use the suggested solution:

Situation — Your application consists of C/C++ source code that calls assembly functions. Those assembly functions do not call any C/C++ functions or modify any C/C++ variables.

Solution — Compile with `--program_level_compile --opt_level=3 --call_assumptions=2` to tell the compiler that outside functions do not call C/C++ functions or modify C/C++ variables.

If you compile with the `--program_level_compile --opt_level=3` options only, the compiler reverts from the default optimization level (`--call_assumptions=2`) to `--call_assumptions=0`. The compiler uses `--call_assumptions=0`, because it presumes that the calls to the assembly language functions that have a definition in C/C++ may call other C/C++ functions or modify C/C++ variables.

Situation — Your application consists of C/C++ source code that calls assembly functions. The assembly language functions do not call C/C++ functions, but they modify C/C++ variables.

Solution — Try both of these solutions and choose the one that works best with your code:

- Compile with `--program_level_compile --opt_level=3 --call_assumptions=1`.
- Add the `volatile` keyword to those variables that may be modified by the assembly functions and compile with `--program_level_compile --opt_level=3 --call_assumptions=2`.

Situation — Your application consists of C/C++ source code and assembly source code. The assembly functions are entry points to the application; the C/C++ functions that the assembly functions call are never called from C/C++. These C/C++ functions act like `main`: they function as entry points into C/C++.

Solution — Add the `volatile` keyword to the C/C++ variables that may be modified by the interrupts. Then, you can optimize your code in one of these ways:

- You achieve the best optimization by applying the `FUNC_EXT_CALLED` pragma to all of the entry-point functions called from the assembly language interrupts, and then compiling with `--program_level_compile --opt_level=3 --call_assumptions=2`. *Be sure that you use the pragma with all of the entry-point functions.* If you do not, the compiler might remove the entry-point functions that are not preceded by the `FUNC_EXT_CALLED` pragma.
- Compile with `--program_level_compile --opt_level=3 --call_assumptions=3`. Because you do not use the `FUNC_EXT_CALLED` pragma, you must use the `--call_assumptions=3` option, which is less aggressive than the `--call_assumptions=2` option, and your optimization may not be as effective.

Keep in mind that if you use `--program_level_compile --opt_level=3` without additional options, the compiler removes the C functions that the assembly functions call. Use the `FUNC_EXT_CALLED` pragma to keep these functions.

3.5 Automatic Inline Expansion (`--auto_inline` Option)

When optimizing with the `--opt_level=3` option (aliased as `-O3`), the compiler automatically inlines small functions. A command-line option, `--auto_inline=size`, specifies the size threshold for automatic inlining. This option controls only the inlining of functions that are not explicitly declared as inline.

When the `--auto_inline` option is not used, the compiler sets the size limit based on the optimization level and the optimization goal (performance versus code size). If the `--auto_inline` size parameter is set to 0, automatic inline expansion is disabled. If the `--auto_inline` size parameter is set to a non-zero integer, the compiler automatically inlines any function smaller than *size*. (This is a change from previous releases, which inlined functions for which the product of the function size and the number of calls to it was less than *size*. The new scheme is simpler, but will usually lead to more inlining for a given value of *size*.)

The compiler measures the size of a function in arbitrary units; however the optimizer information file (created with the `--gen_opt_info=1` or `--gen_opt_info=2` option) reports the size of each function in the same units that the `--auto_inline` option uses. When `--auto_inline` is used, the compiler does not attempt to prevent inlining that causes excessive growth in compile time or size; use with care.

When `--auto_inline` option is not used, the decision to inline a function at a particular call-site is based on an algorithm that attempts to optimize benefit and cost. The compiler inlines eligible functions at call-sites until a limit on size or compilation time is reached.

Inlining behavior varies, depending on which compile-time options are specified:

- The code size limit is smaller when compiling for code size rather than performance. The `--auto_inline` option overrides this size limit.
- At `--opt_level=3`, the compiler automatically inlines small functions.

For information about interactions between command-line options, pragmas, and keywords that affect inlining, see [Section 2.11](#).

Some Functions Cannot Be Inlined

NOTE: For a call-site to be considered for inlining, it must be legal to inline the function and inlining must not be disabled in some way. See the inlining restrictions in [Section 2.11.2](#).

Optimization Level 3 and Inlining

NOTE: In order to turn on automatic inlining, you must use the `--opt_level=3` option. If you desire the `--opt_level=3` optimizations, but not automatic inlining, use `--auto_inline=0` with the `--opt_level=3` option.

Inlining and Code Size

NOTE: Expanding functions inline increases code size, especially inlining a function that is called in a number of places. Function inlining is optimal for functions that are called only from a small number of places and for small functions. To prevent increases in code size because of inlining, use the `--auto_inline=0` option. This option causes the compiler to inline intrinsics only.

3.6 Link-Time Optimization (`--opt_level=4` Option)

Link-time optimization is an optimization mode that allows the compiler to have visibility of the entire program. The optimization occurs at link-time instead of compile-time like other optimization levels.

Link-time optimization is invoked by using the `--opt_level=4` option. This option must be used in both the compilation and linking steps. At compile time, the compiler embeds an intermediate representation of the file being compiled into the resulting object file. At link-time this representation is extracted from every object file which contains it, and is used to optimize the entire program.

If you use `--opt_level=4` (`-O4`), the `--program_level_compile` option cannot also be used, because link-time optimization provides the same optimization opportunities as program level optimization ([Section 3.4](#)). Link-time optimization provides the following benefits:

- Each source file can be compiled separately. One issue with program-level compilation is that it requires all source files to be passed to the compiler at one time. This often requires significant modification of a customer's build process. With link-time optimization, all files can be compiled separately.
- References to C/C++ symbols from assembly are handled automatically. When doing program-level compilation, the compiler has no knowledge of whether a symbol is referenced externally. When performing link-time optimization during a final link, the linker can determine which symbols are referenced externally and prevent eliminating them during optimization.
- Third party object files can participate in optimization. If a third party vendor provides object files that were compiled with the `--opt_level=4` option, those files participate in optimization along with user-generated files. This includes object files supplied as part of the TI run-time support. Object files that were not compiled with `--opt_level=4` can still be used in a link that is performing link-time optimization. Those files that were not compiled with `--opt_level=4` do not participate in the optimization.
- Source files can be compiled with different option sets. With program-level compilation, all source files must be compiled with the same option set. With link-time optimization files can be compiled with different options. If the compiler determines that two options are incompatible, it issues an error.

3.6.1 Option Handling

When performing link-time optimization, source files can be compiled with different options. When possible, the options that were used during compilation are used during link-time optimization. For options which apply at the program level, `--auto_inline` for instance, the options used to compile the main function are used. If main is not included in link-time optimization, the option set used for the first object file specified on the command line is used. Some options, `--opt_for_speed` for instance, can affect a wide range of optimizations. For these options, the program-level behavior is derived from main, and the local optimizations are obtained from the original option set.

Some options are incompatible when performing link-time optimization. These are usually options which conflict on the command line as well, but can also be options that cannot be handled during link-time optimization.

3.6.2 Incompatible Types

During a normal link, the linker does not check to make sure that each symbol was declared with the same type in different files. This is not necessary during a normal link. When performing link-time optimization, however, the linker must ensure that all symbols are declared with compatible types in different source files. If a symbol is found which has incompatible types, an error is issued. The rules for compatible types are derived from the C and C++ standards.

3.7 Accessing Aliased Variables in Optimized Code

Aliasing occurs when a single object can be accessed in more than one way, such as when two pointers point to the same object or when a pointer points to a named object. Aliasing can disrupt optimization because any indirect reference can refer to another object. The optimizer analyzes the code to determine where aliasing can and cannot occur, then optimizes as much as possible while still preserving the correctness of the program. The optimizer behaves conservatively. If there is a chance that two pointers are pointing to the same object, then the optimizer assumes that the pointers do point to the same object.

The compiler assumes that if the address of a local variable is passed to a function, the function changes the local variable by writing through the pointer. This makes the local variable's address unavailable for use elsewhere after returning. For example, the called function cannot assign the local variable's address to a global variable or return the local variable's address. In cases where this assumption is invalid, use the `--aliased_variables` compiler option to force the compiler to assume worst-case aliasing. In worst-case aliasing, any indirect reference can refer to such a variable.

3.8 Use Caution With `asm` Statements in Optimized Code

You must be extremely careful when using `asm` (inline assembly) statements in optimized code. The compiler rearranges code segments, uses registers freely, and can completely remove variables or expressions. Although the compiler never optimizes out an `asm` statement (except when it is unreachable), the surrounding environment where the assembly code is inserted can differ significantly from the original C/C++ source code.

It is usually safe to use `asm` statements to manipulate hardware controls, but `asm` statements that attempt to interface with the C/C++ environment or access C/C++ variables can have unexpected results. After compilation, check the assembly output to make sure your `asm` statements are correct and maintain the integrity of the program.

3.9 Using the Interlist Feature With Optimization

You control the output of the interlist feature when compiling with optimization (the `--opt_level=n` or `-On` option) with the `--optimizer_interlist` and `--c_src_interlist` options.

- The `--optimizer_interlist` option interlists compiler comments with assembly source statements.
- The `--c_src_interlist` and `--optimizer_interlist` options together interlist the compiler comments and the original C/C++ source with the assembly code.

When you use the `--optimizer_interlist` option with optimization, the interlist feature does *not* run as a separate pass. Instead, the compiler inserts comments into the code, indicating how the compiler has rearranged and optimized the code. These comments appear in the assembly language file as comments starting with `;**`. The C/C++ source code is not interlisted, unless you use the `--c_src_interlist` option also.

The interlist feature can affect optimized code because it might prevent some optimization from crossing C/C++ statement boundaries. Optimization makes normal source interlisting impractical, because the compiler extensively rearranges your program. Therefore, when you use the `--optimizer_interlist` option, the compiler writes reconstructed C/C++ statements.

Impact on Performance and Code Size

NOTE: The `--c_src_interlist` option can have a negative effect on performance and code size.

When you use the `--c_src_interlist` and `--optimizer_interlist` options with optimization, the compiler inserts its comments and the interlist feature runs before the assembler, merging the original C/C++ source into the assembly file.

3.10 Debugging and Profiling Optimized Code

Generating symbolic debugging information no longer affects the ability to optimize code. The same executable code is generated regardless of whether generation of debug information is turned on or off. For this reason, debug information is now generated by default. You do not need to specify the `-g` option in order to debug your application.

If you do not specify the `-g` option and allow the default generation of debug information to be used, the default level of optimization is used unless you specify some other optimization level.

The `--symdebug:dwarf` option no longer disables optimization, because generation of debug information no longer impacts optimization.

If you specify the `-g` option explicitly but do not specify an optimization level, no optimization is performed. This is because while generating debug information does not affect the ability to optimize code, optimizing code does make it more difficult to debug code. At higher levels of optimization, the compiler's extensive rearrangement of code and the many-to-many allocation of variables to registers often make it difficult to correlate source code with object code for debugging purposes. It is recommended that you perform debugging using the lowest level of optimization possible.

If you specify an `--opt_level` (aliased as `-O`) option, that optimization level is used no matter what type of debugging information you enabled.

The optimization level used if you do not specify the level on the command line is affected by whether or not the command line includes the `-g` option and the `--opt_level` option as shown in the following table:

Table 3-6. Interaction Between Debugging and Optimization Options

Optimization	no -g	-g
no <code>--opt_level</code>	<code>--opt_level=off</code>	<code>--opt_level=off</code>
<code>--opt_level</code>	<code>--opt_level=2</code>	<code>--opt_level=2</code>
<code>--opt_level=n</code>	optimized as specified	optimized as specified

Debug information increases the size of object files, but it does not affect the size of code or data on the target. If object file size is a concern and debugging is not needed, use `--symdebug:none` to disable the generation of debug information.

3.11 What Kind of Optimization Is Being Performed?

The PRU C/C++ compiler uses a variety of optimization techniques to improve the execution speed of your C/C++ programs and to reduce their size.

Following are some of the optimizations performed by the compiler:

Optimization	See
Cost-based register allocation	Section 3.11.1
Alias disambiguation	Section 3.11.1
Branch optimizations and control-flow simplification	Section 3.11.3
Data flow optimizations	Section 3.11.4
<ul style="list-style-type: none"> • Copy propagation • Common subexpression elimination • Redundant assignment elimination 	
Expression simplification	Section 3.11.5
Inline expansion of functions	Section 3.11.6
Function Symbol Aliasing	Section 3.11.7
Induction variable optimizations and strength reduction	Section 3.11.8
Loop-invariant code motion	Section 3.11.9
Loop rotation	Section 3.11.10
Instruction scheduling	Section 3.11.11

PRU-Specific Optimization	See
Tail merging	Section 3.11.12
Autoincrement addressing	Section 3.11.13
Epilog inlining	Section 3.11.14
Integer division with constant divisor	Section 3.11.15

3.11.1 Cost-Based Register Allocation

The compiler, when optimization is enabled, allocates registers to user variables and compiler temporary values according to their type, use, and frequency. Variables used within loops are weighted to have priority over others, and those variables whose uses do not overlap can be allocated to the same register.

Induction variable elimination and loop test replacement allow the compiler to recognize the loop as a simple counting loop and unroll or eliminate the loop. Strength reduction turns the array references into efficient pointer references with autoincrements.

3.11.2 Alias Disambiguation

C and C++ programs generally use many pointer variables. Frequently, compilers are unable to determine whether or not two or more l values (lowercase L: symbols, pointer references, or structure references) refer to the same memory location. This aliasing of memory locations often prevents the compiler from retaining values in registers because it cannot be sure that the register and memory continue to hold the same values over time.

Alias disambiguation is a technique that determines when two pointer expressions cannot point to the same location, allowing the compiler to freely optimize such expressions.

3.11.3 Branch Optimizations and Control-Flow Simplification

The compiler analyzes the branching behavior of a program and rearranges the linear sequences of operations (basic blocks) to remove branches or redundant conditions. Unreachable code is deleted, branches to branches are bypassed, and conditional branches over unconditional branches are simplified to a single conditional branch.

When the value of a condition is determined at compile time (through copy propagation or other data flow analysis), the compiler can delete a conditional branch. Switch case lists are analyzed in the same way as conditional branches and are sometimes eliminated entirely. Some simple control flow constructs are reduced to conditional instructions, totally eliminating the need for branches.

3.11.4 Data Flow Optimizations

Collectively, the following data flow optimizations replace expressions with less costly ones, detect and remove unnecessary assignments, and avoid operations that produce values that are already computed. The compiler with optimization enabled performs these data flow optimizations both locally (within basic blocks) and globally (across entire functions).

- **Copy propagation.** Following an assignment to a variable, the compiler replaces references to the variable with its value. The value can be another variable, a constant, or a common subexpression. This can result in increased opportunities for constant folding, common subexpression elimination, or even total elimination of the variable.
- **Common subexpression elimination.** When two or more expressions produce the same value, the compiler computes the value once, saves it, and reuses it.
- **Redundant assignment elimination.** Often, copy propagation and common subexpression elimination optimizations result in unnecessary assignments to variables (variables with no subsequent reference before another assignment or before the end of the function). The compiler removes these dead assignments.

3.11.5 Expression Simplification

For optimal evaluation, the compiler simplifies expressions into equivalent forms, requiring fewer instructions or registers. Operations between constants are folded into single constants. For example, $a = (b + 4) - (c + 1)$ becomes $a = b - c + 3$.

3.11.6 Inline Expansion of Functions

The compiler replaces calls to small functions with inline code, saving the overhead associated with a function call as well as providing increased opportunities to apply other optimizations.

For information about interactions between command-line options, pragmas, and keywords that affect inlining, see [Section 2.11](#).

3.11.7 Function Symbol Aliasing

The compiler recognizes a function whose definition contains only a call to another function. If the two functions have the same signature (same return value and same number of parameters with the same type, in the same order), then the compiler can make the calling function an alias of the called function.

For example, consider the following:

```
int bbb(int arg1, char *arg2);

int aaa(int n, char *str)
{
    return bbb(n, str);
}
```

For this example, the compiler makes `aaa` an alias of `bbb`, so that at link time all calls to function `aaa` should be redirected to `bbb`. If the linker can successfully redirect all references to `aaa`, then the body of function `aaa` can be removed and the symbol `aaa` is defined at the same address as `bbb`.

For information about using the GCC function attribute syntax to declare function aliases, see [Section 5.14.2](#)

3.11.8 Induction Variables and Strength Reduction

Induction variables are variables whose value within a loop is directly related to the number of executions of the loop. Array indices and control variables for loops are often induction variables.

Strength reduction is the process of replacing inefficient expressions involving induction variables with more efficient expressions. For example, code that indexes into a sequence of array elements is replaced with code that increments a pointer through the array.

Induction variable analysis and strength reduction together often remove all references to your loop-control variable, allowing its elimination.

3.11.9 Loop-Invariant Code Motion

This optimization identifies expressions within loops that always compute to the same value. The computation is moved in front of the loop, and each occurrence of the expression in the loop is replaced by a reference to the precomputed value.

3.11.10 Loop Rotation

The compiler evaluates loop conditionals at the bottom of loops, saving an extra branch out of the loop. In many cases, the initial entry conditional check and the branch are optimized out.

3.11.11 Instruction Scheduling

The compiler performs instruction scheduling, which is the rearranging of machine instructions in such a way that improves performance while maintaining the semantics of the original order. Instruction scheduling is used to improve instruction parallelism and hide latencies. It can also be used to reduce code size.

3.11.12 Tail Merging

If you are optimizing for code size, tail merging can be very effective for some functions. Tail merging finds basic blocks that end in an identical sequence of instructions and have a common destination. If such a set of blocks is found, the sequence of identical instructions is made into its own block. These instructions are then removed from the set of blocks and replaced with branches to the newly created block. Thus, there is only one copy of the sequence of instructions, rather than one for each block in the set.

3.11.13 Autoincrement Addressing

For pointer expressions of the form `*p++`, the compiler uses efficient PRU autoincrement addressing modes. In many cases, where code steps through an array in a loop such as below, the loop optimizations convert the array references to indirect references through autoincremented register variable pointers.

```
for (I = 0; I <N; ++I) a(I)...
```

3.11.14 Epilog Inlining

If the epilog of a function is a single instruction, that instruction replaces all branches to the epilog. This increases execution speed by removing the branch.

3.11.15 Integer Division With Constant Divisor

The optimizer attempts to rewrite integer divide operations with constant divisors. The integer divides are rewritten as a multiply with the reciprocal of the divisor. This occurs at optimization level 2 (`--opt_level=2` or `-O2`) and higher. You must also compile with the `--opt_for_speed` option, which selects compile for speed.

Linking C/C++ Code

The C/C++ Code Generation Tools provide two methods for linking your programs:

- You can compile individual modules and link them together. This method is especially useful when you have multiple source files.
- You can compile and link in one step. This method is useful when you have a single source module.

This chapter describes how to invoke the linker with each method. It also discusses special requirements of linking C/C++ code, including the run-time-support libraries, specifying the type of initialization, and allocating the program into memory. For a complete description of the linker, see the *PRU Assembly Language Tools User's Guide*.

Topic	Page
4.1 Invoking the Linker Through the Compiler (-z Option)	59
4.2 Linker Code Optimizations	61
4.3 Controlling the Linking Process.....	61

4.1 Invoking the Linker Through the Compiler (-z Option)

This section explains how to invoke the linker after you have compiled and assembled your programs: as a separate step or as part of the compile step.

4.1.1 Invoking the Linker Separately

This is the general syntax for linking C/C++ programs as a separate step:

```
clpru --run_linker {--rom_model | --ram_model} filenames
      [options] [--output_file= name.out] --library= library [Ink.cmd]
```

clpru--run_linker	The command that invokes the linker.
--rom_model --ram_model	Options that tell the linker to use special conventions defined by the C/C++ environment. When you use <code>clpru --run_linker</code> , you must use --rom_model or --ram_model . The <code>--rom_model</code> option uses automatic variable initialization at run time; the <code>--ram_model</code> option uses variable initialization at load time.
<i>filenames</i>	Names of object files, linker command files, or archive libraries. The default extension for all input files is <code>.obj</code> ; any other extension must be explicitly specified. The linker can determine whether the input file is an object or ASCII file that contains linker commands. The default output filename is <code>a.out</code> , unless you use the <code>--output_file</code> option to name the output file.
<i>options</i>	Options affect how the linker handles your object files. Linker options can only appear after the --run_linker option on the command line, but otherwise may be in any order. (Options are discussed in detail in the <i>PRU Assembly Language Tools User's Guide</i> .)
--output_file= name.out	Names the output file.
--library= library	Identifies the appropriate archive library containing C/C++ run-time-support and floating-point math functions, or linker command files. If you are linking C/C++ code, you must use a run-time-support library. You can use the libraries included with the compiler, or you can create your own run-time-support library. If you have specified a run-time-support library in a linker command file, you do not need this parameter. The <code>--library</code> option's short form is <code>-l</code> .
<i>Ink.cmd</i>	Contains options, filenames, directives, or commands for the linker.

When you specify a library as linker input, the linker includes and links only those library members that resolve undefined references. The linker uses a default allocation algorithm to allocate your program into memory. You can use the `MEMORY` and `SECTIONS` directives in the linker command file to customize the allocation process. For information, see the *PRU Assembly Language Tools User's Guide*.

You can link a C/C++ program consisting of object files `prog1.obj`, `prog2.obj`, and `prog3.obj`, with an executable object file filename of `prog.out` with the command:

```
clpru --run_linker --rom_model prog1 prog2 prog3 --output_file=prog.out
      --library=rtspruv3_le.lib
```

4.1.2 Invoking the Linker as Part of the Compile Step

This is the general syntax for linking C/C++ programs as part of the compile step:

```
clpru filenames [options] --run_linker {--rom_model | --ram_model} filenames
      [options] [--output_file= name.out] --library= library [lnk.cmd]
```

The `--run_linker` option divides the command line into the compiler options (the options before `--run_linker`) and the linker options (the options following `--run_linker`). The `--run_linker` option must follow all source files and compiler options on the command line.

All arguments that follow `--run_linker` on the command line are passed to the linker. These arguments can be linker command files, additional object files, linker options, or libraries. These arguments are the same as described in [Section 4.1.1](#).

All arguments that precede `--run_linker` on the command line are compiler arguments. These arguments can be C/C++ source files, assembly files, or compiler options. These arguments are described in [Section 2.2](#).

You can compile and link a C/C++ program consisting of object files `prog1.c`, `prog2.c`, and `prog3.c`, with an executable object file filename of `prog.out` with the command:

```
clpru prog1.c prog2.c prog3.c --run_linker --rom_model --output_file=prog.out --
library=rtspuv3_le.lib
```

NOTE: Order of Processing Arguments in the Linker

The order in which the linker processes arguments is important. The compiler passes arguments to the linker in the following order:

1. Object filenames from the command line
 2. Arguments following the `--run_linker` option on the command line
 3. Arguments following the `--run_linker` option from the `PRU_C_OPTION` environment variable
-

4.1.3 Disabling the Linker (--compile_only Compiler Option)

You can override the `--run_linker` option by using the `--compile_only` compiler option. The `--run_linker` option's short form is `-z` and the `--compile_only` option's short form is `-c`.

The `--compile_only` option is especially helpful if you specify the `--run_linker` option in the `PRU_C_OPTION` environment variable and want to selectively disable linking with the `--compile_only` option on the command line.

4.2 Linker Code Optimizations

These techniques are used to further optimize your code.

4.2.1 Generating Aggregate Data Subsections (*--gen_data_subsections* Compiler Option)

Similarly to code sections described in the previous section, data can either be placed in a single section or multiple sections. The benefit of multiple data sections is that the linker may omit unused data structures from the executable. By default, the `--gen_data_subsections` option is on. This option causes aggregate data—arrays, structs, and unions—to be placed in separate subsections of the data section.

4.3 Controlling the Linking Process

Regardless of the method you choose for invoking the linker, special requirements apply when linking C/C++ programs. You must:

- Include the compiler's run-time-support library
- Specify the type of boot-time initialization
- Determine how you want to allocate your program into memory

This section discusses how these factors are controlled and provides an example of the standard default linker command file. For more information about how to operate the linker, see the linker description in the *PRU Assembly Language Tools User's Guide*.

4.3.1 Including the Run-Time-Support Library

You must link all C/C++ programs with a run-time-support library. The library contains standard C/C++ functions as well as functions used by the compiler to manage the C/C++ environment. The following sections describe two methods for including the run-time-support library.

4.3.1.1 Automatic Run-Time-Support Library Selection

The linker assumes you are using the C and C++ conventions if either the `--rom_model` or `--ram_model` linker option is specified, or if the link step includes the compile step for a C or C++ file, or if you link against the index library `libc.a`.

If the linker assumes you are using the C and C++ conventions and the entry point for the program (normally `c_int00`) is not resolved by any specified object file or library, the linker attempts to automatically include the most compatible run-time-support library for your program. The run-time-support library chosen by the compiler is searched after any other libraries specified with the `--library` option on the command line or in the linker command file. If `libc.a` is explicitly used, the appropriate run-time-support library is included in the search order where `libc.a` is specified.

You can disable the automatic selection of a run-time-support library by using the `--disable_auto_rts` option.

If the `--issue_remarks` option is specified before the `--run_linker` option during the linker, a remark is generated indicating which run-time support library was linked in. If a different run-time-support library is desired than the one reported by `--issue_remarks`, you must specify the name of the desired run-time-support library using the `--library` option and in your linker command files when necessary.

Example 4-1. Using the `--issue_remarks` Option

```
clpru --silicon_version=2 --issue_remarks main.c --run_linker --rom_model
<Linking>
remark: linking in "libc.a"
remark: linking in "rtspruv2_le.lib" in place of "libc.a"
```

4.3.1.2 Manual Run-Time-Support Library Selection

You can bypass automatic library selection by explicitly specifying the desired run-time-support library to use. Use the `--library linker` option to specify the name of the library. The linker will search the path specified by the `--search_path` option and then the `PRU_C_DIR` environment variable for the named library. You can use the `--library linker` option on the command line or in a command file.

```
clpru --run_linker {--rom_model | --ram_model} filenames --library= libraryname
```

4.3.1.3 Library Order for Searching for Symbols

Generally, you should specify the run-time-support library as the last name on the command line because the linker searches libraries for unresolved references in the order that files are specified on the command line. If any object files follow a library, references from those object files to that library are not resolved. You can use the `--reread_libs` option to force the linker to reread all libraries until references are resolved. Whenever you specify a library as linker input, the linker includes and links only those library members that resolve undefined references.

By default, if a library introduces an unresolved reference and multiple libraries have a definition for it, then the definition from the same library that introduced the unresolved reference is used. Use the `--priority` option if you want the linker to use the definition from the first library on the command line that contains the definition.

4.3.2 Run-Time Initialization

You must link all C/C++ programs with code to initialize and execute the program called a bootstrap routine. The bootstrap routine is responsible for the following tasks:

1. Switch to user mode and sets up the user mode stack
2. Set up status and configuration registers
3. Set up the stack and secondary system stack
4. Process special binit copy table, if present.
5. Process the run-time initialization table to autoinitialize global variables (when using the `--rom_model` option)
6. Call all global constructors
7. Call the `main()` function
8. Call `exit()` when `main()` returns

NOTE: The `_c_int00` Symbol

If you use the `--ram_model` or `--rom_model` link option, `_c_int00` is automatically defined as the entry point for the program. Otherwise, an entry point is not automatically selected and you will receive a linker warning.

4.3.3 Global Object Constructors

Global C++ variables that have constructors and destructors require their constructors to be called during program initialization and their destructors to be called during program termination. The C++ compiler produces a table of constructors to be called at startup.

Constructors for global objects from a single module are invoked in the order declared in the source code, but the relative order of objects from different object files is unspecified.

Global constructors are called after initialization of other global variables and before the `main()` function is called. Global destructors are invoked during the exit run-time support function, similar to functions registered through `atexit`.

[Section 6.7.2.6](#) discusses the format of the global constructor table.

4.3.4 Specifying the Type of Global Variable Initialization

The C/C++ compiler produces data tables for initializing global variables. [Section 6.7.2.4](#) discusses the format of these initialization tables. The initialization tables are used in one of the following ways:

- Global variables are initialized at *run time*. Use the `--rom_model` linker option (see [Section 6.7.2.3](#)).
- Global variables are initialized at *load time*. Use the `--ram_model` linker option (see [Section 6.7.2.5](#)).

When you link a C/C++ program, you must use either the `--rom_model` or `--ram_model` option. These options tell the linker to select initialization at run time or load time. When you compile and link programs, the `--rom_model` option is the default. If used, the `--rom_model` option must follow the `--run_linker` option (see [Section 4.1](#)). For details on linking conventions used with `--rom_model` and `--ram_model`, see [Section 6.7.2.3](#) and [Section 6.7.2.5](#), respectively.

NOTE: Boot Loader

A loader is not included as part of the C/C++ compiler tools. You can use the PRU emulator with the source debugger as a loader. See the "Program Loading and Running" chapter of the *PRU Assembly Language Tools User's Guide* for more about boot loading.

4.3.5 Specifying Where to Allocate Sections in Memory

The compiler produces relocatable blocks of code and data. These blocks, called *sections*, are allocated in memory in a variety of ways to conform to a variety of system configurations. See [Section 6.1.1](#) for a complete description of how the compiler uses these sections.

The compiler creates two basic kinds of sections: initialized and uninitialized. [Table 4-1](#) summarizes the initialized sections. [Table 4-2](#) summarizes the uninitialized sections.

Table 4-1. Initialized Sections Created by the Compiler

Name	Contents
.binit	Boot time copy tables (See the <i>Assembly Language Tools User's Guide</i> for information on BINIT in linker command files.)
.cinit	Tables for initializing global data at runtime.
.data	Initialized non-const near data.
.fardata	Initialized non-const far data.
.init_array	Table of constructors to be called at startup.
.ovly	Copy tables other than boot time (.binit) copy tables. Read-only data.
.rodata	Constant read-only near data.
.rofardata	Constant read-only far data.
.text	Executable code.
.TI.crctab	Generated CRC checking tables. Read-only data.

Table 4-2. Uninitialized Sections Created by the Compiler

Name	Contents
.args	Linker-created section used to pass arguments in the argv array to main
.bss	Uninitialized near data
.farbss	Uninitialized far data
.stack	Stack space (size is controlled by -stack option)
.systemem	Heap for dynamic memory allocation by malloc, etc. (Size is controlled by -heap option.)

When you link your program, you must specify where to allocate the sections in memory. In general, initialized sections are linked into ROM or RAM; uninitialized sections are linked into RAM. All data sections should be allocated on page 1 and all executable sections should be allocated on page 0.

The linker provides MEMORY and SECTIONS directives for allocating sections. For more information about allocating sections into memory, see the *PRU Assembly Language Tools User's Guide*.

4.3.6 A Sample Linker Command File

[Example 4-2](#) shows a typical linker command file that links a C program. The command file in this example is named `Ink.cmd` and lists several link options:

-cr	Same as <code>--ram_model</code> . Tells the linker to initialize variables at load time
-stack	Tells the linker to set the C stack size to 0x8000 bytes
-heap	Tells the linker to set the heap size to 0x8000 bytes

To link the program, use the following syntax:

```
clpru --run_linker object_file(s) --output_file outfile --map_file mapfile Ink32.cmd
```


Example 4-2. Linker Command File

```

-cr                                     /* LINK USING C CONVENTIONS      */
-stack 0x8000                          /* SOFTWARE STACK SIZE           */
-heap 0x8000                            /* HEAP AREA SIZE                */
/*--args 0x100 */

/* SPECIFY THE SYSTEM MEMORY MAP */

MEMORY
{
    PAGE 0:
        P_MEM      : org = 0x00000008   len = 0x0003FFF8

    PAGE 1:
        NEAR_MEM   : org = 0x00000008   len = 0x0000FFF8
        FAR_MEM    : org = 0x00010000   len = 0x80000000
}

/* SPECIFY THE SECTIONS ALLOCATION INTO MEMORY */

SECTIONS
{
    .bss          : {} > NEAR_MEM, PAGE 1
    .data         : {} > NEAR_MEM, PAGE 1 palign=2
    .rodata       : {} > NEAR_MEM, PAGE 1

    .farbss       : {} > FAR_MEM, PAGE 1
    .fardata      : {} > FAR_MEM, PAGE 1
    .rofarbss     : {} > FAR_MEM, PAGE 1

    /* In far memory for validation purposes */
    .systemem     : {} > FAR_MEM, PAGE 1
    .stack        : {} > FAR_MEM, PAGE 1
    .init_array   : {} > FAR_MEM, PAGE 1
    .cinit        : {} > FAR_MEM, PAGE 1

    .args         : {} > NEAR_MEM, PAGE 1

    .text         : {} > P_MEM, PAGE 0
}

```

C/C++ Language Implementation

The C/C++ compiler supports the C/C++ language standard that was developed by a committee of the American National Standards Institute (ANSI) and subsequently adopted by the International Standards Organization (ISO).

The C++ language supported by the PRU is defined by the ANSI/ISO/IEC 14882:2003 standard with certain exceptions.

Topic	Page
5.1 Characteristics of PRU C.....	67
5.2 Characteristics of PRU C++	71
5.3 Using MISRA C 2004.....	72
5.4 Data Types	73
5.5 Keywords	74
5.6 C++ Exception Handling.....	76
5.7 Register Variables and Parameters.....	77
5.8 The <code>__asm</code> Statement	78
5.9 Pragma Directives	79
5.10 The <code>_Pragma</code> Operator.....	92
5.11 PRU Instruction Intrinsics	93
5.12 Object File Symbol Naming Conventions (Linknames).....	94
5.13 Changing the ANSI/ISO C/C++ Language Mode.....	95
5.14 GNU Language Extensions.....	98
5.15 Compiler Limits	102

5.1 Characteristics of PRU C

The C compiler supports the 1989 and 1999 versions of the C language:

- **C89.** Compiling with the `--c89` option causes the compiler to conform to the ISO/IEC 9899:1990 C standard, which was previously ratified as ANSI X3.159-1989. The names "C89" and "C90" refer to the same programming language. "C89" is used in this document.
- **C99.** Compiling with the `--c99` option causes the compiler to conform to the ISO/IEC 9899:1999 C standard. This standard supports several features not part of C89, such as inline functions, new data types, and one-line comments beginning with `//`.

The C language is also described in the second edition of Kernighan and Ritchie's *The C Programming Language* (K&R). The compiler can also accept many of the language extensions found in the GNU C compiler (see [Section 5.14](#)).

The compiler supports some features of C99 in the default relaxed ANSI mode with C89 support. It supports all language features of C99 in C99 mode. See [Section 5.13](#).

The ANSI/ISO standard identifies some features of the C language that may be affected by characteristics of the target processor, run-time environment, or host environment. This set of features can differ among standard compilers.

Unsupported features of the C library are:

- The run-time library has minimal support for wide and multibyte characters. The type `wchar_t` is implemented as `int`. The wide character set is equivalent to the set of values of type `char`. The library includes the header files `<wchar.h>` and `<wctype.h>`, but does not include all the functions specified in the standard.
- The run-time library includes the header file `<locale.h>`, but with a minimal implementation. The only supported locale is the C locale. That is, library behavior that is specified to vary by locale is hard-coded to the behavior of the C locale, and attempting to install a different locale by way of a call to `setlocale()` will return `NULL`.
- Some run-time functions and features in the C99 specification are not supported. See [Section 5.13](#).

5.1.1 Implementation-Defined Behavior

The C standard requires that conforming implementations provide documentation on how the compiler handles instances of implementation-defined behavior.

The TI compiler officially supports a freestanding environment. The C standard does not require a freestanding environment to supply every C feature; in particular the library need not be complete. However, the TI compiler strives to provide most features of a hosted environment.

The section numbers in the lists that follow correspond to section numbers in Appendix J of the C99 standard. The numbers in parentheses at the end of each item are sections in the C99 standard that discuss the topic. Certain items listed in Appendix J of the C99 standard have been omitted from this list.

J.3.1 Translation

- The compiler and related tools emit diagnostic messages with several distinct formats. Diagnostic messages are emitted to `stderr`; any text on `stderr` may be assumed to be a diagnostic. If any errors are present, the tool will exit with an exit status indicating failure (non-zero). (3.10, 5.1.1.3)
- Nonempty sequences of white-space characters are preserved and are not replaced by a single space character in translation phase 3. (5.1.1.2)

J.3.2 Environment

- The compiler does not support multibyte characters in identifiers, so there is no mapping from multibyte characters to the source character set. However, the compiler accepts multibyte characters in comments, string literals, and character constants in the physical source file. (5.1.1.2)
- The name of the function called at program startup is "main" (5.1.2.1)

- Program termination does not affect the environment; there is no way to return an exit code to the environment. By default, the program is known to have halted when execution reaches the special C\$EXIT label. (5.1.2.1)
- In relaxed ANSI mode, the compiler accepts "void main(void)" and "void main(int argc, char *argv[])" as alternate definitions of main. The alternate definitions are rejected in strict ANSI mode. (5.1.2.2.1)
- If space is provided for program arguments at link time with the --args option and the program is run under a system that can populate the .args section (such as CCS), argv[0] will contain the filename of the executable, argv[1] through argv[argc-1] will contain the command-line arguments to the program, and argv[argc] will be NULL. Otherwise, the value of argv and argc are undefined. (5.1.2.2.1)
- Interactive devices include stdin, stdout, and stderr (when attached to a system that honors CIO requests). Interactive devices are not limited to those output locations; the program may access hardware peripherals that interact with the external state. (5.1.2.3)
- Signals are not supported. The function signal is not supported. (7.14) (7.14.1.1)
- The library function getenv is implemented through the CIO interface. If the program is run under a system that supports CIO, the system performs getenv calls on the host system and passes the result back to the program. Otherwise the operation of getenv is undefined. No method of changing the environment from inside the target program is provided. (7.20.4.5)
- The system function is not supported. (7.20.4.6).

J.3.3. Identifiers

- The compiler does not support multibyte characters in identifiers. (6.4.2)
- The number of significant initial characters in an identifier is unlimited. (5.2.4.1, 6.4.2)

J.3.4 Characters

- The number of bits in a byte (CHAR_BIT) is 8. See Section 5.4 for details about data types. (3.6)
- The execution character set is the same as the basic execution character set: plain ASCII. (5.2.1)
- The values produced for the standard alphabetic escape sequences are as follows: (5.2.2)

Escape Sequence	ASCII Meaning	Integer Value
\a	BEL (bell)	7
\b	BS (backspace)	8
\f	FF (form feed)	12
\n	LF (line feed)	10
\r	CR (carriage return)	13
\t	HT (horizontal tab)	9
\v	VT (vertical tab)	11

- The value of a char object into which any character other than a member of the basic execution character set has been stored is the ASCII value of that character. (6.2.5)
- Plain char is identical to signed char, but can be changed to unsigned char with the --plain_char=unsigned option. (6.2.5, 6.3.1.1)
- The source character set and execution character set are both plain ASCII, so the mapping between them is one-to-one. The compiler does accept multibyte characters in comments, string literals, and character constants. (6.4.4.4, 5.1.1.2)
- The compiler currently supports only one locale, "C". (6.4.4.4).
- The compiler currently supports only one locale, "C". (6.4.5).

J.3.5 Integers

- No extended integer types are provided. (6.2.5)
- Negative values for signed integer types are represented as two's complement, and there are no trap representations. (6.2.6.2)
- No extended integer types are provided, so there is no change to the integer ranks. (6.3.1.1)
- When an integer is converted to a signed integer type which cannot represent the value, the value is

truncated (without raising a signal) by discarding the bits which cannot be stored in the destination type; the lowest bits are not modified. (6.3.1.3)

- Right shift of a signed integer value performs an arithmetic (signed) shift. The bitwise operations other than right shift operate on the bits in exactly the same way as on an unsigned value. That is, after the usual arithmetic conversions, the bitwise operation is performed without regard to the format of the integer type, in particular the sign bit. (6.5)

J.3.6 Floating point

- The accuracy of floating-point operations (+ - * /) is bit-exact. The accuracy of library functions that return floating-point results is not specified. (5.2.4.2.2)
- The compiler does not provide non-standard values for FLT_ROUNDS (5.2.4.2.2)
- The compiler does not provide non-standard negative values of FLT_EVAL_METHOD (5.2.4.2.2)
- The rounding direction when an integer is converted to a floating-point number is IEEE-754 "round to even". (6.3.1.4)
- The rounding direction when a floating-point number is converted to a narrower floating-point number is IEEE-754 "round to even". (6.3.1.5)
- For floating-point constants that are not exactly representable, the implementation uses the nearest representable value. (6.4.4.2)
- The compiler does not contract float expressions. (6.5)
- The default state for the FENV_ACCESS pragma is off. (7.6.1)
- The TI compiler does not define any additional float exceptions (7.6, 7.12)
- The default state for the FP_CONTRACT pragma is off. (7.12.2)
- The "inexact" floating-point exception cannot be raised if the rounded result equals the mathematical result. (F.9)
- The "underflow" and "inexact" floating-point exceptions cannot be raised if the result is tiny but not inexact. (F.9)

J.3.7 Arrays and pointers

- When converting a pointer to an integer or vice versa, the pointer is considered an unsigned integer of the same size, and the normal integer conversion rules apply.
- When converting a pointer to an integer or vice versa, if the bitwise representation of the destination can hold all of the bits in the bitwise representation of the source, the bits are copied exactly. (6.3.2.3)
- The size of the result of subtracting two pointers to elements of the same array is the size of ptrdiff_t, which is defined in [Section 5.4](#). (6.5.6)

J.3.8 Hints

- When the optimizer is used, the register storage-class specifier is ignored. When the optimizer is not used, the compiler will preferentially place register storage class objects into registers to the extent possible. The compiler reserves the right to place any register storage class object somewhere other than a register. (6.7.1)
- The inline function specifier is ignored unless the optimizer is used. For other restrictions on inlining, see [Section 2.11.2](#). (6.7.4)

J.3.9 Structures, unions, enumerations, and bit-fields

- A "plain" int bit-field is treated as a signed int bit-field. (6.7.2, 6.7.2.1)
- In addition to _Bool, signed int, and unsigned int, the compiler allows char, signed char, unsigned char, signed short, unsigned short, signed long, unsigned long, signed long long, unsigned long long, and enum types as bit-field types. (6.7.2.1)
- Bit-fields may not straddle a storage-unit boundary. (6.7.2.1)
- Bit-fields are allocated in endianness order within a unit. (6.7.2.1)
- Non-bit-field members of structures are aligned as specified in (6.7.2.1)
- The integer type underlying each enumerated type is described in [Section 5.4.1](#). (6.7.2.2)

J.3.10 Qualifiers

- The TI compiler does not shrink or grow volatile accesses. It is the user's responsibility to make sure the access size is appropriate for devices that only tolerate accesses of certain widths. The TI compiler does not change the number of accesses to a volatile variable unless absolutely necessary. This is significant for read-modify-write expressions such as `+=` ; for an architecture which does not have a corresponding read-modify-write instruction, the compiler will be forced to use two accesses, one for the read and one for the write. Even for architectures with such instructions, it is not guaranteed that the compiler will be able to map such expressions to an instruction with a single memory operand. It is not guaranteed that the memory system will lock that memory location for the duration of the instruction. In a multi-core system, some other core may write the location after a RMW instruction reads it, but before it writes the result. The TI compiler will not reorder two volatile accesses, but it may reorder a volatile and a non-volatile access, so volatile cannot be used to create a critical section. Use some sort of lock if you need to create a critical section. (6.7.3)

J.3.11 Preprocessing directives

- Include directives may have one of two forms, `" "` or `< >`. For both forms, the compiler will look for a real file on-disk by that name using the include file search path. See [Section 2.5.2](#). (6.4.7).
- The value of a character constant in a constant expression that controls conditional inclusion matches the value of the same character constant in the execution character set (both are ASCII). (6.10.1).
- The compiler uses the file search path to search for an included `< >` delimited header file. See [Section 2.5.2](#). (6.10.2).
- The compiler uses the file search path to search for an included `" "` delimited header file. See [Section 2.5.2](#). (6.10.2).
- There is no arbitrary nesting limit for `#include` processing. (6.10.2).
- See [Section 5.9](#) for a description of the recognized non-standard pragmas. (6.10.6).
- The date and time of translation are always available from the host. (6.10.8).

J.3.12 Library functions

- Almost all of the library functions required for a hosted implementation are provided by the TI library, with exceptions noted in [Section 5.13.1](#). (5.1.2.1).
- The format of the diagnostic printed by the `assert` macro is "Assertion failed, (*assertion macro argument*), file *file*, line *line*". (7.2.1.1).
- No strings other than "C" and "" may be passed as the second argument to the `setlocale` function (7.11.1.1).
- No signal handling is supported. (7.14.1.1).
- The `+INF`, `-INF`, `+inf`, `-inf`, `NAN`, and `nan` styles can be used to print an infinity or NaN. (7.19.6.1, 7.24.2.1).
- The output for `%p` conversion in the `fprintf` or `fwprintf` function is the same as `%x` of the appropriate size. (7.19.6.1, 7.24.2.1).
- The termination status returned to the host environment by the `abort`, `exit`, or `_Exit` function is not returned to the host environment. (7.20.4.1, 7.20.4.3, 7.20.4.4).
- The system function is not supported. (7.20.4.6).

J.3.13 Architecture

- The values or expressions assigned to the macros specified in the headers `float.h`, `limits.h`, and `stdint.h` are described along with the sizes and format of integer types are described in [Section 5.4](#). (5.2.4.2, 7.18.2, 7.18.3)
- The number, order, and encoding of bytes in any object are described in [Section 6.2.1](#). (6.2.6.1)
- The value of the result of the `sizeof` operator is the storage size for each type, in terms of bytes. See [Section 6.2.1](#). (6.5.3.4)

5.2 Characteristics of PRU C++

The PRU compiler supports C++ as defined in the ANSI/ISO/IEC 14882:2003 standard (C++03), including these features:

- Complete C++ standard library support, with exceptions noted below.
- Templates
- Exceptions, which are enabled with the `--exceptions` option; see [Section 5.6](#).
- Run-time type information (RTTI), which can be enabled with the `--rtti` compiler option.

The compiler supports the 2003 standard of C++ as standardized by the ISO. However, the following features are *not* implemented or fully supported:

- The compiler does not support embedded C++ run-time-support libraries.
- The library supports wide chars (`wchar_t`), in that template functions and classes that are defined for `char` are also available for `wchar_t`. For example, wide char stream classes `wios`, `wostream`, `wstreambuf` and so on (corresponding to char classes `ios`, `iostream`, `streambuf`) are implemented. However, there is no low-level file I/O for wide chars. Also, the C library interface to wide char support (through the C++ headers `<wchar>` and `<cwctype>`) is limited as described above in the C library.
- The `export` keyword is not implemented.

5.3 Using MISRA C 2004

MISRA C is a set of software development guidelines for the C programming language. It promotes best practices in developing safety-related electronic systems in road vehicles and other embedded systems. MISRA C was originally launched in 1998 by the Motor Industry Software Reliability Association, and has since been adopted across a wide variety of industries. A subsequent update to the guidelines was published as MISRA C:2004.

You can alter your code to work with the MISRA C:2004 rules. The following options and pragmas can be used to enable/disable rules:

- The `--check_misra` option enables checking of the specified MISRA C:2004 rules. This compiler option must be used if you want to enable further control over checking using the `CHECK_MISRA` and `RESET_MISRA` pragmas.
- The `CHECK_MISRA` pragma enables/disables MISRA C:2004 rules at the source level. See [Section 5.9.2](#).
- The `RESET_MISRA` pragma resets the specified MISRA C:2004 rules to their state before any `CHECK_MISRA` pragmas were processed. See [Section 5.9.18](#).

The syntax of the option and the pragmas is:

```
--check_misra={all|required|advisory|none|rulespec}
#pragma CHECK_MISRA ("{all|required|advisory|none|rulespec}")
#pragma RESET_MISRA ("{all|required|advisory|rulespec}")
```

The *rulespec* parameter is a comma-separated list of rule numbers to enable or disable.

Example: `--check_misra=1.1,1.4,1.5,2.1,2.7,7.1,7.2,8.4`

- Enables checking of rules 1.1, 1.4, 1.5, 2.1, 2.7, 7.1, 7.2, and 8.4.

Example: `#pragma CHECK_MISRA("-7.1,-7.2,-8.4")`

- Disables checking of rules 7.1, 7.2, and 8.4.

A typical use case is to use the `--check_misra` option on the command line to specify the rules that should be checked in most of your code. Then, use the `CHECK_MISRA` pragma with a *rulespec* to activate or deactivate certain rules for a particular region of code.

Two options control the severity of certain MISRA C:2004 rules:

- The `--misra_required` option sets the diagnostic severity for required MISRA C:2004 rules.
- The `--misra_advisory` option sets the diagnostic severity for advisory MISRA C:2004 rules.

The syntax for these options is:

```
--misra_advisory={error|warning|remark|suppress}
--misra_required={error|warning|remark|suppress}
```


5.4 Data Types

Table 5-1 lists the size, representation, and range of each scalar data type for the PRU compiler. Many of the range values are available as standard macros in the header file limits.h.

Table 5-1. PRU C/C++ Data Types

Type	Size	Representation	Range	
			Minimum	Maximum
signed char char (unless -- plain_char=unsigned)	8 bits	ASCII	-128	127
unsigned char	8 bits	ASCII	0	255
short, signed short	16 bits	Binary	-32 768	32 767
unsigned short	16 bits	Binary	0	65 535
int, signed int	32 bits	Binary	-2 147 483 648	2 147 483 647
unsigned int, wchar_t	32 bits	Binary	0	4 294 967 295
long, signed long	32 bits	Binary	-2 147 483 648	2 147 483 647
unsigned long	32 bits	Binary	0	4 294 967 295
long long, signed long long	64 bits	Binary	-9 223 372 036 854 775 808	9 223 372 036 854 775 807
unsigned long long	64 bits	Binary	0	18 446 744 073 709 551 615
float	32 bits	IEEE 32-bit	1.175 494e-38 ⁽¹⁾	3.40 282 346e+38
double	64 bits	IEEE 64-bit	2.22 507 385e-308 ⁽¹⁾	1.79 769 313e+308
long double	64 bits	IEEE 64-bit	2.22 507 385e-308 ⁽¹⁾	1.79 769 313e+308
data pointers	32 bits	Binary	0	0xFFFFFFFF
code pointers	16 bits	Binary	0	0xFFFF

⁽¹⁾ Figures are minimum precision.

All data types are single-byte aligned.

Negative values for signed types are represented using two's complement.

The type of the storage container for an enumerated type is the smallest integer type that contains all the enumerated values. The container types for enumerators are shown in Table 5-2.

Table 5-2. Enumerator Types

Lower Bound Range	Upper Bound Range	Enumerator Type
0 to 255	0 to 255	unsigned char
-128 to 1	-128 to 127	signed char
0 to 65 535	256 to 65 535	unsigned short
-128 to 1	128 to 32 767	short, signed short
-32 768 to -129	-32 768 to 32 767	
0 to 4 294 967 295	2 147 483 648 to 4 294 967 295	unsigned int
-32 768 to -1	32 767 to 2 147 483 647	int, signed int
-2 147 483 648 to -32 769	-2 147 483 648 to 2 147 483 647	
0 to 2 147 483 647	65 536 to 2 147 483 647	

The compiler determines the type based on the range of the lowest and highest elements of the enumerator. For example, the following code results in an enumerator type of int:

```
enum COLORS
{
    green = -200,
    blue = 1,
    yellow = 2,
    red = 60000
};
```

The following code results in an enumerator type of short:

```
enum COLORS
{
    green = -200,
    blue  = 1,
    yellow = 2,
    red   = 3
};
```

See [Section 6.2.1](#) for additional information about data type storage.

5.4.1 Size of Enum Types

An enum type is represented by an underlying integer type. The size of the integer type and whether it is signed is based on the range of values of the enumerated constants.

In strict C89 or C99 mode, the compiler allows only enumeration constants with values that will fit in "int" or "unsigned int".

For C++ and relaxed C89/C99, the compiler allows enumeration constants up to the largest integral type (64 bits). The default, which is recommended, is for the underlying type to be the first type in the following list in which all the enumerated constant values can be represented: int, unsigned int, long, unsigned long, long long, unsigned long long.

Enums are always packed and are aligned on a single-byte boundary.

5.5 Keywords

The PRU C/C++ compiler supports all of the standard C89 keywords, including `const`, `volatile`, and `register`. It also supports all of the standard C99 keywords, including `inline` and `restrict`. It also supports TI extension keywords `__near`, `__far`, and `__asm`. Some keywords are not available in strict ANSI mode.

The following keywords may appear in other target documentation and require the same treatment as the `restrict` keyword:

- `trap`
- `reentrant`
- `cregister`

5.5.1 The `const` Keyword

The C/C++ compiler supports the ANSI/ISO standard keyword `const` in all modes.

This keyword gives you greater optimization and control over allocation for certain data objects. You can apply the `const` qualifier to the definition of any variable or array to ensure that its value is not altered.

Global objects qualified as `const` are placed in the `.const` section. The linker allocates the `.const` section from ROM or FLASH, which are typically more plentiful than RAM. The `const` data storage allocation rule has the following exceptions:

- If `volatile` is also specified in the object definition. For example, `volatile const int x`. Volatile keywords are assumed to be allocated to RAM. (The program is not allowed to modify a `const volatile` object, but something external to the program might.)
- If the object has automatic storage (`()`).
- If the object is a C++ object with a "mutable" member.
- If the object is initialized with a value that is not known at compile time (such as the value of another variable).

In these cases, the storage for the object is the same as if the `const` keyword were not used.

The placement of the `const` keyword within a definition is important. For example, the first statement below defines a constant pointer `p` to a modifiable `int`. The second statement defines a modifiable pointer `q` to a constant `int`:

```
int * const p = &x;
const int * q = &x;
```

Using the `const` keyword, you can define large constant tables and allocate them into system ROM. For example, to allocate a ROM table, you could use the following definition:

```
const int digits[] = {0,1,2,3,4,5,6,7,8,9};
```

5.5.2 The near and far Keywords

The PRU can load a 16-bit address into a register with a single instruction. However, pointers are 32 bits and load/store instructions can load from the full 32-bit address space. The near and far keywords allow more efficient loading of data.

The near and far keywords can be applied to any data symbol. The `__near` and `__far` keywords are also accepted and are available even when `--strict_ansi` is specified. The `__near` and `__far` keywords are guaranteed to not conflict with any user symbols named "near" and "far".

The near keyword asserts that a symbol will be in the lower 16 bits of memory. By default all symbols are near. The PRU local memory is always in the lower 16 bits; most accesses to the upper memory range will be for peripheral accesses.

The far keyword asserts that a symbol *may* be in the upper 16 bits of memory. It is legal to place far data in the lower 16 bits of memory. All symbols that will reside in the upper 16 bits of memory must be declared using far, even if they have the `cregister` attribute.

A `cregister` symbol can have a far qualifier and be a near `cregister` access. See [Section 5.14.4](#) for information about type attributes, including `cregister`. For example:

```
__far int peripheral __attribute__((cregister("PERIPH", near)));
```

This means that relative to the `cregister` access `peripheral`, this is a near access. However, if accessed using an absolute address, this is a far access. This is important because the compiler may choose to not access a peripheral using a `cregister` access.

5.5.3 The volatile Keyword

The C/C++ compiler supports the *volatile* keyword in all modes. In addition, the `__volatile` keyword is supported in relaxed ANSI mode for C89, C99, and C++.

The volatile keyword indicates to the compiler that there is something about how the variable is accessed that requires that the compiler not use overly-clever optimization on expressions involving that variable. For example, the variable may also be accessed by an external program, another thread, or a peripheral device.

The compiler eliminates redundant memory accesses whenever possible, using data flow analysis to figure out when it is legal. However, some memory accesses may be special in some way that the compiler cannot see, and in such cases you should use the volatile keyword to prevent the compiler from optimizing away something important. The compiler does not optimize out any accesses to variables declared volatile. The number of volatile reads and writes will be exactly as they appear in the C/C++ code, no more and no less and in the same order.

Any variable which might be modified by something external to the obvious control flow of the program must be declared volatile. This tells the compiler that a function might modify the value at any time, so the compiler should not perform optimizations which will change the number or order of accesses of that variable. This is the primary purpose of the volatile keyword. In the following example, the loop intends to wait for a location to be read as 0xFF:

```
unsigned int *ctrl;
while (*ctrl !=0xFF);
```

However, in this example, `*ctrl` is a loop-invariant expression, so the loop is optimized down to a single-memory read. To get the desired result, define `ctrl` as:

```
volatile unsigned int *ctrl;
```

Here the `*ctrl` pointer is intended to reference a hardware location.

The volatile keyword must also be used when accessing memory locations that represent memory-mapped peripheral devices. Such memory locations might change value in ways that the compiler cannot predict. These locations might change if accessed, or when some other memory location is accessed, or when some signal occurs.

Volatile must also be used for local variables in a function which calls `setjmp`, if the value of the local variables needs to remain valid if a `longjmp` occurs.

Example 5-1. Volatile for Local Variables With `setjmp`

```

#include <stdlib.h>
jmp_buf context;
void function()
{
    volatile int x = 3;
    switch(setjmp(context))
    {
        case 0: setup(); break;
        default:
        {
            printf("x == %d\n", x); /* We can only reach here if longjmp has occurred; because x's
                                   lifetime begins before the setjmp and lasts through the longjmp,
                                   the C standard requires x be declared "volatile" */

            break;
        }
    }
}

```

5.6 C++ Exception Handling

The compiler supports all the C++ exception handling features as defined by the ANSI/ISO 14882 C++ Standard. More details are discussed in *The C++ Programming Language, Third Edition* by Bjarne Stroustrup.

The compiler `--exceptions` option enables exception handling. The compiler's default is no exception handling support.

For exceptions to work correctly, all C++ files in the application must be compiled with the `--exceptions` option, regardless of whether exceptions occur in a particular file. Mixing exception-enabled object files and libraries with object files and libraries that do not have exceptions enabled can lead to undefined behavior.

Exception handling requires support in the run-time-support library, which come in exception-enabled and exception-disabled forms; you must link with the correct form. When using automatic library selection (the default), the linker automatically selects the correct library [Section 4.3.1.1](#). If you select the library manually, you must use run-time-support libraries whose name contains `_eh` if you enable exceptions.

Using the `--exceptions` option causes the compiler to insert exception handling code. This code will increase the size of the program and the execution time, even if an exception is never thrown.

See [Section 7.1](#) for details on the run-time libraries.

5.7 Register Variables and Parameters

The C/C++ compiler allows the use of the keyword `register` on global and local register variables and parameters. This section describes the compiler implementation for this qualifier.

5.7.1 Local Register Variables and Parameters

The C/C++ compiler treats register variables (variables defined with the `register` keyword) differently, depending on whether you use the `--opt_level (-O)` option.

- **Compiling with optimization**

The compiler ignores any register definitions and allocates registers to variables and temporary values by using an algorithm that makes the most efficient use of registers.

- **Compiling without optimization**

If you use the `register` keyword, you can suggest variables as candidates for allocation into registers. The compiler uses the same set of registers for allocating temporary expression results as it uses for allocating register variables.

The compiler attempts to honor all register definitions. If the compiler runs out of appropriate registers, it frees a register by moving its contents to memory. If you define too many objects as register variables, you limit the number of registers the compiler has for temporary expression results. This limit causes excessive movement of register contents to memory.

Any object with a scalar type (integral, floating point, or pointer) can be defined as a register variable. The register designator is ignored for objects of other types, such as arrays.

The register storage class is meaningful for parameters as well as local variables. Normally, in a function, some of the parameters are copied to a location on the stack where they are referenced during the function body. The compiler copies a register parameter to a register instead of the stack, which speeds access to the parameter within the function.

For more information about register conventions, see [Section 6.3](#).

5.7.2 Global Register Variables

The C/C++ compiler extends the C language by adding a special convention to the register storage class specifier to allow the allocation of global registers. This special global declaration has the form:

```
register type regid
```

The *regid* parameter can be `__R30` and `__R31`. The identifiers `__R30` and `__R31` are each bound to their corresponding register R30 and R31, respectively. These are control registers and should always be declared as volatile. For example:

```
volatile register unsigned int __R31;
```

```
__R31 |= 1;
```

5.8 The `__asm` Statement

The C/C++ compiler can embed assembly language instructions or directives directly into the assembly language output of the compiler. This capability is an extension to the C/C++ language implemented through the `__asm` keyword. The `__asm` keyword provides access to hardware features that C/C++ cannot provide.

The alternate keyword, "asm", may also be used except in strict ANSI C mode. It is available in relaxed C and C++ modes.

Using `__asm` is syntactically performed as a call to a function named `__asm`, with one string constant argument:

```
__asm(" assembler text ");
```

The compiler copies the argument string directly into your output file. The assembler text must be enclosed in double quotes. All the usual character string escape codes retain their definitions. For example, you can insert a `.byte` directive that contains quotes as follows:

```
__asm("STR: .byte \"abc\"");
```

The inserted code must be a legal assembly language statement. Like all assembly language statements, the line of code inside the quotes must begin with a label, a blank, a tab, or a comment (asterisk or semicolon). The compiler performs no checking on the string; if there is an error, the assembler detects it. For more information about the assembly language statements, see the *PRU Assembly Language Tools User's Guide*.

The `__asm` statements do not follow the syntactic restrictions of normal C/C++ statements. Each can appear as a statement or a declaration, even outside of blocks. This is useful for inserting directives at the very beginning of a compiled module.

The `__asm` statement does not provide any way to refer to local variables. If your assembly code needs to refer to local variables, you will need to write the entire function in assembly code.

For more information, refer to [Section 6.6.5](#).

NOTE: Avoid Disrupting the C/C++ Environment With `asm` Statements

Be careful not to disrupt the C/C++ environment with `__asm` statements. The compiler does not check the inserted instructions. Inserting jumps and labels into C/C++ code can cause unpredictable results in variables manipulated in or around the inserted code. Directives that change sections or otherwise affect the assembly environment can also be troublesome.

Be especially careful when you use optimization with `__asm` statements. Although the compiler cannot remove `__asm` statements, it can significantly rearrange the code order near them and cause undesired results.

5.9 Pragma Directives

Pragma directives tell the compiler how to treat a certain function, object, or section of code. The C/C++ compiler supports the following pragmas:

- `CALLS` (See [Section 5.9.1](#))
- `CHECK_MISRA` (See [Section 5.9.2](#))
- `CODE_SECTION` (See [Section 5.9.3](#))
- `DATA_ALIGN` (See [Section 5.9.4](#))
- `DATA_SECTION` (See [Section 5.9.5](#))
- `diag_suppress`, `diag_remark`, `diag_warning`, `diag_error`, `diag_default`, `diag_push`, `diag_pop` (See [Section 5.9.6](#))
- `FORCEINLINE` (See [Section 5.9.7](#))
- `FORCEINLINE_RECURSIVE` (See [Section 5.9.8](#))
- `FUNC_ALWAYS_INLINE` (See [Section 5.9.9](#))
- `FUNC_CANNOT_INLINE` (See [Section 5.9.10](#))
- `FUNC_EXT_CALLED` (See [Section 5.9.11](#))
- `FUNCTION_OPTIONS` (See [Section 5.9.12](#))
- `LOCATION` (See [Section 5.9.13](#))
- `MUST_ITERATE` (See [Section 5.9.14](#))
- `NOINIT` (See [Section 5.9.15](#))
- `NOINLINE` (See [Section 5.9.16](#))
- `NO_HOOKS` (See [Section 5.9.17](#))
- `PERSISTENT` (See [Section 5.9.15](#))
- `RESET_MISRA` (See [Section 5.9.18](#))
- `RETAIN` (See [Section 5.9.19](#))
- `SET_CODE_SECTION` (See [Section 5.9.20](#))
- `SET_DATA_SECTION` (See [Section 5.9.20](#))
- `UNROLL` (See [Section 5.9.21](#))
- `WEAK` (See [Section 5.9.22](#))

arguments *func* and *symbol* cannot be defined or declared inside the body of a function. You must specify the pragma outside the body of a function; and the pragma specification must occur before any declaration, definition, or reference to the *func* or *symbol* argument. If you do not follow these rules, the compiler issues a warning and may ignore the pragma.

For pragmas that apply to functions or symbols, the syntax differs between C and C++.

- In C, you must supply the name of the object or function to which you are applying the pragma as the first argument. Because the entity operated on is specified, a pragma in C can appear some distance way from the definition of that entity.
- In C++, pragmas are positional. They do not name the entity on which they operate as an argument. Instead, they always operate on the next entity defined after the pragma.

5.9.1 The CALLS Pragma

The CALLS pragma specifies a set of functions that can be called indirectly from a specified calling function.

The CALLS pragma is used by the compiler to embed debug information about indirect calls in object files. Using the CALLS pragma on functions that make indirect calls enables such indirect calls to be included in calculations for such functions' inclusive stack sizes. For more information on generating function stack usage information, see the `-cg` option of the Object File Display Utility in the "Invoking the Object File Display Utility" section of the *Assembly Language Tools User's Guide*.

The CALLS pragma can precede either the calling function's definition or its declaration. In C, the pragma must have at least 2 arguments—the first argument is the calling function, followed by at least one function that will be indirectly called from the calling function. In C++, the pragma applies to the next function declared or defined, and the pragma must have at least one argument.

The syntax for the CALLS pragma in C is as follows. This indicates that `calling_function` can indirectly call `function_1` through `function_n`.

```
#pragma CALLS ( calling_function, function_1, function_2, ..., function_n )
```

The syntax for the CALLS pragma in C++ is:

```
#pragma CALLS ( function_1_mangled_name, ..., function_n_mangled_name )
```

Note that in C++, the arguments to the CALLS pragma must be the full mangled names for the functions that can be indirectly called from the calling function.

The GCC-style "calls" attribute syntax, which has the same effect as the CALLS pragma, is as follows:

```
__attribute__((calls("function_1","function_2",..., "function_n")))
```

5.9.2 The CHECK_MISRA Pragma

The CHECK_MISRA pragma enables/disables MISRA C:2004 rules at the source level. The compiler option `--check_misra` must be used to enable checking in order for this pragma to function at the source level.

The syntax of the pragma in C is:

```
#pragma CHECK_MISRA (" {all|required|advisory|none|rulespec} ")
```

The *rulespec* parameter is a comma-separated list of rule numbers. See [Section 5.3](#) for details.

The RESET_MISRA pragma can be used to reset any CHECK_MISRA pragmas; see [Section 5.9.18](#).

5.9.3 The `CODE_SECTION` Pragma

The `CODE_SECTION` pragma allocates space for the *symbol* in C, or the next symbol declared in C++, in a section named *section name*.

The syntax of the pragma in C is:

```
#pragma CODE_SECTION (symbol , "section name ")
```

The syntax of the pragma in C++ is:

```
#pragma CODE_SECTION (" section name ")
```

The `CODE_SECTION` pragma is useful if you have code objects that you want to link into an area separate from the `.text` section.

The following example demonstrates the use of the `CODE_SECTION` pragma.

Example 5-2. Using the `CODE_SECTION` Pragma C Source File

```
#pragma CODE_SECTION(fn, "my_sect")

int fn(int x)
{
    return x;
}
```

In this example, the `fn()` function will be placed in a section called "my_sect".

5.9.4 The `DATA_ALIGN` Pragma

The `DATA_ALIGN` pragma aligns the *symbol* in C, or the next symbol declared in C++, to an alignment boundary. The alignment boundary is the maximum of the symbol's default alignment value or the value of the *constant* in bytes. The constant must be a power of 2. The maximum alignment is 32768.

The `DATA_ALIGN` pragma cannot be used to reduce an object's natural alignment.

The syntax of the pragma in C is:

```
#pragma DATA_ALIGN ( symbol , constant )
```

The syntax of the pragma in C++ is:

```
#pragma DATA_ALIGN ( constant )
```

5.9.5 The DATA_SECTION Pragma

The DATA_SECTION pragma allocates space for the *symbol* in C, or the next symbol declared in C++, in a section named *section name*.

The syntax of the pragma in C is:

```
#pragma DATA_SECTION ( symbol , " section name ")
```

The syntax of the pragma in C++ is:

```
#pragma DATA_SECTION (" section name ")
```

The DATA_SECTION pragma is useful if you have data objects that you want to link into an area separate from the .bss section.

Example 5-3. Using the DATA_SECTION Pragma C Source File

```
#pragma DATA_SECTION(bufferB, "my_sect")
char bufferA[512];
char bufferB[512];
```

Example 5-4. Using the DATA_SECTION Pragma C++ Source File

```
char bufferA[512];
#pragma DATA_SECTION("my_sect")
char bufferB[512];
```

5.9.6 The Diagnostic Message Pragmas

The following pragmas can be used to control diagnostic messages in the same ways as the corresponding command line options:

Pragma	Option	Description
diag_suppress <i>num</i>	-pds= <i>num</i> [, <i>num</i> ₂ , <i>num</i> ₃ ...]	Suppress diagnostic <i>num</i>
diag_remark <i>num</i>	-pdsr= <i>num</i> [, <i>num</i> ₂ , <i>num</i> ₃ ...]	Treat diagnostic <i>num</i> as a remark
diag_warning <i>num</i>	-pds= <i>num</i> [, <i>num</i> ₂ , <i>num</i> ₃ ...]	Treat diagnostic <i>num</i> as a warning
diag_error <i>num</i>	-pdse= <i>num</i> [, <i>num</i> ₂ , <i>num</i> ₃ ...]	Treat diagnostic <i>num</i> as an error
diag_default <i>num</i>	n/a	Use default severity of the diagnostic
diag_push	n/a	Push the current diagnostics severity state to store it for later use.
diag_pop	n/a	Pop the most recent diagnostic severity state stored with #pragma diag_push to be the current setting.

The syntax of the diag_suppress, diag_remark, diag_warning, and diag_error pragmas in C is:

```
#pragma diag_xxx [=]num[, num2, num3...]
```

Notice that the names of these pragmas are in lowercase.

The diagnostic affected (*num*) is specified using either an error number or an error tag name. The equal sign (=) is optional. Any diagnostic can be overridden to be an error, but only diagnostic messages with a severity of discretionary error or below can have their severity reduced to a warning or below, or be suppressed. The diag_default pragma is used to return the severity of a diagnostic to the one that was in effect before any pragmas were issued (i.e., the normal severity of the message as modified by any command-line options).

The diagnostic identifier number is output with the message when you use the `-pden` command line option. The following example suppresses a diagnostic message and then restores the previous diagnostics severity state:

```
#pragma diag_push
#pragma diag_suppress 551
#pragma CHECK_MISRA("-9.1")
#pragma diag_pop
```

5.9.7 The **FORCEINLINE** Pragma

The **FORCEINLINE** pragma can be placed before a statement to force any function calls made in that statement to be inlined. It has no effect on other calls to the same functions.

The compiler only inlines a function if it is legal to inline the function. Functions are never inlined if the compiler is invoked with the `--opt_level=off` option. A function can be inlined even if the function is not declared with the `inline` keyword. A function can be inlined even if the compiler is not invoked with any `opt_level` command-line option.

The syntax of the pragma in C/C++ is:

#pragma FORCEINLINE

For example, in the following example, the `mytest()` and `getname()` functions are inlined, but the `error()` function is not.

```
#pragma FORCEINLINE
if (!mytest(getname(myvar))) {
    error();
}
```

Placing the **FORCEINLINE** pragma before the call to `error()` would inline that function but not the others.

For information about interactions between command-line options, pragmas, and keywords that affect inlining, see [Section 2.11](#).

Notice that the **FORCEINLINE**, **FORCEINLINE_RECURSIVE**, and **NOINLINE** pragmas affect only the C/C++ statement that follows the pragma. The **FUNC_ALWAYS_INLINE** and **FUNC_CANNOT_INLINE** pragmas affect an entire function.

5.9.8 The **FORCEINLINE_RECURSIVE** Pragma

The **FORCEINLINE_RECURSIVE** can be placed before a statement to force any function calls made in that statement to be inlined along with any calls made from those functions. That is, calls that are not visible in the statement but are called as a result of the statement will be inlined.

The syntax of the pragma in C/C++ is:

#pragma FORCEINLINE_RECURSIVE

For information about interactions between command-line options, pragmas, and keywords that affect inlining, see [Section 2.11](#).

5.9.9 The `FUNC_ALWAYS_INLINE` Pragma

The `FUNC_ALWAYS_INLINE` pragma instructs the compiler to always inline the named function.

The compiler only inlines a function if it is legal to inline the function. Functions are never inlined if the compiler is invoked with the `--opt_level=off` option. A function can be inlined even if the function is not declared with the `inline` keyword. A function can be inlined even if the compiler is not invoked with any `--opt_level` command-line option. See [Section 2.11](#) for details about interaction between various types of inlining.

This pragma must appear before any declaration or reference to the function that you want to inline. In C, the argument *func* is the name of the function that will be inlined. In C++, the pragma applies to the next function declared.

The syntax of the pragma in C is:

```
#pragma FUNC_ALWAYS_INLINE ( func )
```

The syntax of the pragma in C++ is:

```
#pragma FUNC_ALWAYS_INLINE
```

The following example uses this pragma:

```
#pragma FUNC_ALWAYS_INLINE(functionThatMustGetInlined)
static inline void functionThatMustGetInlined(void) {
    P1OUT |= 0x01;
    P1OUT &= ~0x01;
}
```

Use Caution with the `FUNC_ALWAYS_INLINE` Pragma

NOTE: The `FUNC_ALWAYS_INLINE` pragma overrides the compiler's inlining decisions. Overuse of this pragma could result in increased compilation times or memory usage, potentially enough to consume all available memory and result in compilation tool failures.

5.9.10 The `FUNC_CANNOT_INLINE` Pragma

The `FUNC_CANNOT_INLINE` pragma instructs the compiler that the named function cannot be expanded inline. Any function named with this pragma overrides any inlining you designate in any other way, such as using the `inline` keyword. Automatic inlining is also overridden with this pragma; see [Section 2.11](#).

The pragma must appear before any declaration or reference to the function that you want to keep. In C, the argument *func* is the name of the function that cannot be inlined. In C++, the pragma applies to the next function declared.

The syntax of the pragma in C is:

```
#pragma FUNC_CANNOT_INLINE ( func )
```

The syntax of the pragma in C++ is:

```
#pragma FUNC_CANNOT_INLINE
```

5.9.11 The **FUNC_EXT_CALLED** Pragma

When you use the `--program_level_compile` option, the compiler uses program-level optimization. When you use this type of optimization, the compiler removes any function that is not called, directly or indirectly, by `main()`. You might have C/C++ functions that are called instead of `main()`.

The `FUNC_EXT_CALLED` pragma specifies that the optimizer should keep these C functions or any functions these C/C++ functions call. These functions act as entry points into C/C++. The pragma must appear before any declaration or reference to the function to keep. In C, the argument *func* is the name of the function to keep. In C++, the pragma applies to the next function declared.

The syntax of the pragma in C is:

```
#pragma FUNC_EXT_CALLED ( func )
```

The syntax of the pragma in C++ is:

```
#pragma FUNC_EXT_CALLED
```

The name of the interrupt (the *func* argument) does not need to conform to a naming convention.

When you use program-level optimization, you may need to use the `FUNC_EXT_CALLED` pragma with certain options. See [Section 3.4.2](#).

5.9.12 The **FUNCTION_OPTIONS** Pragma

The `FUNCTION_OPTIONS` pragma allows you to compile a specific function in a C or C++ file with additional command-line compiler options. The affected function will be compiled as if the specified list of options appeared on the command line after all other compiler options. In C, the pragma is applied to the function specified. In C++, the pragma is applied to the next function.

The syntax of the pragma in C is:

```
#pragma FUNCTION_OPTIONS ( func, "additional options" )
```

The syntax of the pragma in C++ is:

```
#pragma FUNCTION_OPTIONS( "additional options" )
```

Supported options for this pragma are `--opt_level`, `--auto_inline`, `--code_state`, and `--opt_for_speed`. In order to use `--opt_level` and `--auto_inline` with the `FUNCTION_OPTIONS` pragma, the compiler must be invoked with some optimization level (that is, at least `--opt_level=0`).

5.9.13 The **LOCATION** Pragma

The compiler supports the ability to specify the run-time address of a variable at the source level. This can be accomplished with the `LOCATION` pragma or attribute.

The syntax of the pragma in C is:

```
#pragma LOCATION( x , address )  
int x
```

The syntax of the pragmas in C++ is:

```
#pragma LOCATION(address )  
int x
```

The syntax of the GCC attribute is:

```
int x __attribute__((location(address)))
```

The NOINIT pragma may be used in conjunction with the LOCATION pragma to map variables to special memory locations; see [Section 5.9.15](#).

5.9.14 The MUST_ITERATE Pragma

The MUST_ITERATE pragma specifies to the compiler certain properties of a loop. When you use this pragma, you are guaranteeing to the compiler that a loop executes a specific number of times or a number of times within a specified range.

Any time the UNROLL pragma is applied to a loop, MUST_ITERATE should be applied to the same loop. For loops the MUST_ITERATE pragma's third argument, *multiple*, is the most important and should always be specified.

Furthermore, the MUST_ITERATE pragma should be applied to any other loops as often as possible. This is because the information provided via the pragma (especially the minimum number of iterations) aids the compiler in choosing the best loops and loop transformations (that is, nested loop transformations). It also helps the compiler reduce code size.

No statements are allowed between the MUST_ITERATE pragma and the for, while, or do-while loop to which it applies. However, other pragmas, such as UNROLL, can appear between the MUST_ITERATE pragma and the loop.

5.9.14.1 The MUST_ITERATE Pragma Syntax

The syntax of the pragma for C and C++ is:

```
#pragma MUST_ITERATE ( min, max, multiple )
```

The arguments *min* and *max* are programmer-guaranteed minimum and maximum trip counts. The trip count is the number of times a loop iterates. The trip count of the loop must be evenly divisible by *multiple*. All arguments are optional. For example, if the trip count could be 5 or greater, you can specify the argument list as follows:

```
#pragma MUST_ITERATE(5)
```

However, if the trip count could be any nonzero multiple of 5, the pragma would look like this:

```
#pragma MUST_ITERATE(5, , 5) /* Note the blank field for max */
```

It is sometimes necessary for you to provide min and multiple in order for the compiler to perform unrolling. This is especially the case when the compiler cannot easily determine how many iterations the loop will perform (that is, the loop has a complex exit condition).

When specifying a multiple via the MUST_ITERATE pragma, results of the program are undefined if the trip count is not evenly divisible by multiple. Also, results of the program are undefined if the trip count is less than the minimum or greater than the maximum specified.

If no min is specified, zero is used. If no max is specified, the largest possible number is used. If multiple MUST_ITERATE pragmas are specified for the same loop, the smallest max and largest min are used.

5.9.14.2 Using MUST_ITERATE to Expand Compiler Knowledge of Loops

Through the use of the `MUST_ITERATE` pragma, you can guarantee that a loop executes a certain number of times. The example below tells the compiler that the loop is guaranteed to run exactly 10 times:

```
#pragma MUST_ITERATE(10,10)

for(i = 0; i < trip_count; i++) { ...
```

In this example, the compiler attempts to generate a loop even without the pragma. However, if `MUST_ITERATE` is not specified for a loop such as this, the compiler generates code to bypass the loop, to account for the possibility of 0 iterations. With the pragma specification, the compiler knows that the loop iterates at least once and can eliminate the loop-bypassing code.

`MUST_ITERATE` can specify a range for the trip count as well as a factor of the trip count. The following example tells the compiler that the loop executes between 8 and 48 times and the `trip_count` variable is a multiple of 8 (8, 16, 24, 32, 40, 48). The multiple argument allows the compiler to unroll the loop.

```
#pragma MUST_ITERATE(8, 48, 8)
for(i = 0; i < trip_count; i++) { ...
```

You should consider using `MUST_ITERATE` for loops with complicated bounds. In the following example, the compiler would have to generate a divide function call to determine, at run time, the number of iterations performed.

```
for(i2 = ipos[2]; i2 < 40; i2 += 5) { ...
```

The compiler will not do the above. In this case, using `MUST_ITERATE` to specify that the loop always executes eight times allows the compiler to attempt to generate a loop:

```
#pragma MUST_ITERATE(8, 8)

for(i2 = ipos[2]; i2 < 40; i2 += 5) { ...
```

5.9.15 The NOINIT and PERSISTENT Pragmas

Global and static variables are zero-initialized. However, in applications that use non-volatile memory, it may be desirable to have variables that are not initialized. `Noinit` variables are global or static variables that are not zero-initialized at startup or reset.

Persistent and `noinit` variables behave identically with the exception of whether or not they are initialized at load time.

The `NOINIT` pragma may be used in conjunction with the `LOCATION` pragma to map variables to special memory locations, like memory-mapped registers, without generating unwanted writes. The `NOINIT` pragma may only be used with uninitialized variables.

The `PERSISTENT` pragma is similar to the `NOINIT` pragma, except that it may only be used with statically-initialized variables. Persistent variables disable startup initialization; they are given an initial value when the code is loaded, but are never again initialized.

NOTE: When using these pragmas in non-volatile FRAM memory, the memory region could be protected against unintended writes through the device's Memory Protection Unit. Some devices have memory protection enabled by default. Please see the information about memory protection in the datasheet for your device. If the Memory Protection Unit is enabled, it first needs to be disabled before modifying the variables.

If you are using non-volatile RAM, you can define a persistent variable with an initial value of zero loaded into RAM. The program can increment that variable over time as a counter, and that count will not disappear if the device loses power and restarts, because the memory is non-volatile and the boot routines do not initialize it back to zero. For example:

```
#pragma PERSISTENT(x)
#pragma location = 0xC200 // memory address in RAM
int x = 0;

void main() {
    run_init();

    while (1) {
        run_actions(x);
        __delay_cycles(1000000);
        x++;
    }
}
```

The syntax of the pragmas in C is:

```
#pragma NOINIT (x)
int x;
```

```
#pragma PERSISTENT (x)
int x=10;
```

The syntax of the pragmas in C++ is:

```
#pragma NOINIT
int x;
```

```
#pragma PERSISTENT
int x=10;
```

The syntax of the GCC attributes is:

```
int x __attribute__((noinit));
```

```
int x __attribute__((persistent)) = 0;
```

5.9.16 The NOINLINE Pragma

The NOINLINE pragma can be placed before a statement to prevent any function calls made in that statement from being inlined. It has no effect on other calls to the same functions.

The syntax of the pragma in C/C++ is:

```
#pragma NOINLINE
```

For information about interactions between command-line options, pragmas, and keywords that affect inlining, see [Section 2.11](#).

5.9.17 The **NO_HOOKS** Pragma

The NO_HOOKS pragma prevents entry and exit hook calls from being generated for a function.

The syntax of the pragma in C is:

```
#pragma NO_HOOKS ( func )
```

The syntax of the pragma in C++ is:

```
#pragma NO_HOOKS
```

See [Section 2.13](#) for details on entry and exit hooks.

5.9.18 The **RESET_MISRA** Pragma

The RESET_MISRA pragma resets the specified MISRA C:2004 rules to the state they were before any CHECK_MISRA pragmas (see [Section 5.9.2](#)) were processed. For instance, if a rule was enabled on the command line but disabled in the source, the RESET_MISRA pragma resets it to enabled. This pragma accepts the same format as the --check_misra option, except for the "none" keyword.

The --check_misra compiler command-line option must be used to enable MISRA C:2004 rule checking in order for this pragma to function at the source level.

The syntax of the pragma in C is:

```
#pragma RESET_MISRA (" {all|required|advisory|rulespec} ")
```

The *rulespec* parameter is a comma-separated list of rule numbers. See [Section 5.3](#) for details.

5.9.19 The **RETAIN** Pragma

The RETAIN pragma can be applied to a code or data symbol. It causes a .retain directive to be generated into the section that contains the definition of the symbol. The .retain directive indicates to the linker that the section is ineligible for removal during conditional linking. Therefore, regardless whether or not the section is referenced by another section in the application that is being compiled and linked, it will be included in the output file result of the link.

The syntax of the pragma in C is:

```
#pragma RETAIN ( symbol )
```

The syntax of the pragma in C++ is:

```
#pragma RETAIN
```

5.9.20 The `SET_CODE_SECTION` and `SET_DATA_SECTION` Pragmas

These pragmas can be used to set the section for all declarations below the pragma.

The syntax of the pragmas in C/C++ is:

```
#pragma SET_CODE_SECTION ("section name")
```

```
#pragma SET_DATA_SECTION ("section name")
```

In [Example 5-5](#) `x` and `y` are put in the section `mydata`. To reset the current section to the default used by the compiler, a blank parameter should be passed to the pragma. An easy way to think of the pragma is that it is like applying the `CODE_SECTION` or `DATA_SECTION` pragma to all symbols below it.

Example 5-5. Setting Section With `SET_DATA_SECTION` Pragma

```
#pragma SET_DATA_SECTION("mydata")
int x;
int y;
#pragma SET_DATA_SECTION()
```

The pragmas apply to both declarations and definitions. If applied to a declaration and not the definition, the pragma that is active at the declaration is used to set the section for that symbol. Here is an example:

Example 5-6. Setting a Section With `SET_CODE_SECTION` Pragma

```
#pragma SET_CODE_SECTION("func1")
extern void func1();
#pragma SET_CODE_SECTION()
...
void func1() { ... }
```

In [Example 5-6](#) `func1` is placed in section `func1`. If conflicting sections are specified at the declaration and definition, a diagnostic is issued.

The current `CODE_SECTION` and `DATA_SECTION` pragmas and GCC attributes can be used to override the `SET_CODE_SECTION` and `SET_DATA_SECTION` pragmas. For example:

Example 5-7. Overriding `SET_DATA_SECTION` Setting

```
#pragma DATA_SECTION(x, "x_data")
#pragma SET_DATA_SECTION("mydata")
int x;
int y;
#pragma SET_DATA_SECTION()
```

In [Example 5-7](#) `x` is placed in `x_data` and `y` is placed in `mydata`. No diagnostic is issued for this case.

The pragmas work for both C and C++. In C++, the pragmas are ignored for templates and for implicitly created objects, such as implicit constructors and virtual function tables.

5.9.21 The UNROLL Pragma

The UNROLL pragma specifies to the compiler how many times a loop should be unrolled. The optimizer must be invoked (use `--opt_level=[1|2|3]` or `-O1`, `-O2`, or `-O3`) in order for pragma-specified loop unrolling to take place. The compiler has the option of ignoring this pragma.

No statements are allowed between the UNROLL pragma and the for, while, or do-while loop to which it applies. However, other pragmas, such as `MUST_ITERATE`, can appear between the UNROLL pragma and the loop.

The syntax of the pragma for C and C++ is:

```
#pragma UNROLL( n )
```

If possible, the compiler unrolls the loop so there are *n* copies of the original loop. The compiler only unrolls if it can determine that unrolling by a factor of *n* is safe. In order to increase the chances the loop is unrolled, the compiler needs to know certain properties:

- The loop iterates a multiple of *n* times. This information can be specified to the compiler via the multiple argument in the `MUST_ITERATE` pragma.
- The smallest possible number of iterations of the loop
- The largest possible number of iterations of the loop

The compiler can sometimes obtain this information itself by analyzing the code. However, sometimes the compiler can be overly conservative in its assumptions and therefore generates more code than is necessary when unrolling. This can also lead to not unrolling at all. Furthermore, if the mechanism that determines when the loop should exit is complex, the compiler may not be able to determine these properties of the loop. In these cases, you must tell the compiler the properties of the loop by using the `MUST_ITERATE` pragma.

Specifying `#pragma UNROLL(1)` asks that the loop not be unrolled. Automatic loop unrolling also is not performed in this case.

If multiple UNROLL pragmas are specified for the same loop, it is undefined which pragma is used, if any.

5.9.22 The WEAK Pragma

The WEAK pragma gives weak binding to a symbol.

The syntax of the pragma in C is:

```
#pragma WEAK ( symbol )
```

The syntax of the pragma in C++ is:

```
#pragma WEAK
```

The WEAK pragma makes *symbol* a weak reference if it is a reference, or a weak definition, if it is a definition. The symbol can be a data or function variable. In effect, unresolved weak *references* do not cause linker errors and do not have any effect at run time. The following apply for weak references:

- Libraries are not searched to resolve weak references. It is not an error for a weak reference to remain unresolved.
- During linking, the value of an undefined weak reference is:
 - Zero if the relocation type is absolute
 - The address of the place if the relocation type is PC-relative
 - The address of the nominal base address if the relocation type is base-relative.

A weak *definition* does not change the rules by which object files are selected from libraries. However, if a link set contains both a weak definition and a non-weak definition, the non-weak definition is always used.

5.10 The _Pragma Operator

The PRU C/C++ compiler supports the C99 preprocessor `_Pragma()` operator. This preprocessor operator is similar to `#pragma` directives. However, `_Pragma` can be used in preprocessing macros (`#defines`).

The syntax of the operator is:

```
_Pragma (" string_literal ");
```

The argument *string_literal* is interpreted in the same way the tokens following a `#pragma` directive are processed. The *string_literal* must be enclosed in quotes. A quotation mark that is part of the *string_literal* must be preceded by a backward slash.

You can use the `_Pragma` operator to express `#pragma` directives in macros. For example, the `DATA_SECTION` syntax:

```
#pragma DATA_SECTION( func , " section ")
```

Is represented by the `_Pragma()` operator syntax:

```
_Pragma ("DATA_SECTION( func ,\ " section \")")
```

The following code illustrates using `_Pragma` to specify the `DATA_SECTION` pragma in a macro:

```
...
#define EMIT_PRAGMA(x) _Pragma(#x)
#define COLLECT_DATA(var) EMIT_PRAGMA(DATA_SECTION(var, "mysection"))

COLLECT_DATA(x)
int x;
...
```

The `EMIT_PRAGMA` macro is needed to properly expand the quotes that are required to surround the section argument to the `DATA_SECTION` pragma.

5.11 PRU Instruction Intrinsics

Assembly instructions can be generated using intrinsics.

Table 5-3 shows the calling syntax for intrinsics that perform register transfers. In these intrinsics, the following parameters are used:

- *device_id*: Value from 0-255 that specifies the device ID to transfer data from or to. Common device IDs include:
 - 10: Scratch pad bank 0 accessible by both PRU cores.
 - 11: Scratch pad bank 1 accessible by both PRU cores.
 - 12: Scratch pad bank 2 accessible by both PRU cores.
 - 13: Reserved.
 - 14: Direct connect mode access to other PRU core.
- *base_register*: Value from 0-32 that corresponds to the register that must be used as the base register for the transfer.
- *use_remapping*: Boolean value (zero is false, non-zero is true) that specifies whether a register file shift amount is used to move the registers to the appropriate base register. An example of this is the bank shift supported for the scratchpad memory on ICSS.
- *object*: Any object with a size less than 44 bytes.

Table 5-3. PRU Compiler Intrinsics for Register Transfers

C/C++ Compiler Intrinsic	Assembly Instruction	Description
<code>void __xin (unsigned int <i>device_id</i> , unsigned int <i>base_register</i> , unsigned int <i>use_remapping</i> , void& <i>object</i>);</code>	XFR	Read in register values from the device specified by <i>device_id</i> using the XFR wide transfer bus. For each <i>device_id</i> , specific registers are tied to the bus. If <i>use_remapping</i> is false, the intrinsic reads into registers starting at <i>base_register</i> and continuing for the number of bytes in <i>object</i> . If <i>use_remapping</i> is true, the compiler puts a shift value in R0.b0, so that the hardware will shift results to a different register than <i>base_register</i> . A consequence of this is that when <i>use_remapping</i> is true , the <i>base_register</i> is not read from.
<code>void __xout (unsigned int <i>device_id</i> , unsigned int <i>base_register</i> , unsigned int <i>use_remapping</i> , void& <i>object</i>);</code>	XFR	Write out register values using the XFR wide transfer bus. For each <i>device_id</i> , specific registers are tied to the bus. If <i>use_remapping</i> is false, the intrinsic writes out registers starting at <i>base_register</i> and continuing for the number of bytes in <i>object</i> . If <i>use_remapping</i> is true, the compiler puts a shift value in R0.b0, so that the hardware will shift results to a different register than <i>base_register</i> . A consequence of this is that when <i>use_remapping</i> is true , the <i>base_register</i> is not written to.
<code>void __xchg (unsigned int <i>device_id</i> , unsigned int <i>base_register</i> , unsigned int <i>use_remapping</i> , void& <i>object</i>);</code>	XFR	Exchange register values with register values on the device specified by <i>device_id</i> using the XFR wide transfer bus. For each <i>device_id</i> , specific registers are tied to the bus. If <i>use_remapping</i> is false, the intrinsic writes out registers starting at <i>base_register</i> and continuing for the number of bytes in <i>object</i> . If <i>use_remapping</i> is true, the compiler puts a shift value in R0.b0, so that the hardware will shift results to a different register than <i>base_register</i> . A consequence of this is that when <i>use_remapping</i> is true , the <i>base_register</i> is not accessed.
<code>void __sxin (unsigned int <i>device_id</i> , unsigned int <i>base_register</i> , unsigned int <i>use_remapping</i> , void& <i>object</i>);</code>	XFR	Performs the same action as __xin, but also transfers the core status, which includes the instruction pointer, the carry/borrow bit, and other information.
<code>void __sxout(unsigned int <i>device_id</i> , unsigned int <i>base_register</i> , unsigned int <i>use_remapping</i> , void& <i>object</i>);</code>	XFR	Performs the same action as __xout, but also transfers the core status, which includes the instruction pointer, the carry/borrow bit, and other information.
<code>void __sxchg(unsigned int <i>device_id</i> , unsigned int <i>base_register</i> , unsigned int <i>use_remapping</i> , void& <i>object</i>);</code>	XFR	Performs the same action as __xchg, but also transfers the core status, which includes the instruction pointer, the carry/borrow bit, and other information.

Table 5-4 shows the calling syntax for additional intrinsics that can be used to generate assembly instructions.

Table 5-4. Additional PRU Compiler Intrinsics

C/C++ Compiler Intrinsic	Assembly Instruction(s)	Description
unsigned int <code>location __lmbd(unsigned int src , unsigned int pattern);</code>	LMBD <code>location , src , pattern</code>	Scans <code>src</code> for the bit pattern in position 0 of <code>pattern</code> and returns the first position where it is found. This intrinsic scans only for the value in the last bit (bit 0) of the pattern.
void <code>__halt();</code>	HALT	This intrinsic disables the PRU. It can be used to implement software breakpoints for debugging. The PRU program counter remains at its current location (the location of the HALT). When the PRU is re-enabled, the instruction is re-fetched from instruction memory.
void <code>__delay_cycles(unsigned int cycles);</code>	varies	Delays PRU execution for the specified number of cycles. The number of cycles must be a constant.

5.12 Object File Symbol Naming Conventions (Linknames)

Each externally visible identifier is assigned a unique symbol name to be used in the object file, a so-called *linkname*. This name is assigned by the compiler according to an algorithm which depends on the name, type, and source language of the symbol. This algorithm may add a prefix to the identifier (typically an underscore), and it may *mangle* the name.

User-defined symbols in C code and in assembly code are in the same namespace, which means you are responsible for making sure that your C identifiers do not collide with your assembly code identifiers. You may have identifiers that collide with assembly keywords (for instance, register names); in this case, the compiler automatically uses an escape sequence to prevent the collision. The compiler escapes the identifier with double parallel bars, which instructs the assembler not to treat the identifier as a keyword. You are responsible for making sure that C identifiers do not collide with user-defined assembly code identifiers.

Name mangling encodes the types of the parameters of a function in the linkname for a function. Name mangling only occurs for C++ functions which are not declared 'extern "C"'. Mangling allows function overloading, operator overloading, and type-safe linking. Be aware that the return value of the function is not encoded in the mangled name, as C++ functions cannot be overloaded based on the return value.

For example, the general form of a C++ linkname for a function named `func` is:

`__func__F parmcodes`

Where `parmcodes` is a sequence of letters that encodes the parameter types of `func`.

For this simple C++ source file:

```
int foo(int i){ } //global C++ function
```

This is the resulting assembly code:

```
$_foo__Fi
```

The linkname of `foo` is `$_foo__Fi`, indicating that `foo` is a function that takes a single argument of type `int`. To aid inspection and debugging, a name demangling utility is provided that demangles names into those found in the original C++ source. See [Chapter 8](#) for more information.

The mangling algorithm follows that described in the Itanium C++ ABI (<http://www.codesourcery.com/cxx-abi/abi.html>).

`int foo(int i) { } would be mangled "_Z3fooi"`

5.13 Changing the ANSI/ISO C/C++ Language Mode

The language mode command-line options determine how the compiler interprets your source code. You specify one option to identify which language standard your code follows. You can also specify a separate option to specify how strictly the compiler should expect your code to conform to the standard.

Specify one of the following language options to control the language standard that the compiler expects the source to follow. The options are:

- ANSI/ISO C89 (--c89, default for C files)
- ANSI/ISO C99 (--c99, see [Section 5.13.1.](#))
- ISO C++03 (--c++03, used for all C++ files)

Use one of the following options to specify how strictly the code conforms to the standard:

- Relaxed ANSI/ISO (--relaxed_ansi or -pr) This is the default.
- Strict ANSI/ISO (--strict_ansi or -ps)

The default is relaxed ANSI/ISO mode. Under relaxed ANSI/ISO mode, the compiler accepts language extensions that could potentially conflict with ANSI/ISO C/C++. Under strict ANSI mode, these language extensions are suppressed so that the compiler will accept all strictly conforming programs. (See [Section 5.13.2.](#))

5.13.1 C99 Support (--c99)

The compiler supports the 1999 standard of C as standardized by the ISO. However, the following list of run-time functions and features are *not* implemented or fully supported:

- complex.h
- ctype.h
 - isblank()
- fenv.h
- float.h
 - DECIMAL_DIG
 - FLT_EVAL_METHOD
- inttypes.h
 - wcstoimax() / wcstoumax()
- math.h
 - FP_ILOGB0 / FP_ILOGBNAN macros
 - MATH_ERRNO macro
 - copysign()
 - float_t / double_t types
 - math_errhandling()
 - signbit()
 - The following sets of C99 functions do not support the "long double" type. C89 math functions using float and long double types are supported. (Section numbers are from the C99 standard.)
 - 7.12.4: Trigonometric functions
 - 7.12.5: Hyperbolic functions
 - 7.12.6: Exponential and logarithmic functions
 - 7.12.7: Power and absolute value functions
 - 7.12.9: Nearest integer functions
 - 7.12.10: Remainder functions
 - expm1()
 - ilogb() / log1p() / logb()
 - scalbn() / scalbln()

- `cbrt()`
- `hypot()`
- `erf()` / `erfc()`
- `lgamma()` / `tgamma()`
- `nearbyint()`
- `rint()` / `lrint()` / `llrint()`
- `lround()` / `llround()`
- `remainder()` / `remquo()`
- `nan()`
- `nextafter()` / `nexttoward()`
- `fdim()` / `fmax()` / `fmin()` / `fma()`
- `isgreater()` / `isgreaterequal()` / `isless()` / `islessequal()` / `islessgreater()` / `isunordered()`
- `stdarg.h`
 - `va_copy` macro
- `stdio.h`
 - `%a` and `%A` format specifiers for hexadecimal float
 - The `%e` specifier may produce "-0" when "0" is expected by the standard
 - `snprintf()` does not properly pad with spaces when writing to a wide character array
- `stdlib.h`
 - `strtof()` `atof()` / `strtod()` / `strtold()` do not support hexadecimal float strings
 - `vfscanf()` / `vscanf()` / `vsscanf()` return value on floating point matching failure is incorrect
- `tgmath.h`
- `time.h`
 - `strftime()`
- `wchar.h`
 - `getws()` / `fputws()`
 - `mbrlen()`
 - `mbsrtowcs()`
 - `wscat()`
 - `wcschr()`
 - `wscmp()` / `wcsncmp()`
 - `wscpy()` / `wcsncpy()`
 - `wcsftime()`
 - `wcsrtombs()`
 - `wcsstr()`
 - `wcstok()`
 - `wcsxfrm()`
 - Wide character print / scan functions
 - Wide character conversion functions

5.13.2 Strict ANSI Mode and Relaxed ANSI Mode (`--strict_ansi` and `--relaxed_ansi`)

Under relaxed ANSI/ISO mode (the default), the compiler accepts language extensions that could potentially conflict with a strictly conforming ANSI/ISO C/C++ program. Under strict ANSI mode, these language extensions are suppressed so that the compiler will accept all strictly conforming programs.

Use the `--strict_ansi` option when you know your program is a conforming program and it will not compile in relaxed mode. In this mode, language extensions that conflict with ANSI/ISO C/C++ are disabled and the compiler will emit error messages where the standard requires it to do so. Violations that are considered discretionary by the standard may be emitted as warnings instead.

Examples:

The following is strictly conforming C code, but will not be accepted by the compiler in the default relaxed mode. To get the compiler to accept this code, use strict ANSI mode. The compiler will suppress the `far` keyword language exception, and `far` may then be used as an identifier in the code.

```
int main()
{
    int far = 0;
    return 0;
}
```

The default mode is relaxed ANSI. This mode can be selected with the `--relaxed_ansi` (or `-pr`) option. Relaxed ANSI mode accepts the broadest range of programs. It accepts all TI language extensions, even those which conflict with ANSI/ISO, and ignores some ANSI/ISO violations for which the compiler can do something reasonable. Some GCC language extensions described in [Section 5.14](#) may conflict with strict ANSI/ISO standards, but many do not conflict with the standards.

5.14 GNU Language Extensions

The GNU compiler collection (GCC) defines a number of language features not found in the ANSI/ISO C and C++ standards. The definition and examples of these extensions (for GCC version 4.7) can be found at the GNU web site, <http://gcc.gnu.org/onlinedocs/gcc-4.7.2/gcc/C-Extensions.html#C-Extensions>. Most of these extensions are also available for C++ source code.

The compiler also supports the following Clang macro extensions, which are described in the [Clang 6 Documentation](#):

- `__has_feature` (up to tests described for Clang 3.5)
- `__has_extension` (up to tests described for Clang 3.5)
- `__has_include`
- `__has_include_next`
- `__has_builtin` (see [Section 5.14.5](#))
- `__has_attribute`

5.14.1 Extensions

Most of the GCC language extensions are available in the TI compiler when compiling in relaxed ANSI mode (`--relaxed_ansi`).

The extensions that the TI compiler supports are listed in [Table 5-5](#), which is based on the list of extensions found at the GNU web site. The shaded rows describe extensions that are not supported.

Table 5-5. GCC Language Extensions

Extensions	Descriptions
Statement expressions	Putting statements and declarations inside expressions (useful for creating smart 'safe' macros)
Local labels	Labels local to a statement expression
Labels as values	Pointers to labels and computed gotos
Nested functions	As in Algol and Pascal, lexical scoping of functions
Constructing calls	Dispatching a call to another function
Naming types ⁽¹⁾	Giving a name to the type of an expression
typeof operator	typeof referring to the type of an expression
Generalized lvalues	Using question mark (?) and comma (,) and casts in lvalues
Conditionals	Omitting the middle operand of a ?: expression
long long	Double long word integers and long long int type
Hex floats	Hexadecimal floating-point constants
Complex	Data types for complex numbers
Zero length	Zero-length arrays
Variadic macros	Macros with a variable number of arguments
Variable length	Arrays whose length is computed at run time
Empty structures	Structures with no members
Subscripting	Any array can be subscripted, even if it is not an lvalue.
Escaped newlines	Slightly looser rules for escaped newlines
Multi-line strings ⁽¹⁾	String literals with embedded newlines
Pointer arithmetic	Arithmetic on void pointers and function pointers
Initializers	Non-constant initializers
Compound literals	Compound literals give structures, unions, or arrays as values
Designated initializers	Labeling elements of initializers
Cast to union	Casting to union type from any member of the union
Case ranges	'Case 1 ... 9' and such
Mixed declarations	Mixing declarations and code

⁽¹⁾ Feature defined for GCC 3.0; definition and examples at <http://gcc.gnu.org/onlinedocs/gcc-4.7.2/gcc/C-Extensions.html#C-Extensions>

Table 5-5. GCC Language Extensions (continued)

Extensions	Descriptions
Function attributes	Declaring that functions have no side effects, or that they can never return
Attribute syntax	Formal syntax for attributes
Function prototypes	Prototype declarations and old-style definitions
C++ comments	C++ comments are recognized.
Dollar signs	A dollar sign is allowed in identifiers.
Character escapes	The character ESC is represented as <code>\e</code>
Variable attributes	Specifying the attributes of variables
Type attributes	Specifying the attributes of types
Alignment	Inquiring about the alignment of a type or variable
Inline	Defining inline functions (as fast as macros)
Assembly labels	Specifying the assembler name to use for a C symbol
Extended asm	Assembler instructions with C operands
Constraints	Constraints for asm operands
Wrapper headers	Wrapper header files can include another version of the header file using <code>#include_next</code>
Alternate keywords	Header files can use <code>__const__</code> , <code>__asm__</code> , etc
Explicit reg vars	Defining variables residing in specified registers
Incomplete enum types	Define an enum tag without specifying its possible values
Function names	Printable strings which are the name of the current function
Return address	Getting the return or frame address of a function (limited support)
Other built-ins	Other built-in functions (see Section 5.14.5)
Vector extensions	Using vector instructions through built-in functions
Target built-ins	Built-in functions specific to particular targets
Pragmas	Pragmas accepted by GCC
Unnamed fields	Unnamed struct/union fields within structs/unions
Thread-local	Per-thread variables
Binary constants	Binary constants using the <code>'0b'</code> prefix.

5.14.2 Function Attributes

The following GCC function attributes are supported:

- `alias`
- `always_inline`
- `const`
- `constructor`
- `deprecated`
- `format`
- `format_arg`
- `interrupt`
- `malloc`
- `noinline`
- `noreturn`
- `pure`
- `section`
- `unused`
- `used`
- `visibility`

- warn_unused_result

The following additional TI-specific function attribute is supported:

- retain

For example, this function declaration uses the **alias** attribute to make "my_alias" a function alias for the "myFunc" function:

```
void my_alias() __attribute__((alias("myFunc")));
```

The **format** attribute is applied to the declarations of printf, fprintf, sprintf, snprintf, vprintf, vfprintf, vsprintf, vsnprintf, scanf, fscanf, vfscanf, vscanf, vsscanf, and sscanf in stdio.h. Thus when GCC extensions are enabled, the data arguments of these functions are type checked against the format specifiers in the format string argument and warnings are issued when there is a mismatch. These warnings can be suppressed in the usual ways if they are not desired.

The **malloc** attribute is applied to the declarations of malloc, calloc, realloc and memalign in stdlib.h.

The **retain** attribute has the same effect as the RETAIN pragma (Section 5.9.19). That is, the section that contains the function will not be omitted from conditionally linked output even if it is not referenced elsewhere in the application.

5.14.3 Variable Attributes

The following variable attributes are supported:

- aligned
- deprecated
- mode
- noinit
- persistent
- retain
- section
- transparent_union
- unused
- used
- weak

The **retain** attribute has the same effect as the RETAIN pragma (Section 5.9.19). That is, the section that contains the variable will not be omitted from conditionally linked output even if it is not referenced elsewhere in the application.

The **used** attribute is defined in GCC 4.2 (see <http://gcc.gnu.org/onlinedocs/gcc-4.2.4/gcc/Variable-Attributes.html#Variable-Attributes>).

In addition, the **packed** attribute may be applied to individual fields within a struct or union.

5.14.4 Type Attributes

The following type attributes are supported:

- aligned
- cregister
- deprecated
- packed
- transparent_union
- unused
- visibility

The **cregister** attribute provides support for using the constant registers. If the **cregister** attribute is used, the **peripheral** attribute can be used along with it. The syntax is:

```
int x __attribute__((cregister("MEM", [near|far]), peripheral));
```

The name "MEM" can be any name, although it will need to correspond to a memory range name in your linker command file. The **near** or **far** parameter tells the compiler whether it can use the immediate addressing mode (**near**) or register indirect addressing mode (**far**). If the data will be completely contained within the first 256 bytes from the top of the constant register pointer then use **near**, otherwise use **far**. The default is **near**.

The linker command file must use the **CREGISTER** specifier within the **MEMORY** directive in order for the **cregister** attribute to succeed, otherwise relocation errors occur. See the "MEMORY Directive Syntax" section of the *PRU Assembly Language Tools User's Guide (SPRUHV6)* for details. The linker command file syntax is:

```
MEMORY
{
    MEM: origin=xxx length=xxx CREGISTER=4
}
```

The **peripheral** attribute can only be used with the **cregister** attribute and has two effects. First, it puts the object in a section that will not be loaded onto the device. This prevents initialization of the peripheral at runtime. Second, it allows the same object to be defined in multiple source files without a linker error. The intent is that peripherals can be completely described in a header file.

The **packed** attribute is supported for struct and union types. It is supported if the **--relaxed_ansi** option is used.

Members of a packed structure are stored as closely to each other as possible, omitting additional bytes of padding usually added to preserve word-alignment. For example, assuming a word-size of 4 bytes ordinarily has 3 bytes of padding between members **c1** and **i**, and another 3 bytes of trailing padding after member **c2**, leading to a total size of 12 bytes:

```
struct unpacked_struct { char c1; int i; char c2;};
```

However, the members of a packed struct are byte-aligned. Thus the following does not have any bytes of padding between or after members and totals 6 bytes:

```
struct __attribute__((__packed__)) packed_struct { char c1; int i; char c2; };
```

Subsequently, packed structures in an array are packed together without trailing padding between array elements.

Bit fields of a packed structure are bit-aligned. The byte alignment of adjacent struct members that are not bit fields does not change. However, there are no bits of padding between adjacent bit fields.

The **packed** attribute can only be applied to the original definition of a structure or union type. It cannot be applied with a typedef to a non-packed structure that has already been defined, nor can it be applied to the declaration of a struct or union object. Therefore, any given structure or union type can only be packed or non-packed, and all objects of that type will inherit its packed or non-packed attribute.

The **packed** attribute is not applied recursively to structure types that are contained within a packed structure. Thus, in the following example the member **s** retains the same internal layout as in the first example above. There is no padding between **c** and **s**, so **s** falls on an unaligned boundary:

```
struct __attribute__((__packed__)) outer_packed_struct { char c; struct unpacked_struct s; };
```

It is illegal to implicitly or explicitly cast the address of a packed struct member as a pointer to any non-packed type except an unsigned char. In the following example, **p1**, **p2**, and the call to **foo** are all illegal.

```
void foo(int *param);
struct packed_struct ps;

int *p1 = &ps.i;
int *p2 = (int *)&ps.i;
foo(&ps.i);
```

However, it is legal to explicitly cast the address of a packed struct member as a pointer to an unsigned char:

```
unsigned char *pc = (unsigned char *)&ps.i;
```

Enumerated types are always packed, and the smallest integral type available for the fields in the type is used.

The TI compiler also supports an **unpacked** attribute for an enumeration type to allow you to indicate that the representation is to be an integer type that is no smaller than int; in other words, it is not *packed*.

5.14.5 Built-In Functions

The following built-in functions are supported:

- `__builtin_abs()`
- `__builtin_constant_p()`
- `__builtin_expect()`
- `__builtin_fabs()`
- `__builtin_fabsf()`
- `__builtin_frame_address()`
- `__builtin_labs()`
- `__builtin_llabs()`
- `__builtin_memcpy()`
- `__builtin_return_address()`

The `__builtin_frame_address` function always returns zero.

The `__builtin_return_address()` function always returns zero.

5.15 Compiler Limits

Due to the variety of host systems supported by the C/C++ compiler and the limitations of some of these systems, the compiler may not be able to successfully compile source files that are excessively large or complex. In general, exceeding such a system limit prevents continued compilation, so the compiler aborts immediately after printing the error message. Simplify the program to avoid exceeding a system limit.

Some systems do not allow filenames longer than 500 characters. Make sure your filenames are shorter than 500.

The compiler has no arbitrary limits but is limited by the amount of memory available on the host system. On smaller host systems such as PCs, the optimizer may run out of memory. If this occurs, the optimizer terminates and the shell continues compiling the file with the code generator. This results in a file compiled with no optimization. The optimizer compiles one function at a time, so the most likely cause of this is a large or extremely complex function in your source module. To correct the problem, your options are:

- Don't optimize the module in question.
- Identify the function that caused the problem and break it down into smaller functions.
- Extract the function from the module and place it in a separate module that can be compiled without optimization so that the remaining functions can be optimized.

Run-Time Environment

This chapter describes the PRU C/C++ run-time environment. To ensure successful execution of C/C++ programs, it is critical that all run-time code maintain this environment. It is also important to follow the guidelines in this chapter if you write assembly language functions that interface with C/C++ code.

Topic	Page
6.1 Memory Model.....	104
6.2 Object Representation.....	107
6.3 Register Conventions.....	110
6.4 Function Structure and Calling Conventions.....	111
6.5 Accessing Linker Symbols in C and C++	115
6.6 Interfacing C and C++ With Assembly Language	115
6.7 System Initialization.....	118

6.1 Memory Model

The PRU compiler treats memory as a single linear block that is partitioned into subblocks of code and data. Each subblock of code or data generated by a C program is placed in its own continuous memory space. The compiler assumes that a full 32-bit address space is available in target memory.

The Linker Defines the Memory Map

NOTE: The linker, not the compiler, defines the memory map and allocates code and data into target memory. The compiler assumes nothing about the types of memory available, about any locations not available for code or data (holes), or about any locations reserved for I/O or control purposes. The compiler produces relocatable code that allows the linker to allocate code and data into the appropriate memory spaces. For example, you can use the linker to allocate global variables into on-chip RAM or to allocate executable code into external ROM. You can allocate each block of code or data individually into memory, but this is not a general practice (an exception to this is memory-mapped I/O, although you can access physical memory locations with C/C++ pointer types).

6.1.1 Sections

The compiler produces relocatable blocks of code and data called *sections*. The sections are allocated into memory in a variety of ways to conform to a variety of system configurations. For more information about sections and allocating them, see the introductory object file information in the *PRU Assembly Language Tools User's Guide*.

There are two basic types of sections:

- **Initialized sections** contain data or executable code. Initialized sections are usually, but not always, read-only. The C/C++ compiler creates the following initialized sections:
 - The **.args section** contains arguments in the argv array to be passed to main. This section is read-only.
 - The **.binit section** contains boot time copy tables. This is a read-only section. For details on BINIT, see the *PRU Assembly Language Tools User's Guide*.
 - The **.cinit section** contains tables for initializing global data at runtime.
 - The **.ovly section** contains copy tables other than boot time (.binit) copy tables. This is a read-only section.
 - The **.data section** contains initialized near data.
 - The **.fardata section** contains initialized far data.
 - The **.init_array section** contains global constructor tables to be called at startup.
 - The **.rodata section** contains constant read-only near data.
 - The **.rofardata section** contains constant read-only far data.
 - The **.text section** contains all the executable code. This section is usually read-only.
 - The **.TI.crctab section** contains CRC checking tables. This is a read-only section.
- **Uninitialized sections** reserve space in memory (usually RAM). A program can use this space at run time to create and store variables. The compiler creates the following uninitialized sections:
 - The **.bss section** reserves space for uninitialized near data (stored at addresses reachable with a 16-bit address).
 - The **.farbss section** reserves space for uninitialized far data (stored at addresses only reachable with a 32-bit address).
 - The **.stack section** reserves memory for the C/C++ software stack.
 - The **.systemem section** reserves space for dynamic memory allocation. The reserved space is used by dynamic memory allocation routines, such as malloc(), calloc(), realloc(), or new(). If a C/C++ program does not use these functions, the compiler does not create the .systemem section.

The assembler creates the default sections `.text`, `.bss`, and `.data`. You can instruct the compiler to create additional sections by using the `CODE_SECTION` and `DATA_SECTION` pragmas (see [Section 5.9.3](#) and [Section 5.9.5](#)).

The linker takes the individual sections from different object files and combines sections that have the same name. The resulting output sections and the appropriate placement in memory for each section are listed in [Table 6-1](#). You can place these output sections anywhere in the address space as needed to meet system requirements.

Table 6-1. Summary of Sections and Memory Placement

Section	Type of Memory	Section	Type of Memory
<code>.args</code>	ROM or RAM	<code>.init_array</code>	ROM or RAM
<code>.bss</code>	RAM	<code>.rodata</code>	ROM or RAM
<code>.cinit</code>	ROM or RAM	<code>.rofardata</code>	ROM or RAM
<code>.data</code>	RAM	<code>.stack</code>	RAM
<code>.farbss</code>	RAM	<code>.systemem</code>	RAM
<code>.fardata</code>	ROM or RAM	<code>.text</code>	ROM or RAM

You can use the `SECTIONS` directive in the linker command file to customize the section-allocation process. For more information about allocating sections into memory, see the linker description chapter in the *PRU Assembly Language Tools User's Guide*.

6.1.2 C/C++ System Stack

The C/C++ compiler uses a stack to:

- Allocate local variables
- Pass arguments to functions
- Save register contents

The run-time stack grows from the high addresses to the low addresses. The compiler uses the R2 register to manage this stack. R2 is the *stack pointer* (SP), which points to the next unused location on the stack.

The linker sets the stack size, creates a global symbol, `__STACK_SIZE`, and assigns it a value equal to the stack size in bytes. The default stack size is 256 bytes. You can change the stack size at link time by using the `--stack_size` option with the linker command. For more information on the `--stack_size` option, see the linker description chapter in the *PRU Assembly Language Tools User's Guide*.

At system initialization, SP is set to a designated address for the top of the stack. This address is the first location past the end of the `.stack` section. Since the position of the stack depends on where the `.stack` section is allocated, the actual address of the stack is determined at link time.

The C/C++ environment automatically decrements SP at the entry to a function to reserve all the space necessary for the execution of that function. The stack pointer is incremented at the exit of the function to restore the stack to the state before the function was entered. If you interface assembly language routines to C/C++ programs, be sure to restore the stack pointer to the same state it was in before the function was entered.

For more information about using the stack pointer, see [Section 6.3](#); for more information about the stack, see [Section 6.4](#).

Stack Overflow

NOTE: The compiler provides no means to check for stack overflow during compilation or at run time. A stack overflow disrupts the run-time environment, causing your program to fail. Be sure to allow enough space for the stack to grow. You can use the `--entry_hook` option to add code to the beginning of each function to check for stack overflow; see [Section 2.13](#).

6.1.3 Dynamic Memory Allocation

The run-time-support library supplied with the PRU compiler contains several functions (such as malloc, calloc, and realloc) that allow you to allocate memory dynamically for variables at run time.

Memory is allocated from a global pool, or heap, that is defined in the .system section. You can set the size of the .system section by using the `--heap_size=size` option with the linker command. The linker also creates a global symbol, `__SYSTEM_SIZE`, and assigns it a value equal to the size of the heap in bytes. The default size is 256 bytes. For more information on the `--heap_size` option, see the linker description chapter in the *PRU Assembly Language Tools User's Guide*.

If you use any C I/O function, the RTS library allocates an I/O buffer for each file you access. This buffer will be a bit larger than `BUFSIZ`, which is defined in `stdio.h` and defaults to 256. Make sure you allocate a heap large enough for these buffers or use `setvbuf` to change the buffer to a statically-allocated buffer.

Dynamically allocated objects are not addressed directly (they are always accessed with pointers) and the memory pool is in a separate section (.system); therefore, the dynamic memory pool can have a size limited only by the amount of available memory in your system. To conserve space in the .bss section, you can allocate large arrays from the heap instead of defining them as global or static. For example, instead of a definition such as:

```
struct big table[100];
```

Use a pointer and call the malloc function:

```
struct big *table  
table = (struct big *)malloc(100*sizeof(struct big));
```

When allocating from a heap, make sure the size of the heap is large enough for the allocation. This is particularly important when allocating variable-length arrays.

6.2 Object Representation

For general information about data types, see [Section 5.4](#). This section explains how various data objects are sized, aligned, and accessed.

6.2.1 Data Type Storage

[Table 6-2](#) lists register and memory storage for various data types:

Table 6-2. Data Representation in Registers and Memory

Data Type	Register Storage	Memory Storage
char, signed char	Bits 0-7 or 8-15 or 16-23 or 24-31 of register	8 bits aligned to 8-bit boundary
unsigned char, bool	Bits 0-7 or 8-15 or 16-23 or 24-31 of register	8 bits aligned to 8-bit boundary
short, signed short	Bits 0-15 or 8-23 or 16-31 of register	16 bits aligned to 8-bit boundary
unsigned short, wchar_t	Bits 0-15 or 8-23 or 16-31 of register	16 bits aligned to 8-bit boundary
int, signed int	Bits 0-15 or 8-23 or 16-31 of register	32 bits aligned to 8-bit boundary
unsigned int	Bits 0-15 or 8-23 or 16-31 of register	32 bits aligned to 8-bit boundary
enum	Bits 0-15 or 8-23 or 16-31 of register	32 bits aligned to 8-bit boundary
long, signed long	Bits 0-15 or 8-23 or 16-31 of register	32 bits aligned to 8-bit boundary
unsigned long	Bits 0-15 or 8-23 or 16-31 of register	32 bits aligned to 8-bit boundary
long long	Register pair	64 bits aligned to 8-bit boundary
unsigned long long	Register pair	64 bits aligned to 8-bit boundary
float	Bits 0-15 or 8-23 or 16-31 of register	32 bits aligned to 8-bit boundary
double	Register pair	64 bits aligned to 8-bit boundary
long double	Register pair	64 bits aligned to 8-bit boundary
struct	Members are stored as their individual types require.	Members are stored as their individual types require. All types are aligned to an 8-bit boundary.
array	Members are stored as their individual types require.	Members are stored as their individual types require. All types are aligned to an 8-bit boundary.
pointer to data	Bits 0-31 of register	32 bits aligned to 8-bit boundary
pointer to code	Bits 0-15 of register	64 bits aligned to 8-bit boundary

For signed char and signed short types, negative values are not sign-extended. For larger signed types, negative values are sign-extended to bit 31.

For enum storage information, see [Table 5-2](#).

6.2.2 Bit Fields

Bit fields are the only objects that are packed within a byte. That is, two bit fields can be stored in the same byte. Bit fields can range in size from 1 to 32 bits, but they never span a 4-byte boundary.

For little-endian mode (the default), bit fields are packed into registers from the LSB to the MSB in the order in which they are defined, and packed in memory from LSbyte to MSbyte.

For big-endian mode, bit fields are packed into registers from most significant bit (MSB) to least significant bit (LSB) in the order in which they are defined. Bit fields are packed in memory from most significant byte (MSbyte) to least significant byte (LSbyte).

- Plain int bit fields are unsigned. Consider the following C code:

```
struct st
{
    int a:5;
} s;

foo()
{
    if (s.a < 0)
        bar();
}
```

The bar() function is never called as bit field 'a' is unsigned. Use signed int if you need a signed bit field.

- Bit fields are handled using the declared type, .
- Bit fields of type long long are supported.
- As is true for all other PRU types, bit fields are aligned on single-byte intervals.
- The size of a struct containing the bit field depends on the declared type of the bit field. For example, both of these structs have a size of 4 bytes:

```
struct st {int a:4};

struct st {char a:4; int :22};
```

- Bit fields declared volatile are accessed according to the bit field's declared type. A volatile bit field reference generates exactly one reference to its storage; multiple volatile bit field accesses are not merged.

Figure 6-1 illustrates bit-field packing, using the following bit field definitions:

```
struct{
    int A:7
    int B:10
    int C:3
    int D:2
    int E:9
}x;
```

A0 represents the least significant bit of the field A; A1 represents the next least significant bit, etc. Again, storage of bit fields in memory is done with a byte-by-byte, rather than bit-by-bit, transfer.

Figure 6-1. Bit-Field Packing in Big-Endian and Little-Endian Formats**Big-endian register**

MS																																LS																															
A	A	A	A	A	A	A	A	B	B	B	B	B	B	B	B	B	B	B	C	C	C	D	D	E	E	E	E	E	E	E	E	E	E	X																													
6	5	4	3	2	1	0	9	8	7	6	5	4	3	2	1	0	2	1	0	1	0	8	7	6	5	4	3	2	1	0	X																																
31																																0																															

Big-endian memory

Byte 0								Byte 1								Byte 2								Byte 3								
A	A	A	A	A	A	A	B	B	B	B	B	B	B	B	B	B	C	C	C	D	D	E	E	E	E	E	E	E	E	E	E	X
6	5	4	3	2	1	0	9	8	7	6	5	4	3	2	1	0	2	1	0	1	0	8	7	6	5	4	3	2	1	0	X	

Little-endian register

MS																																LS																															
X	E	E	E	E	E	E	E	E	E	E	D	D	C	C	C	B	B	B	B	B	B	B	B	B	B	A	A	A	A	A	A	A	A																														
X	8	7	6	5	4	3	2	1	0	1	0	2	1	0	9	8	7	6	5	4	3	2	1	0	6	5	4	3	2	1	0																																
31																																0																															

Little-endian memory

Byte 0								Byte 1								Byte 2								Byte 3								
B	A	A	A	A	A	A	A	B	B	B	B	B	B	B	B	E	E	D	D	C	C	C	B	X	E	E	E	E	E	E	E	E
0	6	5	4	3	2	1	0	8	7	6	5	4	3	2	1	1	0	1	0	2	1	0	9	X	8	7	6	5	4	3	2	

LEGEND: X = not used, MS = most significant, LS = least significant

6.2.3 Character String Constants

In C, a character string constant is used in one of the following ways:

- To initialize an array of characters. For example:

```
char s[] = "abc";
```

When a string is used as an initializer, it is simply treated as an initialized array; each character is a separate initializer. For more information about initialization, see [Section 6.7](#).

- In an expression. For example:

```
strcpy (s, "abc");
```

When a string is used in an expression, the string itself is defined in the `.rodata:.string` section with the `.string` assembler directive, along with a unique label that points to the string; the terminating 0 byte is included. For example, the following lines define the string `abc`, and the terminating 0 byte (the label `SL5` points to the string):

```
.sect ".rodata:.string"
SL5: .string "abc",0
```

String labels have the form `SL n` , where n is a number assigned by the compiler to make the label unique. The number begins at 0 and is increased by 1 for each string defined. All strings used in a source module are defined at the end of the compiled assembly language module.

The label `SL n` represents the address of the string constant. The compiler uses this label to reference the string expression.

Because strings are stored in the `.rodata:.string` section (possibly in ROM) and shared, it is bad practice for a program to modify a string constant. The following code is an example of incorrect string use:

```
const char *a = "abc"
a[1] = 'x'; /* Incorrect! undefined behavior */
```

6.3 Register Conventions

Strict conventions associate specific registers with specific operations in the C/C++ environment. If you plan to interface an assembly language routine to a C/C++ program, you must understand and follow these register conventions.

The register conventions dictate how the compiler uses registers and how values are preserved across function calls. [Table 6-3](#) shows the types of registers affected by these conventions. [Table 6-4](#) summarizes how the compiler uses registers and whether their values are preserved across calls. For information about how values are preserved across calls, see [Section 6.4](#).

Table 6-3. How Register Types Are Affected by the Conventions

Register Type	Description
Argument register	Passes arguments during a function call
Return register	Holds the return value from a function call
Expression register	Holds a value
Argument pointer	Used as a base value from which a function's parameters (incoming arguments) are accessed (AP)
Stack pointer	Holds the address of the top of the software stack (SP)
Link register	Contains the return address of a function call (LR)
Program counter	Contains the current address of code being executed

Table 6-4. Register Usage

Register	Usage	Save on Call	Save on Entry
R0.w0	Expression register	Yes	
R1	Expression register	Yes	
R2	Stack pointer (SP)		
R3.w0	Expression register		
R3.w2	Expression register (usually used as Link register to store the return address)		Yes
R4	Argument pointer (AP)		Yes
R5	Expression register		Yes
R6	Expression register		Yes
R7	Expression register		Yes
R8	Expression register		Yes
R9	Expression register		Yes
R10	Expression register		Yes
R11	Expression register		Yes
R12	Expression register		Yes
R13	Expression register		Yes
R14	Return register	Yes	
R15	Expression register	Yes	
R16	Expression register	Yes	
R17	Expression register	Yes	
R18	Expression register	Yes	
R19	Expression register	Yes	
R20	Expression register	Yes	
R21	Expression register	Yes	
R22	Expression register	Yes	
R23	Expression register	Yes	
R24	Expression register	Yes	
R25	Expression register	Yes	

Table 6-4. Register Usage (continued)

Register	Usage	Save on Call	Save on Entry
R26	Expression register	Yes	
R27	Expression register	Yes	
R28	Expression register	Yes	
R29	Expression register	Yes	
R30	Control register		
R31	Control register		

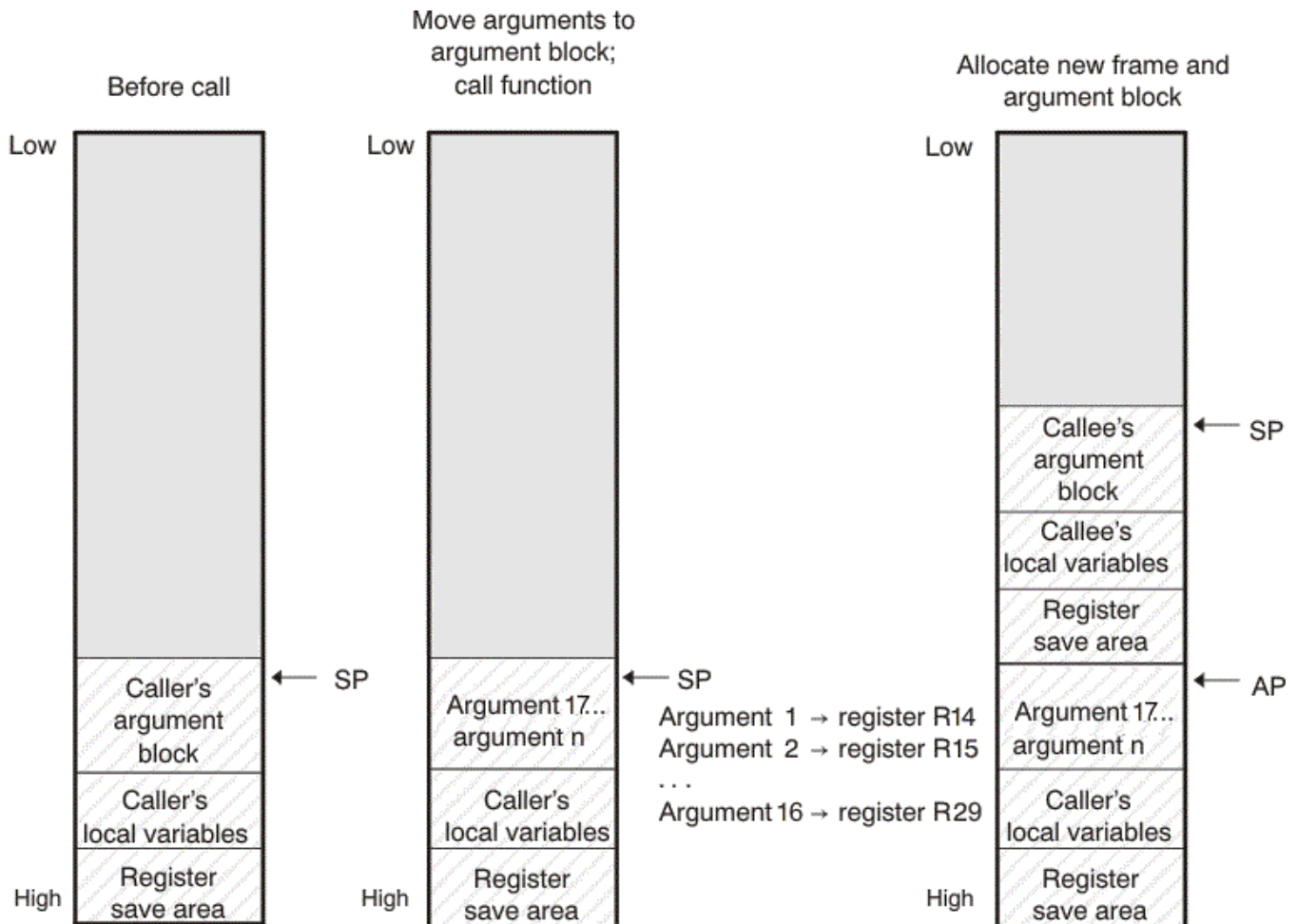
6.4 Function Structure and Calling Conventions

The C/C++ compiler imposes a strict set of rules on function calls. Except for special run-time support functions, any function that calls or is called by a C/C++ function must follow these rules. Failure to adhere to these rules can disrupt the C/C++ environment and cause a program to fail.

The following sections use this terminology to describe the function-calling conventions of the C/C++ compiler:

- **Argument block.** The part of the local frame used to pass arguments to other functions. Arguments are passed to a function by moving them into the argument block rather than pushing them on the stack. The local frame and argument block are allocated at the same time.
- **Register save area.** The part of the local frame that is used to save the registers when the program calls the function and restore them when the program exits the function.
- **Save-on-call registers.** Registers R0-R1 and R14-R29. The called function does not preserve the values in these registers; therefore, the calling function must save them if their values need to be preserved.
- **Save-on-entry registers.** Registers R3.w2 through R13. It is the called function's responsibility to preserve the values in these registers. If the called function modifies these registers, it saves them when it gains control and preserves them when it returns control to the calling function.

[Figure 6-2](#) illustrates a typical function call. In this example, arguments are passed to the function, and the function uses local variables and calls another function. Registers R14-R29 are used to pass arguments 1 through 16. If there are additional arguments, the stack is used. This example also shows allocation of a local frame and argument block for the called function. Functions that have no local variables and do not require an argument block do not allocate a local frame.

Figure 6-2. Use of the Stack During a Function Call


Legend: AP: argument pointer
SP: stack pointer

6.4.1 How a Function Makes a Call

A function (parent function) performs the following tasks when it calls another function (child function).

1. The calling function (parent) is responsible for preserving any save-on-call registers across the call that are live across the call. (The save-on-call registers are R0-R1 and R14-R29)
2. If the called function (child) returns a structure, the caller allocates space for the structure and passes the address of that space to the called function as the first argument.
3. The caller places the first arguments in registers R14-R29, in that order. The caller moves the remaining arguments to the argument block in reverse order, placing the leftmost remaining argument at the lowest address. Thus, the leftmost remaining argument is placed at the top of the stack.

6.4.1.1 Layout of Arguments Passed in Registers

The argument registers for PRU are R14-R29. PRU supports efficient sub-register accesses of the form Rx.by and Rx.wy. For example, F14.b1 or F14.w2.

Because of this capability, arguments are packed into registers based on their size. 8-bit scalars are passed using 8-bits of a register and are accessed using Rx.by register operands. 16-bit scalars are passed using 16-bits of a register and are accessed using Rx.wy register operands. 32-bit scalars are passed using a full register. 64-bit scalars are passed in two registers referred to as a register pair. For register pairs, the lowest-numbered register holds the LSW (least significant word). Structures can be passed and returned in registers. Structures of size 8, 16, 24, 32, and 64 bits are passed and returned in registers (see [Section 6.4.1.3](#)).

Arguments are assigned, in declared order, to the first available slot within the argument registers. Holes can be left in the argument registers if 8-bit and 16-bit variables are passed. In this case those holes are filled with subsequent arguments. For example:

```
foo(int a1, short a2, int a3, short a4)
```

In this example, a1 is assigned to R14, a2 is assigned to R15.w0, a3 is assigned to R16, and a4 is assigned to R15.w2 to fill the hole left by a2.

6.4.1.2 Stack Layout of Arguments Not Passed in Registers

Any arguments not passed in registers are placed on the stack at increasing addresses, starting at 0(SP). Each argument is placed at the next available address correctly aligned for its type, subject to the following additional considerations:

- The stack alignment of a scalar is that of its declared type.
- Each argument reserves an amount of stack space equal to its size rounded up to the next multiple of its stack alignment.

For a variadic C function (that is, a function declared with an ellipsis indicating that it is called with varying numbers of arguments), the last explicitly declared argument and all remaining arguments are passed on the stack, so that its stack address can act as a reference for accessing the undeclared arguments. Undeclared scalar arguments to a variadic function that are smaller than int are promoted to and passed as int, in accordance with the C language. Alignment "holes" can occur between arguments passed on the stack, but "back-fill" does not occur.

6.4.1.3 Layout of Structures or Unions Passed and Returned by Reference

Structures (including classes) and unions larger than 64 bits are passed and returned by reference. To pass a structure or union by reference, the caller places its address in the appropriate location: either in a register or on the stack, according to its position in the argument list. To preserve pass-by-value semantics (required for C and C++), the callee may need to make its own copy of the pointed-to object. In some cases, the callee need not make a copy, such as if the callee is a leaf and it does not modify the pointed-to object.

If the called function returns a structure or union larger than 64 bits, the caller must pass an additional argument containing a destination address for the returned value, or NULL if the returned value is not used.

This additional argument is passed in the first argument register as an implicit first argument. The callee returns the object by copying it to the given address. The caller is responsible for allocating memory if required. Typically this involves reserving space on the stack, but in some cases the address of an already-existing object can be passed and no allocation is required. For example, if f returns a structure, the assignment `s = f()` can be compiled by passing `&s` in the first argument register.

6.4.2 How a Called Function Responds

A called function (child function) must perform the following tasks:

1. If the function is declared with an ellipsis, it can be called with a variable number of arguments. The called function pushes these arguments on the stack if they meet both of these criteria:
 - The argument includes or follows the last explicitly declared argument.
 - The argument is passed in a register.
2. The called function pushes register values of all the registers that are modified by the function and that must be preserved upon exit of the function onto the stack. Normally, these registers are the save-on-entry registers--R3.w2 through R13--if the function contains calls.
3. The called function allocates memory for the local variables and argument block by subtracting a constant from the SP. This constant is computed with the following formula:

$$\text{size of all local variables} + \text{max} = \text{constant}$$

The *max* argument specifies the size of all parameters placed in the argument block for each call.

4. The called function executes the code for the function.
5. If the called function returns a value, it places the value in R14.
6. If the called function returns a structure, it copies the structure to the memory block that the first argument, R14, points to. If the caller does not use the return value, R14 is set to 0. This directs the called function not to copy the return structure.

In this way, the caller can be smart about telling the called function where to return the structure. For example, in the statement $s = f(x)$, where s is a structure and f is a function that returns a structure, the caller can simply pass the address of s as the first argument and call f . The function f then copies the return structure directly into s , performing the assignment automatically.

You must be careful to properly declare functions that return structures, both at the point where they are called (so the caller properly sets up the first argument) and at the point where they are declared (so the function knows to copy the result).

7. The called function deallocates the frame and argument block by adding the constant computed in Step 3.
8. The called function restores all registers that were saved in Step 2.
9. The called function (`_f`) branches to the return address..

The following example is typical of how a called function responds to a call:

```

                                ; called function entry point
SUB     r2, r2, 0x06             ; allocate frame
SBBO   &r3.b2, r2, 0, 6         ; save R3.w2 and R2
...
LBBO   &r3.b2, r2, 0, 6         ; restore R3.w2 and R2
ADD    r2, r2, 0x06            ; deallocate frame

```

6.4.3 Accessing Arguments and Local Variables

A function accesses its local nonregister variables indirectly through the stack pointer (SP, which is R2) and its stack arguments indirectly through the argument pointer (AP, which is R4). If all stack arguments can be referenced with the SP, they are, and the AP is not reserved. The SP always points to the top of the stack (points to the most recently pushed value) and the AP points to the leftmost stack argument (the one closest to the top of the stack). For example:

```

LBBO &R0, R2, 4, 4 ; load local var from stack
LBBO &R0, R4, 0, 4 ; load argument from stack

```

Since the stack grows toward smaller addresses, the local and argument data on the stack for the C/C++ function is accessed with a positive offset from the SP or the AP register.

6.5 Accessing Linker Symbols in C and C++

See the section on "Using Linker Symbols in C/C++ Applications" in the *PRU Assembly Language Tools User's Guide* for information about referring to linker symbols in C/C++ code.

6.6 Interfacing C and C++ With Assembly Language

The following are ways to use assembly language with C/C++ code:

- Use separate modules of assembled code and link them with compiled C/C++ modules (see [Section 6.6.1](#)).
- Use assembly language variables and constants in C/C++ source (see [Section 6.6.3](#)).
- Use inline assembly language embedded directly in the C/C++ source (see [Section 6.6.5](#)).
- Modify the assembly language code that the compiler produces (see [Section 6.6.6](#)).

6.6.1 Using Assembly Language Modules With C/C++ Code

Interfacing C/C++ with assembly language functions is straightforward if you follow the calling conventions defined in [Section 6.4](#), and the register conventions defined in [Section 6.3](#). C/C++ code can access variables and call functions defined in assembly language, and assembly code can access C/C++ variables and call C/C++ functions.

Follow these guidelines to interface assembly language and C:

- You must preserve any dedicated registers modified by a function. Dedicated registers include:
 - Save-on-entry registers (R3.w2-R13)
 - Stack pointer (R2)

If the SP is used normally, it does not need to be explicitly preserved. In other words, the assembly function is free to use the stack as long as anything that is pushed onto the stack is popped back off before the function returns (thus preserving SP).

Any register that is not dedicated can be used freely without first being saved.

- When you call a C/C++ function from assembly language, load the designated registers with arguments and push the remaining arguments onto the stack as described in [Section 6.4.1](#). Remember that a function can alter any register not designated as being preserved without having to restore it. If the contents of any of these registers must be preserved across the call, you must explicitly save them.
- Functions must return values correctly according to their C/C++ declarations. Every value is returned starting with R14. 64-bit types are returned in R14-R15, and structures are returned as described in Step 2 of [Section 6.4.1](#).
- No assembly module should use the `.cinit` section for any purpose other than autoinitialization of global variables. The C/C++ startup routine assumes that the `.cinit` section consists *entirely* of initialization tables. Disrupting the tables by putting other information in `.cinit` can cause unpredictable results.
- The compiler assigns linknames to all external objects. Thus, when you write assembly language code, you must use the same linknames as those assigned by the compiler. See [Section 5.12](#) for details.
- Any object or function declared in assembly language that is accessed or called from C/C++ must be declared with the `.def` or `.global` directive in the assembly language modifier. This declares the symbol as external and allows the linker to resolve references to it.

Likewise, to access a C/C++ function or object from assembly language, declare the C/C++ object with the `.ref` or `.global` directive in the assembly language module. This creates an undeclared external reference that the linker resolves.

6.6.2 Accessing Assembly Language Functions From C/C++

Functions defined in C++ that will be called from assembly should be defined as `extern "C"` in the C++ file. Functions defined in assembly that will be called from C++ must be prototyped as `extern "C"` in C++.

[Example 6-1](#) illustrates a C++ function called `main`, which calls an assembly language function called `asmfunc`, [Example 6-2](#). The `asmfunc` function takes its single argument, adds it to the C++ global variable called `gvar`, and returns the result.

Example 6-1. Calling an Assembly Language Function From a C/C++ Program

```
extern "C" {
extern int asmfunc(int a); /* declare external asm function */
int gvar = 0;             /* define global variable          */
}

void main()
{
    int I = 5;

    I = asmfunc(I);      /* call function normally      */
}
```

Example 6-2. Assembly Language Program Called by [Example 6-1](#)

```
.global asmfunc
.global gvar

asmfunc:
    LDI    r0, gvar
    LBBO  &r1, r0, 0, 4
    ADD   r14, r1, r14
    SBBO  &r14, r0, 0, 4
    JMP   r3.w2
```

In the C++ program in [Example 6-1](#), the `extern "C"` declaration tells the compiler to use C naming conventions (that is, no name mangling). When the linker resolves the `.global asmfunc` reference, the corresponding definition in the assembly file will match.

The parameter `i` is passed in R0, and the result is returned in R0. R1 holds the address of the global `gvar`. R2 holds the value of `gvar` before adding the value `i` to it.

6.6.3 Accessing Assembly Language Variables From C/C++

It is sometimes useful for a C/C++ program to access variables or constants defined in assembly language. There are several methods that you can use to accomplish this, depending on where and how the item is defined: a variable defined in the `.bss` section, a variable not defined in the `.bss` section, or a linker symbol.

6.6.3.1 Accessing Assembly Language Global Variables

Accessing variables from the `.bss` section or a section named with `.usect` is straightforward:

1. Use the `.bss` or `.usect` directive to define the variable.
2. Use the `.def` or `.global` directive to make the definition external.
3. Use the appropriate linkname in assembly language.
4. In C/C++, declare the variable as *extern* and access it normally.

[Example 6-4](#) and [Example 6-3](#) show how you can access a variable defined in .bss.

Example 6-3. Assembly Language Variable Program

```
.bss    var,4,4    ; Define the variable
.global var        ; Declare the variable as external
```

Example 6-4. C Program to Access Assembly Language From [Example 6-3](#)

```
extern int var;      /* External variable */
var = 1;            /* Use the variable */
```

6.6.3.2 Accessing Assembly Language Constants

You can define global constants in assembly language by using the .set directive in combination with either the .def or .global directive, or you can define them in a linker command file using a linker assignment statement. These constants are accessible from C/C++ only with the use of special operators.

For **variables** defined in C/C++ or assembly language, the symbol table contains the *address of the value* contained by the variable. When you access an assembly variable by name from C/C++, the compiler gets the value using the address in the symbol table.

For **assembly constants**, however, the symbol table contains the actual *value* of the constant. The compiler cannot tell which items in the symbol table are addresses and which are values. If you access an assembly (or linker) constant by name, the compiler tries to use the value in the symbol table as an address to fetch a value. To prevent this behavior, you must use the & (address of) operator to get the value (_symval). In other words, if x is an assembly language constant, its value in C/C++ is &x. See the section on "Using Linker Symbols in C/C++ Applications" in the *PRU Assembly Language Tools User's Guide* for more examples that use _symval.

For more about symbols and the symbol table, refer to the section on "Symbols" in the *PRU Assembly Language Tools User's Guide*.

You can use casts and #defines to ease the use of these symbols in your program, as in [Example 6-5](#) and [Example 6-6](#).

Example 6-5. Accessing an Assembly Language Constant From C

```
extern int table_size;      /*external ref */
#define TABLE_SIZE ((int) (&table_size))
.                            /* use cast to hide address-of */
.
.
for (I=0; i<TABLE_SIZE; ++I) /* use like normal symbol */
```

Example 6-6. Assembly Language Program for [Example 6-5](#)

```
_table_size .set    10000    ; define the constant
.global _table_size ; make it global
```

Because you are referencing only the symbol's value as stored in the symbol table, the symbol's declared type is unimportant. In [Example 6-5](#), int is used. You can reference linker-defined symbols in a similar manner.

6.6.4 Sharing C/C++ Header Files With Assembly Source

You can use the `.cdecls` assembler directive to share C headers containing declarations and prototypes between C and assembly code. Any legal C/C++ can be used in a `.cdecls` block and the C/C++ declarations will cause suitable assembly to be generated automatically, allowing you to reference the C/C++ constructs in assembly code. For more information, see the C/C++ header files chapter in the *PRU Assembly Language Tools User's Guide*.

6.6.5 Using Inline Assembly Language

Within a C/C++ program, you can use the `asm` statement to insert a single line of assembly language into the assembly language file created by the compiler. A series of `asm` statements places sequential lines of assembly language into the compiler output with no intervening code. For more information, see [Section 5.8](#).

The `asm` statement is useful for inserting comments in the compiler output. Simply start the assembly code string with a semicolon (`;`) as shown below:

```
asm(" ;*** this is an assembly language comment");
```

NOTE: Using the `asm` Statement

Keep the following in mind when using the `asm` statement:

- Be extremely careful not to disrupt the C/C++ environment. The compiler does not check or analyze the inserted instructions.
 - Avoid inserting jumps or labels into C/C++ code because they can produce unpredictable results by confusing the register-tracking algorithms that the code generator uses.
 - Do not change the value of a C/C++ variable when using an `asm` statement. This is because the compiler does not verify such statements. They are inserted as is into the assembly code, and potentially can cause problems if you are not sure of their effect.
 - Do not use the `asm` statement to insert assembler directives that change the assembly environment.
 - Avoid creating assembly macros in C code and compiling with the `--symdebug:dwarf` (or `-g`) option. The C environment's debug information and the assembly macro expansion are not compatible.
-

6.6.6 Modifying Compiler Output

You can inspect and change the compiler's assembly language output by compiling the source and then editing the assembly output file before assembling it. The C/C++ `interlist` feature can help you inspect compiler output. See [Section 2.12](#).

6.7 System Initialization

Before you can run a C/C++ program, you must create the C/C++ run-time environment. The C/C++ boot routine performs this task using a function called `c_int00` (or `_c_int00`). The run-time-support source library, `rts.src`, contains the source to this routine in a module named `boot.c` (or `boot.asm`).

To begin running the system, the `c_int00` function can be called by reset hardware. You must link the `c_int00` function with the other object files. This occurs automatically when you use the `--rom_model` or `--ram_model` link option and include a standard run-time-support library as one of the linker input files.

When C/C++ programs are linked, the linker sets the entry point value in the executable output file to the symbol `c_int00`.

The `c_int00` function performs the following tasks to initialize the environment:

1. Switches to the appropriate mode, reserves space for the run-time stack, and sets up the initial value of the stack pointer (SP). The stack is not aligned on specific boundary.
2. Calls the function `__TI_auto_init` to perform the C/C++ autoinitialization.

The `__TI_auto_init` function does the following tasks:

- Processes the binit copy table, if present.
 - Performs C autoinitialization of global/static variables. For more information, see [Section 6.7.2](#).
 - Calls C++ initialization routines for file scope construction from the global constructor table. For more information, see [Section 6.7.2.6](#).
3. Calls the main() function to run the C/C++ program.

You can replace or modify the boot routine to meet your system requirements. However, the boot routine *must* perform the operations listed above to correctly initialize the C/C++ environment.

6.7.1 Run-Time Stack

The run-time stack is allocated in a single continuous block of memory and grows down from high addresses to lower addresses. The SP points to the top of the stack.

The code does not check to see if the run-time stack overflows. Stack overflow occurs when the stack grows beyond the limits of the memory space that was allocated for it. Be sure to allocate adequate memory for the stack.

The stack size can be changed at link time by using the `--stack_size` link option on the linker command line and specifying the stack size as a constant directly after the option.

The C/C++ boot routine shipped with the compiler sets up the user/thread mode run-time stack. If your program uses a run-time stack when it is in other operating modes, you must also allocate space and set up the run-time stack corresponding to those modes.

The stack is not aligned on a specific boundary.

6.7.2 Automatic Initialization of Variables

Any global variables declared as preinitialized must have initial values assigned to them before a C/C++ program starts running. The process of retrieving these variables' data and initializing the variables with the data is called autoinitialization. Internally, the compiler and linker coordinate to produce compressed initialization tables. Your code should not access the initialization table.

6.7.2.1 Zero Initializing Variables

In ANSI C, global and static variables that are not explicitly initialized must be set to 0 before program execution. The C/C++ compiler supports preinitialization of uninitialized variables by default. This can be turned off by specifying the linker option `--zero_init=off`.

6.7.2.2 Direct Initialization

The compiler uses direct initialization to initialize global variables. For example, consider the following C code:

```
int i    = 23;
int a[5] = { 1, 2, 3, 4, 5 };
```

The compiler allocates the variables 'i' and 'a[]' to .data section and the initial values are placed directly.

```
.global i
.data
.align 4
i:
    .field      23,32          ; i @ 0

.global a
.data
.align 4
a:
    .field      1,32          ; a[0] @ 0
    .field      2,32          ; a[1] @ 32
    .field      3,32          ; a[2] @ 64
    .field      4,32          ; a[3] @ 96
    .field      5,32          ; a[4] @ 128
```

Each compiled module that defines static or global variables contains these .data sections. The linker treats the .data section like any other initialized section and creates an output section. In the load-time initialization model, the sections are loaded into memory and used by the program. See [Section 6.7.2.5](#).

In the run-time initialization model, the linker uses the data in these sections to create initialization data and an additional compressed initialization table. The boot routine processes the initialization table to copy data from load addresses to run addresses. See [Section 6.7.2.3](#).

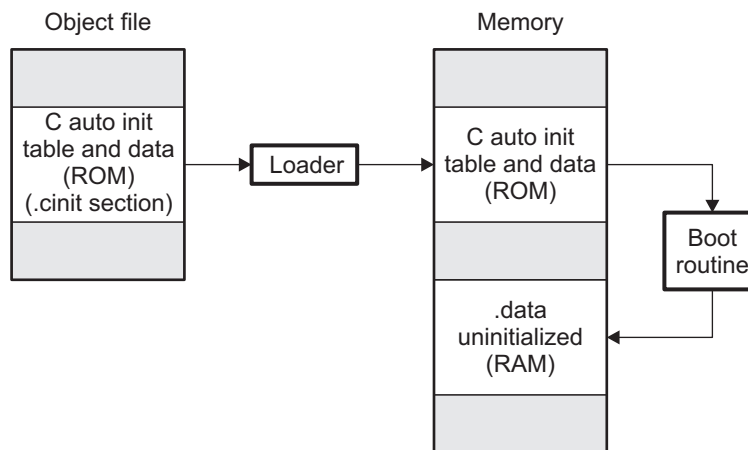
6.7.2.3 Autoinitialization of Variables at Run Time

Autoinitializing variables at run time is the default method of autoinitialization. To use this method, invoke the linker with the --rom_model option.

Using this method, the linker creates a compressed initialization table and initialization data from the direct initialized sections in the compiled module. The table and data are used by the C/C++ boot routine to initialize variables in RAM using the table and data in ROM.

[Figure 6-3](#) illustrates autoinitialization at run time. Use this method in any system where your application runs from code burned into ROM.

Figure 6-3. Autoinitialization at Run Time



6.7.2.4 Autoinitialization Tables

The compiled object files do not have initialization tables. The variables are initialized directly. The linker, when the --rom_model option is specified, creates C auto initialization table and the initialization data. The linker creates both the table and the initialization data in an output section named .cinit.

The autoinitialization table has the following format:

`__TI_CINIT_Base:`

32-bit load address	32-bit run address
⋮	⋮
32-bit load address	32-bit run address

`__TI_CINIT_Limit:`

The linker defined symbols `__TI_CINIT_Base` and `__TI_CINIT_Limit` point to the start and end of the table, respectively. Each entry in this table corresponds to one output section that needs to be initialized. The initialization data for each output section could be encoded using different encoding.

The load address in the C auto initialization record points to initialization data with the following format:

8-bit index	Encoded data
-------------	--------------

The first 8-bits of the initialization data is the handler index. It indexes into a handler table to get the address of a handler function that knows how to decode the following data.

The handler table is a list of 32-bit function pointers.

`_TI_Handler_Table_Base:`

32-bit handler 1 address
⋮
32-bit handler n address

`_TI_Handler_Table_Limit:`

The *encoded data* that follows the 8-bit index can be in one of the following format types. For clarity the 8-bit index is also depicted for each format.

6.7.2.4.1 Length Followed by Data Format

8-bit index	24-bit padding	32-bit length (N)	N byte initialization data (not compressed)
-------------	----------------	-------------------	---------------------------------------------

The compiler uses 24-bit padding to align the length field to a 32-bit boundary. The 32-bit length field encodes the length of the initialization data in bytes (N). N byte initialization data is not compressed and is copied to the run address as is.

The run-time support library has a function `__TI_zero_init()` to process this type of initialization data. The first argument to this function is the address pointing to the byte after the 8-bit index. The second argument is the run address from the C auto initialization record.

6.7.2.4.2 Zero Initialization Format

8-bit index	24-bit padding	32-bit length (N)
-------------	----------------	-------------------

The compiler uses 24-bit padding to align the length field to a 32-bit boundary. The 32-bit length field encodes the number of bytes to be zero initialized.

The run-time support library has a function `__TI_zero_init()` to process the zero initialization. The first argument to this function is the address pointing to the byte after the 8-bit index. The second argument is the run address from the C auto initialization record.

6.7.2.4.3 Run Length Encoded (RLE) Format

8-bit index	Initialization data compressed using run length encoding
-------------	----------------------------------------------------------

The data following the 8-bit index is compressed using Run Length Encoded (RLE) format. uses a simple run length encoding that can be decompressed using the following algorithm:

1. Read the first byte, Delimiter (D).
2. Read the next byte (B).
3. If $B \neq D$, copy B to the output buffer and go to step 2.
4. Read the next byte (L).
 - a. If $L == 0$, then length is either a 16-bit, a 24-bit value, or we've reached the end of the data, read next byte (L).
 1. If $L == 0$, length is a 24-bit value or the end of the data is reached, read next byte (L).
 - a. If $L == 0$, the end of the data is reached, go to step 7.
 - b. Else $L \ll 16$, read next two bytes into lower 16 bits of L to complete 24-bit value for L.

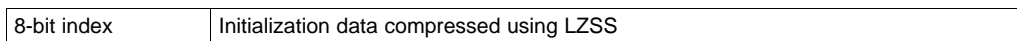
2. Else $L \leq 8$, read next byte into lower 8 bits of L to complete 16-bit value for L.
- b. Else if $L > 0$ and $L < 4$, copy D to the output buffer L times. Go to step 2.
- c. Else, length is 8-bit value (L).
5. Read the next byte (C); C is the repeat character.
6. Write C to the output buffer L times; go to step 2.
7. End of processing.

The run-time support library has a routine `__TI_decompress_rle24()` to decompress data compressed using RLE. The first argument to this function is the address pointing to the byte after the 8-bit index. The second argument is the run address from the C auto initialization record.

RLE Decompression Routine

NOTE: The previous decompression routine, `__TI_decompress_rle()`, is included in the run-time-support library for decompressing RLE encodings generated by older versions of the linker.

6.7.2.4 Lempel-Ziv-Storer-Szymanski Compression (LZSS) Format



The data following the 8-bit index is compressed using LZSS compression. The run-time support library has the routine `__TI_decompress_lzss()` to decompress the data compressed using LZSS. The first argument to this function is the address pointing to the byte after the 8-bit index. The second argument is the run address from the C auto initialization record.

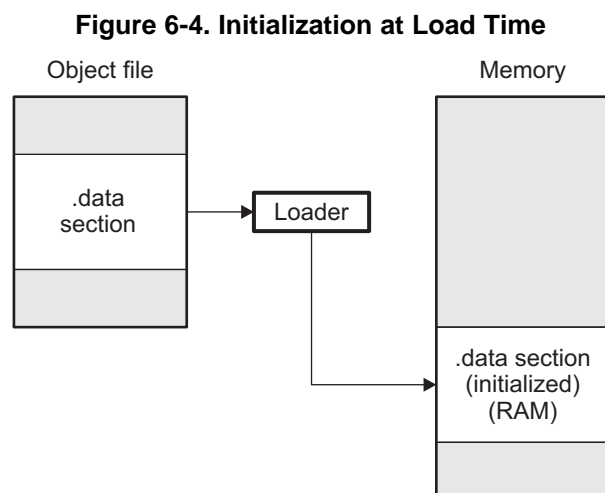
6.7.2.5 Initialization of Variables at Load Time

Initialization of variables at load time enhances performance by reducing boot time and by saving the memory used by the initialization tables. To use this method, invoke the linker with the `--ram_model` option.

When you use the `--ram_model` link option, the linker does not generate C autoinitialization tables and data. The direct initialized sections (`.data`) in the compiled object files are combined according to the linker command file to generate initialized output sections. The loader loads the initialized output sections into memory. After the load, the variables are assigned their initial values.

Since the linker does not generate the C autoinitialization tables, no boot time initialization is performed.

Figure 6-4 illustrates the initialization of variables at load time.



6.7.2.6 Global Constructors

All global C++ variables that have constructors must have their constructor called before main(). The compiler builds a table of global constructor addresses that must be called, in order, before main() in a section called .init_array. The linker combines the .init_array section from each input file to form a single table in the .init_array section. The boot routine uses this table to execute the constructors. The linker defines two symbols to identify the combined .init_array table as shown below. This table is not null terminated by the linker.

Figure 6-5. Constructor Table

SHT\$\$INIT_ARRAY\$\$Base:

Address of constructor 1
Address of constructor 2
⋮
Address of constructor n

SHT\$\$INIT_ARRAY\$\$Limit:

Using Run-Time-Support Functions and Building Libraries

Some of the features of C/C++ (such as I/O, dynamic memory allocation, string operations, and trigonometric functions) are provided as an ANSI/ISO C/C++ standard library, rather than as part of the compiler itself. The TI implementation of this library is the run-time-support library (RTS). The C/C++ compiler implements the ISO standard library except for those facilities that handle exception conditions, signal and locale issues (properties that depend on local language, nationality, or culture). Using the ANSI/ISO standard library ensures a consistent set of functions that provide for greater portability.

In addition to the ANSI/ISO-specified functions, the run-time-support library includes routines that give you processor-specific commands and direct C language I/O requests. These are detailed in [Section 7.1](#) and [Section 7.2](#).

A library-build utility is provided with the code generation tools that lets you create customized run-time-support libraries. This process is described in [Section 7.4](#).

Topic	Page
7.1 C and C++ Run-Time Support Libraries	125
7.2 The C I/O Functions	127
7.3 Handling Reentrancy (<code>_register_lock()</code> and <code>_register_unlock()</code> Functions)	139
7.4 Library-Build Process	140

7.1 C and C++ Run-Time Support Libraries

PRU compiler releases include pre-built run-time support (RTS) libraries that provide all the standard capabilities. Separate libraries are provided for big and little endian support for each of PRU silicon versions 1 through 3, and C++ exception support. See [Section 7.1.7](#) for information on the library-naming conventions.

The run-time-support library contains the following:

- ANSI/ISO C/C++ standard library
- C I/O library
- Low-level support functions that provide I/O to the host operating system
- Fundamental arithmetic routines
- System startup routine, `_c_int00`
- Compiler helper functions (to support language features that are not directly efficiently expressible in C/C++)

The run-time-support libraries do not contain functions involving signals and locale issues.

The C++ library supports wide chars, in that template functions and classes that are defined for char are also available for wide char. For example, wide char stream classes `wios`, `wiostream`, `wstreambuf` and so on (corresponding to char classes `ios`, `iostream`, `streambuf`) are implemented. However, there is no low-level file I/O for wide chars. Also, the C library interface to wide char support (through the C++ headers `<wchar>` and `<cwctype>`) is limited as described in [Section 5.1](#).

TI does not provide documentation that covers the functionality of the C++ library. TI suggests referring to one of the following sources:

- *The Standard C++ Library: A Tutorial and Reference*, Nicolai M. Josuttis, Addison-Wesley, ISBN 0-201-37926-0
- *The C++ Programming Language* (Third or Special Editions), Bjarne Stroustrup, Addison-Wesley, ISBN 0-201-88954-4 or 0-201-70073-5

7.1.1 Linking Code With the Object Library

When you link your program, you must specify the object library as one of the linker input files so that references to the I/O and run-time-support functions can be resolved. You can either specify the library or allow the compiler to select one for you. See [Section 4.3.1](#) for further information.

When a library is linked, the linker includes only those library members required to resolve undefined references. For more information about linking, see the *PRU Assembly Language Tools User's Guide*.

C, C++, and mixed C and C++ programs can use the same run-time-support library. Run-time-support functions and variables that can be called and referenced from both C and C++ will have the same linkage.

7.1.2 Header Files

You must use the header files provided with the compiler run-time support when using functions from C/C++ standard library. Set the `PRU_C_DIR` environment variable to the include directory where the tools are installed.

7.1.3 Modifying a Library Function

You can inspect or modify library functions by examining the source code in the `lib/src` subdirectory of the compiler installation. For example, `C:\ti\ccsv7\tools\compiler\pru_#.#.#\lib\src`.

Once you have located the relevant source code, change the specific function file and rebuild the library.

You can use this source tree to rebuild the `rtspruv3_le.lib` library or to build a new library. See [Section 7.4](#) for details on building.

7.1.4 Support for String Handling

The library includes the header files `<string.h>` and `<strings.h>`, which provide the following functions for string handling beyond those required.

- `string.h`
 - `strdup()`, which duplicates a string
- `strings.h`
 - `bcmp()`, which is equivalent to `memcmp()`
 - `bcopy()`, which is equivalent to `memcpy()`
 - `bzero()`, which replaces memory locations with zero-valued bytes
 - `ffs()`, which finds the first bit set and returns the index of that bit
 - `index()`, which is equivalent to `strchr()`
 - `rindex()`, which is equivalent to `strrchr()`
 - `strcasecmp()` and `strncasecmp()`, which perform case-insensitive string comparisons

7.1.5 Minimal Support for Internationalization

The library includes the header files `<locale.h>`, `<wchar.h>`, and `<wctype.h>`, which provide APIs to support non-ASCII character sets and conventions. Our implementation of these APIs is limited in the following ways:

- The library has minimal support for wide and multibyte characters. The type `wchar_t` is implemented as `int`. The wide character set is equivalent to the set of values of type `char`. The library includes the header files `<wchar.h>` and `<wctype.h>` but does not include all the functions specified in the standard. So-called multibyte characters are limited to single characters. There are no shift states. The mapping between multibyte characters and wide characters is simple equivalence; that is, each wide character maps to and from exactly a single multibyte character having the same value.
- The C library includes the header file `<locale.h>` but with a minimal implementation. The only supported locale is the C locale. That is, library behavior that is specified to vary by locale is hard-coded to the behavior of the C locale, and attempting to install a different locale via a call to `setlocale()` will return `NULL`.

7.1.6 Allowable Number of Open Files

In the `<stdio.h>` header file, the value for the macro `FOPEN_MAX` has the value of the macro `_NFILE`, which is set to 10. The impact is that you can only have 10 files simultaneously open at one time (including the pre-defined streams - `stdin`, `stdout`, `stderr`).

The C standard requires that the minimum value for the `FOPEN_MAX` macro is 8. The macro determines the maximum number of files that can be opened at one time. The macro is defined in the `stdio.h` header file and can be modified by changing the value of the `_NFILE` macro and recompiling the library.

7.1.7 Library Naming Conventions

By default, the linker uses automatic library selection to select the correct run-time-support library (see [Section 4.3.1.1](#)) for your application. If you select the library manually, you must select the matching library according to the following naming scheme:

`rtspru[v#]_[endian]_[eh].lib`

<code>rtspru</code>	Indicates the library is built for PRU support
<code>_v#</code>	Indicates the silicon version number of the device for which the library is built
<code>_endian</code>	"le" indicates library is built for little endian support; "be" indicates library is built for big endian support
<code>_eh</code>	Indicates the library has exception handling support

7.2 The C I/O Functions

The C I/O functions make it possible to access the host's operating system to perform I/O. The capability to perform I/O on the host gives you more options when debugging and testing code.

The I/O functions are logically divided into layers: high level, low level, and device-driver level.

With properly written device drivers, the C-standard high-level I/O functions can be used to perform I/O on custom user-defined devices. This provides an easy way to use the sophisticated buffering of the high-level I/O functions on an arbitrary device.

The formatting rules for long long data types require ll (lowercase LL) in the format string. For example:

```
printf("%lld", 0x0011223344556677);
printf("llx", 0x0011223344556677);
```

Debugger Required for Default HOST

NOTE: For the default HOST device to work, there must be a debugger to handle the C I/O requests; the default HOST device cannot work by itself in an embedded system. To work in an embedded system, you will need to provide an appropriate driver for your system.

NOTE: C I/O Mysteriously Fails

If there is not enough space on the heap for a C I/O buffer, operations on the file will silently fail. If a call to printf() mysteriously fails, this may be the reason. The heap needs to be at least large enough to allocate a block of size BUFSIZ (defined in stdio.h) for every file on which I/O is performed, including stdout, stdin, and stderr, plus allocations performed by the user's code, plus allocation bookkeeping overhead. Alternately, declare a char array of size BUFSIZ and pass it to setvbuf to avoid dynamic allocation. To set the heap size, use the --heap_size option when linking (refer to the *Linker Description* chapter in the *PRU Assembly Language Tools User's Guide*).

NOTE: Open Mysteriously Fails

The run-time support limits the total number of open files to a small number relative to general-purpose processors. If you attempt to open more files than the maximum, you may find that the open will mysteriously fail. You can increase the number of open files by extracting the source code from rts.src and editing the constants controlling the size of some of the C I/O data structures. The macro _NFILE controls how many FILE (fopen) objects can be open at one time (stdin, stdout, and stderr count against this total). (See also FOPEN_MAX.) The macro _NSTREAM controls how many low-level file descriptors can be open at one time (the low-level files underlying stdin, stdout, and stderr count against this total). The macro _NDEVICE controls how many device drivers are installed at one time (the HOST device counts against this total).

7.2.1 High-Level I/O Functions

The high-level functions are the standard C library of stream I/O routines (printf, scanf, fopen, getchar, and so on). These functions call one or more low-level I/O functions to carry out the high-level I/O request. The high-level I/O routines operate on FILE pointers, also called *streams*.

Portable applications should use only the high-level I/O functions.

To use the high-level I/O functions:

- Include the header file `stdio.h` for each module that references a function.
- Allow for 320 bytes of heap space for each I/O stream used in your program. A stream is a source or destination of data that is associated with a peripheral, such as a terminal or keyboard. Streams are buffered using dynamically allocated memory that is taken from the heap. More heap space may be required to support programs that use additional amounts of dynamically allocated memory (calls to `malloc()`). To set the heap size, use the `--heap_size` option when linking; see [Table 2-19](#).

For example, given the following C program in a file named `main.c`:

```
#include <stdio.h>

void main()
{
    FILE *fid;

    fid = fopen("myfile","w");
    fprintf(fid,"Hello, world\n");
    fclose(fid);

    printf("Hello again, world\n");
}
```

Issuing the following compiler command compiles, links, and creates the file `main.out` from the run-time-support library:

```
clpru main.c --run_linker --heap_size=400 --library=rtspru_v3_le.lib --output_file=main.out
```

Executing `main.out` results in

```
Hello, world
```

being output to a file and

```
Hello again, world
```

being output to your host's stdout window.

7.2.1.1 Formatting and the Format Conversion Buffer

The internal routine behind the C I/O functions—such as `printf()`, `vsprintf()`, and `snprintf()`—reserves stack space for a format conversion buffer. The buffer size is set by the macro `FORMAT_CONVERSION_BUFFER`, which is defined in `format.h`. Consider the following issues before reducing the size of this buffer:

- The default buffer size is 510 bytes. If `MINIMAL` is defined, the size is set to 32, which allows integer values without width specifiers to be printed.
- Each conversion specified with `%xxxx` (except `%s`) must fit in `FORMAT_CONVERSION_BUFSIZE`. This means any individual formatted float or integer value, accounting for width and precision specifiers, needs to fit in the buffer. Since the actual value of any representable number should easily fit, the main concern is ensuring the width and/or precision size meets the constraints.
- The length of converted strings using `%s` are unaffected by any change in `FORMAT_CONVERSION_BUFSIZE`. For example, you can specify `printf("%s value is %d", some_really_long_string, intval)` without a problem.
- The constraint is for each individual item being converted. For example a format string of `%d item1 %f item2 %e item3` does not need to fit in the buffer. Instead, each converted item specified with a `%` format must fit.
- There is no buffer overrun check.

7.2.2 Overview of Low-Level I/O Implementation

The low-level functions are comprised of seven basic I/O functions: open, read, write, close, lseek, rename, and unlink. These low-level routines provide the interface between the high-level functions and the device-level drivers that actually perform the I/O command on the specified device.

The low-level functions are designed to be appropriate for all I/O methods, even those which are not actually disk files. Abstractly, all I/O channels can be treated as files, although some operations (such as lseek) may not be appropriate. See [Section 7.2.3](#) for more details.

The low-level functions are inspired by, but not identical to, the POSIX functions of the same names.

The low-level functions operate on file descriptors. A file descriptor is an integer returned by open, representing an opened file. Multiple file descriptors may be associated with a file; each has its own independent file position indicator.

open	<i>Open File for I/O</i>
Syntax	<pre>#include <file.h> int open (const char * path , unsigned flags , int file_descriptor);</pre>
Description	<p>The open function opens the file specified by <i>path</i> and prepares it for I/O.</p> <ul style="list-style-type: none"> • The <i>path</i> is the filename of the file to be opened, including an optional directory path and an optional device specifier (see Section 7.2.5). • The <i>flags</i> are attributes that specify how the file is manipulated. The flags are specified using the following symbols: <pre>O_RDONLY (0x0000) /* open for reading */ O_WRONLY (0x0001) /* open for writing */ O_RDWR (0x0002) /* open for read & write */ O_APPEND (0x0008) /* append on each write */ O_CREAT (0x0200) /* open with file create */ O_TRUNC (0x0400) /* open with truncation */ O_BINARY (0x8000) /* open in binary mode */</pre> <p>Low-level I/O routines allow or disallow some operations depending on the flags used when the file was opened. Some flags may not be meaningful for some devices, depending on how the device implements files.</p> • The <i>file_descriptor</i> is assigned by open to an opened file. <p>The next available file descriptor is assigned to each new file opened.</p>
Return Value	<p>The function returns one of the following values:</p> <pre>non-negative file descriptor if successful -1 on failure</pre>

close ***Close File for I/O***

Syntax `#include <file.h>`
int close (int *file_descriptor*);

Description The close function closes the file associated with *file_descriptor*.
The *file_descriptor* is the number assigned by open to an opened file.

Return Value The return value is one of the following:
 0 if successful
 -1 on failure

read ***Read Characters from a File***

Syntax `#include <file.h>`
int read (int *file_descriptor* , char * *buffer* , unsigned *count*);

Description The read function reads *count* characters into the *buffer* from the file associated with *file_descriptor*.

- The *file_descriptor* is the number assigned by open to an opened file.
- The *buffer* is where the read characters are placed.
- The *count* is the number of characters to read from the file.

Return Value The function returns one of the following values:
 0 if EOF was encountered before any characters were read
 # number of characters read (may be less than *count*)
 -1 on failure

write ***Write Characters to a File***

Syntax `#include <file.h>`
int write (int *file_descriptor* , const char * *buffer* , unsigned *count*);

Description The write function writes the number of characters specified by *count* from the *buffer* to the file associated with *file_descriptor*.

- The *file_descriptor* is the number assigned by open to an opened file.
- The *buffer* is where the characters to be written are located.
- The *count* is the number of characters to write to the file.

Return Value The function returns one of the following values:
 # number of characters written if successful (may be less than *count*)
 -1 on failure

lseek	<i>Set File Position Indicator</i>
Syntax for C	<pre>#include <file.h> off_t lseek (int file_descriptor , off_t offset , int origin);</pre>
Description	<p>The lseek function sets the file position indicator for the given file to a location relative to the specified origin. The file position indicator measures the position in characters from the beginning of the file.</p> <ul style="list-style-type: none"> • The <i>file_descriptor</i> is the number assigned by open to an opened file. • The <i>offset</i> indicates the relative offset from the <i>origin</i> in characters. • The <i>origin</i> is used to indicate which of the base locations the <i>offset</i> is measured from. The <i>origin</i> must be one of the following macros: <ul style="list-style-type: none"> SEEK_SET (0x0000) Beginning of file SEEK_CUR (0x0001) Current value of the file position indicator SEEK_END (0x0002) End of file
Return Value	<p>The return value is one of the following:</p> <pre># new value of the file position indicator if successful (off_t)-1 on failure</pre>
unlink	<i>Delete File</i>
Syntax	<pre>#include <file.h> int unlink (const char * path);</pre>
Description	<p>The unlink function deletes the file specified by <i>path</i>. Depending on the device, a deleted file may still remain until all file descriptors which have been opened for that file have been closed. See Section 7.2.3.</p> <p>The <i>path</i> is the filename of the file, including path information and optional device prefix. (See Section 7.2.5.)</p>
Return Value	<p>The function returns one of the following values:</p> <pre>0 if successful -1 on failure</pre>

rename	<i>Rename File</i>				
Syntax for C	<pre>#include {<stdio.h> <file.h>} int rename (const char * old_name , const char * new_name);</pre>				
Syntax for C++	<pre>#include {<cstdio> <file.h>} int std::rename (const char * old_name , const char * new_name);</pre>				
Description	<p>The rename function changes the name of a file.</p> <ul style="list-style-type: none"> • The <i>old_name</i> is the current name of the file. • The <i>new_name</i> is the new name for the file. <hr/> <p>NOTE: The optional device specified in the new name must match the device of the old name. If they do not match, a file copy would be required to perform the rename, and rename is not capable of this action.</p> <hr/>				
Return Value	<p>The function returns one of the following values:</p> <table border="0"> <tr> <td style="padding-right: 20px;">0</td> <td>if successful</td> </tr> <tr> <td>-1</td> <td>on failure</td> </tr> </table> <hr/> <p>NOTE: Although rename is a low-level function, it is defined by the C standard and can be used by portable applications.</p> <hr/>	0	if successful	-1	on failure
0	if successful				
-1	on failure				

7.2.3 Device-Driver Level I/O Functions

At the next level are the device-level drivers. They map directly to the low-level I/O functions. The default device driver is the HOST device driver, which uses the debugger to perform file operations. The HOST device driver is automatically used for the default C streams stdin, stdout, and stderr.

The HOST device driver shares a special protocol with the debugger running on a host system so that the host can perform the C I/O requested by the program. Instructions for C I/O operations that the program wants to perform are encoded in a special buffer named `_CIOBUF_` in the `.cio` section. The debugger halts the program at a special breakpoint (C\$\$IO\$\$), reads and decodes the target memory, and performs the requested operation. The result is encoded into `_CIOBUF_`, the program is resumed, and the target decodes the result.

The HOST device is implemented with seven functions, `HOSTopen`, `HOSTclose`, `HOSTread`, `HOSTwrite`, `HOSTlseek`, `HOSTunlink`, and `HOSTrename`, which perform the encoding. Each function is called from the low-level I/O function with a similar name.

A device driver is composed of seven required functions. Not all function need to be meaningful for all devices, but all seven must be defined. Here we show the names of all seven functions as starting with `DEV`, but you may choose any name except for `HOST`.

DEV_open
Open File for I/O
Syntax

```
int DEV_open (const char * path , unsigned flags , int llv_fd);
```

Description

This function finds a file matching *path* and opens it for I/O as requested by *flags*.

- The *path* is the filename of the file to be opened. If the name of a file passed to open has a device prefix, the device prefix will be stripped by open, so DEV_open will not see it. (See [Section 7.2.5](#) for details on the device prefix.)
- The *flags* are attributes that specify how the file is manipulated. The flags are specified using the following symbols:

```
O_RDONLY   (0x0000) /* open for reading */
O_WRONLY   (0x0001) /* open for writing */
O_RDWR     (0x0002) /* open for read & write */
O_APPEND    (0x0008) /* append on each write */
O_CREAT     (0x0200) /* open with file create */
O_TRUNC     (0x0400) /* open with truncation */
O_BINARY    (0x8000) /* open in binary mode */
```

See POSIX for further explanation of the flags.

- The *llv_fd* is treated as a suggested low-level file descriptor. This is a historical artifact; newly-defined device drivers should ignore this argument. This differs from the low-level I/O open function.

This function must arrange for information to be saved for each file descriptor, typically including a file position indicator and any significant flags. For the HOST version, all the bookkeeping is handled by the debugger running on the host machine. If the device uses an internal buffer, the buffer can be created when a file is opened, or the buffer can be created during a read or write.

Return Value

This function must return -1 to indicate an error if for some reason the file could not be opened; such as the file does not exist, could not be created, or there are too many files open. The value of *errno* may optionally be set to indicate the exact error (the HOST device does not set *errno*). Some devices might have special failure conditions; for instance, if a device is read-only, a file cannot be opened O_WRONLY.

On success, this function must return a non-negative file descriptor unique among all open files handled by the specific device. The file descriptor need not be unique across devices. The device file descriptor is used only by low-level functions when calling the device-driver-level functions. The low-level function open allocates its own unique file descriptor for the high-level functions to call the low-level functions. Code that uses only high-level I/O functions need not be aware of these file descriptors.

DEV_close	<i>Close File for I/O</i>
------------------	----------------------------------

Syntax	int DEV_close (int dev_fd);
Description	<p>This function closes a valid open file descriptor.</p> <p>On some devices, DEV_close may need to be responsible for checking if this is the last file descriptor pointing to a file that was unlinked. If so, it is responsible for ensuring that the file is actually removed from the device and the resources reclaimed, if appropriate.</p>
Return Value	<p>This function should return -1 to indicate an error if the file descriptor is invalid in some way, such as being out of range or already closed, but this is not required. The user should not call close() with an invalid file descriptor.</p>

DEV_read	<i>Read Characters from a File</i>
-----------------	-------------------------------------------

Syntax	int DEV_read (int dev_fd , char * buf , unsigned count);
Description	<p>The read function reads <i>count</i> bytes from the input file associated with <i>dev_fd</i>.</p> <ul style="list-style-type: none"> • The <i>dev_fd</i> is the number assigned by open to an opened file. • The <i>buf</i> is where the read characters are placed. • The <i>count</i> is the number of characters to read from the file.
Return Value	<p>This function must return -1 to indicate an error if for some reason no bytes could be read from the file. This could be because of an attempt to read from a O_WRONLY file, or for device-specific reasons.</p> <p>If count is 0, no bytes are read and this function returns 0.</p> <p>This function returns the number of bytes read, from 0 to count. 0 indicates that EOF was reached before any bytes were read. It is not an error to read less than count bytes; this is common if there are not enough bytes left in the file or the request was larger than an internal device buffer size.</p>

DEV_write	<i>Write Characters to a File</i>
------------------	------------------------------------------

Syntax	int DEV_write (int dev_fd , const char * buf , unsigned count);
Description	<p>This function writes <i>count</i> bytes to the output file.</p> <ul style="list-style-type: none"> • The <i>dev_fd</i> is the number assigned by open to an opened file. • The <i>buffer</i> is where the write characters are placed. • The <i>count</i> is the number of characters to write to the file.
Return Value	<p>This function must return -1 to indicate an error if for some reason no bytes could be written to the file. This could be because of an attempt to read from a O_RDONLY file, or for device-specific reasons.</p>

DEV_lseek ***Set File Position Indicator***

Syntax **off_t lseek (int dev_fd , off_t offset , int origin);**

Description This function sets the file's position indicator for this file descriptor as [lseek](#).

If lseek is supported, it should not allow a seek to before the beginning of the file, but it should support seeking past the end of the file. Such seeks do not change the size of the file, but if it is followed by a write, the file size will increase.

Return Value If successful, this function returns the new value of the file position indicator.

This function must return -1 to indicate an error if for some reason no bytes could be written to the file. For many devices, the lseek operation is nonsensical (e.g. a computer monitor).

DEV_unlink ***Delete File***

Syntax **int DEV_unlink (const char * path);**

Description Remove the association of the pathname with the file. This means that the file may no longer be opened using this name, but the file may not actually be immediately removed.

Depending on the device, the file may be immediately removed, but for a device which allows open file descriptors to point to unlinked files, the file will not actually be deleted until the last file descriptor is closed. See [Section 7.2.3](#).

Return Value This function must return -1 to indicate an error if for some reason the file could not be unlinked (delayed removal does not count as a failure to unlink.)

If successful, this function returns 0.

DEV_rename ***Rename File***

Syntax **int DEV_rename (const char * old_name , const char * new_name);**

Description This function changes the name associated with the file.

- The *old_name* is the current name of the file.
- The *new_name* is the new name for the file.

Return Value This function must return -1 to indicate an error if for some reason the file could not be renamed, such as the file doesn't exist, or the new name already exists.

NOTE: It is inadvisable to allow renaming a file so that it is on a different device. In general this would require a whole file copy, which may be more expensive than you expect.

If successful, this function returns 0.

7.2.4 Adding a User-Defined Device Driver for C I/O

The function `add_device` allows you to add and use a device. When a device is registered with `add_device`, the high-level I/O routines can be used for I/O on that device.

You can use a different protocol to communicate with any desired device and install that protocol using `add_device`; however, the HOST functions should not be modified. The default streams `stdin`, `stdout`, and `stderr` can be remapped to a file on a user-defined device instead of HOST by using `freopen()` as in [Example 7-1](#). If the default streams are reopened in this way, the buffering mode will change to `_IOFBF` (fully buffered). To restore the default buffering behavior, call `setvbuf` on each reopened file with the appropriate value (`_IOLBF` for `stdin` and `stdout`, `_IONBF` for `stderr`).

The default streams `stdin`, `stdout`, and `stderr` can be mapped to a file on a user-defined device instead of HOST by using `freopen()` as shown in [Example 7-1](#). Each function must set up and maintain its own data structures as needed. Some function definitions perform no action and should just return.

Example 7-1. Mapping Default Streams to Device

```
#include <stdio.h>
#include <file.h>
#include "mydevice.h"

void main()
{
    add_device("mydevice", _MSA,
              MYDEVICE_open, MYDEVICE_close,
              MYDEVICE_read, MYDEVICE_write,
              MYDEVICE_lseek, MYDEVICE_unlink, MYDEVICE_rename);

    /*-----*/
    /* Re-open stderr as a MYDEVICE file */
    /*-----*/
    if (!freopen("mydevice:stderrfile", "w", stderr))
    {
        puts("Failed to freopen stderr");
        exit(EXIT_FAILURE);
    }

    /*-----*/
    /* stderr should not be fully buffered; we want errors to be seen as */
    /* soon as possible. Normally stderr is line-buffered, but this example */
    /* doesn't buffer stderr at all. This means that there will be one call */
    /* to write() for each character in the message. */
    /*-----*/
    if (setvbuf(stderr, NULL, _IONBF, 0))
    {
        puts("Failed to setvbuf stderr");
        exit(EXIT_FAILURE);
    }

    /*-----*/
    /* Try it out! */
    /*-----*/
    printf("This goes to stdout\n");
    fprintf(stderr, "This goes to stderr\n"); }
```

NOTE: Use Unique Function Names

The function names `open`, `read`, `write`, `close`, `lseek`, `rename`, and `unlink` are used by the low-level routines. Use other names for the device-level functions that you write.

Use the low-level function `add_device()` to add your device to the `device_table`. The device table is a statically defined array that supports n devices, where n is defined by the macro `_NDEVICE` found in `stdio.h/cstdio`.

The first entry in the device table is predefined to be the host device on which the debugger is running. The low-level routine `add_device()` finds the first empty position in the device table and initializes the device fields with the passed-in arguments. For a complete description, see [the `add_device` function](#).

7.2.5 The device Prefix

A file can be opened to a user-defined device driver by using a device prefix in the pathname. The device prefix is the device name used in the call to `add_device` followed by a colon. For example:

```
FILE *fptr = fopen("mydevice:file1", "r");
int fd = open("mydevice:file2, O_RDONLY, 0);
```

If no device prefix is used, the HOST device will be used to open the file.

add_device	Add Device to Device Table				
Syntax for C	<pre>#include <file.h> int add_device(char * name, unsigned flags , int (* dopen)(const char *path, unsigned flags, int llv_fd), int (* dclose)(int dev_fd), int (* dread)(int dev_fd, char *buf, unsigned count), int (* dwrite)(int dev_fd, const char *buf, unsigned count), off_t (* dlseek)(int dev_fd, off_t ioffset, int origin), int (* dunlink)(const char * path), int (* drename)(const char *old_name, const char *new_name));</pre>				
Defined in	lowlev.c (in the lib/src subdirectory of the compiler installation)				
Description	<p>The <code>add_device</code> function adds a device record to the device table allowing that device to be used for I/O from C. The first entry in the device table is predefined to be the HOST device on which the debugger is running. The function <code>add_device()</code> finds the first empty position in the device table and initializes the fields of the structure that represent a device.</p> <p>To open a stream on a newly added device use <code>fopen()</code> with a string of the format <code>devicename : filename</code> as the first argument.</p> <ul style="list-style-type: none"> • The <i>name</i> is a character string denoting the device name. The name is limited to 8 characters. • The <i>flags</i> are device characteristics. The flags are as follows: <ul style="list-style-type: none"> <code>_SSA</code> Denotes that the device supports only one open stream at a time <code>_MSA</code> Denotes that the device supports multiple open streams More flags can be added by defining them in <code>file.h</code>. • The <i>dopen</i>, <i>dclose</i>, <i>dread</i>, <i>dwrite</i>, <i>dlseek</i>, <i>dunlink</i>, and <i>drename</i> specifiers are function pointers to the functions in the device driver that are called by the low-level functions to perform I/O on the specified device. You must declare these functions with the interface specified in Section 7.2.2. The device driver for the HOST that the PRU debugger is run on are included in the C I/O library. 				
Return Value	<p>The function returns one of the following values:</p> <table border="0"> <tr> <td style="padding-right: 20px;">0</td> <td>if successful</td> </tr> <tr> <td>-1</td> <td>on failure</td> </tr> </table>	0	if successful	-1	on failure
0	if successful				
-1	on failure				

Example

Example 7-2 does the following:

- Adds the device *mydevice* to the device table
- Opens a file named *test* on that device and associates it with the FILE pointer *fid*
- Writes the string *Hello, world* into the file
- Closes the file

Example 7-2 illustrates adding and using a device for C I/O:

Example 7-2. Program for C I/O Device

```
#include <file.h>
#include <stdio.h>
/*****
/* Declarations of the user-defined device drivers          */
*****/
extern int  MYDEVICE_open(const char *path, unsigned flags, int fno);
extern int  MYDEVICE_close(int fno);
extern int  MYDEVICE_read(int fno, char *buffer, unsigned count);
extern int  MYDEVICE_write(int fno, const char *buffer, unsigned count);
extern off_t MYDEVICE_lseek(int fno, off_t offset, int origin);
extern int  MYDEVICE_unlink(const char *path);
extern int  MYDEVICE_rename(const char *old_name, char *new_name);
main()
{
    FILE *fid;
    add_device("mydevice", _MSA, MYDEVICE_open, MYDEVICE_close, MYDEVICE_read,
              MYDEVICE_write, MYDEVICE_lseek, MYDEVICE_unlink, MYDEVICE_rename);
    fid = fopen("mydevice:test", "w");
    fprintf(fid, "Hello, world\n");

    fclose(fid);
}
```

7.3 Handling Reentrancy (_register_lock() and _register_unlock() Functions)

The C standard assumes only one thread of execution, with the only exception being extremely narrow support for signal handlers. The issue of reentrancy is avoided by not allowing you to do much of anything in a signal handler. However, SYS/BIOS applications have multiple threads which need to modify the same global program state, such as the CIO buffer, so reentrancy is a concern.

Part of the problem of reentrancy remains your responsibility, but the run-time-support environment does provide rudimentary support for multi-threaded reentrancy by providing support for critical sections. This implementation does not protect you from reentrancy issues; this remains your responsibility.

The run-time-support environment provides hooks to install critical section primitives. By default, a single-threaded model is assumed, and the critical section primitives are not employed. In a multi-threaded system such as SYS/BIOS, the kernel arranges to install semaphore lock primitive functions in these hooks, which are then called when the run-time-support enters code that needs to be protected by a critical section.

Throughout the run-time-support environment where a global state is accessed, and thus needs to be protected with a critical section, there are calls to the function `_lock()`. This calls the provided primitive, if installed, and acquires the semaphore before proceeding. Once the critical section is finished, `_unlock()` is called to release the semaphore.

Usually SYS/BIOS is responsible for creating and installing the primitives, so you do not need to take any action. However, this mechanism can be used in multi-threaded applications that do not use the SYS/BIOS locking mechanism.

You should not define the functions `_lock()` and `_unlock()` functions directly; instead, the installation functions are called to instruct the run-time-support environment to use these new primitives:

```
void _register_lock (void ( *lock)());
```

```
void _register_unlock(void (*unlock)());
```

The arguments to `_register_lock()` and `_register_unlock()` should be functions which take no arguments and return no values, and which implement some sort of global semaphore locking:

```
extern volatile sig_atomic_t *sema = SHARED_SEMAPHORE_LOCATION;
static int sema_depth = 0;
static void my_lock(void)
{
    while (ATOMIC_TEST_AND_SET(sema, MY_UNIQUE_ID) != MY_UNIQUE_ID);
    sema_depth++;
}
static void my_unlock(void)
{
    if (--sema_depth) ATOMIC_CLEAR(sema);
}
```

The run-time-support nests calls to `_lock()`, so the primitives must keep track of the nesting level.

7.4 Library-Build Process

When using the C/C++ compiler, you can compile your code under a number of different configurations and options that are not necessarily compatible with one another. Because it would be infeasible to include all possible run-time-support library variants, compiler releases pre-build only a small number of very commonly-used libraries such as `rtspru_v3_le.lib`.

To provide maximum flexibility, the run-time-support source code is provided as part of each compiler release. You can build the missing libraries as desired. The linker can also automatically build missing libraries. This is accomplished with a new library build process, the core of which is the executable `mklib`, which is available beginning with CCS 5.1.

7.4.1 Required Non-Texas Instruments Software

To use the self-contained run-time-support build process to rebuild a library with custom options, the following are required:

- `sh` (Bourne shell)
- `gmake` (GNU make 3.81 or later)

More information is available from GNU at <http://www.gnu.org/software/make>. GNU make (`gmake`) is also available in earlier versions of Code Composer Studio. GNU make is also included in some UNIX support packages for Windows, such as the MKS Toolkit, Cygwin, and Interix. The GNU make used on Windows platforms should explicitly report "This program build for Windows32" when the following is executed from the Command Prompt window:

```
gmake -h
```

All three of these programs are provided as a non-optional feature of CCS 5.1. They are also available as part of the optional XDC Tools feature if you are using an earlier version of CCS.

The `mklib` program looks for these executables in the following order:

1. in your `PATH`
2. in the directory `getenv("CCS_UTILS_DIR")/cygwin`
3. in the directory `getenv("CCS_UTILS_DIR")/bin`
4. in the directory `getenv("XDCROOT")`
5. in the directory `getenv("XDCROOT")/bin`

If you are invoking `mklib` from the command line, and these executables are not in your path, you must set the environment variable `CCS_UTILS_DIR` such that `getenv("CCS_UTILS_DIR")/bin` contains the correct programs.

7.4.2 Using the Library-Build Process

You should normally let the linker automatically rebuild libraries as needed. If necessary, you can run `mklib` directly to populate libraries. See [Section 7.4.2.2](#) for situations when you might want to do this.

7.4.2.1 Automatic Standard Library Rebuilding by the Linker

The linker looks for run-time-support libraries primarily through the `PRU_C_DIR` environment variable. Typically, one of the pathnames in `PRU_C_DIR` is *your install directory/lib*, which contains all of the pre-built libraries, as well as the index library `libc.a`. The linker looks in `PRU_C_DIR` to find a library that is the best match for the build attributes of the application. The build attributes are set indirectly according to the command-line options used to build the application. Build attributes include things like CPU revision. If the library name is explicitly specified (e.g. `-library=rtspru_v3_le.lib`), run-time support looks for that library exactly. If the library name is not specified, the linker uses the index library `libc.a` to pick an appropriate library. If the library is specified by path (e.g. `-library=/foo/rtspru_v3_le.lib`), it is assumed the library already exists and it will not be built automatically.

The index library describes a set of libraries with different build attributes. The linker will compare the build attributes for each potential library with the build attributes of the application and will pick the best fit. For details on the index library, see the archiver chapter in the *PRU Assembly Language Tools User's Guide*.

Now that the linker has decided which library to use, it checks whether the run-time-support library is present in PRU_C_DIR . The library must be in exactly the same directory as the index library libc.a. If the library is not present, the linker invokes mklib to build it. This happens when the library is missing, regardless of whether the user specified the name of the library directly or allowed the linker to pick the best library from the index library.

The mklib program builds the requested library and places it in 'lib' directory part of PRU_C_DIR in the same directory as the index library, so it is available for subsequent compilations.

Things to watch out for:

- The linker invokes **mklib** and waits for it to finish before finishing the link, so you will experience a one-time delay when an uncommonly-used library is built for the first time. Build times of 1-5 minutes have been observed. This depends on the power of the host (number of CPUs, etc).
- In a shared installation, where an installation of the compiler is shared among more than one user, it is possible that two users might cause the linker to rebuild the same library at the same time. The **mklib** program tries to minimize the race condition, but it is possible one build will corrupt the other. In a shared environment, all libraries which might be needed should be built at install time; see [Section 7.4.2.2](#) for instructions on invoking **mklib** directly to avoid this problem.
- The index library must exist, or the linker is unable to rebuild libraries automatically.
- The index library must be in a user-writable directory, or the library is not built. If the compiler installation must be installed read-only (a good practice for shared installation), any missing libraries must be built at installation time by invoking **mklib** directly.
- The **mklib** program is specific to a certain version of a certain library; you cannot use one compiler version's run-time support's **mklib** to build a different compiler version's run-time support library.

7.4.2.2 Invoking mklib Manually

You may need to invoke **mklib** directly in special circumstances:

- The compiler installation directory is read-only or shared.
- You want to build a variant of the run-time-support library that is not pre-configured in the index library **libc.a** or known to mklib. (e.g. a variant with source-level debugging turned on.)

7.4.2.2.1 Building Standard Libraries

You can invoke mklib directly to build any or all of the libraries indexed in the index library **libc.a**. The libraries are built with the standard options for that library; the library names and the appropriate standard option sets are known to mklib.

This is most easily done by changing the working directory to be the compiler run-time-support library directory 'lib' and invoking the **mklib** executable there:

```
mklib --pattern=rtspriu_v3_1e.lib
```

7.4.2.2.2 Shared or Read-Only Library Directory

If the compiler tools are to be installed in shared or read-only directory, mklib cannot build the standard libraries at link time; the libraries must be built before the library directory is made shared or read-only.

At installation time, the installing user must build all of the libraries which will be used by any user. To build all possible libraries, change the working directory to be the compiler RTS library directory 'lib' and invoke the mklib executable there:

```
mklib --all
```

Some targets have many libraries, so this step can take a long time. To build a subset of the libraries, invoke mklib individually for each desired library.

7.4.2.2.3 Building Libraries With Custom Options

You can build a library with any extra custom options desired. This is useful for building a debugging version of the library, or with silicon exception workarounds enabled. The generated library is not a standard library, and must not be placed in the 'lib' directory. It should be placed in a directory local to the project which needs it. To build a debugging version of the library, change the working directory to the 'lib' directory and run the command:

```
mklib --pattern=rtsp ru_v3_le.lib --name=rtsp ru_v3_le_debug.lib
      --install_to=$Project/Debug --extra_options="-g"
```

7.4.2.2.4 The mklib Program Option Summary

Run the following command to see the full list of options. These are described in [Table 7-1](#).

```
mklib --help
```

Table 7-1. The mklib Program Options

Option	Effect
<code>--index=filename</code>	The index library (libc.a) for this release. Used to find a template library for custom builds, and to find the source files (in the lib/src subdirectory of the compiler installation). REQUIRED.
<code>--pattern=filename</code>	Pattern for building a library. If neither <code>--extra_options</code> nor <code>--options</code> are specified, the library will be the standard library with the standard options for that library. If either <code>--extra_options</code> or <code>--options</code> are specified, the library is a custom library with custom options. REQUIRED unless <code>--all</code> is used.
<code>--all</code>	Build all standard libraries at once.
<code>--install_to=directory</code>	The directory into which to write the library. For a standard library, this defaults to the same directory as the index library (libc.a). For a custom library, this option is REQUIRED.
<code>--compiler_bin_dir=directory</code>	The directory where the compiler executables are. When invoking <code>mklib</code> directly, the executables should be in the path, but if they are not, this option must be used to tell <code>mklib</code> where they are. This option is primarily for use when <code>mklib</code> is invoked by the linker.
<code>--name=filename</code>	File name for the library with no directory part. Only useful for custom libraries.
<code>--options='str'</code>	Options to use when building the library. The default options (see below) are <i>replaced</i> by this string. If this option is used, the library will be a custom library.
<code>--extra_options='str'</code>	Options to use when building the library. The default options (see below) are also used. If this option is used, the library will be a custom library.
<code>--list_libraries</code>	List the libraries this script is capable of building and exit. ordinary system-specific directory.
<code>--log=filename</code>	Save the build log as <i>filename</i> .
<code>--tmpdir=directory</code>	Use <i>directory</i> for scratch space instead of the ordinary system-specific directory.
<code>--gmake=filename</code>	Gmake-compatible program to invoke instead of "gmake"
<code>--parallel=N</code>	Compile <i>N</i> files at once ("gmake -j <i>N</i> ").
<code>--query=filename</code>	Does this script know how to build FILENAME?
<code>--help</code> or <code>--h</code>	Display this help.
<code>--quiet</code> or <code>--q</code>	Operate silently.
<code>--verbose</code> or <code>--v</code>	Extra information to debug this executable.

Examples:

To build all standard libraries and place them in the compiler's library directory:

```
mklib --all --index=$C_DIR/lib
```

To build one standard library and place it in the compiler's library directory:

```
mklib --pattern=rtsp ru_v3_le.lib --index=$C_DIR/lib
```

To build a custom library that is just like `rtsp ru_v3_le.lib`, but has symbolic debugging support enabled:

```
mklib --pattern=rtsp ru_v3_le.lib --extra_options="-g" --index=$C_DIR/lib --
install_to=$Project/Debug
      --name=rtsp ru_v3_le_debug.lib
```

7.4.3 Extending mklib

The **mklib** API is a uniform interface that allows Code Composer Studio to build libraries without needing to know exactly what underlying mechanism is used to build it. Each library vendor (e.g. the TI compiler) provides a library-specific copy of 'mklib' in the library directory that can be invoked, which understands a standardized set of options, and understands how to build the library. This allows the linker to automatically build application-compatible versions of any vendor's library without needing to register the library in advance, as long as the vendor supports mklib.

7.4.3.1 Underlying Mechanism

The underlying mechanism can be anything the vendor desires. For the compiler run-time-support libraries, mklib is just a wrapper that knows how to use the files in the lib/src subdirectory of the compiler installation and invoke gmake with the appropriate options to build each library. If necessary, mklib can be bypassed and the Makefile used directly, but this mode of operation is not supported by TI, and you are responsible for any changes to the Makefile. The format of the Makefile and the interface between mklib and the Makefile is subject to change without notice. The mklib program is the forward-compatible path.

7.4.3.2 Libraries From Other Vendors

Any vendor who wishes to distribute a library that can be rebuilt automatically by the linker must provide:

- An index library (like 'libc.a', but with a different name)
- A copy of mklib specific to that library
- A copy of the library source code (in whatever format is convenient)

These things must be placed together in one directory that is part of the linker's library search path (specified either in PRU_C_DIR or with the linker --search_path option).

If mklib needs extra information that is not possible to pass as command-line options to the compiler, the vendor will need to provide some other means of discovering the information (such as a configuration file written by a wizard run from inside CCS).

The vendor-supplied mklib must at least accept all of the options listed in [Table 7-1](#) without error, even if they do not do anything.

C++ Name Demangler

The C++ compiler implements function overloading, operator overloading, and type-safe linking by encoding a function's prototype and namespace in its link-level name. The process of encoding the prototype into the linkname is often referred to as name mangling. When you inspect mangled names, such as in assembly files, disassembler output, or compiler or linker diagnostic messages, it can be difficult to associate a mangled name with its corresponding name in the C++ source code. The C++ name demangler is a debugging aid that translates each mangled name it detects to its original name found in the C++ source code.

These topics tell you how to invoke and use the C++ name demangler. The C++ name demangler reads in input, looking for mangled names. All unmangled text is copied to output unaltered. All mangled names are demangled before being copied to output.

Topic	Page
8.1 Invoking the C++ Name Demangler	145
8.2 C++ Name Demangler Options	145
8.3 Sample Usage of the C++ Name Demangler	145

8.1 Invoking the C++ Name Demangler

The syntax for invoking the C++ name demangler is:

```
dempru [options] [filenames]
```

dempru	Command that invokes the C++ name demangler.
<i>options</i>	Options affect how the name demangler behaves. Options can appear anywhere on the command line. (Options are discussed in Section 8.2.)
<i>filenames</i>	Text input files, such as the assembly file output by the compiler, the assembler listing file, the disassembly file, and the linker map file. If no filenames are specified on the command line, dempru uses standard input.

By default, the C++ name demangler outputs to standard output. You can use the `-o` file option if you want to output to a file.

8.2 C++ Name Demangler Options

The following options apply only to the C++ name demangler:

--debug	Prints debug messages.
--diag_wrap [=on,off]	Sets diagnostic messages to wrap at 79 columns (on, which is the default) or not (off).
--help	Prints a help screen that provides an online summary of the C++ name demangler options.
--output= <i>file</i>	Outputs to the specified file rather than to standard out.
--quiet	Reduces the number of messages generated during execution.
-u	Specifies that external names do not have a C++ prefix.
-v	Enables verbose mode (outputs a banner).

8.3 Sample Usage of the C++ Name Demangler

The examples in this section illustrate the demangling process. [Example 8-1](#) shows a sample C++ program. [Example 8-2](#) shows the resulting assembly that is output by the compiler. In this example, the linknames of all the functions are mangled; that is, their signature information is encoded into their names.

Example 8-1. C++ Code for `calories_in_a_banana`

```
class banana {
public:
    int calories(void);
    banana();
    ~banana();
};

int calories_in_a_banana(void)
{
    banana x;
    return x.calories();
}
```

Example 8-2. Resulting Assembly for `calories_in_a_banana`

```
||_Z20calories_in_a_bananav||:
```

Example 8-2. Resulting Assembly for `calories_in_a_banana` (continued)

```

SUB     r2, r2, 0x07
SBBO   &r3.b2, r2, 1, 6
ADD    r14, r2, 0
JAL    r3.w2, | | _ZN6bananaC1Ev | |
ADD    r14, r2, 0
JAL    r3.w2, | | _ZN6banana8caloriesEv | |
MOV    r4, r14
ADD    r14, r2, 0
JAL    r3.w2, | | _ZN6bananaD1Ev | |
MOV    r14, r4
LBBO   &r3.b2, r2, 1, 6
ADD    r2, r2, 0x07
JMP    r3.w2

```

Executing the C++ name demangler demangles all names that it believes to be mangled. Enter:

```
dempru calories_in_a_banana.asm
```

The result is shown in [Example 8-3](#). The linknames in [Example 8-2](#) `__ct__6bananaFv`, `_calories__6bananaFv`, and `__dt__6bananaFv` are demangled.

Example 8-3. Result After Running the C++ Name Demangler

```

| | calories_in_a_banana() | | :
;* -----*
SUB     r2, r2, 0x07
SBBO   &r3.b2, r2, 1, 6
ADD    r14, r2, 0
JAL    r3.w2, | | banana::banana() | |
ADD    r14, r2, 0
JAL    r3.w2, | | banana::calories() | |
MOV    r4, r14
ADD    r14, r2, 0
JAL    r3.w2, | | banana::~~banana() | |
MOV    r14, r4
LBBO   &r3.b2, r2, 1, 6
ADD    r2, r2, 0x07
JMP    r3.w2

```

Glossary

A.1 Terminology

absolute lister— A debugging tool that allows you to create assembler listings that contain absolute addresses.

Application Binary Interface (ABI)— A standard that specifies the interface between two object modules. An ABI specifies how functions are called and how information is passed from one program component to another.

assignment statement— A statement that initializes a variable with a value.

autoinitialization— The process of initializing global C variables (contained in the .cinit section) before program execution begins.

autoinitialization at run time— An autoinitialization method used by the linker when linking C code. The linker uses this method when you invoke it with the `--rom_model` link option. The linker loads the .cinit section of data tables into memory, and variables are initialized at run time.

alias disambiguation— A technique that determines when two pointer expressions cannot point to the same location, allowing the compiler to freely optimize such expressions.

aliasing— The ability for a single object to be accessed in more than one way, such as when two pointers point to a single object. It can disrupt optimization, because any indirect reference could refer to any other object.

allocation— A process in which the linker calculates the final memory addresses of output sections.

ANSI— American National Standards Institute; an organization that establishes standards voluntarily followed by industries.

archive library— A collection of individual files grouped into a single file by the archiver.

archiver— A software program that collects several individual files into a single file called an archive library. With the archiver, you can add, delete, extract, or replace members of the archive library.

assembler— A software program that creates a machine-language program from a source file that contains assembly language instructions, directives, and macro definitions. The assembler substitutes absolute operation codes for symbolic operation codes and absolute or relocatable addresses for symbolic addresses.

assignment statement— A statement that initializes a variable with a value.

autoinitialization— The process of initializing global C variables (contained in the .cinit section) before program execution begins.

autoinitialization at run time— An autoinitialization method used by the linker when linking C code. The linker uses this method when you invoke it with the `--rom_model` link option. The linker loads the .cinit section of data tables into memory, and variables are initialized at run time.

big endian— An addressing protocol in which bytes are numbered from left to right within a word. More significant bytes in a word have lower numbered addresses. Endian ordering is hardware-specific and is determined at reset. See also *little endian*

BIS— Bit instruction set.

- block**— A set of statements that are grouped together within braces and treated as an entity.
- .bss section**— One of the default object file sections. You use the assembler `.bss` directive to reserve a specified amount of space in the memory map that you can use later for storing data. The `.bss` section is uninitialized.
- byte**— Per ANSI/ISO C, the smallest addressable unit that can hold a character.
- C/C++ compiler**— A software program that translates C source statements into assembly language source statements.
- code generator**— A compiler tool that takes the file produced by the parser or the optimizer and produces an assembly language source file.
- command file**— A file that contains options, filenames, directives, or commands for the linker or hex conversion utility.
- comment**— A source statement (or portion of a source statement) that documents or improves readability of a source file. Comments are not compiled, assembled, or linked; they have no effect on the object file.
- compiler program**— A utility that lets you compile, assemble, and optionally link in one step. The compiler runs one or more source modules through the compiler (including the parser, optimizer, and code generator), the assembler, and the linker.
- configured memory**— Memory that the linker has specified for allocation.
- constant**— A type whose value cannot change.
- cross-reference listing**— An output file created by the assembler that lists the symbols that were defined, what line they were defined on, which lines referenced them, and their final values.
- .data section**— One of the default object file sections. The `.data` section is an initialized section that contains initialized data. You can use the `.data` directive to assemble code into the `.data` section.
- direct call**— A function call where one function calls another using the function's name.
- directives**— Special-purpose commands that control the actions and functions of a software tool (as opposed to assembly language instructions, which control the actions of a device).
- disambiguation**— See *alias disambiguation*
- dynamic memory allocation**— A technique used by several functions (such as `malloc`, `calloc`, and `realloc`) to dynamically allocate memory for variables at run time. This is accomplished by defining a large memory pool (heap) and using the functions to allocate memory from the heap.
- ELF**— Executable and Linkable Format; a system of object files configured according to the System V Application Binary Interface specification.
- emulator**— A hardware development system that duplicates the PRU operation.
- entry point**— A point in target memory where execution starts.
- environment variable**— A system symbol that you define and assign to a string. Environmental variables are often included in Windows batch files or UNIX shell scripts such as `.cshrc` or `.profile`.
- epilog**— The portion of code in a function that restores the stack and returns.
- executable object file**— A linked, executable object file that is downloaded and executed on a target system.
- expression**— A constant, a symbol, or a series of constants and symbols separated by arithmetic operators.
- external symbol**— A symbol that is used in the current program module but defined or declared in a different program module.

- file-level optimization**— A level of optimization where the compiler uses the information that it has about the entire file to optimize your code (as opposed to program-level optimization, where the compiler uses information that it has about the entire program to optimize your code).
- function inlining**— The process of inserting code for a function at the point of call. This saves the overhead of a function call and allows the optimizer to optimize the function in the context of the surrounding code.
- global symbol**— A symbol that is either defined in the current module and accessed in another, or accessed in the current module but defined in another.
- high-level language debugging**— The ability of a compiler to retain symbolic and high-level language information (such as type and function definitions) so that a debugging tool can use this information.
- indirect call**— A function call where one function calls another function by giving the address of the called function.
- initialization at load time**— An autoinitialization method used by the linker when linking C/C++ code. The linker uses this method when you invoke it with the `--ram_model` link option. This method initializes variables at load time instead of run time.
- initialized section**— A section from an object file that will be linked into an executable object file.
- input section**— A section from an object file that will be linked into an executable object file.
- integrated preprocessor**— A C/C++ preprocessor that is merged with the parser, allowing for faster compilation. Stand-alone preprocessing or preprocessed listing is also available.
- interlist feature**— A feature that inserts as comments your original C/C++ source statements into the assembly language output from the assembler. The C/C++ statements are inserted next to the equivalent assembly instructions.
- intrinsics**— Operators that are used like functions and produce assembly language code that would otherwise be inexpressible in C, or would take greater time and effort to code.
- ISO**— International Organization for Standardization; a worldwide federation of national standards bodies, which establishes international standards voluntarily followed by industries.
- K&R C**— Kernighan and Ritchie C, the de facto standard as defined in the first edition of *The C Programming Language* (K&R). Most K&R C programs written for earlier, non-ISO C compilers should correctly compile and run without modification.
- label**— A symbol that begins in column 1 of an assembler source statement and corresponds to the address of that statement. A label is the only assembler statement that can begin in column 1.
- linker**— A software program that combines object files to form an executable object file that can be allocated into system memory and executed by the device.
- listing file**— An output file, created by the assembler, which lists source statements, their line numbers, and their effects on the section program counter (SPC).
- little endian**— An addressing protocol in which bytes are numbered from right to left within a word. More significant bytes in a word have higher numbered addresses. Endian ordering is hardware-specific and is determined at reset. See also *big endian*.
- loader**— A device that places an executable object file into system memory.
- loop unrolling**— An optimization that expands small loops so that each iteration of the loop appears in your code. Although loop unrolling increases code size, it can improve the performance of your code.
- macro**— A user-defined routine that can be used as an instruction.
- macro call**— The process of invoking a macro.

- macro definition**— A block of source statements that define the name and the code that make up a macro.
- macro expansion**— The process of inserting source statements into your code in place of a macro call.
- map file**— An output file, created by the linker, which shows the memory configuration, section composition, section allocation, symbol definitions and the addresses at which the symbols were defined for your program.
- memory map**— A map of target system memory space that is partitioned into functional blocks.
- name mangling**— A compiler-specific feature that encodes a function name with information regarding the function's arguments return types.
- object file**— An assembled or linked file that contains machine-language object code.
- object library**— An archive library made up of individual object files.
- operand**— An argument of an assembly language instruction, assembler directive, or macro directive that supplies information to the operation performed by the instruction or directive.
- optimizer**— A software tool that improves the execution speed and reduces the size of C programs.
- options**— Command-line parameters that allow you to request additional or specific functions when you invoke a software tool.
- output section**— A final, allocated section in a linked, executable module.
- parser**— A software tool that reads the source file, performs preprocessing functions, checks the syntax, and produces an intermediate file used as input for the optimizer or code generator.
- partitioning**— The process of assigning a data path to each instruction.
- pop**— An operation that retrieves a data object from a stack.
- pragma**— A preprocessor directive that provides directions to the compiler about how to treat a particular statement.
- preprocessor**— A software tool that interprets macro definitions, expands macros, interprets header files, interprets conditional compilation, and acts upon preprocessor directives.
- program-level optimization**— An aggressive level of optimization where all of the source files are compiled into one intermediate file. Because the compiler can see the entire program, several optimizations are performed with program-level optimization that are rarely applied during file-level optimization.
- prolog**— The portion of code in a function that sets up the stack.
- push**— An operation that places a data object on a stack for temporary storage.
- quiet run**— An option that suppresses the normal banner and the progress information.
- raw data**— Executable code or initialized data in an output section.
- relocation**— A process in which the linker adjusts all the references to a symbol when the symbol's address changes.
- run-time environment**— The run time parameters in which your program must function. These parameters are defined by the memory and register conventions, stack organization, function call conventions, and system initialization.
- run-time-support functions**— Standard ISO functions that perform tasks that are not part of the C language (such as memory allocation, string conversion, and string searches).
- run-time-support library**— A library file, `rts.src`, which contains the source for the run time-support functions.

- section**— A relocatable block of code or data that ultimately will be contiguous with other sections in the memory map.
- sign extend**— A process that fills the unused MSBs of a value with the value's sign bit.
- source file**— A file that contains C/C++ code or assembly language code that is compiled or assembled to form an object file.
- stand-alone preprocessor**— A software tool that expands macros, #include files, and conditional compilation as an independent program. It also performs integrated preprocessing, which includes parsing of instructions.
- static variable**— A variable whose scope is confined to a function or a program. The values of static variables are not discarded when the function or program is exited; their previous value is resumed when the function or program is reentered.
- storage class**— An entry in the symbol table that indicates how to access a symbol.
- string table**— A table that stores symbol names that are longer than eight characters (symbol names of eight characters or longer cannot be stored in the symbol table; instead they are stored in the string table). The name portion of the symbol's entry points to the location of the string in the string table.
- structure**— A collection of one or more variables grouped together under a single name.
- subsection**— A relocatable block of code or data that ultimately will occupy continuous space in the memory map. Subsections are smaller sections within larger sections. Subsections give you tighter control of the memory map.
- symbol**— A string of alphanumeric characters that represents an address or a value.
- symbolic debugging**— The ability of a software tool to retain symbolic information that can be used by a debugging tool such as an emulator.
- target system**— The system on which the object code you have developed is executed.
- .text section**— One of the default object file sections. The .text section is initialized and contains executable code. You can use the .text directive to assemble code into the .text section.
- trigraph sequence**— A 3-character sequence that has a meaning (as defined by the ISO 646-1983 Invariant Code Set). These characters cannot be represented in the C character set and are expanded to one character. For example, the trigraph '??' is expanded to '^'.
- trip count**— The number of times that a loop executes before it terminates.
- unconfigured memory**— Memory that is not defined as part of the memory map and cannot be loaded with code or data.
- uninitialized section**— A object file section that reserves space in the memory map but that has no actual contents. These sections are built with the .bss and .usect directives.
- unsigned value**— A value that is treated as a nonnegative number, regardless of its actual sign.
- variable**— A symbol representing a quantity that can assume any of a set of values.
- word**— A 32-bit addressable location in target memory

Revision History

B.1 Recent Revisions

Table B-1 lists significant changes made to this document. The left column identifies the first version of this document in which that particular change appeared.

Table B-1. Revision History

Version Added	Chapter	Location	Additions / Modifications / Deletions
SPRUHV7C	Using the Compiler	Section 2.3.1	Added the <code>--ecc=on</code> linker option, which enables ECC generation. Note that ECC generation is now off by default.
SPRUHV7C	Using the Compiler	Section 2.3.4	Added <code>--silicon_version=4</code> support.
SPRUHV7C	Using the Compiler, C/C++ Language	Section 2.11 and Section 5.9	Revised the section on inline function expansion and its subsections to include new pragmas and changes to the compilers decision-making about what functions to inline. The <code>FORCEINLINE</code> , <code>FORCEINLINE_RECURSIVE</code> , and <code>NOINLINE</code> pragmas have been added.
SPRUHV7C	C/C++ Language	Section 5.2	Removed several C++ features from the exception list because they have been supported for several releases.
SPRUHV7C	C/C++ Language	Section 5.14.2 and Section 5.14.3	Added "retain" as a function attribute and variable attribute.
SPRUHV7C	C/C++ Language	Section 5.14.5	Removed some unsupported built-in functions.
SPRUHV7C	Run-Time Environment	Section 6.4.1.1	24-bit structures are also passed in registers.
Previous Revisions:			
SPRUHV7B	Using the Compiler	Section 2.3 and Section 4.2.1	The <code>--gen_data_subsections</code> option has been added.
SPRUHV7B	C/C++ Language	Section 5.9.1	A <code>CALLS</code> pragma has been added to specify a set of functions that can be called indirectly from a specified calling function. Using this pragma allows such indirect calls to be included in the calculation of a functions' inclusive stack size.
SPRUHV7A	Using the Compiler	Section 2.6	Added section on techniques for passing arguments to <code>main()</code> .
SPRUHV7A	C/C++ Language	Section 5.14.2	The GCC alias function attribute is now supported.
SPRUHV7A	C/C++ Language	Section 5.9.6	Added the <code>diag_push</code> and <code>diag_pop</code> diagnostic message pragmas.
SPRUHV7A	C/C++ Language	Section 5.9.9 , Section 5.9.10 , and Section 5.9.15	Added the <code>FUNC_ALWAYS_INLINE</code> , <code>FUNC_CANNOT_INLINE</code> , <code>NOINIT</code> , and <code>PERSISTENT</code> pragmas.
SPRUHV7A	Run-Time Environment	Section 6.5	Added reference to section on accessing linker symbols in C and C++ in the <i>Assembly Language Tools User's Guide</i> .

IMPORTANT NOTICE FOR TI DESIGN INFORMATION AND RESOURCES

Texas Instruments Incorporated ("TI") technical, application or other design advice, services or information, including, but not limited to, reference designs and materials relating to evaluation modules, (collectively, "TI Resources") are intended to assist designers who are developing applications that incorporate TI products; by downloading, accessing or using any particular TI Resource in any way, you (individually or, if you are acting on behalf of a company, your company) agree to use it solely for this purpose and subject to the terms of this Notice.

TI's provision of TI Resources does not expand or otherwise alter TI's applicable published warranties or warranty disclaimers for TI products, and no additional obligations or liabilities arise from TI providing such TI Resources. TI reserves the right to make corrections, enhancements, improvements and other changes to its TI Resources.

You understand and agree that you remain responsible for using your independent analysis, evaluation and judgment in designing your applications and that you have full and exclusive responsibility to assure the safety of your applications and compliance of your applications (and of all TI products used in or for your applications) with all applicable regulations, laws and other applicable requirements. You represent that, with respect to your applications, you have all the necessary expertise to create and implement safeguards that (1) anticipate dangerous consequences of failures, (2) monitor failures and their consequences, and (3) lessen the likelihood of failures that might cause harm and take appropriate actions. You agree that prior to using or distributing any applications that include TI products, you will thoroughly test such applications and the functionality of such TI products as used in such applications. TI has not conducted any testing other than that specifically described in the published documentation for a particular TI Resource.

You are authorized to use, copy and modify any individual TI Resource only in connection with the development of applications that include the TI product(s) identified in such TI Resource. NO OTHER LICENSE, EXPRESS OR IMPLIED, BY ESTOPPEL OR OTHERWISE TO ANY OTHER TI INTELLECTUAL PROPERTY RIGHT, AND NO LICENSE TO ANY TECHNOLOGY OR INTELLECTUAL PROPERTY RIGHT OF TI OR ANY THIRD PARTY IS GRANTED HEREIN, including but not limited to any patent right, copyright, mask work right, or other intellectual property right relating to any combination, machine, or process in which TI products or services are used. Information regarding or referencing third-party products or services does not constitute a license to use such products or services, or a warranty or endorsement thereof. Use of TI Resources may require a license from a third party under the patents or other intellectual property of the third party, or a license from TI under the patents or other intellectual property of TI.

TI RESOURCES ARE PROVIDED "AS IS" AND WITH ALL FAULTS. TI DISCLAIMS ALL OTHER WARRANTIES OR REPRESENTATIONS, EXPRESS OR IMPLIED, REGARDING TI RESOURCES OR USE THEREOF, INCLUDING BUT NOT LIMITED TO ACCURACY OR COMPLETENESS, TITLE, ANY EPIDEMIC FAILURE WARRANTY AND ANY IMPLIED WARRANTIES OF MERCHANTABILITY, FITNESS FOR A PARTICULAR PURPOSE, AND NON-INFRINGEMENT OF ANY THIRD PARTY INTELLECTUAL PROPERTY RIGHTS.

TI SHALL NOT BE LIABLE FOR AND SHALL NOT DEFEND OR INDEMNIFY YOU AGAINST ANY CLAIM, INCLUDING BUT NOT LIMITED TO ANY INFRINGEMENT CLAIM THAT RELATES TO OR IS BASED ON ANY COMBINATION OF PRODUCTS EVEN IF DESCRIBED IN TI RESOURCES OR OTHERWISE. IN NO EVENT SHALL TI BE LIABLE FOR ANY ACTUAL, DIRECT, SPECIAL, COLLATERAL, INDIRECT, PUNITIVE, INCIDENTAL, CONSEQUENTIAL OR EXEMPLARY DAMAGES IN CONNECTION WITH OR ARISING OUT OF TI RESOURCES OR USE THEREOF, AND REGARDLESS OF WHETHER TI HAS BEEN ADVISED OF THE POSSIBILITY OF SUCH DAMAGES.

You agree to fully indemnify TI and its representatives against any damages, costs, losses, and/or liabilities arising out of your non-compliance with the terms and provisions of this Notice.

This Notice applies to TI Resources. Additional terms apply to the use and purchase of certain types of materials, TI products and services. These include; without limitation, TI's standard terms for semiconductor products (<http://www.ti.com/sc/docs/stdterms.htm>), [evaluation modules](#), and [samples](http://www.ti.com/sc/docs/sampterm.htm) (<http://www.ti.com/sc/docs/sampterm.htm>).

Mailing Address: Texas Instruments, Post Office Box 655303, Dallas, Texas 75265
Copyright © 2018, Texas Instruments Incorporated