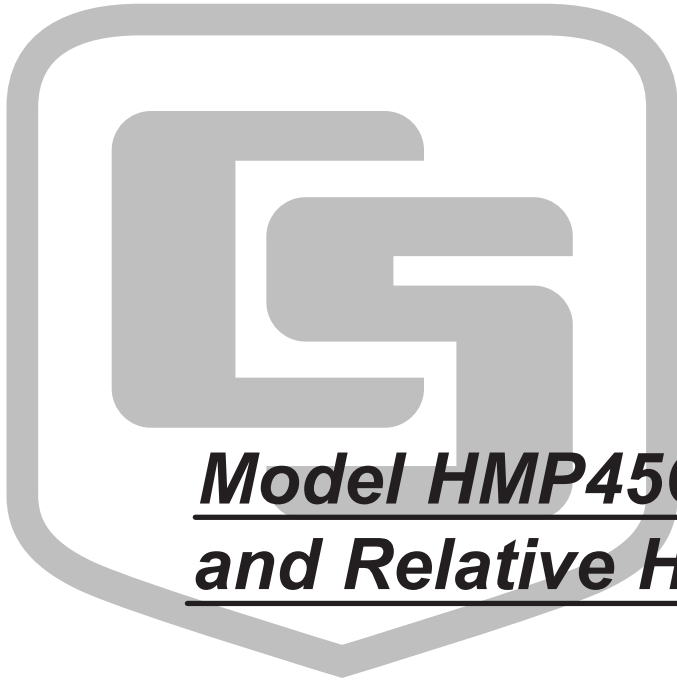


INSTRUCTION MANUAL



Model HMP45C Temperature and Relative Humidity Probe

Revision: 8/04

Copyright (c) 1990-2004
Campbell Scientific, Inc.

Warranty and Assistance

The **MODEL HMP45C TEMPERATURE AND RELATIVE HUMIDITY PROBE** is warranted by CAMPBELL SCIENTIFIC, INC. to be free from defects in materials and workmanship under normal use and service for twelve (12) months from date of shipment unless specified otherwise. Batteries have no warranty. CAMPBELL SCIENTIFIC, INC.'s obligation under this warranty is limited to repairing or replacing (at CAMPBELL SCIENTIFIC, INC.'s option) defective products. The customer shall assume all costs of removing, reinstalling, and shipping defective products to CAMPBELL SCIENTIFIC, INC. CAMPBELL SCIENTIFIC, INC. will return such products by surface carrier prepaid. This warranty shall not apply to any CAMPBELL SCIENTIFIC, INC. products which have been subjected to modification, misuse, neglect, accidents of nature, or shipping damage. This warranty is in lieu of all other warranties, expressed or implied, including warranties of merchantability or fitness for a particular purpose. CAMPBELL SCIENTIFIC, INC. is not liable for special, indirect, incidental, or consequential damages.

Products may not be returned without prior authorization. The following contact information is for US and International customers residing in countries served by Campbell Scientific, Inc. directly. Affiliate companies handle repairs for customers within their territories. Please visit www.campbellsci.com to determine which Campbell Scientific company serves your country. To obtain a Returned Materials Authorization (RMA), contact CAMPBELL SCIENTIFIC, INC., phone (435) 753-2342. After an applications engineer determines the nature of the problem, an RMA number will be issued. Please write this number clearly on the outside of the shipping container. CAMPBELL SCIENTIFIC's shipping address is:

CAMPBELL SCIENTIFIC, INC.

RMA# _____

815 West 1800 North

Logan, Utah 84321-1784

CAMPBELL SCIENTIFIC, INC. does not accept collect calls.

HMP45C Table of Contents

PDF viewers note: These page numbers refer to the printed version of this document. Use the Adobe Acrobat® bookmarks tab for links to specific sections.

1. General Description	1
2. Sensor Specifications	1
2.1 Temperature Sensor	2
2.2 Relative Humidity Sensor	2
3. Installation	2
4. Wiring	3
5. Example Programs	5
6. Long Lead Lengths	8
7. Absolute Humidity	11
8. Maintenance	14
9. References	14

Appendix

A. Wiring for Older HMP45C Probes	A-1
--	-----

Figures

1. HMP45C and 41003 Radiation Shield on a CM6/CM10 Tripod Mast or UT10 Tower Leg	3
2. HMP45C with UT018 Mounting Bracket and Crossarm and UT12VA Radiation Shield Mounted on a UT30 Tower Leg.....	3
3. HMP45C Probe to Datalogger Connections	4
A-1. HMP45C Probe to Datalogger Connections	A-1

Tables

1. Connections for Single-Ended Measurements.....	4
2. Connections for Differential Measurements.....	5
3. Power Connections using SW12V Peripherals	5
4. Calibration for Temperature.....	6
5. Calibration for Relative Humidity.....	6
6. Wiring for Single-ended Measurement Examples.....	6
7. Wiring for Differential Measurement Examples	9
8. Wiring for Vapor Pressure Examples.....	11
9. Chemical Tolerances of HMP45C	12
A-1. Connections for Single-Ended Measurements for Old Wiring Configuration	A-1
A-2. Connections for Differential Measurements for Old Wiring Configurations.....	A-1

Model HMP45C Temperature and Relative Humidity Probe

1. General Description

The HMP45C Temperature and Relative Humidity probe contains a Platinum Resistance Temperature detector (PRT) and a Vaisala HUMICAP® 180 capacitive relative humidity sensor.

The -L option on the model HMP45C Temperature and Relative Humidity probe (HMP45C-L) indicates that the cable length is user specified. This manual refers to the sensor as the HMP45C.

The HMP45C can be powered continuously or the power may be switched to conserve battery life. The HMP45C consumes less than 4 milliamperes current at 12 volts. Approximately 0.15 seconds is required for the sensor to warm up after power is switched on. At measurement rates slower than once per second, the overall power consumption (datalogger and sensors) may be reduced by switching power to the HMP45C. Most current Campbell Scientific dataloggers have a built-in switched 12 volts that can be used to control power.

The CR9000, CR510, CR500, CR7, CR10 and 21X dataloggers do not have a built-in switched 12 volts. Users with these dataloggers can power the sensor continuously or purchase the model SW12V to switch power.

NOTE

Prior to April 2004, the HMP45C included a power switching circuit in the cable. The in-cable switching circuit was discontinued because in most cases it is no longer necessary and it made the cable difficult to route through the entry port on environmental enclosures.

2. Specifications

Operating Temperature: -40°C to +60°C

Storage Temperature: -40°C to +80°C

Probe Length: 25.4 cm (10 in.)

Probe Body Diameter: 2.5 cm (1 in.)

Filter: 0.2 µm Teflon membrane

Filter Diameter: 1.9 cm (0.75 in.)

Power Consumption: <4 mA @ 12 V

Supply Voltage: 7 to 35 VDC

Settling Time: 0.15 seconds

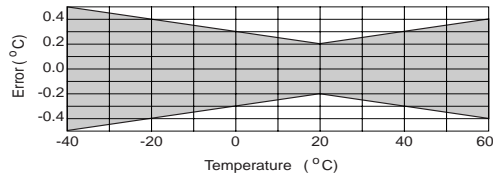
2.1 Temperature Sensor

Sensor: 1000 Ω PRT, IEC 751 1/3 Class B

Temperature Measurement Range: -40°C to +60°C

Temperature Output Signal range: 0.008 to 1.0 V

Temperature Accuracy:



2.2 Relative Humidity Sensor

Sensor: HUMICAP[®] 180

Relative Humidity Measurement Range: 0 to 100% non-condensing

RH Output Signal Range: 0.008 to 1 VDC

Accuracy at 20°C

±2% RH (0 to 90% Relative Humidity)

±3% RH (90 to 100% Relative Humidity)

Temperature Dependence of Relative Humidity Measurement: ±0.05% RH/°C

Typical Long Term Stability: Better than 1% RH per year

Response Time (at 20°C, 90% response): 15 seconds with membrane filter

3. Installation

The HMP45C must be housed inside a radiation shield when used in the field. The 41003 Radiation Shield (Figure 1) mounts to a CM6/CM10 tripod or UT10 tower. The UT018 mounting arm and UT12VA Radiation Shield mount to a UT30 tower (Figure 2).

A lead length of 6 feet allows the HMP45C to be mounted at a 2 meter height on a CM6/CM10 tripod. Use a lead length of 9 feet for the UT10/UT20/UT30 tower.

NOTE

The black outer jacket of the cable is Santoprene[®] rubber. This compound was chosen for its resistance to temperature extremes, moisture, and UV degradation. However, this jacket will support combustion in air. It is rated as slow burning when tested according to U.L. 94 H.B. and will pass FMVSS302. Local fire codes may preclude its use inside buildings.

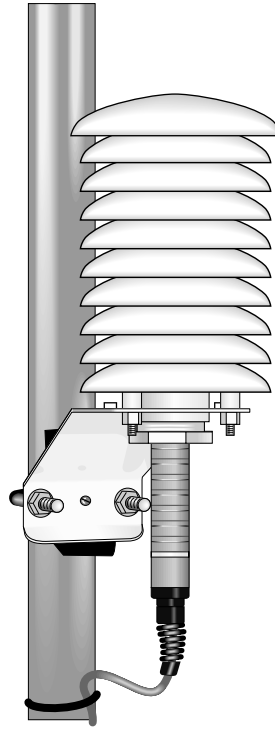


FIGURE 1. HMP45C and 41003 Radiation Shield on a CM6/CM10 Tripod Mast or UT10 Tower Leg

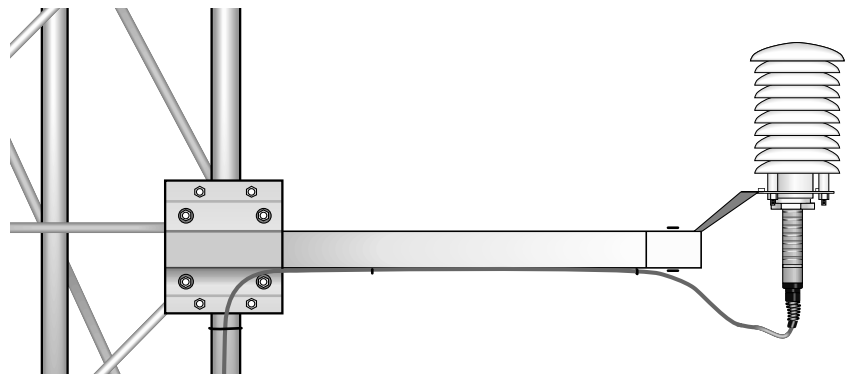


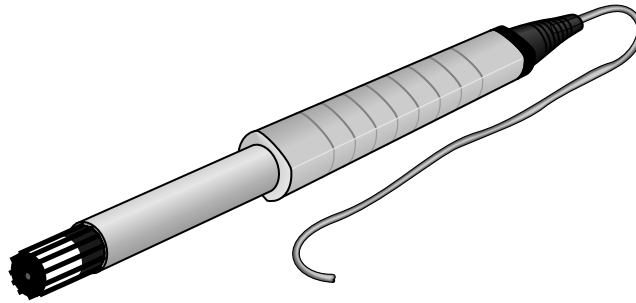
FIGURE 2. HMP45C with UT018 Mounting Bracket and Crossarm and UT12VA Radiation Shield Mounted on a UT30 Tower Leg

4. Wiring

Connections to Campbell Scientific dataloggers are given in Tables 1 through 3. The probe can be measured by two single-ended or differential analog input channels.

CAUTION

When measuring the HMP45C with single-ended measurements, the purple or white and black leads must both be connected to AG on the CR10(X) and CR500/CR510 or to \ominus on the CR1000, CR5000, and CR23X. Doing otherwise will connect the datalogger's analog and power ground planes to each other, which in some cases can cause offsets on low-level analog measurements.



Description	Color
Temperature Signal	Yellow
Relative Humidity Signal	Blue
Signal Reference	White
Power	Red
Power Ground	Black
Shield	Shield

FIGURE 3. HMP45C Probe to Datalogger Connections

TABLE 1. Connections for Single-Ended Measurements

Sensor Connection	Color	CR10(X)	CR1000, CR5000, CR23X	CR10, CR510, CR500	21X, CR7
Temperature Signal	Yellow	Single-Ended Input	Single-Ended Input	Single-Ended Input	Single-Ended Input
Relative Humidity Signal	Blue	Single-Ended Input	Single-Ended Input	Single-Ended Input	Single-Ended Input
Signal Reference	White	AG	\ominus	AG	\ominus
Power Ground	Black	G	G	G	\ominus
Shield	Shield	G	G	G	\ominus
Power Continuous/Switched	Red	12V/SW12V	12V/SW12V	12V/SW12V*	12V/SW12V*
CR10X Power Control if using SW12V channel on datalogger		Jumper from SW12V Control to Control Port			

*On these dataloggers switched power is only available with the SW12V peripheral.

TABLE 2. Connections for Differential Measurements

Sensor Connection	Color	CR10(X)	CR1000, CR5000, CR23X	CR10, CR510, CR500	21X, CR7
Temperature Signal	Yellow	Differential Input – H	Differential Input – H	Differential Input – H	Differential Input – H
Temperature Signal Reference	Jumper to White	Differential Input – L	Differential Input – L	Differential Input – L	Differential Input – L
Relative Humidity Signal	Blue	Differential Input – H	Differential Input – H	Differential Input – H	Differential Input – H
Signal Reference	White	Differential Input – L	Differential Input – L	Differential Input – L	Differential Input – L
Power Ground	Black	G	G	G	⏏
Shield	Shield	G	G	G	⏏
Power Continuous/Switched	Red	12V/SW12V	12V/SW12V	12V/SW12V*	12V/SW12V*
CR10X Power Control if using SW12V channel on datalogger		Jumper from SW12V Control to Control Port			

*On these dataloggers switched power is only available with the SW12V peripheral.

TABLE 3. Power Connections using SW12V Peripherals

HMP45C		SW12V Peripheral		Datalogger
Description	Color	Terminal	Wire	
Power	Red	SW12V	Red	12 V
Power Ground	Black	GND	Black	G
			Green	Control Port

5. Example Programs

This section is for users who write their own datalogger programs. A datalogger program to measure this sensor can be created using Campbell Scientific’s Short Cut Program Builder software. You do not need to read this section to use Short Cut.

The temperature and relative humidity signals from the HMP45C can be measured using a single-ended analog measurement or a differential analog measurement.

Use a single-ended analog measurement when the HMP45C signal lead length is less than 6.1 m (20 ft.) or if the probe will be turned on and off under datalogger control between measurements. For lead lengths greater than 6.1 m (20 ft.) or when the probe will be continuously powered, use a differential analog measurement. For a discussion on errors caused by long lead lengths see Section 6.

The HMP45C output scale is 0 to 1000 millivolts for the temperature range of -40°C to +60°C and for the relative humidity range of 0 to 100%. Tables 4 and 5 provide calibration information for temperature and relative humidity.

TABLE 4. Calibration for Temperature

Units	Multiplier (degrees mV ⁻¹)	Offset (degrees)
Celsius	0.1	-40
Fahrenheit	0.18	-40

TABLE 5. Calibration for Relative Humidity

Units	Multiplier (% mV ⁻¹)	Offset (%)
Percent	0.1	0
Fraction	0.001	0

TABLE 6. Wiring for Single-ended Measurement Examples

Description	Color	CR1000	CR10(X)
Temperature	Yellow	SE 2 (1L)	SE 3 (2H)
Relative Humidity	Blue	SE 1 (1H)	SE 4 (2L)
Signal Reference	White	⊕	AG
Jumper from SW12V Control			C1
Power	Red	SW12V	SW12 V
Power Ground	Black	⊕	AG
Shield	Clear	⊕	G

CR1000 Program using Single-Ended Measurement Instructions Using SW12V on Datalogger

```
'CR1000 program to measure HMP45C with single-ended measurements

Public AirTC
Public RH

DataTable(Temp_RH,True,-1)
    DataInterval(0,60,Min,0)
    Average(1,AirTC,IIEEE4,0)
    Sample(1,RH,IIEEE4)
EndTable

BeginProg
    Scan(1,Sec,1,0)
        'HMP45C Temperature & Relative Humidity Sensor measurements AirTC and RH:
        SW12 (1 )
        Delay(0,150,mSec)
        VoltSE(AirTC,1,mV2500,2,0,0,_60Hz,0.1,-40.0)
        VoltSE(RH,1,mV2500,1,0,0,_60Hz,0.1,0)
        SW12 (0)
        If RH>100 And RH<108 Then RH=100
        CallTable(Temp_RH)
    NextScan
EndProg
```

CR10(X) Program using Single-Ended Measurement Instructions Using SW12V on Datalogger

```
;Turn the HMP45C on.
;
01: Do (P86)
    1: 41          Set Port 1 High                ;Jumper wire from SW12V control to C1
                                                ;Orange wire (C1) if older wiring
                                                ;Green wire (C1) if using SW12V device
                                                ;For CR23X or CR5000 use 49 for SW12V internal
                                                ;control port

;Pause 150 mSec before making measurements so the
;probe can stabilize on true readings.
;
02: Excitation with Delay (P22)
    1: 1          Ex Channel
    2: 0          Delay W/Ex (units = 0.01 sec)
    3: 15         Delay After Ex (units = 0.01 sec)
    4: 0          mV Excitation
```

```

;Measure the HMP45C temperature.
;
03: Volt (SE) (P1)
  1: 1      Reps
  2: 5      2500 mV Slow Range      ;CR510, CR500 (2500mv); CR23X (1000 mV);
                                       21X, CR7 (5000 mV)
  3: 3      SE Channel              ;Yellow wire (SE 3), white or purple wire (AG)
  4: 1      Loc [ T_C      ]
  5: .1     Mult                    ;See Table 4 for alternative multipliers
  6: -40    Offset                  ;See Table 4 for alternative offsets

;Measure the HMP45C relative humidity.
;
04: Volt (SE) (P1)
  1: 1      Reps
  2: 5      2500 mV Slow Range      ;CR510, CR500 (2500 mV); CR23X (1000 mV);
                                       21X, CR7 (5000 mV)
  3: 4      SE Channel              ;Blue wire (SE 4), white or purple wire (AG)
  4: 2      Loc [ RH_pct  ]
  5: .1     Mult                    ;See Table 5 for alternative multipliers
  6: 0      Offset

;Turn the HMP45C off.
;
05: Do (P86)
  1: 51     Set Port 1 Low          ;Jumper wire from SW12V control to C1
                                       ;Orange wire (C1) if older wiring
                                       ;Green wire (C1) if using SW12V device
                                       ;For CR23X or CR5000 use 59 for SW12V internal
                                       ;control port

```

6. Long Lead Lengths

This section describes the error associated with measuring the HMP45C with a single-ended measurement if the probe has a long cable. To avoid these problems, CSI recommends measuring the HMP45C using a differential analog measurement (Instruction 2) when long lead lengths are required. Generic datalogger connections for measuring the HMP45C using a differential measurement are given in Table A-2.

Understanding the details in this section are not required for the general operation of the HMP45C with Campbell Scientific's dataloggers.

The signal reference (white or purple) and the power ground (black) are in common inside the HMP45C. When the HMP45C temperature and relative humidity are measured using a single-ended analog measurement, both the signal reference and power ground are connected to ground at the datalogger. The signal reference and power ground both serve as the return path for 12 V. There will be a voltage drop along those leads because the wire itself has resistance. The HMP45C draws approximately 4 mA when it is powered. The wire used in the HMP45C (P/N 9721) has resistance of 27.7 Ω/1000 feet. Since the signal reference and the power ground are both connected to ground at the datalogger, the effective resistance of those wires together is half of 27.7

$\Omega/1000$ feet, or $13.9 \Omega/1000$ feet. Using Ohm's law, the voltage drop (V_d), along the signal reference/power ground, is given by Eq. (1).

$$\begin{aligned}
 V_d &= I * R \\
 &= 4 \text{ mA} * 13.9 \Omega / 1000 \text{ ft} \\
 &= 55.6 \text{ mV} / 1000 \text{ ft}
 \end{aligned}
 \tag{1}$$

This voltage drop will raise the apparent temperature and relative humidity because the difference between the signal and signal reference lead, at the datalogger, has increased by V_d . The approximate error in temperature and relative humidity is 0.56°C and 0.56% per 100 feet of cable length, respectively.

TABLE 7. Wiring for Differential Measurement Examples

Description	Color	CR10(X)	CR1000
Temperature	Yellow	3H	3H
Jumper to 4L		3L	2L
Relative Humidity	Blue	4H	1H
Signal Reference	White	4L	1L
Jumper from SW12V Control		C1	
Power	Red	SW12 V	SW12 V
Power Ground	Black	G	G
Shield	Clear	G	\oplus

CR1000 Program using Differential Measurement Instructions Using SW12V on Datalogger

```

'CR1000 program to measure HMP45C with differential measurements

Public AirTC
Public RH

DataTable(Temp_RH,True,-1)
  DataInterval(0,60,Min,0)
  Average(1,AirTC,IEEE4,0)
  Sample(1,RH,IEEE4)
EndTable

BeginProg
  Scan(1,Sec,1,0)
  'HMP45C Temperature & Relative Humidity Sensor measurements AirTC and RH:
  SW12 (1 )
  Delay(0,150,mSec)
  VoltDiff (AirTC,1,mV2500,2,True,0,_60Hz,0.1,-40)
  VoltDiff (RH,1,mV2500,1,True,0,_60Hz,0.1,0)
  SW12 (0)
  If RH>100 And RH<108 Then RH=100
  CallTable(Temp_RH)
  NextScan
EndProg
    
```

CR10(X) Program using Differential Measurement Instructions Using SW12V on Datalogger

```

;Turn the HMP45C on.
;
01: Do (P86)
  1: 41          Set Port 1 High          ;Jumper wire from SW12V control to C1
                                           ;Orange wire (C1) if older wiring
                                           ;Green wire (C1) if using SW12V device
                                           ;For CR23X or CR5000 use 49 for SW12V internal
                                           ;control port

;Pause 150 mSec before making measurements so the
;probe can stabilize on true readings.
;
02: Excitation with Delay (P22)
  1: 1          Ex Channel
  2: 0          Delay W/Ex (units = 0.01 sec)
  3: 15         Delay After Ex (units = 0.01 sec)
  4: 0          mV Excitation

;Measure the HMP45C temperature.
;
03: Volt (Diff) (P2)
  1: 1          Reps
  2: 5          2500 mV Slow Range      ;CR510, CR500 (2500mv); CR23X (1000 mV);
                                           21X, CR7 (5000 mV)
  3: 3          DIFF Channel           ;Yellow wire (3H), jumper (3L to 4L)
  4: 1          Loc [ T_C      ]
  5: .1         Mult                   ;See Table 4 for alternative multipliers
  6: -40        Offset                 ;See Table 4 for alternative offsets

;Measure the HMP45C relative humidity.
;
04: Volt (Diff) (P2)
  1: 1          Reps
  2: 5          2500 mV Slow Range      ;CR510, CR500 (2500mv); CR23X (1000 mV);
                                           21X, CR7 (5000 mV)
  3: 4          DIFF Channel           ;Blue wire (4H), white or purple wire (4L)
  4: 2          Loc [ RH_pct  ]
  5: .1         Mult                   ;See Table 5 for alternative multipliers
  6: 0          Offset

;Turn the HMP45C off.
;
05: Do (P86)
  1: 51          Set Port 1 Low         ;Jumper wire from SW12V control to C1
                                           ;Orange wire (C1) if older wiring
                                           ;Green wire (C1) if using SW12V device
                                           ;For CR23X or CR5000 use 59 for SW12V internal
                                           ;control port

```

7. Absolute Humidity

The HMP45C measures the relative humidity. Relative humidity is defined by the equation below:

$$RH = \frac{e}{e_s} * 100 \quad (2)$$

where RH is the relative humidity, e is the vapor pressure in kPa, and e_s is the saturation vapor pressure in kPa. The vapor pressure, e, is an absolute measure of the amount of water vapor in the air and is related to the dew point temperature. The saturation vapor pressure is the maximum amount of water vapor that air can hold at a given air temperature. The relationship between dew point and vapor pressure, and air temperature and saturation vapor pressure are given by Goff and Gratch (1946), Lowe (1977), and Weiss (1977).

When the air temperature increases, so does the saturation vapor pressure. Conversely, a decrease in air temperature causes a corresponding decrease in saturation vapor pressure. It follows then from Eq. (2) that a change in air temperature will change the relative humidity, without causing a change absolute humidity.

For example, for an air temperature of 20°C and a vapor pressure of 1.17 kPa, the saturation vapor pressure is 2.34 kPa and the relative humidity is 50%. If the air temperature is increased by 5°C and no moisture is added or removed from the air, the saturation vapor pressure increases to 3.17 kPa and the relative humidity decreases to 36.9%. After the increase in air temperature, the air can hold more water vapor. However, the actual amount of water vapor in the air has not changed. Thus, the amount of water vapor in the air, relative to saturation, has decreased.

Because of the inverse relationship between relative humidity and air temperature, finding the mean relative humidity is meaningless. A more useful quantity is the mean vapor pressure. The mean vapor pressure can be computed on-line by the datalogger (Example 3).

TABLE 8. Wiring for Vapor Pressure Examples

Description	Color	CR1000	CR10(X)
Temperature	Yellow	SE 2 (1L)	SE 3 (2H)
Relative Humidity	Blue	SE 1 (1H)	SE 4 (2L)
Signal Reference	White	⊕	AG
Jumper from SW12V Control			C1
Power	Red	SW12V	SW12 V
Power Ground	Black	⊕	AG
Shield	Clear	⊕	G

CR1000 Program that Computes Vapor Pressure and Saturation Vapor Pressure

```
'CR1000 program that calculates Vapor Pressure

Public AirTC
Public RH
Public RH_Frac, e_Sat, e_kPa

DataTable(Temp_RH,True,-1)
  DataInterval(0,60,Min,0)
  Average(1,AirTC,IIEEE4,0)
  Sample(1,RH,IIEEE4)
  Sample(1,e_kPa,IIEEE4)
EndTable

BeginProg
  Scan(1,Sec,1,0)
    'HMP45C Temperature & Relative Humidity Sensor measurements AirTC and RH:
    SW12 (1 )
    Delay(0,150,mSec)
    VoltSE(AirTC,1,mV2500,2,0,0,_60Hz,0.1,-40.0)
    VoltSE(RH,1,mV2500,1,0,0,_60Hz,0.1,0)
    SW12 (0)
    If RH>100 And RH<108 Then RH=100
    'Calculate Vapor Pressure
    'Convert RH percent to RH Fraction
    RH_Frac = RH * 0.01
    'Calculate Saturation Vapor Pressure
    SatVP(e_Sat, AirTC)
    'Compute Vapor Pressure, RH must be a fraction
    e_kPa = e_Sat * RH_Frac
    CallTable(Temp_RH)
  NextScan
EndProg
```

CR10(X) Program that Computes Vapor Pressure and Saturation Vapor Pressure

```
;Turn the HMP45C on.
;
01: Do (P86)
  1: 41          Set Port 1 High          ;Jumper wire from SW12V control to C1
                                           ;Orange wire (C1) if older wiring
                                           ;Green wire (C1) if using SW12V device
                                           ;For CR23X or CR5000 use 49 for SW12V internal
                                           ;control port
```



```

;Pause 150 mSec before making measurements so the
;probe can stabilize on true readings.
;
02: Excitation with Delay (P22)
  1: 1      Ex Channel
  2: 0      Delay W/Ex (units = 0.01 sec)
  3: 15     Delay After Ex (units = 0.01 sec)
  4: 0      mV Excitation

;Measure the HMP45C temperature.
;
03: Volt (SE) (P1)
  1: 1      Reps
  2: 5      2500 mV Slow Range      ;CR510, CR500 (2500mv); CR23X (1000 mV);
                                     21X, CR7 (5000 mV)
  3: 3      SE Channel              ;Yellow wire (SE 3), white or purple wire (AG)
  4: 1      Loc [ T_C      ]
  5: .1     Mult
  6: -40    Offset

;Measure the HMP45C relative humidity.
;
04: Volt (SE) (P1)
  1: 1      Reps
  2: 5      2500 mV Slow Range      ;CR510, CR500 (2500mv); CR23X (1000 mV);
                                     21X, CR7 (5000 mV)
  3: 4      SE Channel              ;Blue wire (SE 4), white or purple wire (AG)
  4: 2      Loc [ RH_frac ]
  5: .001   Mult
  6: 0      Offset

;Turn the HMP45C off.
;
05: Do (P86)
  1: 51     Set Port 1 Low          ;Jumper wire from SW12V control to C1
                                     ;Orange wire (C1) if older wiring
                                     ;Green wire (C1) if using SW12V device
                                     ;For CR23X or CR5000 use 59 for SW12V internal
                                     ;control port

;Compute the saturation vapor pressure.
;The temperature must be in degrees Celsius.
;
06: Saturation Vapor Pressure (P56)
  1: 1      Temperature Loc [ T_C   ]
  2: 3      Loc [ e_sat   ]

;Compute the vapor pressure.
;Relative humidity must be a fraction.
;

```

07: Z=X*Y (P36)
 1: 3 X Loc [e_sat]
 2: 2 Y Loc [RH_frac]
 3: 4 Z Loc [e]

8. Maintenance

The HMP45C Probe requires minimal maintenance. Check monthly to make sure the radiation shield is free from debris. The black screen at the end of the sensor should also be checked for contaminants.

When installed in close proximity to the ocean or other bodies of salt water (e.g., Great Salt Lake), a coating of salt (mostly NaCl) may build up on the radiation shield, sensor, filter and even the chip. NaCl has an affinity for water. The humidity over a saturated NaCl solution is 75%. A buildup of salt on the filter or chip will delay or destroy the response to atmospheric humidity.

The filter can be rinsed gently in distilled water. If necessary, the chip can be removed and rinsed as well. Do not scratch the chip while cleaning.

Long term exposure of the HUMICAP[®] relative humidity sensor to certain chemicals and gases may affect the characteristics of the sensor and shorten its life. Table 9 lists the maximum ambient concentrations, of some chemicals, that the HUMICAP[®] can be exposed to.

TABLE 9. Chemical Tolerances of HMP45C

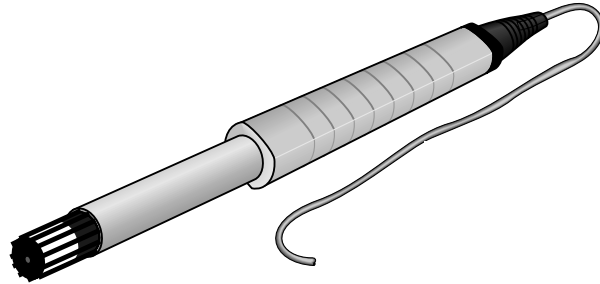
Chemical	Concentration (PPM)
Organic solvents	1000 to 10,000
Aggressive chemicals (e.g. SO ₂ , H ₂ SO ₄ , H ₂ S, HCl, Cl ₂ , etc.)	1 to 10
Weak Acids	100 to 1000
Bases	10,000 to 100,000

Recalibrate the HMP45C annually. Obtain an RMA number before returning the HMP45C to Campbell Scientific for recalibration.

9. References

- Goff, J. A. and S. Gratch, 1946: Low-pressure properties of water from -160° to 212°F, *Trans. Amer. Soc. Heat. Vent. Eng.*, **51**, 125-164.
- Lowe, P. R., 1977: An approximating polynomial for the computation of saturation vapor pressure, *J. Appl. Meteor.*, **16**, 100-103.
- Weiss, A., 1977: Algorithms for the calculation of moist air properties on a hand calculator, *Amer. Soc. Ag. Eng.*, **20**, 1133-1136.

Appendix A. Wiring for Older HMP45C Probes



Description	Color
Temperature Signal	Yellow
Relative Humidity Signal	Blue
Signal Reference	Purple
Power Control	Orange
Power	Red
Power Ground	Black
Shield	Shield

FIGURE A-1. HMP45C Probe to Datalogger Connections

TABLE A-1. Connections for Single-Ended Measurements for Old Wiring Configuration

Description	Color	CR10(X), CR510, CR500	CR23X, CR5000	21X, CR7
Temperature	Yellow	Single-Ended Input	Single-Ended Input	Single-Ended Input
Relative Humidity	Blue	Single-Ended Input	Single-Ended Input	Single-Ended Input
Signal Reference	Purple	AG	⏏	⏏
Power Control	Orange	Control Port	Control Port	Control Port
Power	Red	12 V	12 V	12 V
Power Ground	Black	G	G	⏏
Shield	Clear	G	⏏	⏏

TABLE A-2. Connections for Differential Measurements for Old Wiring Configurations

Description	Color	CR10(X), CR510, CR500	CR23X, CR5000	21X, CR7
Temperature	Yellow	Differential Input (H)	Differential Input (H)	Differential Input (H)
Signal Reference	Jumper to Purple	Differential Input (L)	Differential Input (L)	Differential Input (L)
Relative Humidity	Blue	Differential Input (H)	Differential Input (H)	Differential Input (H)
Signal Reference	Purple	Differential Input (L)	Differential Input (L)	Differential Input (L)
Power Control	Orange	Control Port	Control Port	Control Port
Power	Red	12 V	12 V	12 V
Power Ground	Black	G	G	⏏
Shield	Clear	G	⏏	⏏

Campbell Scientific Companies

Campbell Scientific, Inc. (CSI)

815 West 1800 North
Logan, Utah 84321
UNITED STATES
www.campbellsci.com
info@campbellsci.com

Campbell Scientific Africa Pty. Ltd. (CSAf)

PO Box 2450
Somerset West 7129
SOUTH AFRICA
www.csafrica.co.za
sales@csafrica.co.za

Campbell Scientific Australia Pty. Ltd. (CSA)

PO Box 444
Thuringowa Central
QLD 4812 AUSTRALIA
www.campbellsci.com.au
info@campbellsci.com.au

Campbell Scientific do Brazil Ltda. (CSB)

Rua Luisa Crapsi Orsi, 15 Butantã
CEP: 005543-000 São Paulo SP BRAZIL
www.campbellsci.com.br
suporte@campbellsci.com.br

Campbell Scientific Canada Corp. (CSC)

11564 - 149th Street NW
Edmonton, Alberta T5M 1W7
CANADA
www.campbellsci.ca
dataloggers@campbellsci.ca

Campbell Scientific Ltd. (CSL)

Campbell Park
80 Hathern Road
Shepshed, Loughborough LE12 9GX
UNITED KINGDOM
www.campbellsci.co.uk
sales@campbellsci.co.uk

Campbell Scientific Ltd. (France)

Miniparc du Verger - Bat. H
1, rue de Terre Neuve - Les Ulis
91967 COURTABOEUF CEDEX
FRANCE
www.campbellsci.fr
campbell.scientific@wanadoo.fr

Campbell Scientific Spain, S. L.

Psg. Font 14, local 8
08013 Barcelona
SPAIN
www.campbellsci.es
info@campbellsci.es