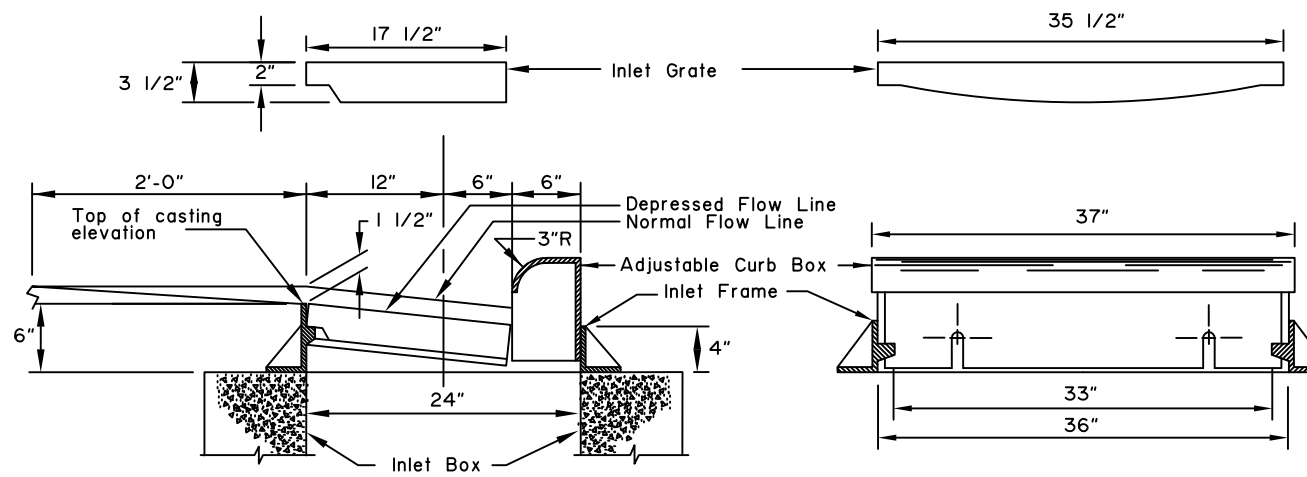
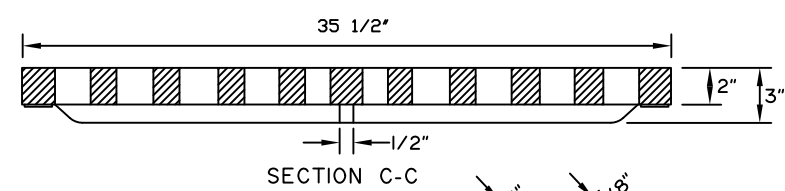


STANDARD CURB INLET INSTALLATION

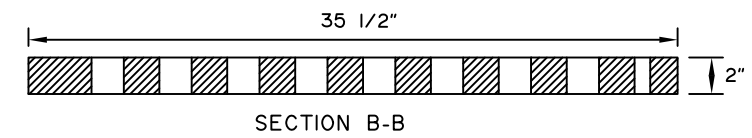


SECTION A

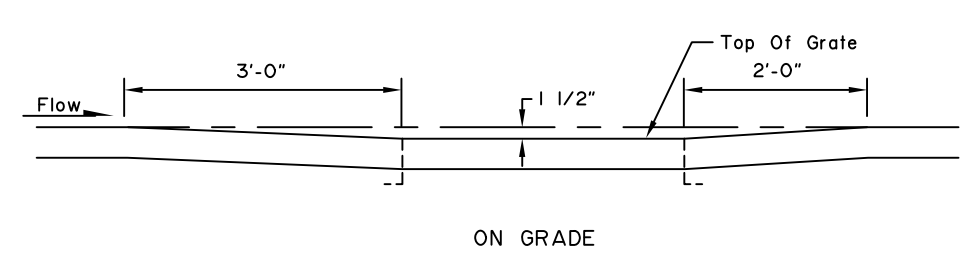
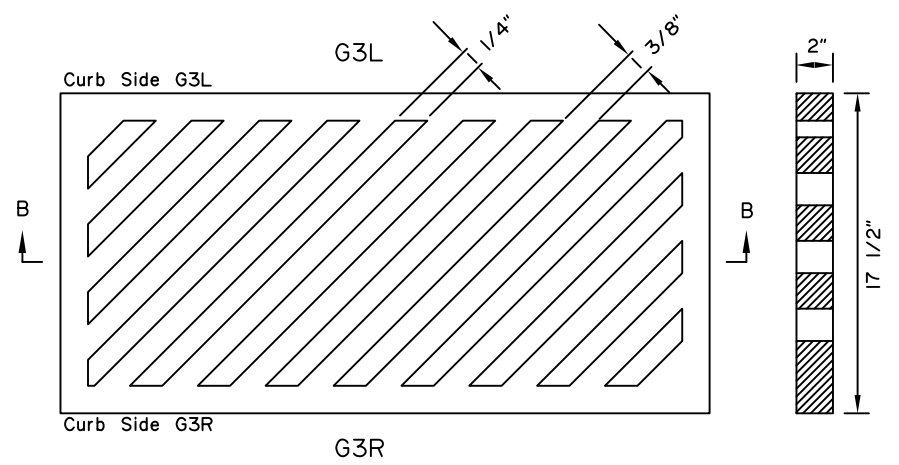
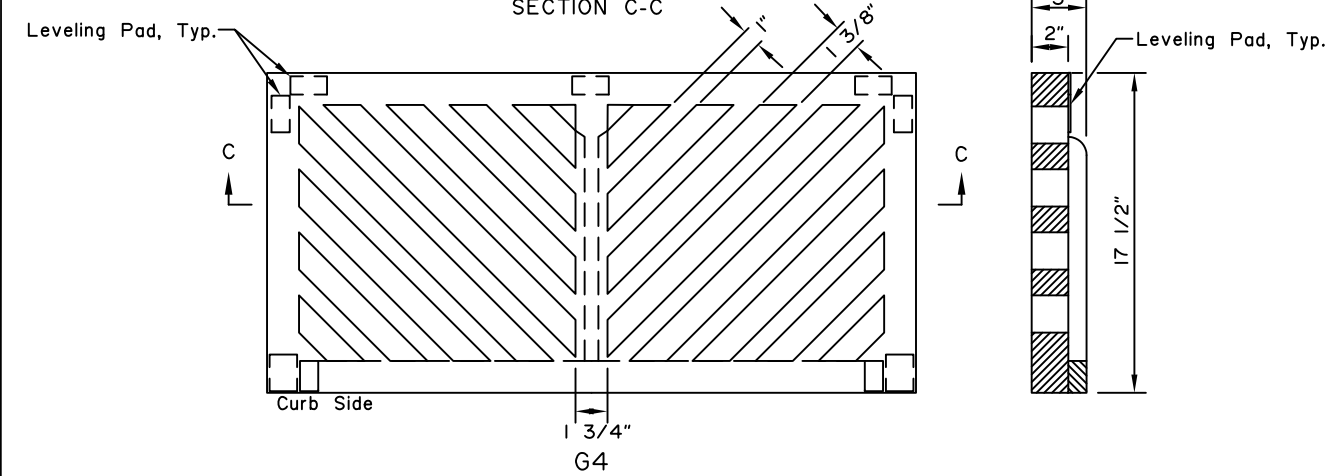
- GENERAL NOTES:**
1. Details shown are to indicate general design only. Dimensions and design may vary among the manufacturers.
 2. Minimum casting weight shall be 330 lbs for Curb Inlet Frame with Curb Box and 200 lbs. for Inlet Grate.
 3. The outside dimensions of Inlet Grate shall be 35 1/2" x 17 1/2" and all grates shall be interchangeable.
 4. Minimum drainage area of Inlet Grate shall be 255 square inches.
 5. Inlet Grate type G-3R or G-3L shall be used in all cases except where drainage is from both directions, in which case type G-4 shall be used.



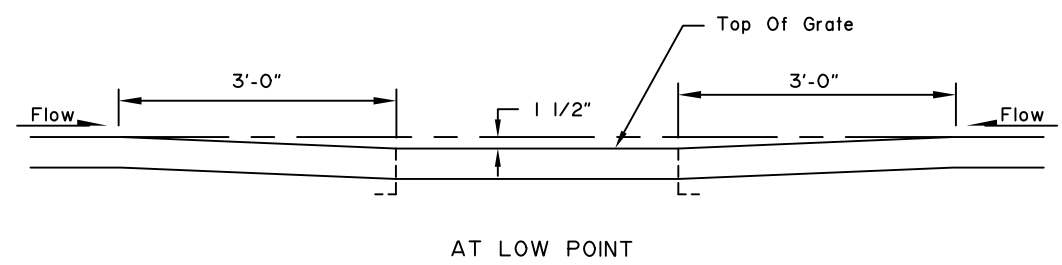
SECTION C-C



SECTION B-B



ON GRADE



AT LOW POINT

DEPRESSION IN FLOW LINE AT INLET CONSTRUCTION DETAILS

State of Alaska DOT&PF
ALASKA STANDARD PLAN
**CURB INLET BOX,
FRAME & GRATE**

Adopted as an Alaska
Standard Plan by: *Kenneth J. Fisher*
Kenneth J. Fisher, P.E.
Chief Engineer

Adoption Date: 02/08/2019

Last Code and Stds. Review
By: Date:
Next Code and Standards Review date: 02/08/2029

NOT TO SCALE

D-23.01