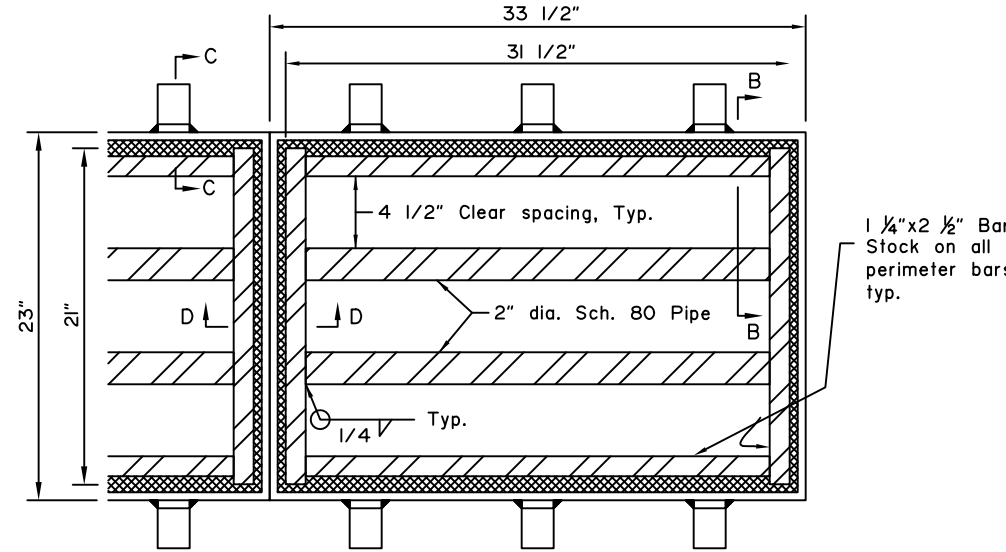


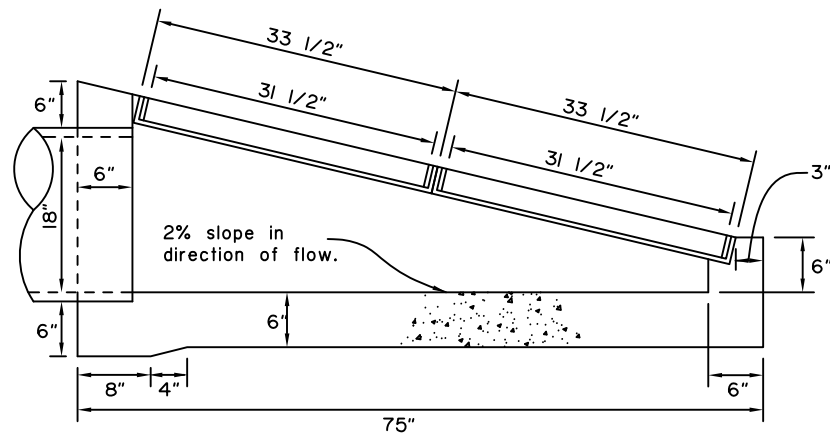
PLAN  
(Frame not shown for clarity)



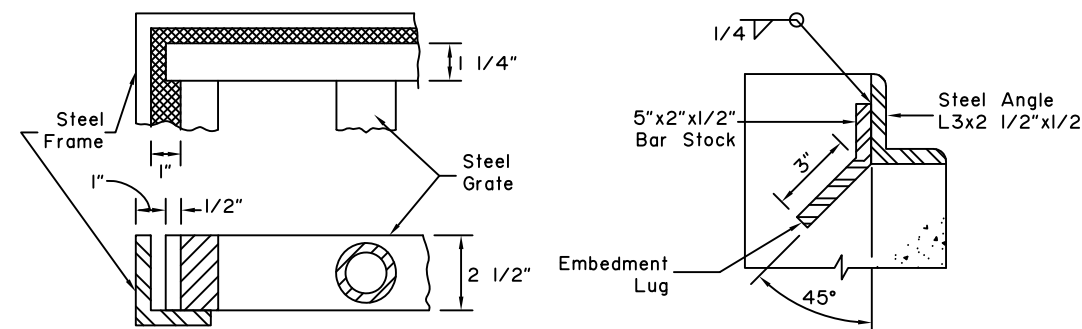
STEEL FRAME AND GRATE CONFIGURATION

GENERAL NOTES:

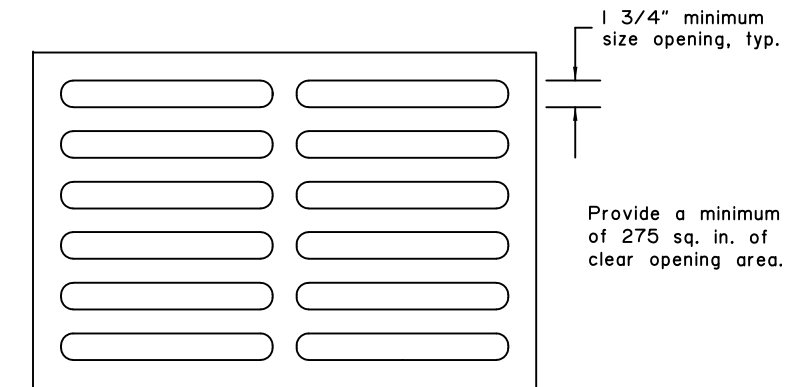
1. Provide either steel frames and grates or cast iron frames and grates.
2. Chamfer all exposed concrete corners 3/4".
3. Provide 2" minimum cover for all reinforcing steel.
4. Use Grade 40 minimum reinforcing steel.
5. Cast iron frame embedment lugs may differ from the configuration shown for the steel frame. Provide 6 total embedment lugs extending into concrete a minimum of 3".
6. Shop fabricate steel frames and steel grates.
7. Hot dip galvanize steel frames and grates. Provide uncoated cast iron frames and grates.



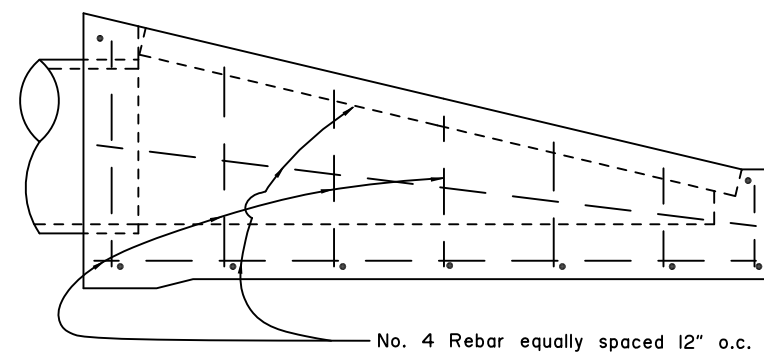
SECTION A-A



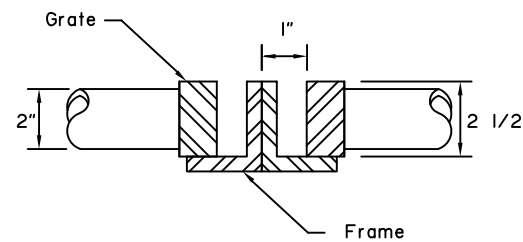
SECTION B-B  
SECTION C-C  
STEEL FRAME & GRATE DETAILS  
Finished grate size is 2"x31 1/2"



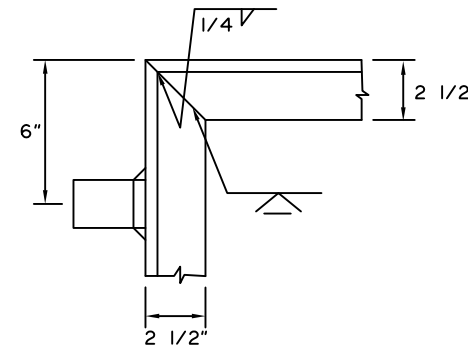
CAST IRON GRATE CONFIGURATION  
Finished grate size is 2"x 31 1/2"



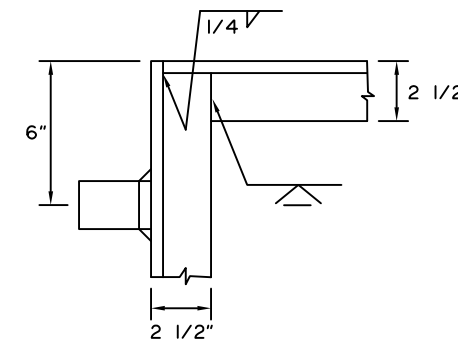
TYPICAL REINFORCEMENT STEEL DETAIL



SECTION D-D



STEEL FRAME DETAIL



ALTERNATE STEEL FRAME DETAIL

NOTE: DRAWING NOT TO SCALE

State of Alaska DOT&PF  
ALASKA STANDARD PLAN  
TYPE "C" INLET BOX  
18 INCH PIPE  
ON 4:1 SLOPE

Adopted as an Alaska  
Standard Plan by: *Kenneth J. Fisher*  
Kenneth J. Fisher, P.E.  
Chief Engineer

Adoption Date: 02/08/2019

Last Code and Stds. Review  
By: Date:

Next Code and Standards Review date: 02/08/2029