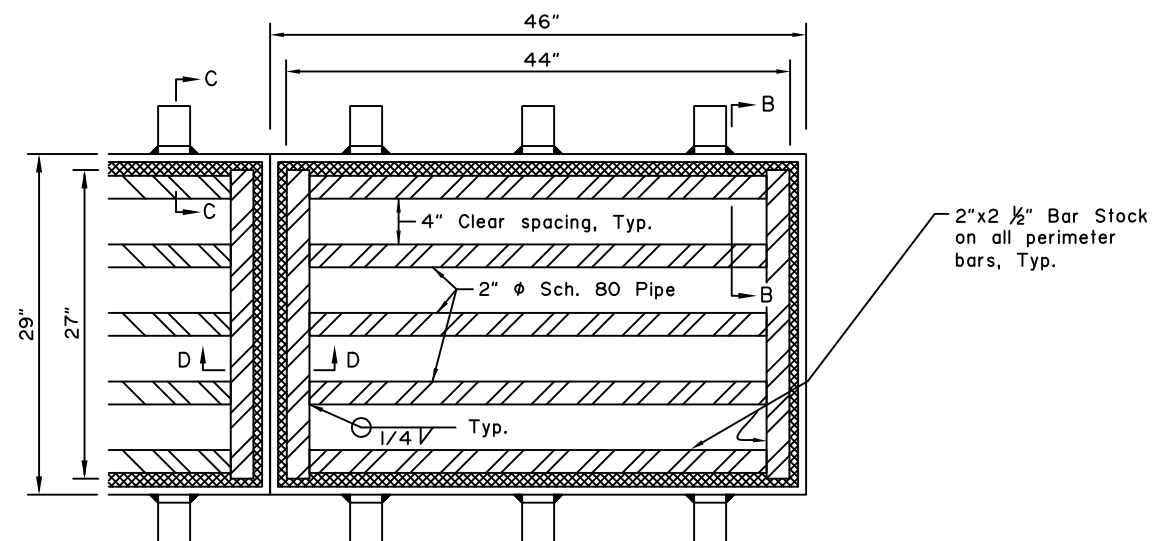


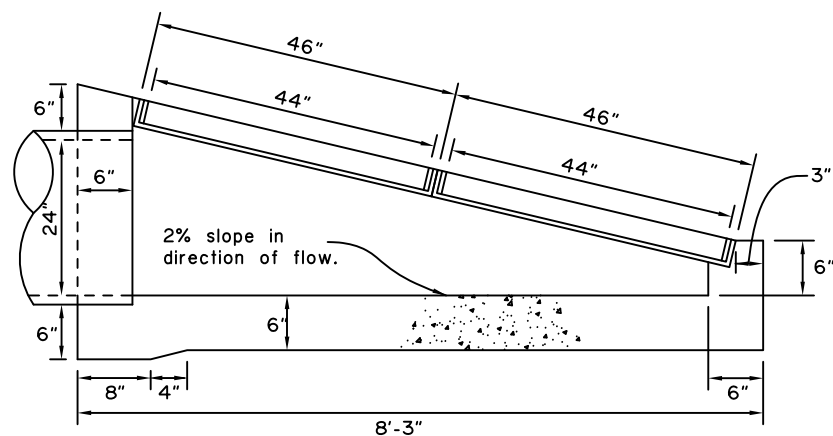
PLAN
(Grate not shown for clarity)



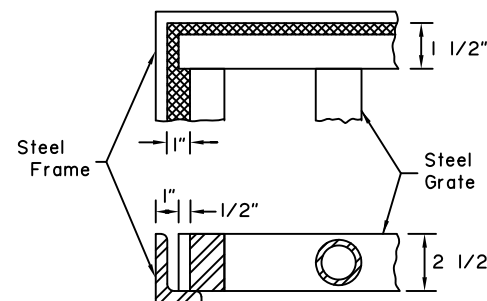
STEEL FRAME & GRATE CONFIGURATION

GENERAL NOTES:

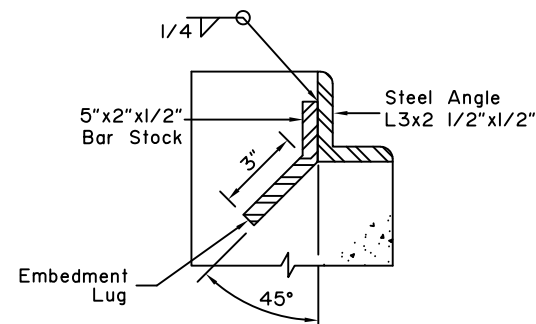
1. Provide either steel frames and grates or cast iron frames and grates.
2. Chamfer all exposed concrete corners $\frac{3}{4}$ ".
3. Provide 2" minimum cover for all reinforcing steel.
4. Use Grade 40 minimum reinforcing steel.
5. Cast iron frame embedment lugs may differ from the configuration shown for steel frames. Provide 6 total embedment lugs extending into concrete a minimum of 3".
6. Shop fabricate steel frames and steel grates.
7. Hot dip galvanize steel frames and grates. Provide uncoated cast iron frames and grates.



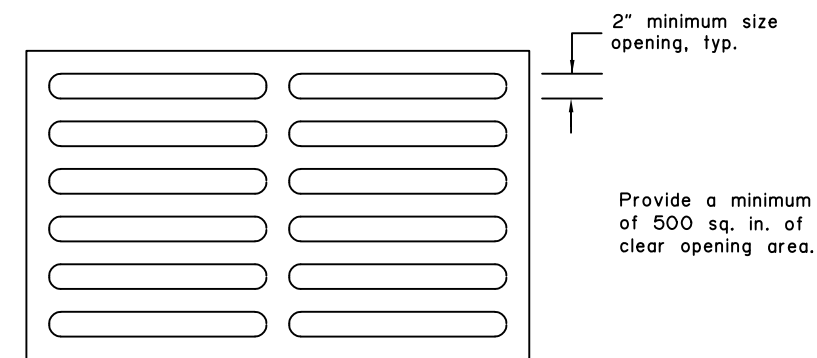
SECTION A-A



SECTION B-B



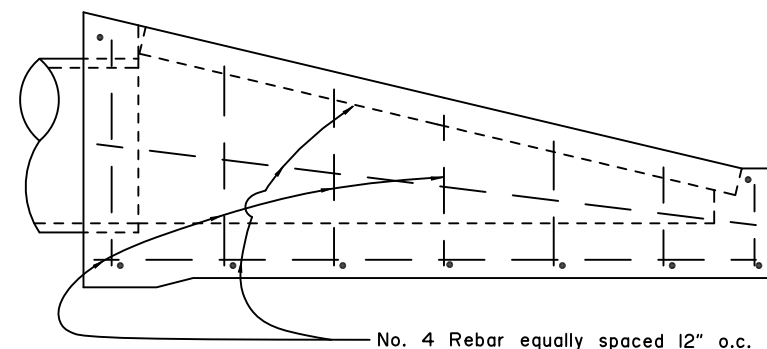
SECTION C-C



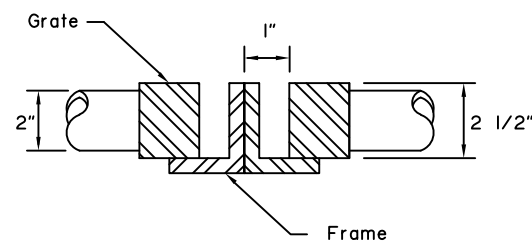
CAST IRON GRATE CONFIGURATION

STEEL FRAME & GRATE DETAILS

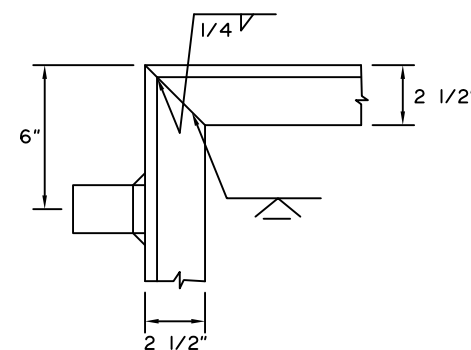
Finished grate size is 27"x44"



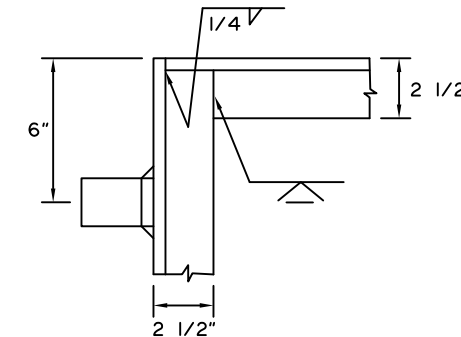
TYPICAL REINFORCEMENT STEEL DETAIL



SECTION D-D



STEEL FRAME DETAIL



ALTERNATE STEEL FRAME DETAIL

NOTE: DRAWING NOT TO SCALE

State of Alaska DOT&PF
ALASKA STANDARD PLAN
**TYPE "C" INLET BOX
24 INCH PIPE
ON 4:1 SLOPE**

Adopted as an Alaska Standard Plan by: *Kenneth J. Fisher*
Kenneth J. Fisher, P.E.
Chief Engineer

Adoption Date: 02/08/2019

Last Code and Stds. Review By: _____ Date: _____

Next Code and Standards Review date: 02/08/2029