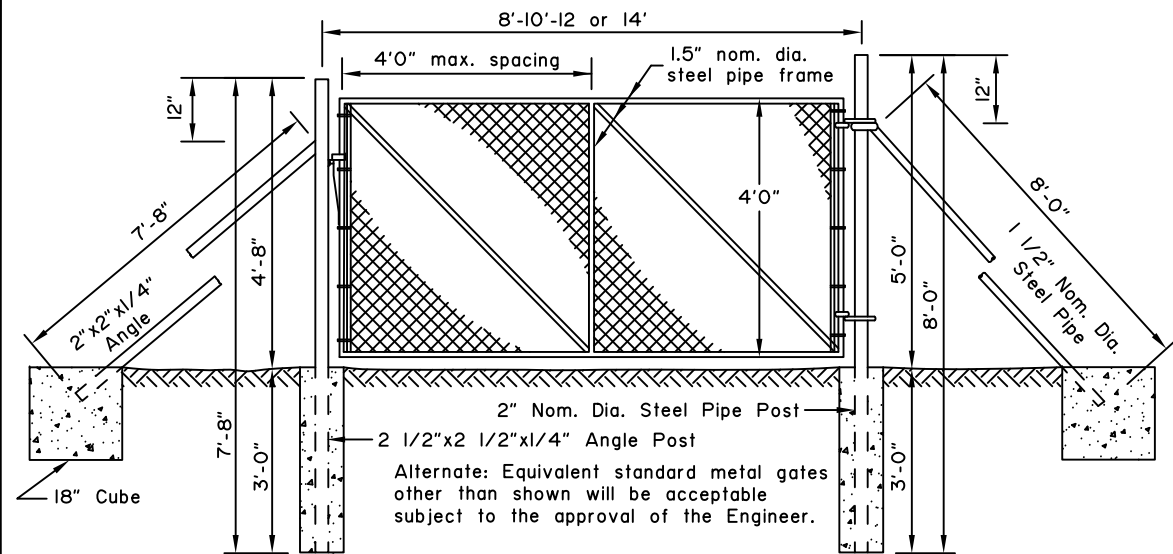
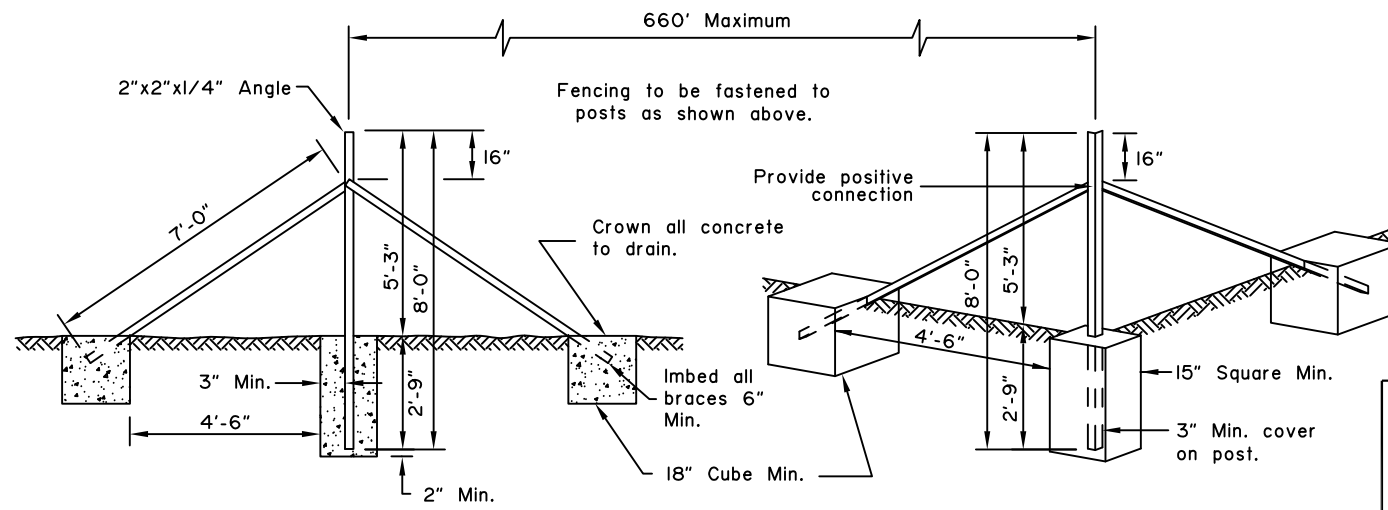


WOVEN WIRE FENCE

NOTE: 3'-4' Metal Walk Gates shall be of a similar construction as Type 2 Gate with the exception that vertical brace & truss shall be omitted.



TYPE 2 GATE



METAL LINE BRACE

Installed at not more than 660' apart.

METAL CORNER BRACE

GENERAL NOTES:

- Gate shall be hung on standard angle or steel pipe posts.
- Metal posts shall be angle steel or steel pipe with dimensions as shown and with the following nominal weights per linear foot: 1 1/2" Nominal Diameter-2.72 lbs, 2" Nominal Diameter-3.65 lbs.
- Install fencing and gates where shown on plans.
- Gate shall be manufactured of steel pipe not less than 1" Nominal Diameter, (Nominal wt. 1.68 lbs per linear foot) for frame and vertical brace. Wire mesh shall be 9 gage and affixed to the frame with 9 gage G.I. wire. Each gate shall be equipped with one standard adjustable diagonal truss rod from corner to corner. Hinges and 2-way self closing latch shall be of an approved rustproof malleable iron or steel.
- Woven wire top and bottom strands shall be 9 gage intermediate strands and vertical fillers shall be 11 gage.
- Corner, end and brace posts shall be 2" Nominal Diameter pipe. (Nominal wt. 3.65 lbs. per linear foot) or 2 1/2"x2 1/2"x1/4" angle (Nominal wt. 4.1 lbs. per linear foot).
- Metal line posts (Nominal wt. 1.33 lbs. per linear foot) shall have knobs, punched web or corrugated edges to hold fencing.
- Provide metal braces made of 1 1/2" nominal diameter pipe with a nominal weight of 2.72 lbs per linear foot or 2"x2"x1/4" angle with a nominal weight of 3.19 lbs per linear foot.
- Wire fencing shall be placed on side of post facing the highway. Special bracing or location may be required when fencing crosses or parallels streams, bodies of water or sags in the fence line.
- Tie wires shall be 10 gage.
- All wire, posts and hardware shall be galvanized. Weights and gages specified are minimums before galvanizing.
- Barbed wire shall be 12 1/2 gage, with 4 point 14 gage round barbs at 5" maximum spacing.

TYPICAL BRACING DETAIL

State of Alaska DOT&PF  
ALASKA STANDARD PLAN  
WOVEN WIRE FENCE  
WITH BARBED WIRE

Adopted as an Alaska Standard Plan by: *Kenneth J. Fisher*  
Kenneth J. Fisher, P.E.  
Chief Engineer

Adoption Date: 02/08/2019

Last Code and Stds. Review  
By: Date:

Next Code and Standards Review date: 02/08/2029