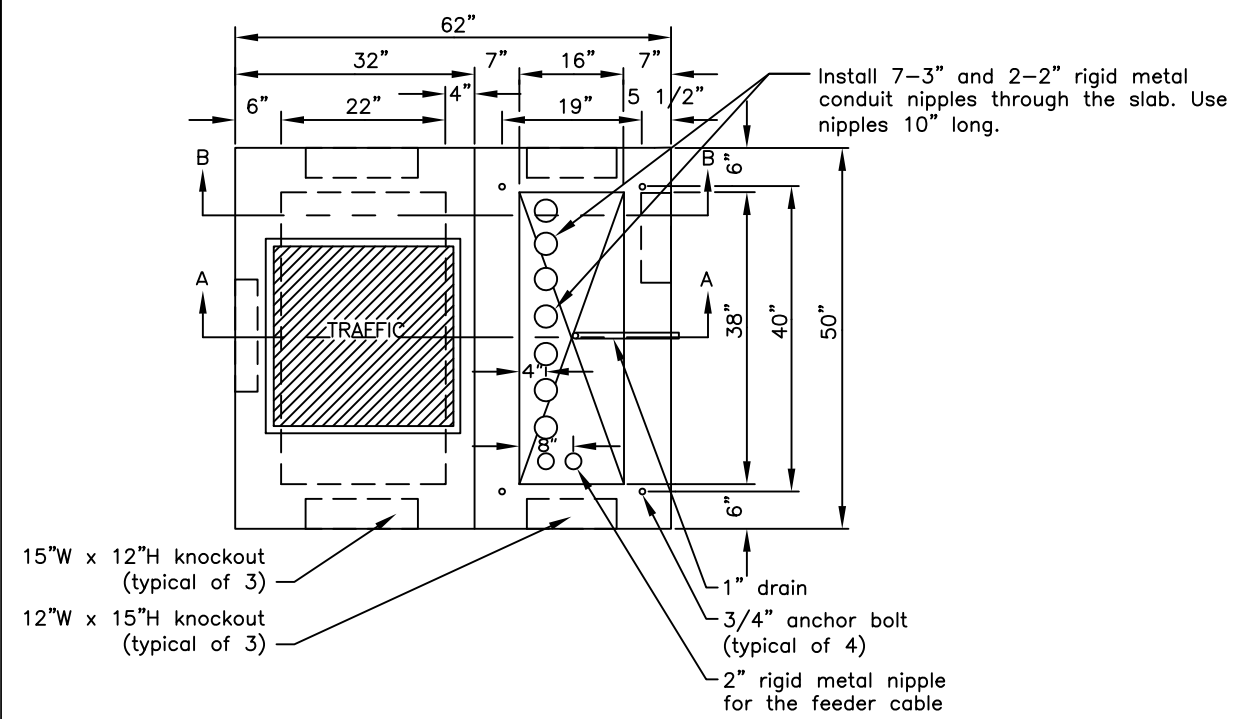
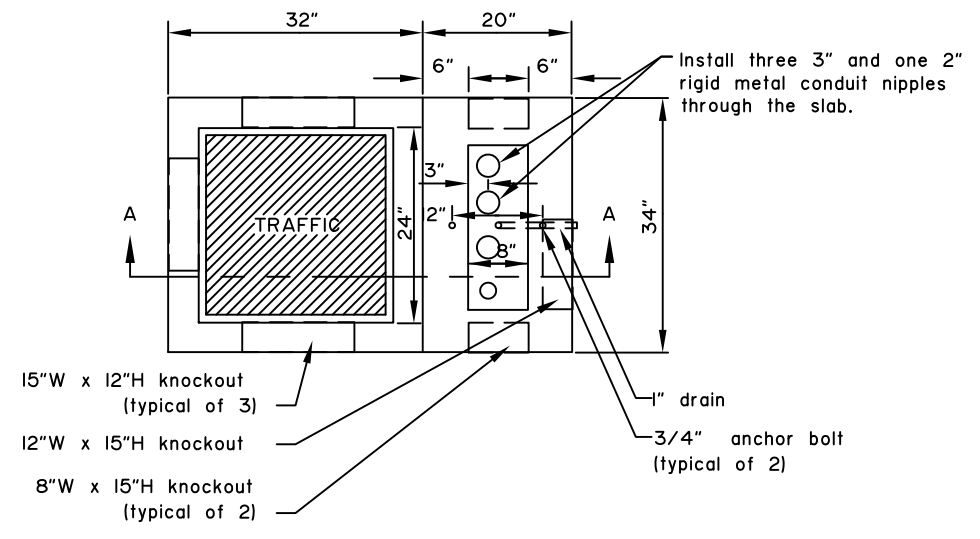


**GENERAL NOTES**

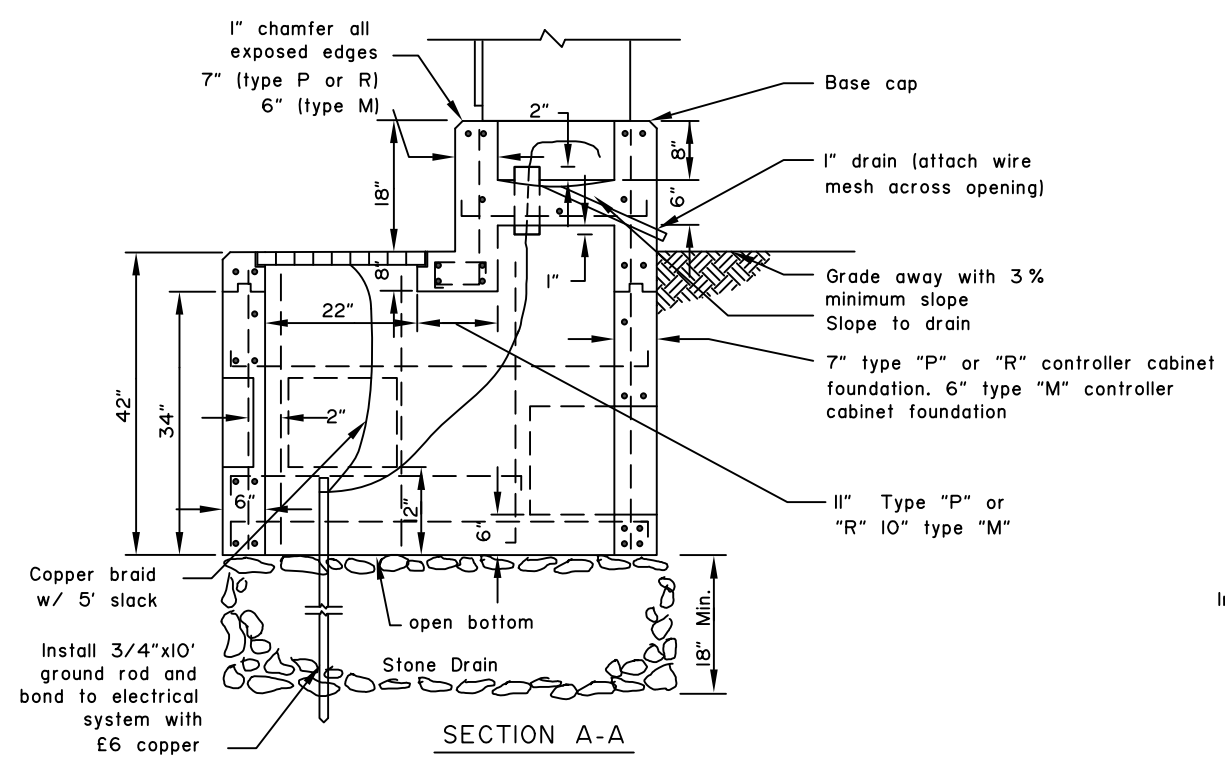
1. Install anchor bolts so they do not protrude more than 1 1/2" above the top of the foundation. Anchor bolt dimensions shall be as specified by the cabinet manufacturer.
2. Provide all conduit ends with grounding bushings. Seal unused conduit stubs with watertight caps. Provide a one pound package of duct seal compound to be installed in conductor carrying conduit stubs by signal technicians during final inspection.
3. Route the #6 copper grounding jumper from the ground rod through the 2" pipe nipple and attach it to the grounding bushing on the feeder cable conduit.
4. Bond the braided copper grounding conductor to the #6 copper grounding jumper using an irreversible compression connector. Provide sufficient slack such that there will be a minimum of 3' conductor to extend past the lid opening.
5. Stop horizontal and vertical steel at the block-out panels and the joint using 90° hooks. Place 2 extra #5 horizontal and vertical bars all sides as shown.



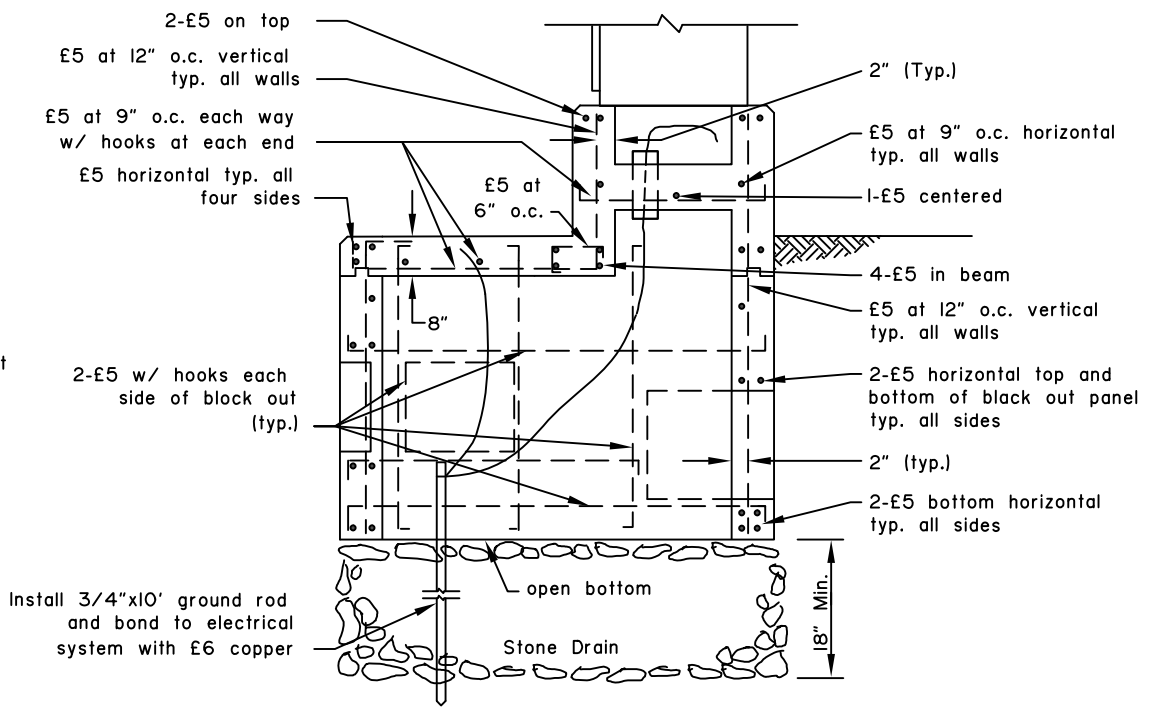
TYPE "P" or "R" CONTROLLER CABINET FOUNDATION



TYPE "M" CONTROLLER CABINET FOUNDATION



NOTE: see section "B-B" for rebar details.



NOTES: see section "A-A" for dimensional details & notes.

State of Alaska DOT&PF  
ALASKA STANDARD PLAN  
**CONTROLLER CABINET  
FOUNDATION**

Adopted as an Alaska  
Standard Plan by: *Kenneth J. Fisher*  
Kenneth J. Fisher, P.E.  
Chief Engineer

Adoption Date: 02/08/2019

Last Code and Stds. Review  
By: Date:

Next Code and Standards Review date: 02/08/2029