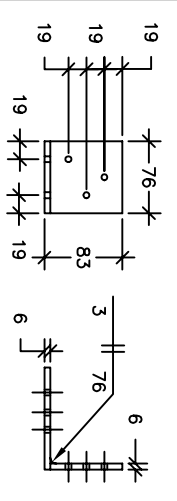
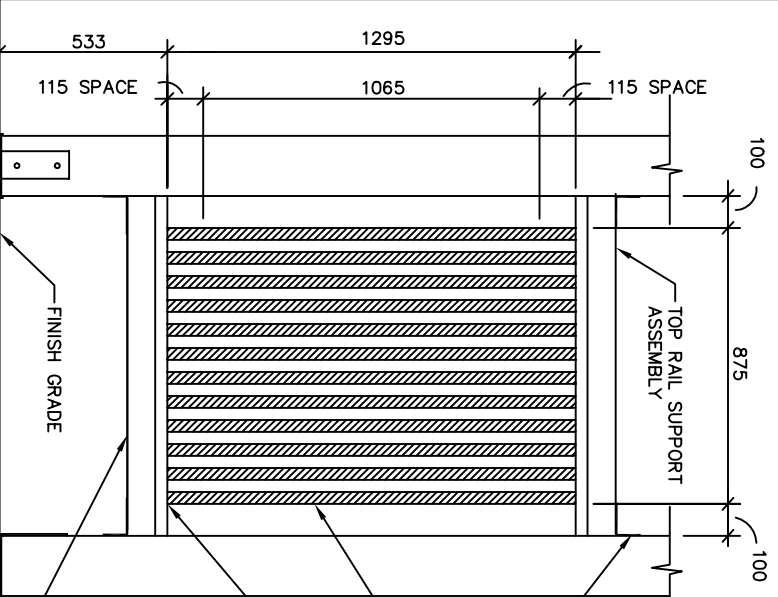


- NOTES:
 1. DRILL HOLES 6Ø
 2. 6 MILD STEEL, (4) REQ'D PER SIGN.
 3. L100x75x6 MAY BE USED.

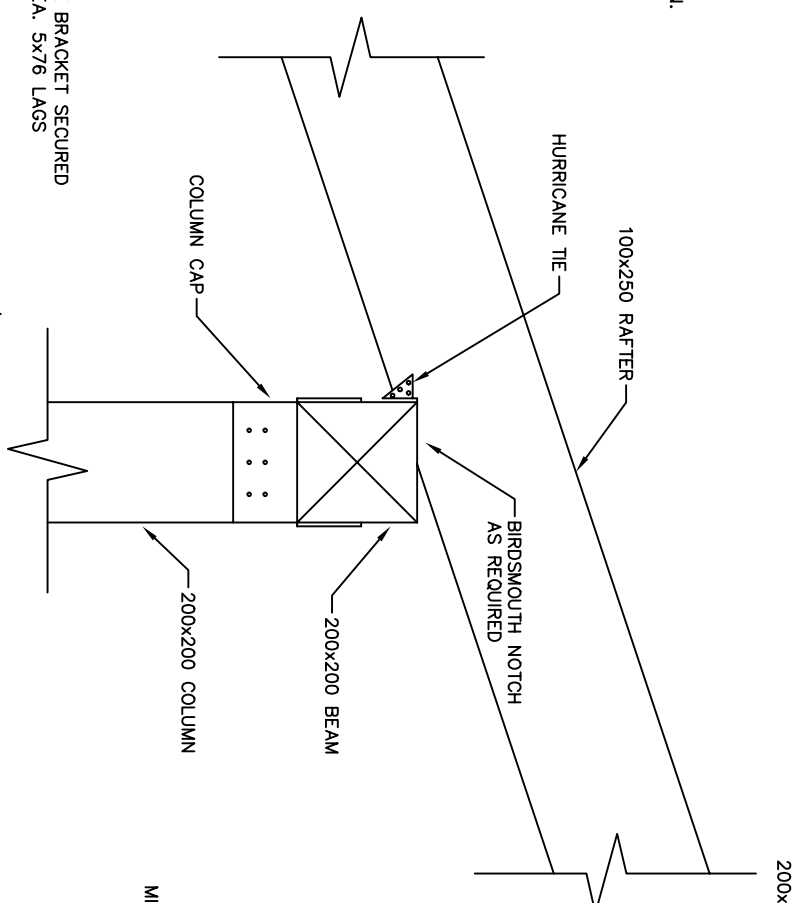


ANGLE BRACKET
 DETAILS

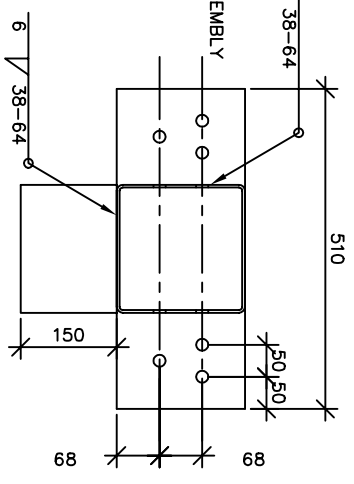


2x4 GRILL
 DETAILS - INTERP PANEL &
 1x6 TRIM NOT SHOWN

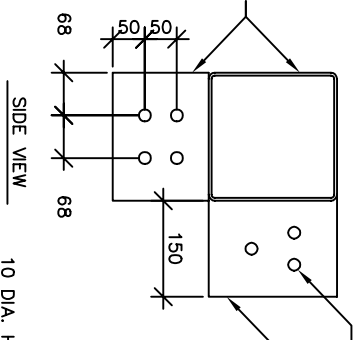
2 EA. 16d NAILS/50x100 (TYP)
 THROUGH TOP & BOTTOM
 RAILS INTO 50x100 GRILL



BEAM/RAFTER CONNECTION
 DETAILS - 2x6 T&G DECKING & METAL ROOF NOT SHOWN

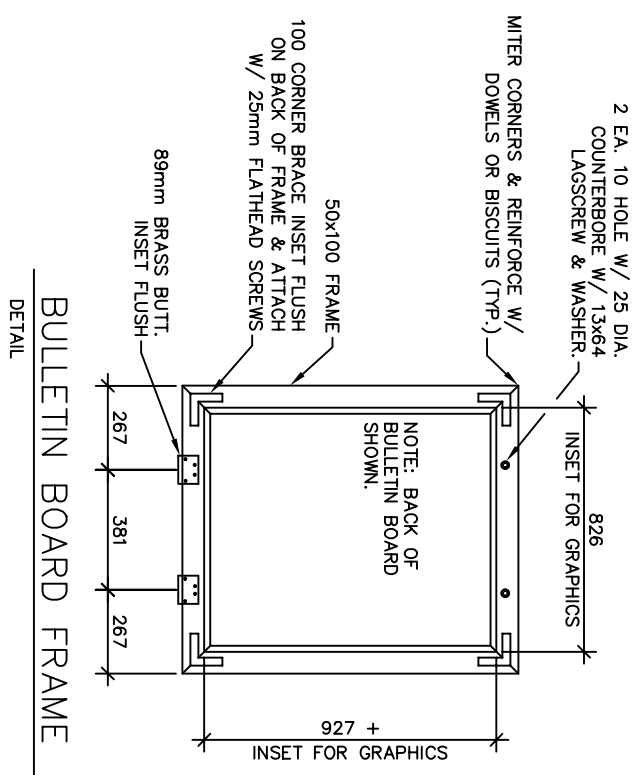


FRONT VIEW



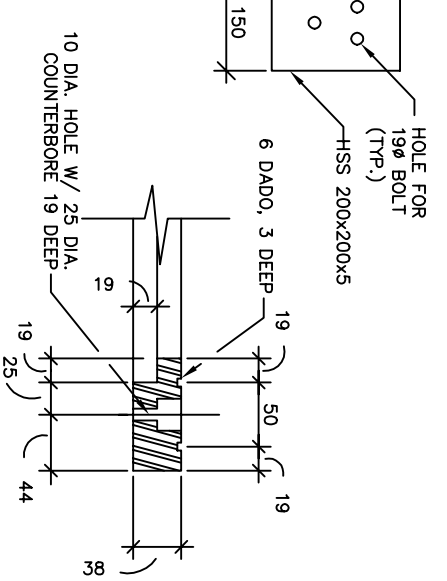
SIDE VIEW

CORNER BRACKET
 DETAIL



BULLETIN BOARD FRAME
 DETAIL

- NOTES:
 1. NOTCH POSTS TO FIT ANGLE BRACKETS & TOP/BOTTOM SUPPORT RAILS.
 2. DO NOT NOTCH POSTS FULL LENGTH OF 50x100 GRILL.



BULLETIN BOARD FRAME
 SECTION

- NOTES:
 1. INTERPRETIVE PANEL ASSEMBLY CONSISTS OF INTERPRETIVE GRAPHIC BACKING BOARD AND INTERP PANEL FRAME.
 2. INTERPRETIVE GRAPHIC PANEL SUPPLIED BY OTHERS MEASURES 927x165x3. THE CONTRACTOR SHALL MAKE ACCOMMODATIONS FOR THIS GRAPHIC IN MEASUREMENTS AND CONSTRUCTION.

BULLETIN BOARD
 SECTION

