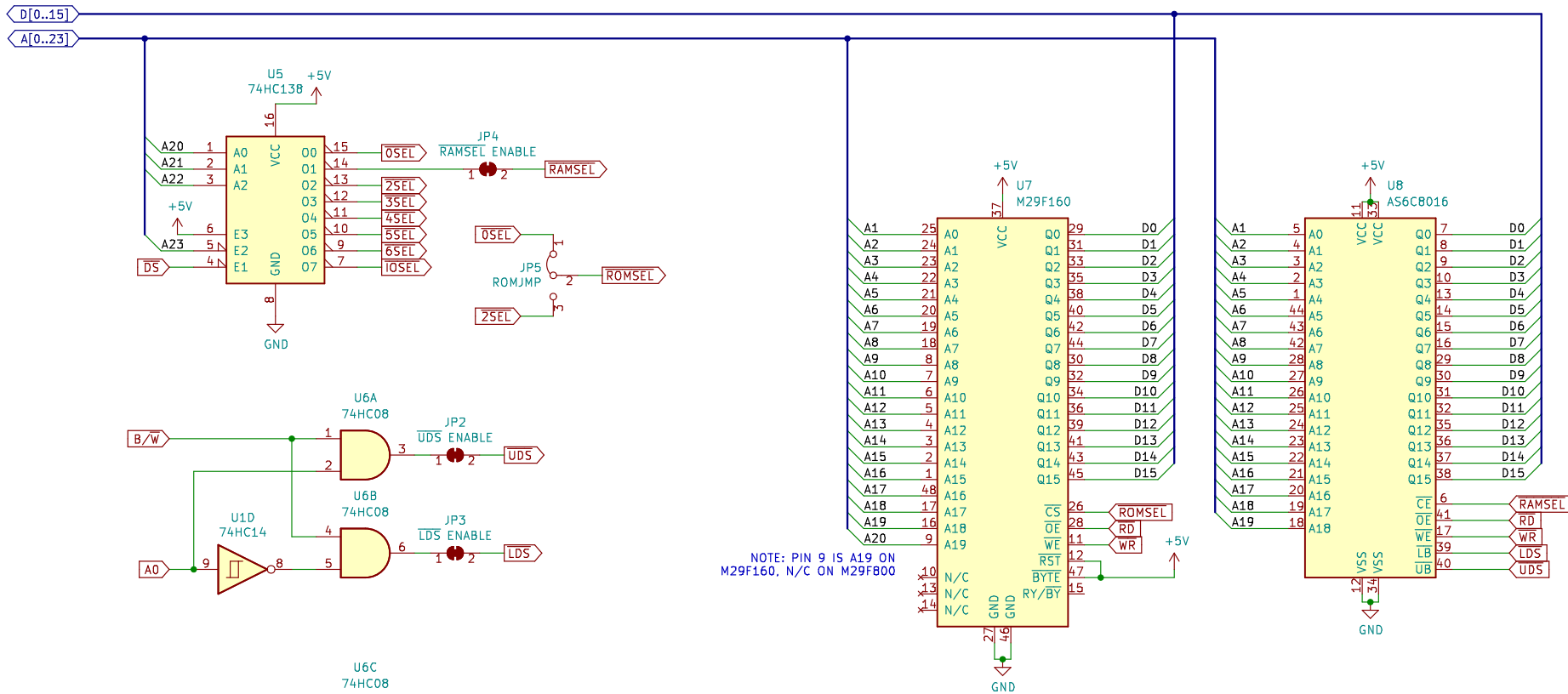
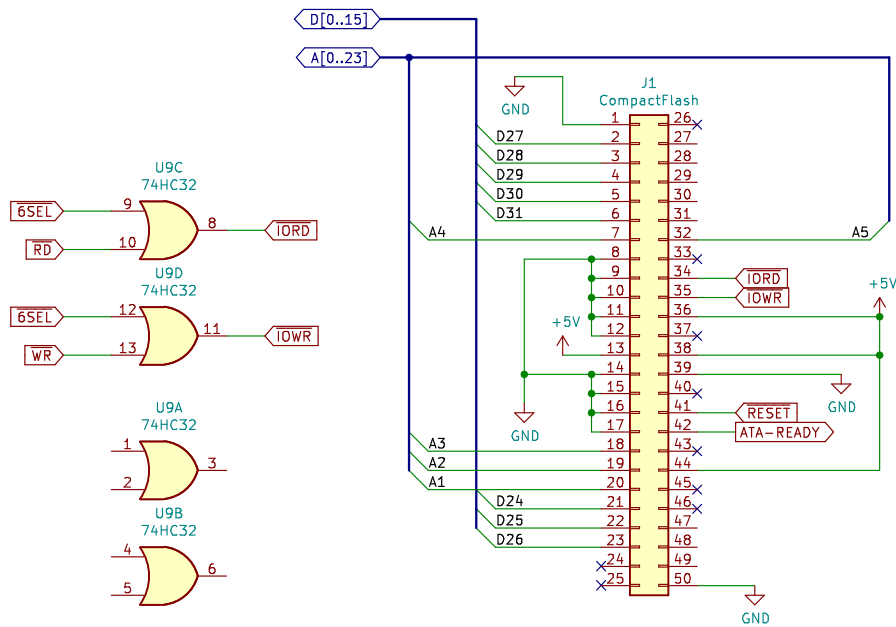
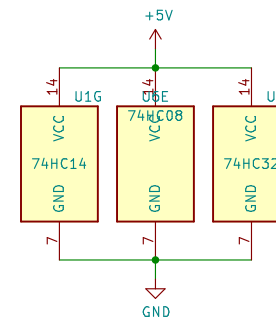
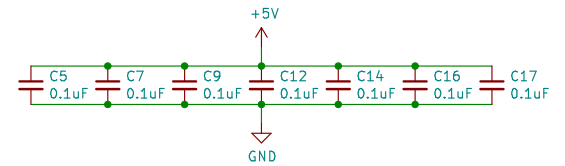
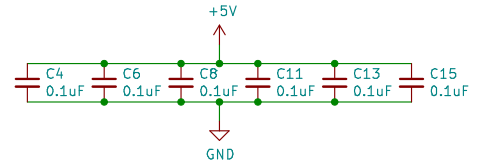
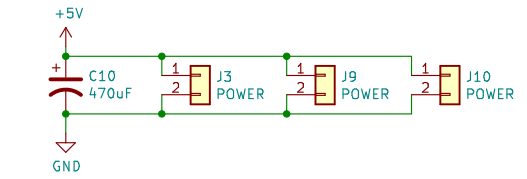
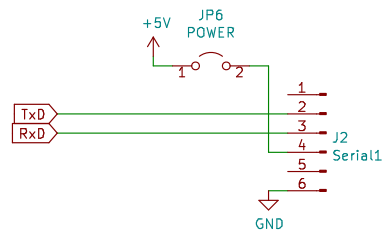


Sheet: /	
File: Z280-SBC.kicad_sch	
Title: Z280-SBC	
Size: A4	Date:
KiCad E.D.A. kicad 6.0.9+dfsg-1	Rev: 1
	Id: 1/4





Sheet: /10/

File: IO.kicad_sch

Title: Z280-SBC

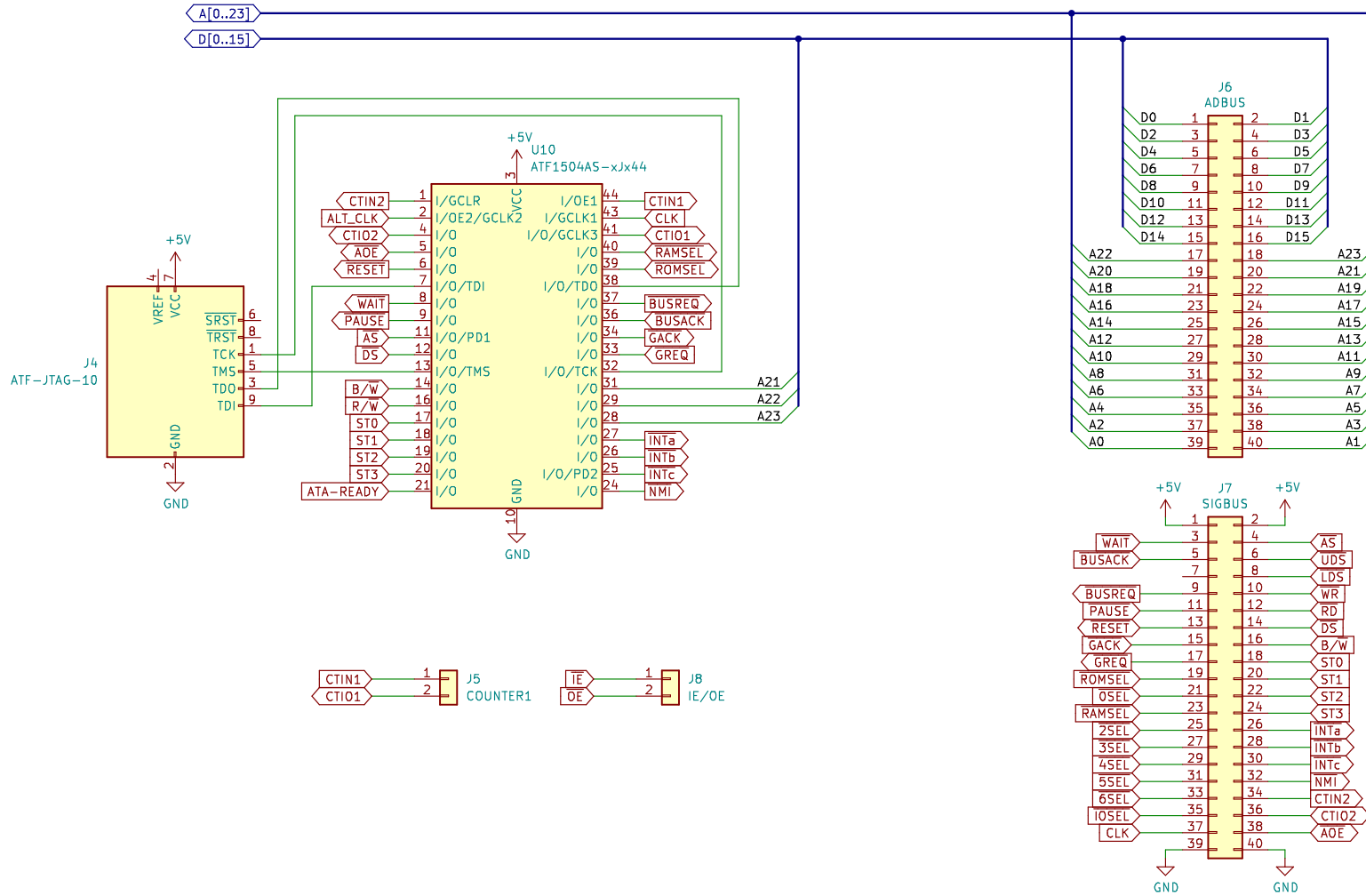
Size: A4

Date:

KiCad E.D.A. kicad 6.0.9+dfsg-1

Rev: 1

Id: 3/4



Sheet: /Bus/

File: Bus.kicad_sch

Title: Z280-SBC

Size: A4

Date:

KiCad E.D.A. kicad 6.0.9+dfsg-1

Rev: 1

Id: 4/4