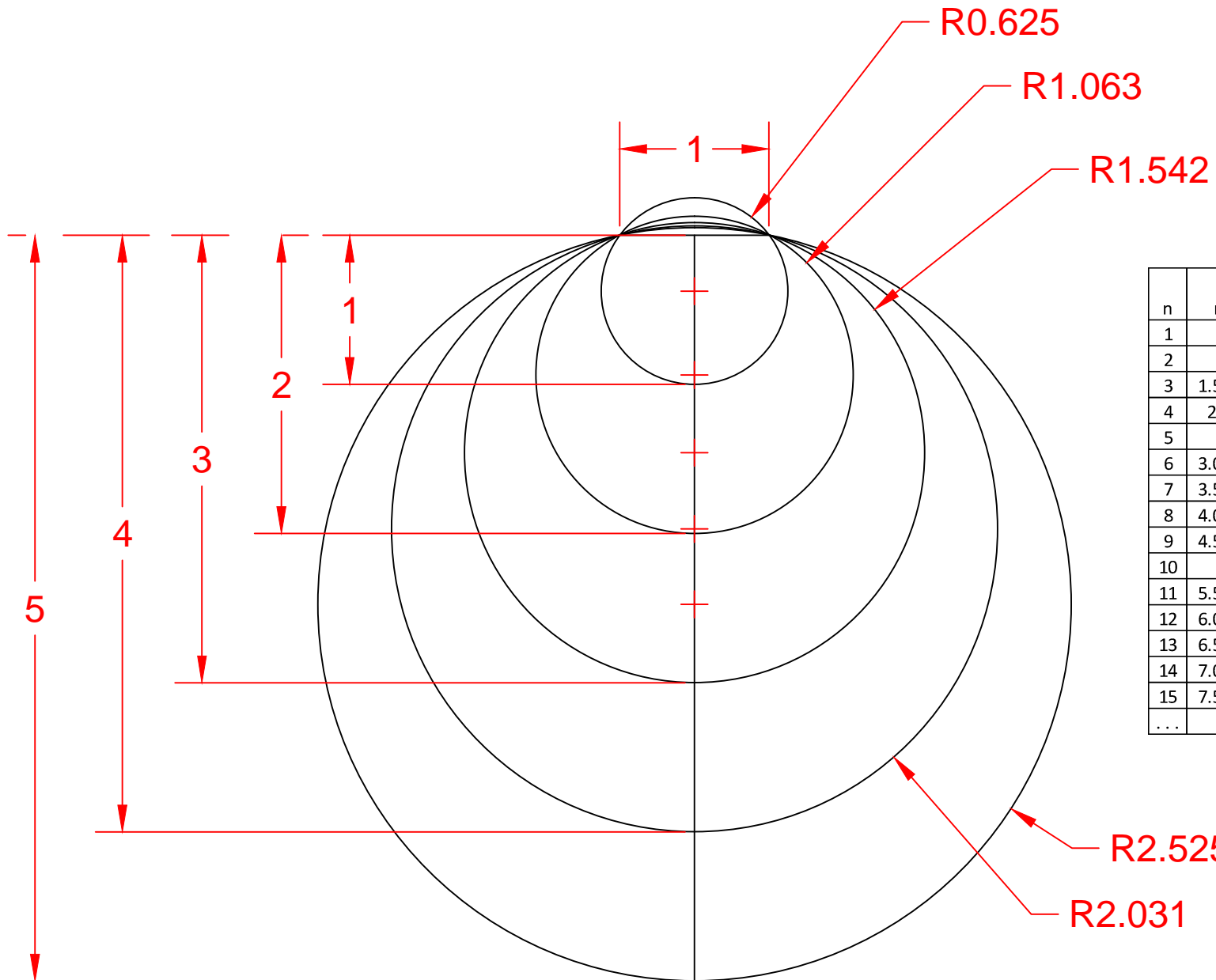


Circle radius $r(n)$ at sagitta = n & cord length = 1



n	r(n)	A053755(n)	A008590(n)	A004526(n)
		numerator	denominator	floor(r(n))
1	0.625	5	8	0
2	1.0625	17	16	1
3	1.541667	37	24	1
4	2.03125	65	32	2
5	2.525	101	40	2
6	3.020833	145	48	3
7	3.517857	197	56	3
8	4.015625	257	64	4
9	4.513889	325	72	4
10	5.0125	401	80	5
11	5.511364	485	88	5
12	6.010417	577	96	6
13	6.509615	680	104	6
14	7.008929	785	112	7
15	7.508333	901	120	7
...