

IP over CCSDS Space Links

TECHNICAL CORRIGENDUM 2

The Management Council of the Consultative Committee for Space Data Systems (CCSDS) has authorized the publication of technical corrigendum 2 to CCSDS 702.1-B-1, issued September 2012.

Page 1-4, add before [8] “Space Assigned Number Authority (SANA) Registry . . . :

[8] *Unified Space Data Link Protocol. Issue 2. Recommendation for Space Data System Standards (Blue Book), CCSDS 732.1-B-2. Washington, D.C.: CCSDS, October 2021.*

Page 2-1, 2.1 GENERAL, first paragraph, change:

from: “Advanced Orbiting Systems (AOS), and Proximity-1 (Prox-1)”

to: “Advanced Orbiting Systems (AOS), Unified Space Data Link Protocol (USLP), and Proximity-1 (Prox-1)”

from: “or TC Virtual Channel Packet (VCP) Service”

to: “TC, or USLP Virtual Channel Packet (VCP) Service”

from: “TC Multiplexer Access Point Packet (MAPP) Service”

to: “TC or USLP Multiplexer Access Point Packet (MAPP) Service”

Page 2-1, 2.1 GENERAL, second paragraph, change:

from: “see references [4]-[7]”

to: “see references [4]-[8]”

Distribution Control Number: TC 23-27

Reference Number: CCSDS 702.1-B-1 Cor. 2

NOTE – Current versions of CCSDS documents are maintained at the CCSDS Web site:

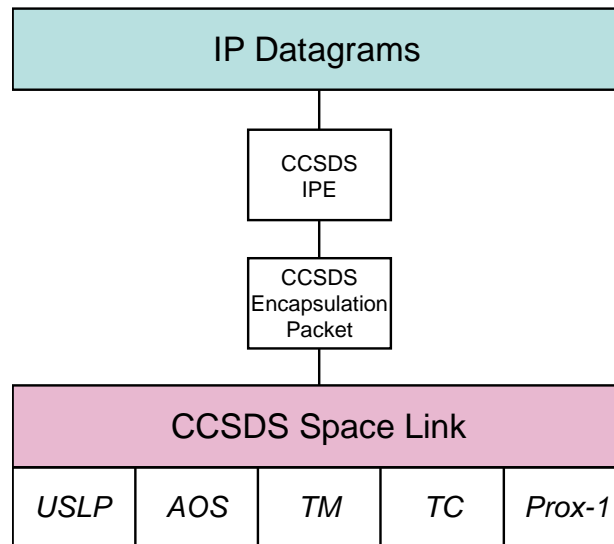
<https://public.ccsds.org/>

Correspondence regarding CCSDS documents should be addressed to

CCSDS Secretariat
National Aeronautics and Space Administration
Washington, DC, USA
Email: secretariat@mailman.ccsds.org

TECHNICAL CORRIGENDUM 2 TO CCSDS 702.1-B-1 (Continued)

Page 2-1, Figure 2 1, replace with the following:



Page 3-2, paragraph 3.3.3,

list item 1, change

from: “TC, or AOS”

to: “TC, USLP, or AOS”

list item 2, change

from: “TC”

to: “TC or USLP”

Page 3-2, 3.4.1 OVERVIEW, change:

from: “TC, and Prox-1 SDLPs”

to: “TC, USLP, and Prox-1 SDLPs”

Page 3-2, Table 3-1, change:

from: “AOS, TM, TC, Prox-1”

to: “AOS, TM, TC, USLP, Prox-1”

Page 3-3, paragraph 3.4.2.4, change:

from: “AOS, TM, TC, and Prox-1”

to: “AOS, TM, TC, USLP, and Prox-1”

TECHNICAL CORRIGENDUM 2 TO CCSDS 702.1-B-1 (Continued)

Page 3-3, paragraph 3.4.2.5, change:

from: “AOS, TM, TC, or Prox-1”

to: “AOS, TM, TC, USLP, or Prox-1”

Page E-2, above VCP Virtual Channel Packet (Service), add:

“USLP Unified Space Data Link Protocol”