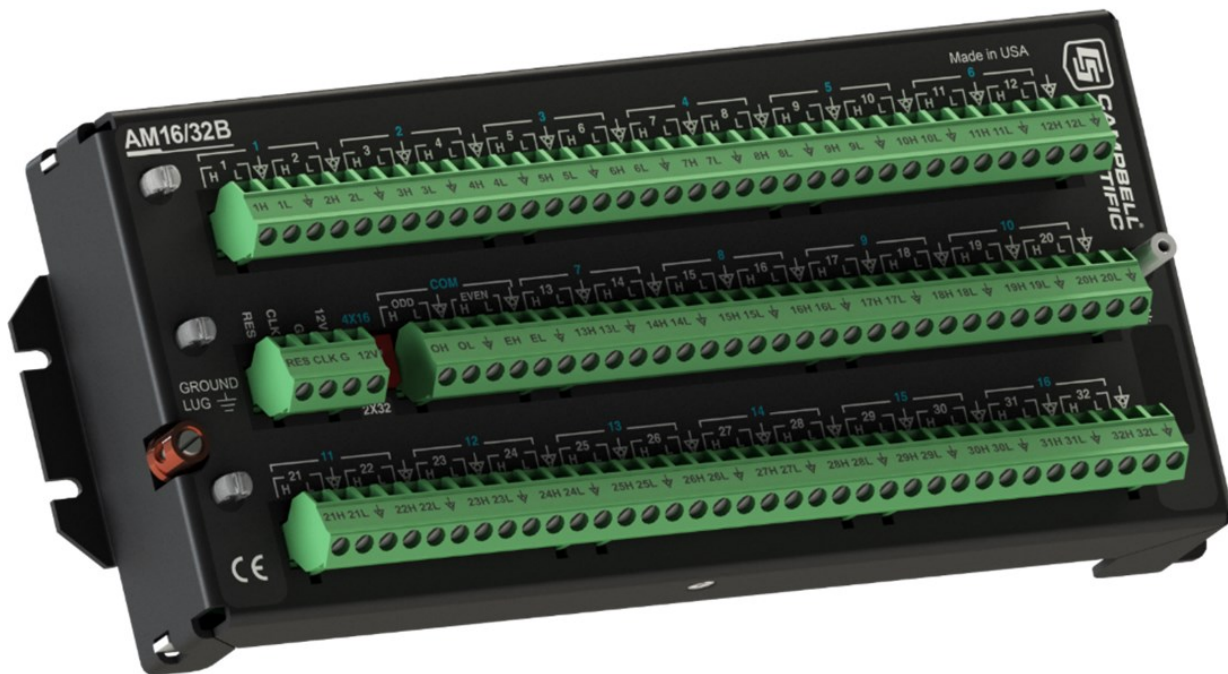




# AM16/32B

## Relay Multiplexer



# Please read first

---

## About this manual

Please note that this manual was produced by Campbell Scientific Inc. primarily for the North American market. Some spellings, weights and measures may reflect this. In addition, while most of the information in the manual is correct for all countries, certain information is specific to the North American market and so may not be applicable to European users. Differences include the U.S. standard external power supply details where some information (for example the AC transformer input voltage) will not be applicable for British/European use. Please note, however, *that when a power supply adapter is ordered from Campbell Scientific it will be suitable for use in your country.*

Reference to some radio transmitters, digital cell phones and aerials (antennas) may also not be applicable according to your locality. Some brackets, shields and enclosure options, including wiring, are not sold as standard items in the European market; in some cases alternatives are offered.

## Recycling information for countries subject to WEEE regulations 2012/19/EU



At the end of this product's life it should not be put in commercial or domestic refuse but sent for recycling. Any batteries contained within the product or used during the product's life should be removed from the product and also be sent to an appropriate recycling facility, per [The Waste Electrical and Electronic Equipment \(WEEE\) Regulations 2012/19/EU](#). Campbell Scientific can advise on the recycling of the equipment and in some cases arrange collection and the correct disposal of it, although charges may apply for some items or territories. For further support, please contact Campbell Scientific, or your local agent.

# Table of contents

---

<b>1. Introduction</b> .....	<b>1</b>
1.1 Typical applications .....	1
1.2 Compatibility .....	2
<b>2. Precautions</b> .....	<b>2</b>
<b>3. Initial inspection</b> .....	<b>3</b>
<b>4. QuickStart</b> .....	<b>3</b>
<b>5. Overview</b> .....	<b>10</b>
<b>6. AM16/32B specifications</b> .....	<b>11</b>
<b>7. Installation</b> .....	<b>13</b>
7.1 Wiring to data logger .....	14
7.1.1 Control terminals .....	14
7.1.2 COM terminals .....	15
7.1.3 Measurement terminals .....	15
7.2 Grounding .....	16
7.3 Power supply .....	16
7.4 Installation in enclosure .....	16
<b>8. Operation</b> .....	<b>17</b>
8.1 Programming .....	19
8.1.1 Short Cut programs .....	19
8.1.2 Using CRBasic MuxSelect() instruction .....	21
8.1.3 General programming considerations .....	21
8.1.4 Mixed sensor types .....	22
8.2 General measurement considerations .....	22
8.2.1 Long cable lengths .....	22
8.2.2 Completion resistors .....	22
8.2.3 Contact degradation .....	22

<b>Appendix A. Importing Short Cut code into CRBasic Editor</b> .....	<b>23</b>
<b>Appendix B. Example measurements and programs</b> .....	<b>24</b>
B.1 Single-ended voltage measurement .....	24
B.2 Differential voltage measurement .....	26
B.3 Half-bridge measurement .....	27
B.4 Full-bridge measurement .....	28
B.5 CS616 measurement .....	29
<b>Appendix C. Thermocouple measurement</b> .....	<b>31</b>
C.1 Measurement considerations .....	31
C.1.1 Reference junction .....	31
C.1.2 Data logger reference .....	31
C.1.3 AM16/32B reference .....	33
C.1.4 Thermal gradients .....	33


# 1. Introduction

---

The primary function of the AM16/32B multiplexer (also known as a mux) is to increase the number of sensors that can be measured by CR6, CR3000, CR1000X, CR800-series, CR300-series, and CR1000 data loggers. The AM16/32B is positioned between the sensors and the data logger. Mechanical relays in the AM16/32B connect each of the sensor channels in turn to a common output to the data logger. The user program advances the multiplexer through the sensor channels, making measurements and storing data.


A slide switch located on the AM16/32B top panel selects one of two modes of operation. In 2x32 mode, the multiplexer adds 32 terminal pairs. In 4x16 mode, it adds 16 terminal groups with four terminals each. The data logger program is written according to the selected mode and the sensors to be measured.

The maximum number of sensors multiplexed by an AM16/32B depends primarily on the type(s) of sensors to be measured.

For more information on using a multiplexer, watch a video at [www.campbellsci.com/videos/multiplexer](http://www.campbellsci.com/videos/multiplexer) .

## NOTE:

This manual provides information for CRBasic data loggers and AM16/32Bs with serial numbers greater than 5056.

For Edlog and other retired data logger support, or for specifications for AM16/32Bs with serial numbers less than 5056, see an older version of this manual at [www.campbellsci.com/old-manuals](http://www.campbellsci.com/old-manuals) .

## 1.1 Typical applications

The AM16/32B is intended for use in applications where more terminals are needed than the data logger has available. Most commonly, the AM16/32B is used to multiplex analog sensor signals, although it can also be used to multiplex switched excitations, continuous analog outputs, or even certain pulse counting measurements (those that require only intermittent sampling). It is also possible to multiplex sensors of different, but compatible, types (see [Mixed sensor types](#) [p. 22]).

## 1.2 Compatibility

The AM16/32B is compatible with Campbell Scientific CR6, CR3000, CR1000X, CR800-series, CR300-series, and CR1000 data loggers.

The AM16/32B is compatible with a wide variety of commercially available sensors. As long as relay contact current maximums are not exceeded (see [Precautions](#) [p. 2]), and no more than four lines are switched at a time, system compatibility for a specific sensor is determined by sensor-data logger compatibility.

### NOTE:

The AM16/32B is also compatible with the VOLT 108 and VOLT 116 24-bit analog input modules by using the CRBasic `CDM_MuxSelect()` instruction. Refer to the *CRBasic Editor* Help for information on using the AM16/32B with these modules. The VOLT Series manual includes a sample program for the VOLT 108 and the AM16/32B.

## 2. Precautions

The AM16/32B is not designed to multiplex power. Its intended function is to switch low-level analog signals. Switched currents in excess of 30 mA will degrade the relay contacts, rendering that channel unsuitable for further low-level analog measurements. Customers who need to switch power are directed to the Campbell Scientific SDM-CD16ACA relay, which allows a data logger to automatically activate external AC or DC devices. Additionally, the SDM-CD8S and SDM-CD16S models offer DC voltage outputs that can be switched on and off.

Changing the setting of the mode switch from 4x16 to 2x32 connects **COM ODD H** to **COM EVEN H** and also **COM ODD L** to **COM EVEN L**. After wiring the AM16/32B, exercise due care to avoid inadvertently putting excess voltage on a line or short-circuiting a power supply, which might damage connected devices such as the data logger, wiring panel, sensor, or multiplexer and would not be covered under warranty.

# 3. Initial inspection

---

- The AM16/32B ships with:
  - 4 grommets
  - 4 screws
- Upon receipt of the AM16/32B, inspect the packaging and contents for damage. File damage claims with the shipping company.
- Thoroughly check all packaging material for product that may be concealed. Check model number, part numbers, and product descriptions against the shipping documents. Model or part numbers are found on each product. On cables, the number is often found at the end of the cable that connects to the measurement device. Ensure that the expected lengths of cables were received. Contact Campbell Scientific immediately if there are any discrepancies.

# 4. QuickStart

---

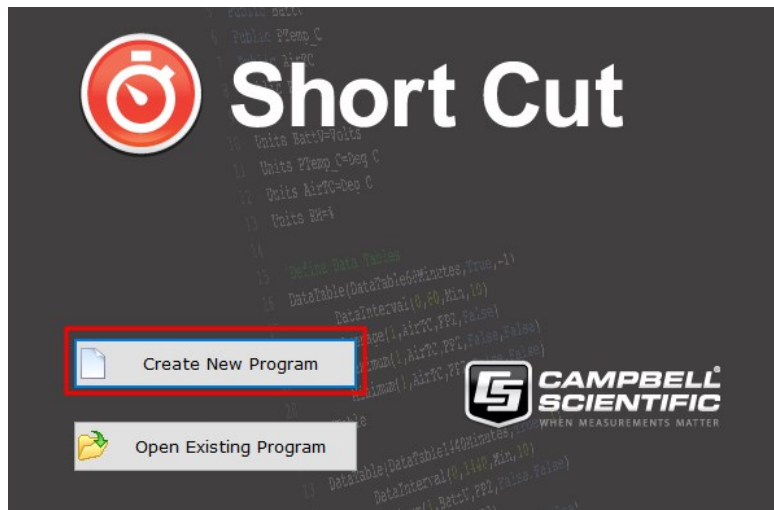
*Short Cut* is an easy way to program the data logger to make measurements through an AM16/32B multiplexer. *Short Cut* is included in installations of *LoggerNet*, *RTDAQ*, and *PC400*. It is also available as a download on [www.campbellsci.com](http://www.campbellsci.com). *Short Cut* supports the CR6, CR3000, CR1000X, CR800-series, and CR1000 data loggers when creating a program to take measurements through an AM16/32B. *Short Cut* does not include support for programming the CR300-series to use the AM16/32B. To use the AM16/32B with the CR300 series, the program must be created in the *CRBasic Editor*. See [Single-ended voltage measurement](#) (p. 24) and [Differential voltage measurement](#) (p. 26) for CR300-series programming examples.

This section will demonstrate programming a data logger to measure 6 Campbell Scientific 107 temperature sensors using a multiplexer. With minor changes, these steps can also be applied to other measurements and data loggers.

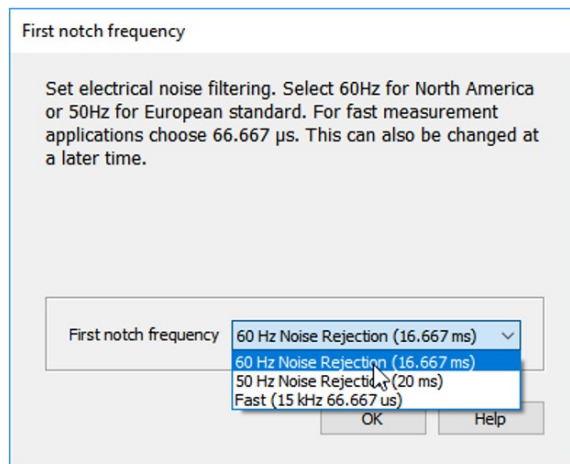
Open *Short Cut*. From the *LoggerNet* toolbar, click **Program** > **Short Cut**. In *PC400*, click on the *Short Cut* icon.



Select **Create New Program**.

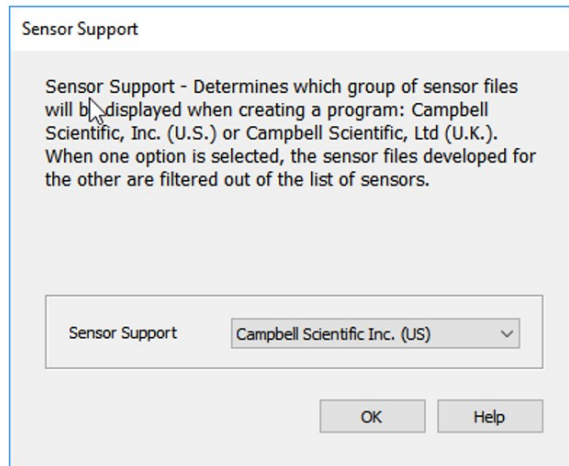


**NOTE:** The first time *Short Cut* is run, a prompt will appear asking for a choice of first notch frequency. Select **60 Hz Noise Rejection** for the United States and areas using 60 Hz AC voltage. Select **50 Hz Noise Rejection** for most of Europe and areas that operate at 50 Hz.

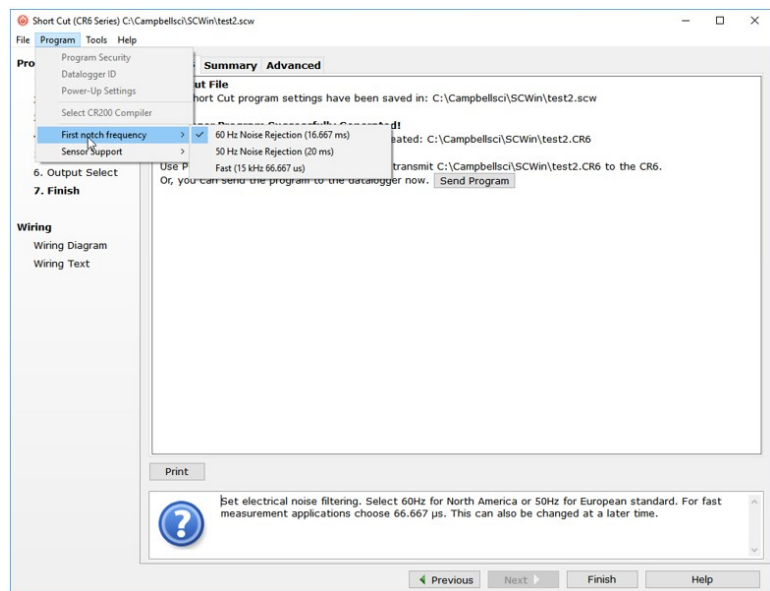




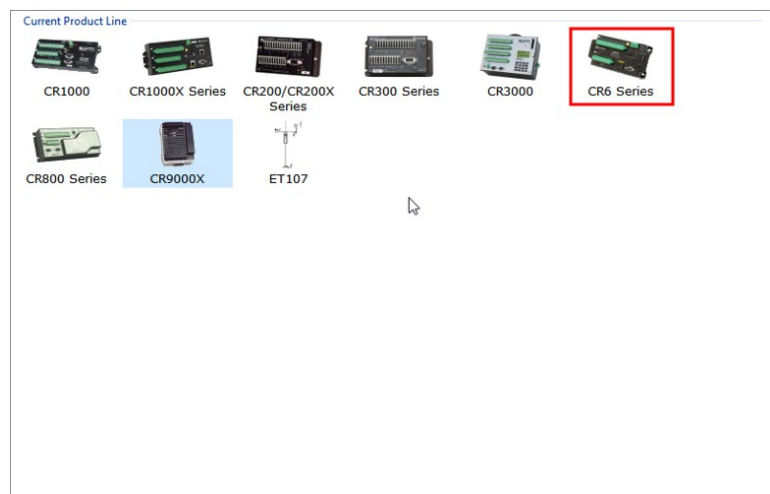
A second prompt lists sensor support options. **Campbell Scientific, Inc. (US)** is the best option outside Europe.



To change the first notch frequency or sensor support option for future programs, use the **Program** menu.



Select the data logger model in the **Datalogger Model** drop-down list. This tutorial uses the CR6-series data logger.



The **Progress Bar** is used to track the progress of the program being created. It is also used to jump directly to any step in the programming process.

**Progress**

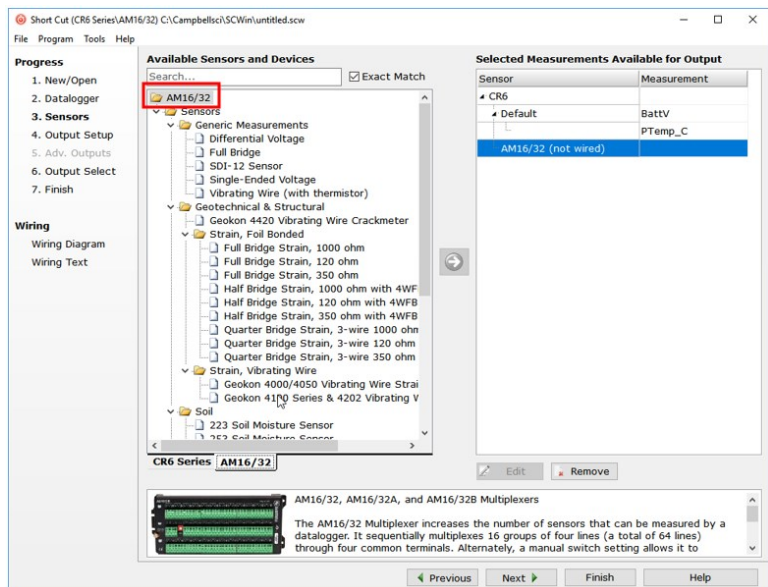
1. New/Open
2. Datalogger
- 3. Sensors**
4. Output Setup
5. Adv. Outputs
6. Output Select
7. Finish

**Wiring**

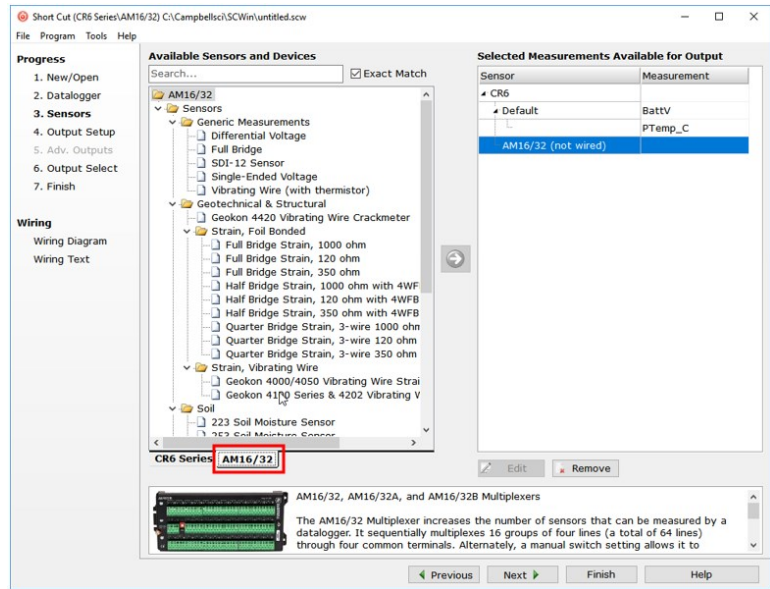
Wiring Diagram

Wiring Text

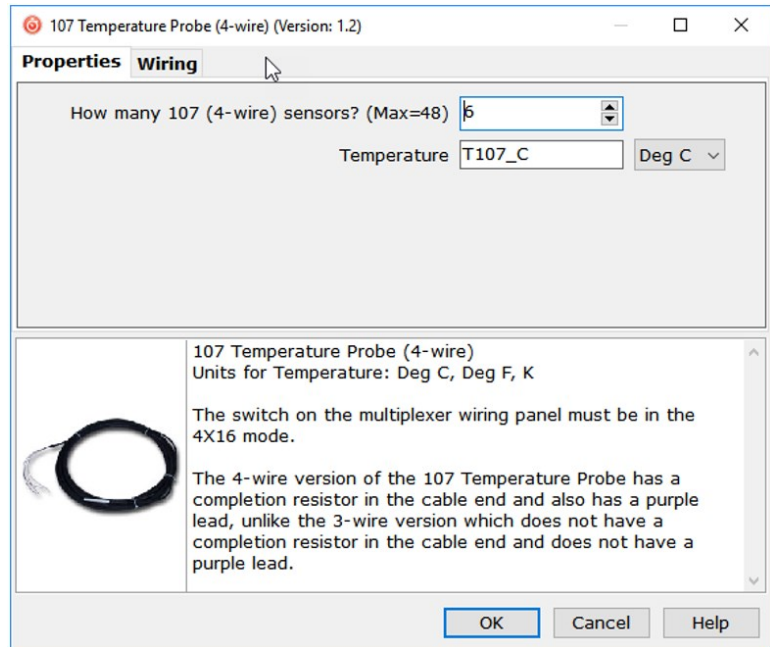
The next window displays **Available Sensors and Devices**. Expand a folder by clicking on the symbol. Expand the **Devices** folder, then double-click on the **AM16/32** to add it to the **Selected** panel.



When the AM16/32 multiplexer is added as a device, a new **AM16/32** tab will appear at the bottom of the **Available Sensors and Devices** pane. With the **AM16/32** tab selected, select the **Sensors > Temperature** subfolder. Doubleclick on **107 Temperature Probe (4-wire)**.

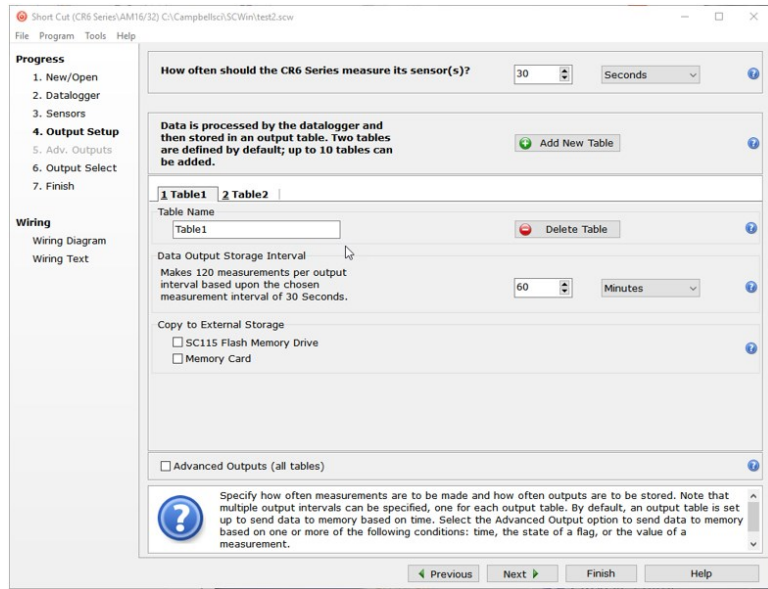


In the resulting window, enter the number of 107 temperature probes to measure on this AM16/32B multiplexer. For this tutorial, enter **6** as the number of 107 (4-wire) sensors to add. Click **OK** in the dialog window to accept the default name of **T107\_C** and the default units of **Deg C**.

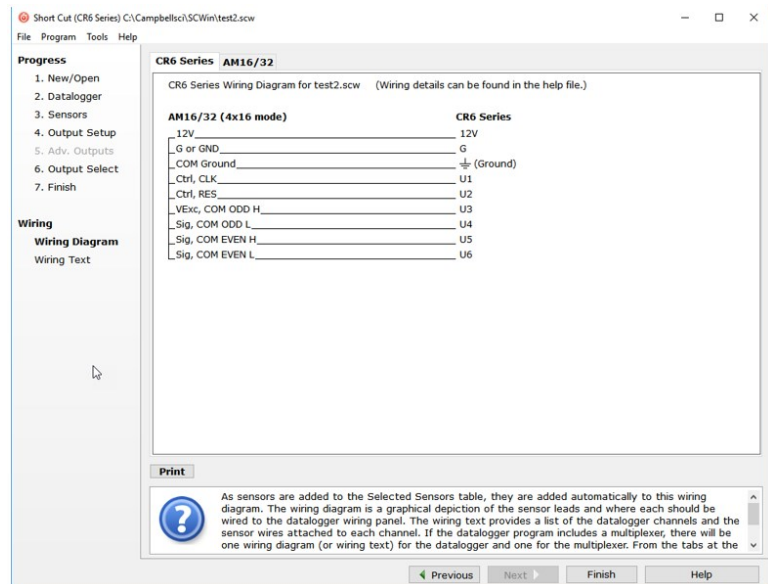


In the **Scan Interval** box, enter how frequently the data logger should make measurements. When measuring with an AM16/32B multiplexer, an interval of 30 seconds or longer is recommended. Enter **30** and select **Seconds**.

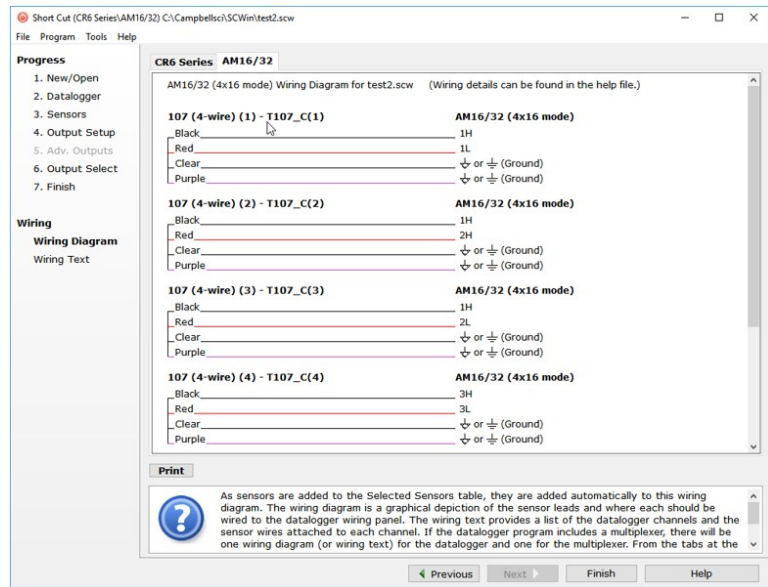
Click **Next**.



After adding the measurements, click **Wiring Diagram** to see how the sensors are wired to the AM16/32B and how the AM16/32B is wired to the data logger. The data logger tab (**CR6 Series** in this example) shows the connection between the AM16/32B and the data logger, and the **AM16/32** tab shows the sensor connection to the AM16/32B.



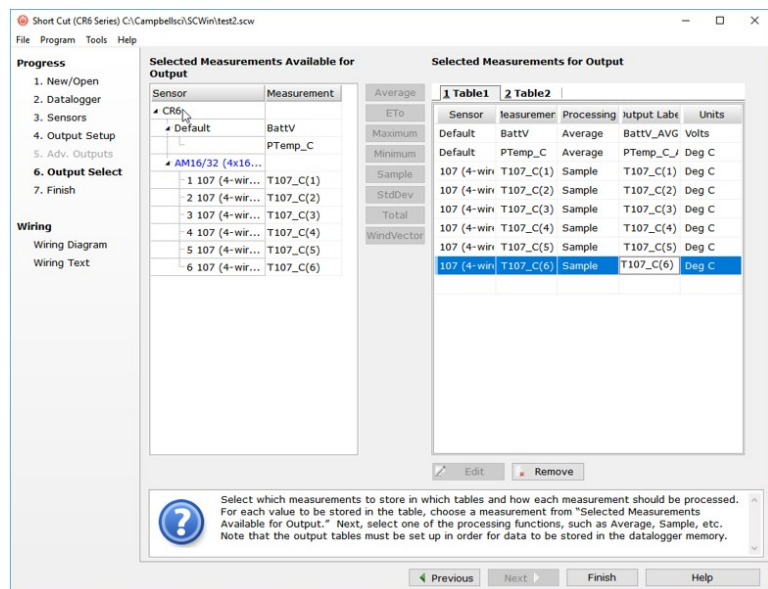
With power disconnected, wire the sensors and devices as shown in the wiring diagrams. Insert the wires, taking care to tighten the terminals on the conductors themselves, not the insulation.



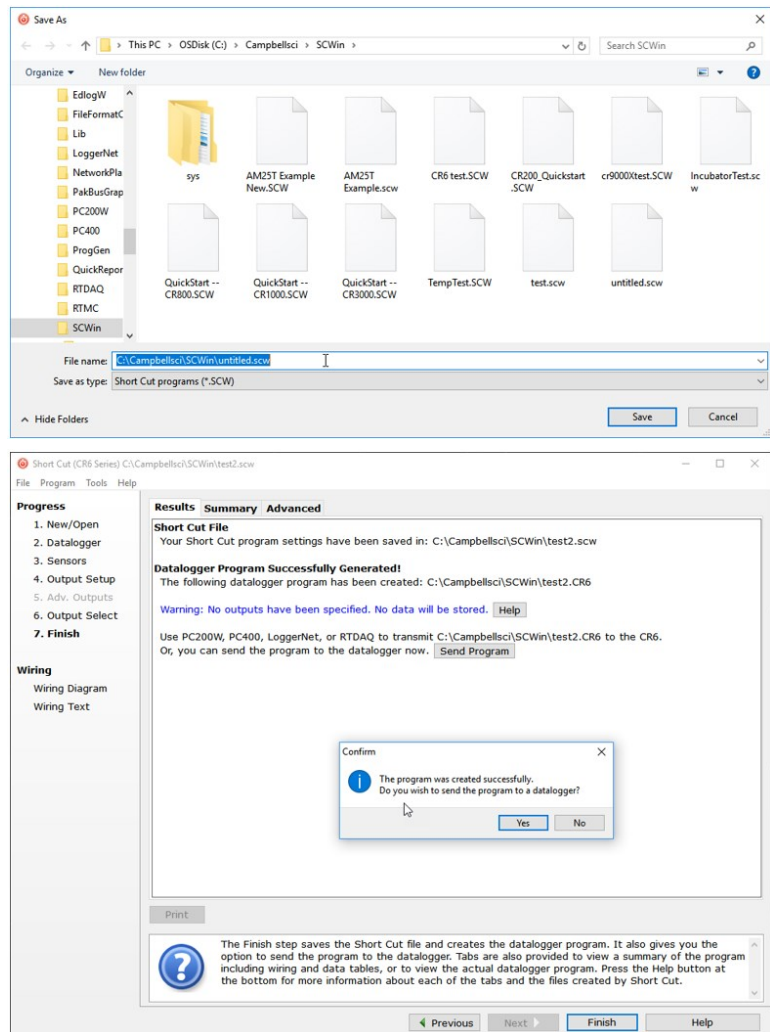
Click on **Sensors** in the **Progress** list to return to the sensor-selection screen.

Select any other sensors being installed in the **Sensors** section. Add sensors to the data logger by selecting the data logger tab (**CR6** in this example). Add sensors to the multiplexer by selecting the **AM16/32** tab.

Finish the remaining *Short Cut* steps to complete the program. The remaining steps are outlined in *Short Cut Help*, which is accessed by clicking on **Help > Short Cut Help > Contents > Programming Steps**.



If *LoggerNet*, *RTDAQ*, or *PC400* is running on the computer and the computer-to-data-logger connection is active, click **Finish** in *Short Cut*, and a prompt will appear to send the program just created to the data logger.



After powering on and sending the program to the data logger, check the output of sensors in the data logger support software data display to make sure the measurements are within the expected range.

## 5. Overview

Under data logger control, the AM16/32B sequentially connects terminal pairs or groups to data logger terminals. This effectively expands the number of terminals available on a data logger.

Figure 5-1 (p. 11) shows the wiring panel of the AM16/32B multiplexer. The group of four terminals located near the mode switch are dedicated to the connection of data logger power and control lines. **COM ODD** and **EVEN** terminals on the other side of the mode switch carry multiplexed signals destined for data logger terminals. The remaining terminals on the AM16/32B are for



sensor and sensor-shield connections. All of the inputs of the AM16/32B are protected against surges with transient suppression. Data-logger-to-AM16/32B cabling requires a minimum of six and as many as nine individually insulated wires with shields.

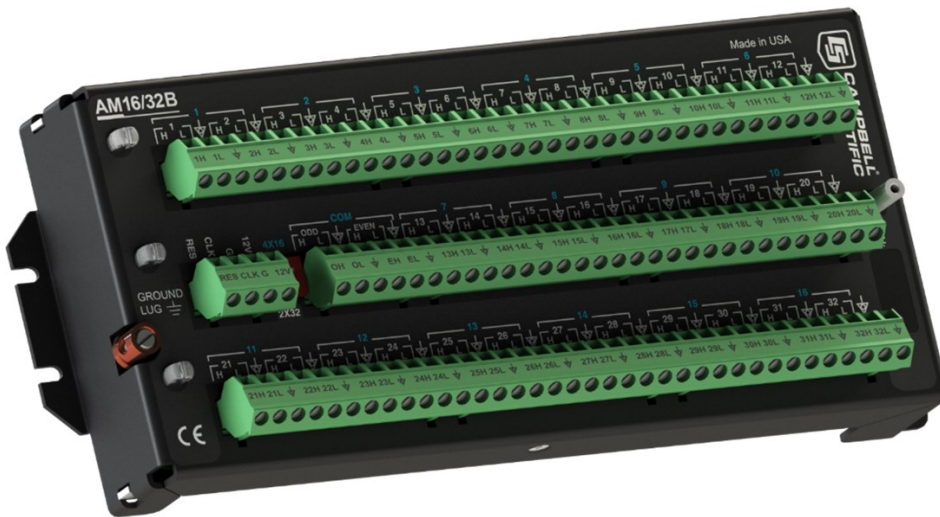


Figure 5-1. AM16/32B Relay Multiplexer

## 6. AM16/32B specifications

Power <sup>1, 2</sup> :	Unregulated 9.6 to 16 VDC
Current drain	
Quiescent:	< 210 $\mu$ A
Active:	6 mA typical in 2x32 mode 11 mA typical in 4x16 mode
Reset (RES) <sup>1</sup> :	A continuous signal between 3.3 VDC and 8 VDC holds the AM16/32B in an active state (where a clock pulse can trigger a channel advance). A signal voltage < 0.9 VDC deactivates the AM16/32B (clock pulse will not trigger a channel advance; AM16/32B is also reset).
Clock (CLK) <sup>1</sup> :	On the transition from <1.5 V to >3.3 V, a channel advance is actuated on the leading edge of the clock signal; clock pulse should be a minimum of 1 ms wide; maximum voltage is 8 VDC.

## Operational temperature

**Standard:** –25 to 50 °C

**Extended:** –55 to 85 °C

**Operational humidity:** 0 to 95%, non-condensing

## Dimensions

**Length:** 23.9 cm (9.4 in)

**Width:** 10.2 cm (4.0 in)

**Depth:** 4.6 cm (1.8 in)

**Weight:** 680 g (1.5 lb) (approx.)

**Mounting tab hole spacing:** 1 x 3 x 9 in. Up to 1/8 in or 3 mm diameter screws

**Expandability<sup>3</sup> (nominal):** 4 AM16/32Bs per CR6  
4 AM16/32Bs per CR3000  
4 AM16/32Bs per CR1000X  
2 AM16/32Bs per CR800/CR850  
1 AM16/32B per CR300  
4 AM16/32Bs per CR1000

**Maximum cable length:** Depends on sensor and scan rate. In general, longer cable lengths necessitate longer measurement delays. Refer to data logger and sensor manuals for details.

**Maximum switching current<sup>4</sup>:** 500 mA

## Contact specifications

**Initial contact resistance:** <0.1 Ω max.

**Initial contact bounce:** <1 ms

**Contact material:** Silver Palladium

**Wiper to N.O. contact capacitance:** 0.5 pF

**Typical low-current (<30 mA) life:** 5 x 10<sup>7</sup> operations


**Maximum contact voltage rating:** 70 V




## Relay Switching

Thermal emf:	0.3 $\mu$ V typical; 0.5 $\mu$ V maximum
Operate time:	<10 ms over temperature and supply ranges Break-before-make guaranteed by design. Relays disengage from previous selected channel before engaging next channel.

## ESD

Air discharge:	Complies with IEC61000-4-2, test level 4 ( $\pm$ 15 kV)
Contact discharge:	Complies with IEC61000-4-2, test level 4 ( $\pm$ 8 kV)
Surge:	Complies with IEC61000-4-5, test level 3 ( $\pm$ 2 kV, 2 ohms coupling impedance)
Compliance:	View EU Declaration of Conformity at <a href="http://www.campbellsci.com/am16-32b">www.campbellsci.com/am16-32b</a> 

<sup>1</sup> The Reset, Clock, and +12V terminals are protected by 18-volt TVS diodes.

<sup>2</sup> For power specifications on serial numbers less than 5056, refer to an older version of this manual at [www.campbellsci.com/old-manuals](http://www.campbellsci.com/old-manuals) .

<sup>3</sup> Assumes sequential activation of multiplexers and that each data logger channel is uniquely dedicated. If the application requires additional multiplexing capability, please consult Campbell Scientific for application assistance.

<sup>4</sup> Switching currents greater than 30 mA (occasional 50 mA current is acceptable) will degrade the contact surfaces of the mechanical relays and increase their resistance. This will adversely affect the suitability of these relays to multiplex low voltage signals. Although a relay used in this manner no longer qualifies for low voltage measurement, it continues to be useful for switching currents in excess of 30 mA.

# 7. Installation

---

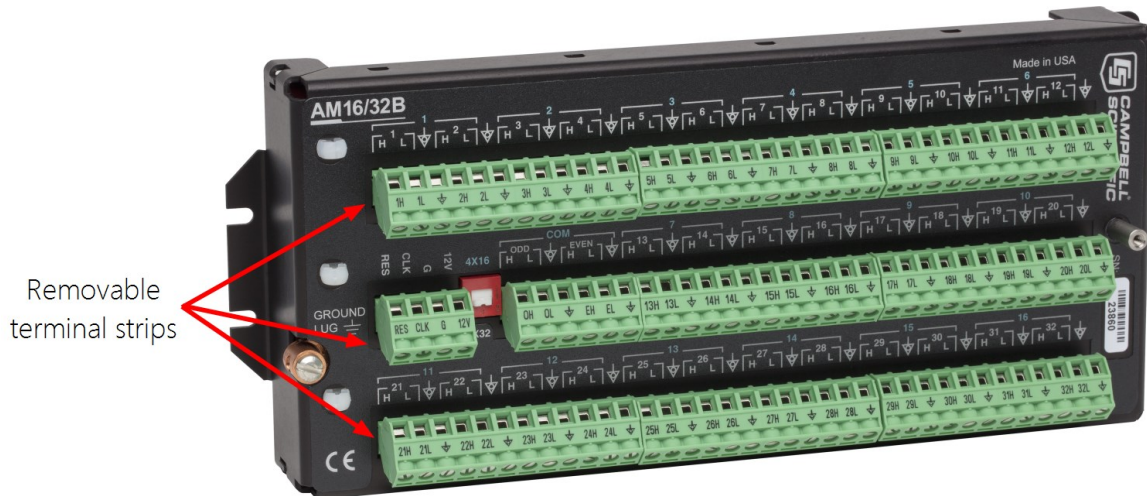
If using *Short Cut* to program the data logger, skip [Wiring to data logger](#) (p. 14). *Short Cut* creates the wiring diagram. See [QuickStart](#) (p. 3) for a *Short Cut* tutorial.


<a href="#">7.1 Wiring to data logger</a> .....	14
<a href="#">7.1.1 Control terminals</a> .....	14
<a href="#">7.1.2 COM terminals</a> .....	15
<a href="#">7.1.3 Measurement terminals</a> .....	15
<a href="#">7.2 Grounding</a> .....	16

7.3 Power supply .....	16
7.4 Installation in enclosure .....	16

## 7.1 Wiring to data logger

Removable terminal strips allow wiring to remain intact while the multiplexer is used elsewhere. The green terminal strips are easily removed; no tools are required. Replacement terminal strips may be purchased from Campbell Scientific.



For more information on wiring a data logger to a multiplexer, watch a video at [www.campbellsci.com/videos/wiring-a-datalogger-to-a-multiplexer](http://www.campbellsci.com/videos/wiring-a-datalogger-to-a-multiplexer) .

### 7.1.1 Control terminals

Table 7-1 (p. 14) shows control connections to Campbell Scientific data loggers.

Control terminal	Function	Data logger connection terminal
12V	Power	12V
G	Power ground	G (power ground)
CLK	Clock	C (control port) or U <sup>1</sup> (universal) terminal configured for control
RES	Reset	C or U <sup>1</sup> terminal configured for control

<sup>1</sup>U terminals are only available on the CR6 data logger.

## 7.1.2 COM terminals

The four terminals dedicated to multiplexer-data-logger connection are located under the blue COM label next to the mode switch. The terminals are labeled: **ODD H/L** and **EVEN H/L**. In 4x16 mode, the AM16/32B maintains the four **COM** terminals electrically isolated from one another. In 2x32 mode, the AM16/32B maintains an internal connection between **ODD H** and **EVEN H** and between **ODD L** and **EVEN L**. The way the **COM** terminals are connected to the data logger terminals determines the function of the measurement terminals. For proper function, these terminals must be wired according to the measurement instructions in the CRBasic program. See [Operation](#) (p. 17) for details and [Example measurements and programs](#) (p. 24) for examples.

Common  $\nabla$  terminals are provided next to the **COM ODD** and **COM EVEN** terminals. They connect internally to the other thirty-two  $\nabla$  terminals on the AM16/32B and are connected at all times (not switched). Their function is to provide a path to ground for sensor cable shields. A **COM  $\nabla$**  terminal should be wired to data logger ground ( $\perp$ ) as shown in [Figure 7-1](#) (p. 15).

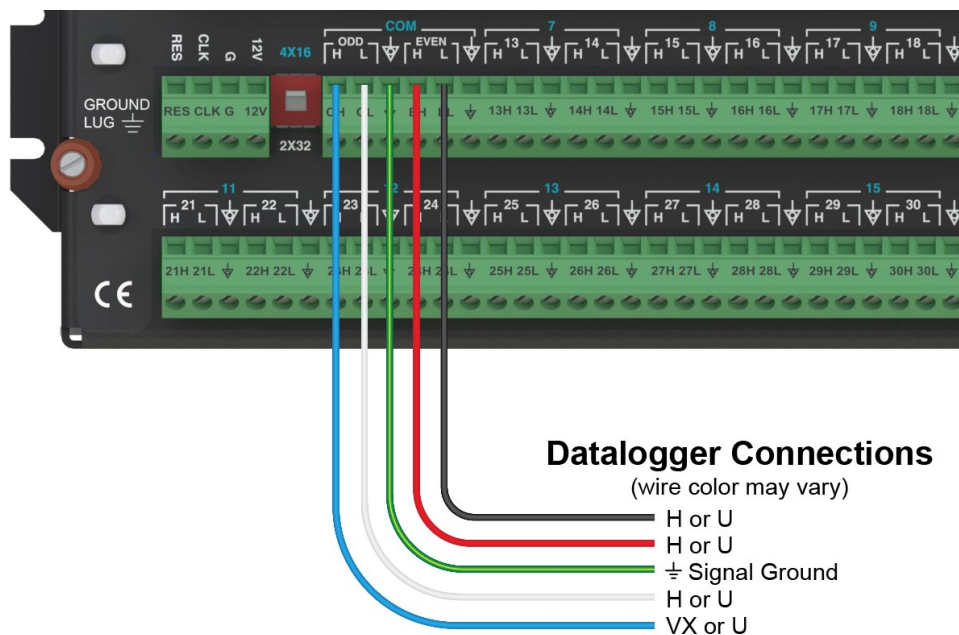


Figure 7-1. Example of AM16/32B-to-data-logger signal connection (4x16 mode)

## 7.1.3 Measurement terminals

Wire sensors and transducers according to the **COM** terminal connections and the measurement instructions in the CRBasic program. See [Operation](#) (p. 17) for details and [Example measurements and programs](#) (p. 24) for examples.

## 7.2 Grounding

Connect the AM16/32B ground lug to earth ground via an 8 AWG wire. Keep this connection as short as possible. The ground lug provides a path to dissipate surges that might propagate on a sensor shield line. A 35 V varistor is connected internally between the shield ground and the ground lug to provide surge suppression.

The AM16/32B **GND** terminal is connected to data logger power ground. Additionally, the AM16/32B **GND** terminal is connected to the cable shield, which in turn connects to the data logger power supply ground (see [Table 7-1](#) [p. 14]). If a separate power supply is used, connect the AM16/32B ground to the power supply ground. Connect an AM16/32B **COM** terminal to a data logger signal ground ( $\oplus$ ) using the cable that connects the **COM** terminals (see [Figure 7-1](#) [p. 15]).

## 7.3 Power supply

The AM16/32B requires a continuous power supply for operation. The positive side of the power supply is connected to **12V**, and the negative side is connected to **G**. Connect the **G** wire first for safety.

The average power required to operate an AM16/32B depends on the percentage of time it is active. At a minimum, the power supply must be able to sustain the system between site visits, considering the worst environmental extremes. Refer to the application note [Power Supplies](#) and the video [Power Budgeting](#), both available at [www.campbellsci.com](http://www.campbellsci.com), for more help with selecting a power supply.

## 7.4 Installation in enclosure

Protect the AM16/32B from moisture. Moisture in the electronics will seriously damage the AM16/32B. In most cases, protection from water is easily accomplished by placing the AM16/32B in a weathertight enclosure with desiccant and elevating the enclosure above the ground. Desiccant in enclosures should be changed periodically. Use a humidity indicator card inside the enclosure to determine when the desiccant needs to be replaced.

Mount the AM16/32B to an enclosure backplate by inserting the included screws through the mounting holes in the AM16/32B and into the included grommets.

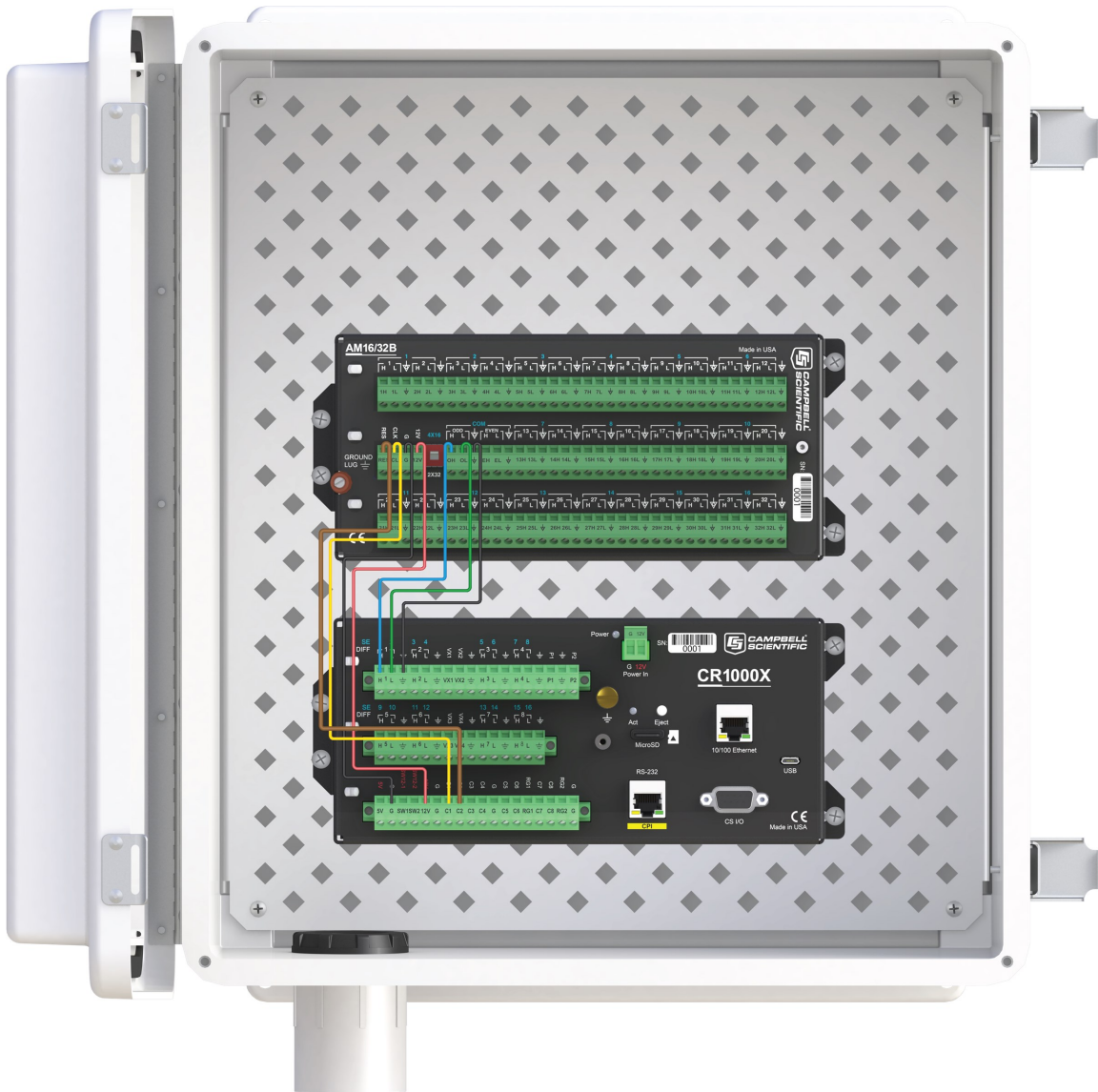


Figure 7-2. Example of an AM16/32B multiplexer and a CR1000X data logger mounted in an enclosure. In this example, the wiring between the AM16/32B and the data logger is configured for differential voltage measurements. Refer to [Example measurements and programs](#) (p. 24) for guidance linking the AM16/32B to a data logger for other sensor types.

## 8. Operation

The reset (**RES**) line is used to switch on the AM16/32B by applying 3.3 to 8 VDC. When this line drops lower than 0.9 VDC, the multiplexer enters a low-power, low current-drain state. In the

low-power state, the common (**COM**) terminals are electrically disconnected from all the sensor input channels. Always connect **RES** to a data logger terminal configured for control.

The **MuxSelect()** instruction is used to turn on the AM16/32B and advance to the channel specified in the instruction. When the instruction is first executed, the **COM** terminals are switched to connect with the first set of measurement terminals according to the mode switch, either **4x16** or **2x32**. Measurement instructions are run within a **SubScan()/NextSubScan** construct. **PulsePort()** at the end of the SubScan switches (or clocks) to the next set of measurement terminals by sending a pulse on **CLK**. The voltage level must fall below 1.5 VDC and then rise above 3.3 VDC to clock the multiplexer.

Once the measurements are complete, **PortSet()** returns the AM16/32B to a low-power state. Example programs using the **MuxSelect()** instruction are found in [Example measurements and programs](#) (p. 24).

Another method of operation involves using the **PortSet()** instruction in place of **MuxSelect()**. This approach is typically used when creating programs in *Short Cut* or migrating a program from the older AM16/32 or AM16/32A multiplexers. The program created in [QuickStart](#) (p. 3) uses the **PortSet()** instruction.

The terminals for sensor attachment are divided into 16 groups when the mode switch is set to **4x16** or into 32 groups when the mode switch is set to **2x32**. The groups consist of four or two Simultaneously Enabled Terminals (SETs). With the mode switch set to **4x16**, the blue channel numbers apply. The SETs are numbered starting at **1 (1H, 1L, 2H, 2L)** and continuing until **SET 16 (31H, 31L, 32H, 32L)**.

In **4x16** mode, the odd-numbered terminals (example: **5H, 5L**) are relay-switched to the **COM ODD** terminals while the even terminals (**6H, 6L**) are switched to the **COM EVEN** terminals. As the AM16/32B receives clock pulses from the data logger, each SET of four terminals is sequentially switched into contact with the four **COM** terminals when activated by the RES line. For example, upon receiving the first clock pulse from the data logger, **SET 1** (consisting of **1H, 1L, 2H, and 2L**) is connected to the **COM ODD H, ODD L, EVEN H, and EVEN L** terminals, respectively. When the second clock pulse is received, the first SET is switched out (**SET 1** sensor inputs become open circuits), and **SET 2 (3H, 3L, 4H, 4L)** are connected to the four **COM** terminals. Each SET is typically connected to the common terminals for 10 ms.

With the mode switch set to **2x32**, the white channel numbers apply. The SETs are labeled beginning with **1H, 1L** and ending with **32H, 32L**. In **2x32** mode, when the AM16/32B selects a given channel, the **H** terminal is relay-connected to both **COM H** terminals, and the **L** sensor terminal is connected to both **COM L** terminals.



# 8.1 Programming

The following sections describe the available programming methods and general considerations for programming and measuring with the AM16/32B.

8.1.1 Short Cut programs .....	19
8.1.2 Using CRBasic MuxSelect() instruction .....	21
8.1.3 General programming considerations .....	21
8.1.4 Mixed sensor types .....	22

## 8.1.1 Short Cut programs

In most cases, *Short Cut* is the best way to create or begin data logger programs for the AM16/32B multiplexer. See [QuickStart](#) (p. 3) for a *Short Cut* tutorial. The details that follow pertain to CRBasic programs generated by *Short Cut*.

**NOTE:**

To accommodate the AM16/32 and AM16/32A, *Short Cut* adds a delay of 150 ms after enabling the multiplexer. This delay is not required for the AM16/32B and may be deleted to increase the speed of the program.

When programming with *Short Cut*, three instructions operate the multiplexer: 1) the [PortSet\(\)](#) instruction enables or disables the multiplexer, 2) the [SubScan\(\)/NextSubScan](#) instruction begins/ends the measurement loop, and 3) the [PulsePort\(\)](#) instruction clocks through the measurement channels. The CRBasic program must also specifically increment an index variable and use that variable to determine where each measurement is stored. The generalized programming sequence follows:

```

'Turn AM16/32B Multiplexer on
PortSet(C2,1)
'Delay command inserted by Short Cut.
'Not required by AM16/32B and may be removed to increase program speed.
Delay(0,150,mSec)
'Reset counter
LCount=1
'Begin measurement loop
SubScan(0,uSec,5) 'measures 5 sets
'Switch to next AM16/32B Multiplexer channel
PulsePort(C1,10000)
'Make measurements
'Increment counter according to measurement mode
LCount=LCount+1
NextSubScan
'Turn AM16/32 Multiplexer off
PortSet(C2,0)

```

The **SubScan()** instruction is used to create a measurement loop for the multiplexer. The third parameter of the **SubScan()** instruction, **Count**, specifies the number of sets on the multiplexer that will be used. For example, if the instruction is **SubScan(0,  $\mu$ Sec, 7)** and the multiplexer is in 2x32 mode, the first seven terminal pairs (numbers in white) on the multiplexer will be used. When in 4x16 mode, this instruction will use the first seven groups of four (numbers in blue) on the multiplexer.

It may be desirable to use the repetition parameter, **Reps**, of the measurement instructions between **SubScan()** and **NextSubScan**. The repetitions parameter is the number of sensors per instruction that will be measured. See the following examples:

### Example 1

```

'Example 1
LCount = 1
SubScan (0,uSec,7)
PulsePort (C1,10000)
VoltDiff (Dest(LCount),1,mV5000,1,True ,0,60,1.0,0)
LCount = LCount + 1
NextSubScan

```

In this example, one measurement is made per **VoltDiff()** instruction because the instruction has a repetition parameter of **1** (the second parameter in the **VoltDiff()** instruction). With the multiplexer in 2x32 mode, differential voltage measurements will be made on the first seven 2x32 terminal pairs because the **Count** parameter of the **SubScan()** instruction is **7**.



## Example 2

```
'Example 2
LCount = 1
SubScan (0,uSec,7)
  PulsePort (C1,10000)
  VoltDiff (Dest(LCount),2,mV5000,1,True ,0,60,1.0,0)
  LCount = LCount + 2
NextSubScan
```

With the multiplexer in 4x16 mode, differential voltage measurements will be made on the first seven 4x16 terminal groups because the Count parameter of the `SubScan()` instruction is 7. Two differential sensors are measured per terminal group because the `VoltDiff()` instruction has a repetition parameter of 2. Thus, a total of 14 differential voltage measurements will be made (2 measurement per subscan × 7 subscons = 14).

## 8.1.2 Using CRBasic `MuxSelect()` instruction

The CRBasic `MuxSelect()` instruction is used to enable the multiplexer and select a specific channel to begin measurements. This can simplify the data logger program by making one set of measurements at a time. Use the `PulsePort()` instruction to advance the multiplexer and the `PortSet()` instruction to disable it. The generalized programming sequence follows:

```
'Turn AM16/32B Multiplexer on, C1-CLK, C2-RES
'Advance to first measurement channel in SET 1
MuxSelect (C1, C2 ,20,1,1)
'Make SET 1 measurements
  '<insert measurement instruction(s)>
'Advance to first measurement channel in SET 2
PulsePort (C1 ,10000) 'move to Set 2
'Make SET 2 measurements
  '<insert measurement instruction(s)>
'Advance to first measurement channel in SET 3
PulsePort (C1 ,10000) 'move to Set 3
'Make SET 3 measurements
  '<insert measurement instruction(s)>
'Turn AM16/32 Multiplexer off
PortSet(C2,0)
```

For measurement and program examples, see [Example measurements and programs](#) (p. 24).

## 8.1.3 General programming considerations

The excitation voltage, integration time, delay time for measuring the signal, and the speed at which the channels are advanced can all be adjusted within the data logger program. Generally, longer delay times are needed when sensors and the data logger are connected by longer cable lengths. For more information, refer to the data logger or sensor manual.

## 8.1.4 Mixed sensor types

In applications where sensor types are mixed, experienced programmers can create multiple configurations with one multiplexer, though it is preferred to use multiple multiplexers for these situations. When programming for mixed sensors on a single AM16/32B, it is especially important to verify that each measurement is accurate. Consult Campbell Scientific for application assistance when it is necessary to multiplex markedly different sensor types in an application.

## 8.2 General measurement considerations

The following sections discuss general measurement considerations, such as long cable lengths, completion resistors, and contact degradation.

8.2.1 Long cable lengths .....	22
8.2.2 Completion resistors .....	22
8.2.3 Contact degradation .....	22

### 8.2.1 Long cable lengths

Longer sensor-to-AM16/32B cables result in greater induced and capacitively coupled voltages (cross talk) between cable wires. It may also be necessary to program a delay within the measurement instruction to allow time for wire capacitances to discharge after advancing a channel, before the measurement is made. This can be done by increasing the `DeLay` parameter in the `PulsePort()` instruction or by adding a `DeLay()` instruction after the `PulsePort()` instruction. A delay of 20 ms or more is recommended.

### 8.2.2 Completion resistors

In some applications, it is advantageous to place completion resistors at the AM16/32B terminal strips. Certain sensors specific to the use of multiplexers are available from Campbell Scientific. Examples include soil moisture probes and thermistor probes.

### 8.2.3 Contact degradation

Once excitation in excess of 30 mA has been multiplexed, that channel relay contacts are unsuitable for further low voltage measurement. To prevent undue degradation, it is advisable to reserve certain channels for sensor excitation and use other channels for sensor signals.

Refer to [Precautions](#) (p. 2) for more information on contact degradation.

# Appendix A. Importing *Short Cut* code into *CRBasic Editor*

---


*Short Cut* creates a .DEF file that contains wiring information and a program file that can be imported into *CRBasic Editor*. By default, these files reside in the C:\campbellsci\SCWin folder.

Import *Short Cut* program file and wiring information into *CRBasic Editor*:

1. Create the *Short Cut* program, then save it. Click the **Advanced** tab then the **CRBasic Editor** button. Your program file will open in CRBasic with a generic name. Provide a meaningful name and save the CRBasic program. This program can now be edited for additional refinement.

**NOTE:**

Once the file is edited with *CRBasic Editor*, *Short Cut* can no longer be used to edit the program.

2. To add the *Short Cut* wiring information into the new CRBasic program, open the .DEF file located in the C:\campbellsci\SCWin folder. Copy the wiring information found at the beginning of the .DEF file.
3. Go into the CRBasic program and paste the wiring information at the beginning of the program.
4. In the CRBasic program, highlight the wiring information, right-click, and select **Comment Block**. This adds an apostrophe (') to the beginning of each of the highlighted lines, which instructs the data logger compiler to ignore those lines when compiling. The **Comment Block** feature is demonstrated at about 5:10 in the [CRBasic | Features](#) video .

# Appendix B. Example measurements and programs

---

This section provides guidance on connecting sensors to the AM16/32B multiplexer and linking the AM16/32B to a data logger. The following are examples only and should not be construed as the only way to make a particular measurement. See the measurement section of the data logger manual for more information on basic bridge measurements.

The figures in this section illustrate the sensor path through the AM16/32B to the data logger. The wire connections between the data logger and AM16/32B control terminals are not depicted in the figures. Rather, control wiring details are provided in the table, specifying the wiring for each example.

The programs use the `MuxSelect()` instruction to select the specified starting channel and turn the multiplexer on (High). Programs created with *Short Cut* will use the `PortSet()` instruction to turn the multiplexer on (High). While `PortSet()` is backward compatible with the older AM16/32 and AM16/32A, these older versions also require a 150 ms `Delay()` instruction immediately after the `PortSet()` instruction. Using `MuxSelect()` with the AM16/32B does not require the delay, allowing for faster operation. In all cases, `PortSet()` is used at the end of each scan to turn the multiplexer off (Low).

The example programs are downloadable from the Campbell Scientific website:

[www.campbellsci.com/downloads/am16-32b-example-programs](http://www.campbellsci.com/downloads/am16-32b-example-programs)<sup>↗</sup>. A single Zip archive contains all the example programs referenced in this manual.

Use the *CRBasic Editor* to view and edit the example programs.

## B.1 Single-ended voltage measurement

Figure B-1 (p. 25) shows a typical connection for single-ended voltage measurements. Using this method, a data logger can make up to 48 single-ended voltage measurements through a multiplexer.

Refer to the following downloadable example programs and Table B-1 (p. 25):

- Example B-1: CR300 single-ended measurements with the AM16/32B
- Example B-2: CR1000X single-ended measurements with the AM16/32B
- Table B-1 (p. 25): Provides the programs and wiring diagrams

Alternatively, use *Short Cut* to create the program. With minor adjustments, the CR1000X program can be used with the CR6, CR3000, CR800 series, or CR1000. In either case, the AM16/32B must be in 4x16 mode. View the program in the *CRBasic Editor*.

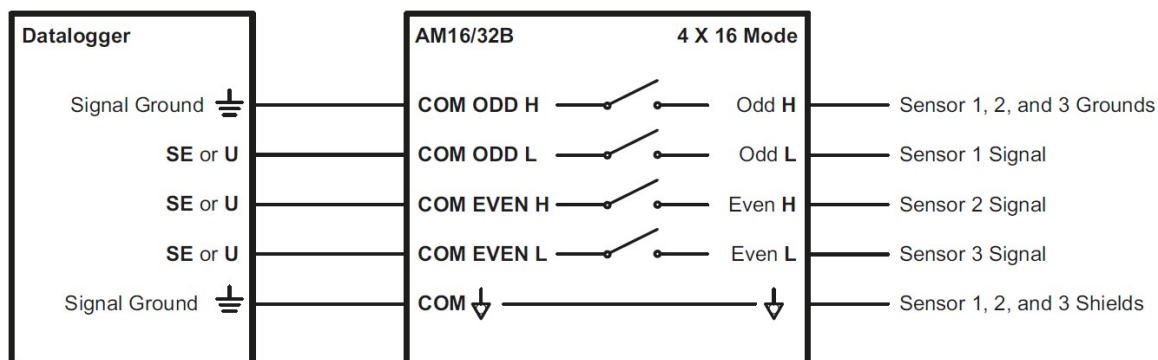


Figure B-1. Typical single-ended voltage measurement connection

**NOTE:**

U terminals are only available on the CR6 data logger.

Table B-1: Wiring for single-ended voltage measurements CRBasic example				
		AM16/32B in 4X16 mode		
CR1000X	CR300	Control and COM terminals	Measurement terminals	Sensors
⏏ (Signal Ground)	⏏ (Signal Ground)	COM ODD H	Odd-numbered H terminal	Sensor 1, 2, and 3 grounds
1H	1H	COM ODD L	Odd-numbered L terminal	Sensor 1 signal
1L	1L	COM EVEN H	Even-numbered H terminal	Sensor 2 signal
2H	2H	COM EVEN L	Even-numbered L terminal	Sensor 3 signal
⏏	⏏	COM ⏏	⏏	Sensor 1, 2, and 3 shields
12V	SW12V	12V		
G	G	G		

Table B-1: Wiring for single-ended voltage measurements CRBasic example				
		AM16/32B in 4X16 mode		
CR1000X	CR300	Control and COM terminals	Measurement terminals	Sensors
C1	C1	CLK		
C2	C2	RES		

## B.2 Differential voltage measurement

Figure B-2 (p. 26) shows a typical connection for differential voltage measurements. Using this method, a data logger can make up to 32 differential voltage measurements through a multiplexer.

Refer to the following downloadable program examples and Table B-2 (p. 27):

- Example B-3: CR300 differential measurements with the AM16/32B
- Example B-4: CR1000X differential measurements with the AM16/32B
- Table B-2 (p. 27): Provides the programs and wiring diagrams

Alternatively, use *Short Cut* to create the program. With minor adjustments, the CR1000X program can be used with the CR6, CR3000, CR800 series, or CR1000. In either case, the AM16/32B must be in 2x32 mode. View the program in the *CRBasic Editor*.

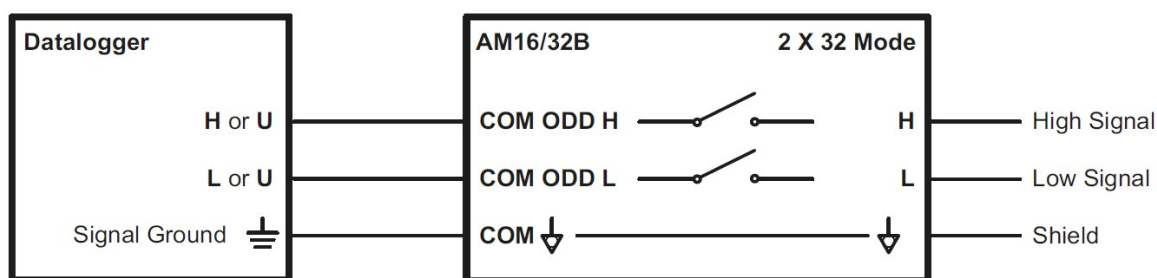


Figure B-2. Typical differential voltage measurement connection

### NOTE:

U terminals are only available on the CR6 data logger.

These programs use arrays for multipliers and offsets. This allows individual adjustment of the multiplier and offset for each sensor. For example, in this program the third multiplier, **8**, and the third offset, **9**, would be applied to the third measurement, `DiffV(3)`.

Table B-2: Wiring for differential voltage measurements CRBasic example				
		AM16/32B in 2X32 mode		
CR1000X	CR300	Control and COM terminals	Measurement terminals	Sensors
1H	1H	COM ODD H	H	High signal
1L	1L	COM ODD L	L	Low signal
⏏ (Signal Ground)	⏏ (Signal Ground)	COM ⏏	⏏	Shield
12V	SW12V	12V		
G	G	G		
C1	C1	CLK		
C2	C2	RES		

## B.3 Half-bridge measurement

Figure B-3 (p. 27) shows a typical connection for half-bridge measurements, such as 107 temperature sensors. Using this method, a data logger can make up to 48 half-bridge measurements through a multiplexer. See *AM16-32B Example B-5 CR6 107 temperature probe measurements.CR6* and Table B-3 (p. 28) for the program and wiring diagram, or use **Short Cut** to create the program. With minor adjustments, the CR6 program can be used with the CR3000, CR1000X, CR800 series, CR300 series, or CR1000. This program measures 48 Campbell Scientific 107 temperature sensors through an AM16/32B. The AM16/32B must be in 4x16 mode.

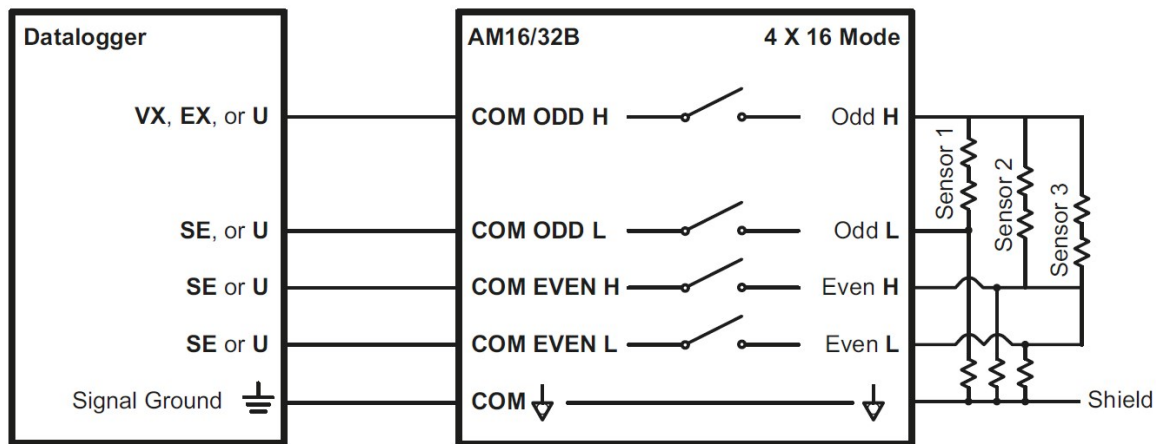


Figure B-3. Typical half-bridge measurement connection

**NOTE:**

U terminals are only available on the CR6 data logger.

**Table B-3: Wiring for Campbell Scientific 107 temperature sensors CRBasic example**

CR6	AM16/32B in 4X16 mode		Sensors
	Control and COM terminals	Measurement terminals	
U3	COM ODD H	Odd-numbered H terminal	Sensor 1, 2, and 3 excitation (black wire)
U4	COM ODD L	Odd-numbered L terminal	Sensor 1 signal (red wire)
U5	COM EVEN H	Even-numbered H terminal	Sensor 2 signal (red wire)
U6	COM EVEN L	Even-numbered L terminal	Sensor 3 signal (red wire)
⏏ (Signal Ground)	COM ⏏	⏏	Sensor 1, 2, and 3 grounds and shields (purple and clear wires)
12V	12V		
G	G		
U1	CLK		
U2	RES		

## B.4 Full-bridge measurement

Up to 16 full-bridge measurements may be multiplexed through the AM16/32B. A problem with making full-bridge measurements with this configuration is that the resistance of the wire and multiplexer relays can cause a voltage drop, reducing the excitation at the bridge. The following section describes a configuration that compensates for this by measuring the excitation at the bridge. See *AM16-32B Example B-6 CR1000X load cell measurements.CR1X* and [Table B-4](#) (p. 29) for the program and wiring diagram, or use *Short Cut* to create the program. With minor adjustments, the CR1000X program can be used with the CR6, CR3000, CR800 series, CR300 series, or CR1000. This program measures 16 load cell sensors through an AM16/32B. The AM16/32B must be in 4x16 mode.



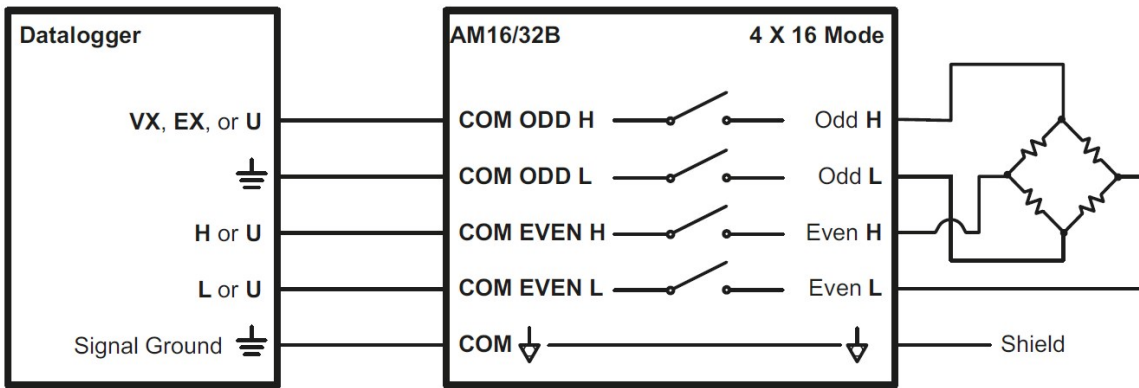


Figure B-4. Full-bridge measurement

**NOTE:**

U terminals are only available on the CR6 data logger.

AM16/32B in 4X16 mode			
CR1000X	Control and COM terminals	Measurement terminals	Sensors
VX1	COM ODD H	Odd-numbered H	Excitation
⏏ (Signal Ground)	COM ODD L	Odd-numbered L	Ground
1H	COM EVEN H	Even-numbered H	High
1L	COM EVEN L	Even-numbered L	Low
⏏	COM ⏏	⏏	Shield
12V	12V		
G	G		
C1	CLK		
C2	RES		

## B.5 CS616 measurement

Example *AM16-32B Example B-7 CR1000X CS616 measurements*. *CR1X* is a CR1000X program measuring 48 Campbell Scientific CS616 water content reflectometers through an AM16/32B. With minor adjustments, this program can be used with the CR6, CR3000, CR800-series, or CR1000. The AM16/32B must be in 4x16 mode. See *AM16-32B Example B-7 CR1000X CS616*

measurements. CR1X and Table B-5 (p. 30) for the program and wiring diagram, or use *Short Cut* to create the program.

Table B-5: Wiring for CS616 sensor CRBasic example			
AM16/32B in 4X16 mode			
CR1000X	Control and COM terminals	Measurement terminals	Sensors <sup>1</sup>
C2	COM ODD H	Odd-numbered H	Sensor 1, 2, and 3 Orange
1H	COM ODD L	Odd-numbered L	Sensor 1 Green
1L	COM EVEN H	Even-numbered H	Sensor 2 Green
2H	COM EVEN L	Even-numbered L	Sensor 3 Green
⏏ (Signal Ground)	COM ⏏	⏏	Black
12V	12V		
G	G		
C1	CLK		
C3	RES		

<sup>1</sup>The red wire for each CS616 connects to the 12V terminal of the data logger. The clear wire for each CS616 connects to the G terminal of the data logger. User-supplied terminal blocks may be required.

# Appendix C. Thermocouple measurement

---

For optimal thermocouple measurements with the AM16/32B, follow the practices outlined in the following subsections.

## NOTE:

The AM16/32B is not recommended for making highly accurate thermocouple measurements. Instead, Campbell Scientific recommends the AM25T, which uses an onboard PRT as a reference junction.

## C.1 Measurement considerations

Proper reference junction configurations are critical for accurate thermocouple measurements. This section details two possible configurations: placing the reference junction at the data logger or at the AM16/32B multiplexer.

### C.1.1 Reference junction

As shown in [Figure C-1](#) (p. 32) and [Figure C-2](#) (p. 33), two reference junction configurations are possible: 1) reference located at the data logger or 2) reference at the AM16/32B.

### C.1.2 Data logger reference

If the reference junction is at the data logger, matching thermocouple wire should be run between the **COM** terminals of the multiplexer and the differential input channel on the data logger (observe TC wire polarity).

The CR6, CR3000, CR1000X, CR800 series, CR300 series, and CR1000 have built-in temperature references.

## NOTE:

The measurement from the CR6 and CR300 [PanelTemp\(\)](#) instruction does not accurately reflect the temperature of the wiring panel, since it measures the temperature of the main processing board. Therefore, if the processor or charge (CHG) input are active, the PanelTemp measurement will be warmer than ambient. This should be taken into consideration if this measurement is used as a reference temperature for thermocouples.

When the reference junction is located at the data logger, the signal wires between the data logger and the AM16/32B must be of the same wire type as the thermocouple (Figure C-1 [p. 32]). The "polarity" of the thermocouple wires must be maintained on each side of the multiplexer (for example, if constantan wire is input to an L terminal, then a constantan wire should run between the multiplexer **COM ODD L** terminal and the data logger measurement terminal). Figure C-1 (p. 32) and Figure C-2 (p. 33) depict type T thermocouple applications, but other thermocouple types (for example, E, J, and K) may also be measured and linearized by the data loggers.

It is not recommended to make measurements of any other sensor type through the AM16/32B if thermocouples are measured with respect to the data logger reference (the signal wires between the data logger and AM16/32B are made of thermocouple wire). Two problems would arise due to the properties of thermocouple wire.

First, an extraneous thermocouple voltage would be added to the non-thermocouple signal at the junction of dissimilar metals (for example, the multiplexer **COM** terminals). The magnitude of this signal would vary with the temperature difference between the data logger and the AM16/32B.

Second, some thermocouple wires have a greater resistance than copper, which adds resistance to the non-thermocouple sensor circuit. For example, constantan is approximately 26 times more resistive than copper.

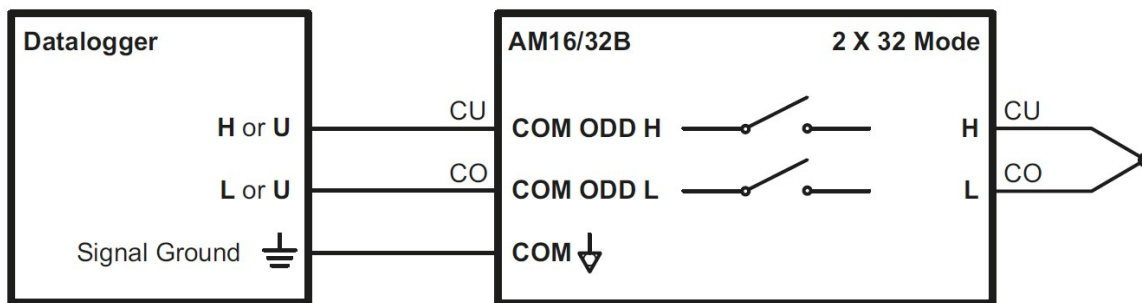


Figure C-1. Differential thermocouple measurement with reference junction at the data logger

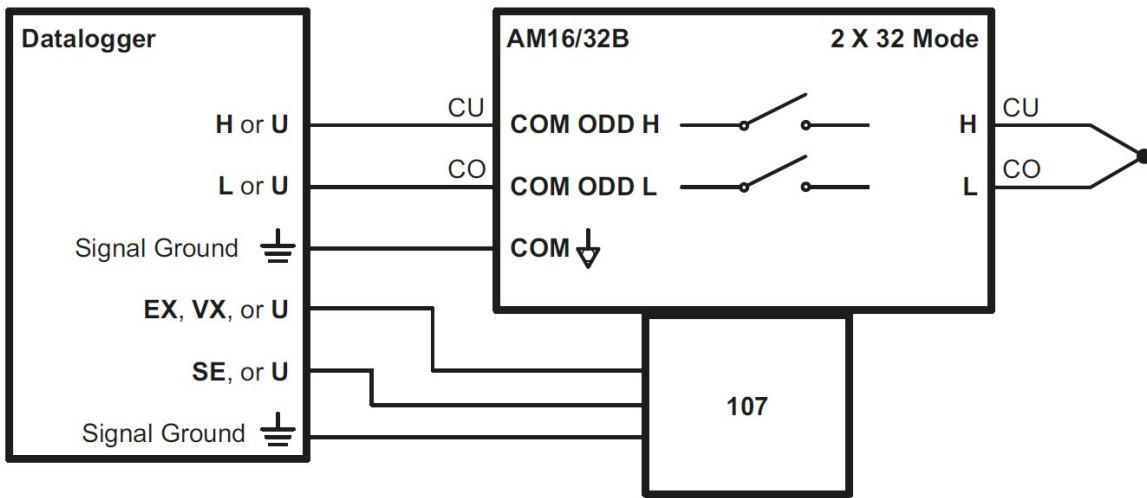


Figure C-2. Differential thermocouple measurement with reference junction at the AM16/32B (using 107-L thermistor)

### C.1.3 AM16/32B reference

An external reference, usually a thermistor, can be located at the AM16/32B, as shown in [Figure C-2](#) (p. 33). This approach requires an additional single-ended data logger input to measure the reference. Position the reference next to the **COM** terminals and, when practical, measure the thermocouples on SETs that are in close proximity to the **COM** terminals in order to minimize thermal gradients.

### C.1.4 Thermal gradients

Thermal gradients between the AM16/32B measurement terminals and **COM** terminals can cause errors in thermocouple readings. For example, with type T thermocouples, a one-degree gradient between the input terminals and the **COM** terminals will result in an approximate one-degree measurement error. Installing the aluminum cover plate ([Figure C-3](#) [p. 34]) helps to minimize gradients. For best results, the AM16/32B should be shielded and insulated from all radiant- and conducted-thermal sources. When an enclosure is used, gradients resulting from heat conducted along the thermocouple wire can be minimized by coiling some wire inside the enclosure. This technique allows heat to largely dissipate before it reaches the terminals. If the AM16/32B is housed in a field enclosure, the enclosure should be shielded from solar radiation.



*Figure C-3. AM16/32B aluminum cover plate*

# Limited warranty


---

Covered equipment is warranted/guaranteed against defects in materials and workmanship under normal use and service for the period listed on your sales invoice or the product order information web page. The covered period begins on the date of shipment unless otherwise specified. For a repair to be covered under warranty, the following criteria must be met:

1. There must be a defect in materials or workmanship that affects form, fit, or function of the device.
2. The defect cannot be the result of misuse.
3. The defect must have occurred within a specified period of time; and
4. The determination must be made by a qualified technician at a Campbell Scientific Service Center/ repair facility.

The following is not covered:

1. Equipment which has been modified or altered in any way without the written permission of Campbell Scientific.
2. Batteries; and
3. Any equipment which has been subjected to misuse, neglect, acts of God or damage in transit.


Campbell Scientific regional offices handle repairs for customers within their territories. Please see the back page of the manual for a list of [regional offices](#) or visit [www.campbellsci.com/contact](http://www.campbellsci.com/contact)  to determine which Campbell Scientific office serves your country. For directions on how to return equipment, see [Assistance](#).

Other manufacturer's products, that are resold by Campbell Scientific, are warranted only to the limits extended by the original manufacturer.

CAMPBELL SCIENTIFIC EXPRESSLY DISCLAIMS AND EXCLUDES ANY IMPLIED WARRANTIES OF MERCHANTABILITY OR FITNESS FOR A PARTICULAR PURPOSE. Campbell Scientific hereby disclaims, to the fullest extent allowed by applicable law, any and all warranties and conditions with respect to the products, whether express, implied, or statutory, other than those expressly provided herein.

Campbell Scientific will, as a default, return warranted equipment by surface carrier prepaid. However, the method of return shipment is at Campbell Scientific's sole discretion. Campbell Scientific will not reimburse the claimant for costs incurred in removing and/or reinstalling equipment. This warranty and the Company's obligation thereunder is in lieu of all other

warranties, expressed or implied, including those of suitability and fitness for a particular purpose. Campbell Scientific is not liable for consequential damage.


In the event of any conflict or inconsistency between the provisions of this Warranty and the provisions of Campbell Scientific's Terms, the provisions of Campbell Scientific's Terms shall prevail. Furthermore, Campbell Scientific's Terms are hereby incorporated by reference into this Warranty. To view Terms and conditions that apply to Campbell Scientific, Logan, UT, USA, see [Terms and Conditions](#) . To view terms and conditions that apply to Campbell Scientific offices outside of the United States, contact the [regional office](#) that serves your country.



# Assistance

---

Products may not be returned without prior authorization. Please inform us before returning equipment and obtain a **return material authorization (RMA) number** whether the repair is under warranty/guarantee or not. See [Limited warranty](#) for information on covered equipment.

Campbell Scientific regional offices handle repairs for customers within their territories. Please see the back page of the manual for a list of [regional offices](#) or visit [www.campbellsci.com/contact](http://www.campbellsci.com/contact)  to determine which Campbell Scientific office serves your country.

When returning equipment, a RMA number must be clearly marked on the outside of the package. Please state the faults as clearly as possible. Quotations for repairs can be given on request.

It is the policy of Campbell Scientific to protect the health of its employees and provide a safe working environment. In support of this policy, when equipment is returned to Campbell Scientific, Logan, UT, USA, it is mandatory that a "[Declaration of Hazardous Material and Decontamination](#)" form be received before the return can be processed. If the form is not received within 5 working days of product receipt or is incomplete, the product will be returned to the customer at the customer's expense. For details on decontamination standards specific to your country, please reach out to your [regional Campbell Scientific](#) office.

## NOTE:

All goods that cross trade boundaries may be subject to some form of fee (customs clearance, duties or import tax). Also, some regional offices require a purchase order upfront if a product is out of the warranty period. Please contact your [regional Campbell Scientific](#) office for details.

# Safety

---

DANGER — MANY HAZARDS ARE ASSOCIATED WITH INSTALLING, USING, MAINTAINING, AND WORKING ON OR AROUND TRIPODS, TOWERS, AND ANY ATTACHMENTS TO TRIPODS AND TOWERS SUCH AS SENSORS, CROSSARMS, ENCLOSURES, ANTENNAS, ETC. FAILURE TO PROPERLY AND COMPLETELY ASSEMBLE, INSTALL, OPERATE, USE, AND MAINTAIN TRIPODS, TOWERS, AND ATTACHMENTS, AND FAILURE TO HEED WARNINGS, INCREASES THE RISK OF DEATH, ACCIDENT, SERIOUS INJURY, PROPERTY DAMAGE, AND PRODUCT FAILURE. TAKE ALL REASONABLE PRECAUTIONS TO AVOID THESE HAZARDS. CHECK WITH YOUR ORGANIZATION'S SAFETY COORDINATOR (OR POLICY) FOR PROCEDURES AND REQUIRED PROTECTIVE EQUIPMENT PRIOR TO PERFORMING ANY WORK.

Use tripods, towers, and attachments to tripods and towers only for purposes for which they are designed. Do not exceed design limits. Be familiar and comply with all instructions provided in product manuals. Manuals are available at [www.campbellsci.com](http://www.campbellsci.com) You are responsible for conformance with governing codes and regulations, including safety regulations, and the integrity and location of structures or land to which towers, tripods, and any attachments are attached. Installation sites should be evaluated and approved by a qualified engineer. If questions or concerns arise regarding installation, use, or maintenance of tripods, towers, attachments, or electrical connections, consult with a licensed and qualified engineer or electrician.

## General

- Protect from over-voltage.
- Protect electrical equipment from water.
- Protect from electrostatic discharge (ESD).
- Protect from lightning.
- Prior to performing site or installation work, obtain required approvals and permits. Comply with all governing structure-height regulations, such as those of the FAA in the USA.
- Use only qualified personnel for installation, use, and maintenance of tripods and towers, and any attachments to tripods and towers. The use of licensed and qualified contractors is highly recommended.
- Read all applicable instructions carefully and understand procedures thoroughly before beginning work.
- Wear a hardhat and eye protection, and take other appropriate safety precautions while working on or around tripods and towers.
- Do not climb tripods or towers at any time, and prohibit climbing by other persons. Take reasonable precautions to secure tripod and tower sites from trespassers.
- Use only manufacturer recommended parts, materials, and tools.

## Utility and Electrical

- You can be killed or sustain serious bodily injury if the tripod, tower, or attachments you are installing, constructing, using, or maintaining, or a tool, stake, or anchor, come in contact with overhead or underground utility lines.
- Maintain a distance of at least one-and-one-half times structure height, 6 meters (20 feet), or the distance required by applicable law, whichever is greater, between overhead utility lines and the structure (tripod, tower, attachments, or tools).
- Prior to performing site or installation work, inform all utility companies and have all underground utilities marked.
- Comply with all electrical codes. Electrical equipment and related grounding devices should be installed by a licensed and qualified electrician.
- Only use power sources approved for use in the country of installation to power Campbell Scientific devices.

## Elevated Work and Weather

- Exercise extreme caution when performing elevated work.
- Use appropriate equipment and safety practices.
- During installation and maintenance, keep tower and tripod sites clear of un-trained or non-essential personnel. Take precautions to prevent elevated tools and objects from dropping.
- Do not perform any work in inclement weather, including wind, rain, snow, lightning, etc.

## Internal Battery

- Be aware of fire, explosion, and severe-burn hazards.
- Misuse or improper installation of the internal lithium battery can cause severe injury.

- Do not recharge, disassemble, heat above 100 °C (212 °F), solder directly to the cell, incinerate, or expose contents to water. Dispose of spent batteries properly.

#### Use and disposal of batteries

- Where batteries need to be transported to the installation site, ensure they are packed to prevent the battery terminals shorting which could cause a fire or explosion. Especially in the case of lithium batteries, ensure they are packed and transported in a way that complies with local shipping regulations and the safety requirements of the carriers involved.
- When installing the batteries follow the installation instructions very carefully. This is to avoid risk of damage to the equipment caused by installing the wrong type of battery or reverse connections.
- When disposing of used batteries, it is still important to avoid the risk of shorting. Do not dispose of the batteries in a fire as there is risk of explosion and leakage of harmful chemicals into the environment. Batteries should be disposed of at registered recycling facilities.

#### Avoiding unnecessary exposure to radio transmitter radiation

- Where the equipment includes a radio transmitter, precautions should be taken to avoid unnecessary exposure to radiation from the antenna. The degree of caution required varies with the power of the transmitter, but as a rule it is best to avoid getting closer to the antenna than 20 cm (8 inches) when the antenna is active. In particular keep your head away from the antenna. For higher power radios (in excess of 1 W ERP) turn the radio off when servicing the system, unless the antenna is installed away from the station, e.g. it is mounted above the system on an arm or pole.

#### Maintenance

- Periodically (at least yearly) check for wear and damage, including corrosion, stress cracks, frayed cables, loose cable clamps, cable tightness, etc. and take necessary corrective actions.
- Periodically (at least yearly) check electrical ground connections.

WHILE EVERY ATTEMPT IS MADE TO EMBODY THE HIGHEST DEGREE OF SAFETY IN ALL CAMPBELL SCIENTIFIC PRODUCTS, THE CUSTOMER ASSUMES ALL RISK FROM ANY INJURY RESULTING FROM IMPROPER INSTALLATION, USE, OR MAINTENANCE OF TRIPODS, TOWERS, OR ATTACHMENTS TO TRIPODS AND TOWERS SUCH AS SENSORS, CROSSARMS, ENCLOSURES, ANTENNAS, ETC.

# Global Sales and Support Network

A worldwide network to help meet your needs



## Campbell Scientific Regional Offices

### Australia

**Location:** Garbutt, QLD Australia  
**Phone:** 61.7.4401.7700  
**Email:** [info@campbellsci.com.au](mailto:info@campbellsci.com.au)  
**Website:** [www.campbellsci.com.au](http://www.campbellsci.com.au)

### Brazil

**Location:** São Paulo, SP Brazil  
**Phone:** 11.3732.3399  
**Email:** [vendas@campbellsci.com.br](mailto:vendas@campbellsci.com.br)  
**Website:** [www.campbellsci.com.br](http://www.campbellsci.com.br)

### Canada

**Location:** Edmonton, AB Canada  
**Phone:** 780.454.2505  
**Email:** [dataloggers@campbellsci.ca](mailto:dataloggers@campbellsci.ca)  
**Website:** [www.campbellsci.ca](http://www.campbellsci.ca)

### China

**Location:** Beijing, P. R. China  
**Phone:** 86.10.6561.0080  
**Email:** [info@campbellsci.com.cn](mailto:info@campbellsci.com.cn)  
**Website:** [www.campbellsci.com.cn](http://www.campbellsci.com.cn)

### Costa Rica

**Location:** San Pedro, Costa Rica  
**Phone:** 506.2280.1564  
**Email:** [info@campbellsci.com](mailto:info@campbellsci.com)  
**Website:** [www.campbellsci.com](http://www.campbellsci.com)

### France

**Location:** Montrouge, France  
**Phone:** 0033.0.1.56.45.15.20  
**Email:** [info@campbellsci.fr](mailto:info@campbellsci.fr)  
**Website:** [www.campbellsci.fr](http://www.campbellsci.fr)

### Germany

**Location:** Bremen, Germany  
**Phone:** 49.0.421.460974.0  
**Email:** [info@campbellsci.de](mailto:info@campbellsci.de)  
**Website:** [www.campbellsci.de](http://www.campbellsci.de)

### India

**Location:** New Delhi, DL India  
**Phone:** 91.11.46500481.482  
**Email:** [info@campbellsci.in](mailto:info@campbellsci.in)  
**Website:** [www.campbellsci.in](http://www.campbellsci.in)

### Japan

**Location:** Kawagishi, Toda City, Japan  
**Phone:** 048.400.5001  
**Email:** [jp-info@campbellsci.com](mailto:jp-info@campbellsci.com)  
**Website:** [www.campbellsci.co.jp](http://www.campbellsci.co.jp)

### South Africa

**Location:** Stellenbosch, South Africa  
**Phone:** 27.21.8809960  
**Email:** [sales@campbellsci.co.za](mailto:sales@campbellsci.co.za)  
**Website:** [www.campbellsci.co.za](http://www.campbellsci.co.za)

### Spain

**Location:** Barcelona, Spain  
**Phone:** 34.93.2323938  
**Email:** [info@campbellsci.es](mailto:info@campbellsci.es)  
**Website:** [www.campbellsci.es](http://www.campbellsci.es)

### Thailand

**Location:** Bangkok, Thailand  
**Phone:** 66.2.719.3399  
**Email:** [info@campbellsci.asia](mailto:info@campbellsci.asia)  
**Website:** [www.campbellsci.asia](http://www.campbellsci.asia)

### UK

**Location:** Shephed, Loughborough, UK  
**Phone:** 44.0.1509.601141  
**Email:** [sales@campbellsci.co.uk](mailto:sales@campbellsci.co.uk)  
**Website:** [www.campbellsci.co.uk](http://www.campbellsci.co.uk)

### USA

**Location:** Logan, UT USA  
**Phone:** 435.227.9120  
**Email:** [info@campbellsci.com](mailto:info@campbellsci.com)  
**Website:** [www.campbellsci.com](http://www.campbellsci.com)