

A UNITED STATES  
DEPARTMENT OF  
**COMMERCE**  
PUBLICATION



# NOAA Technical Memorandum NWSTM WR 61

U.S. DEPARTMENT OF COMMERCE

NATIONAL OCEANIC AND ATMOSPHERIC ADMINISTRATION

National Weather Service

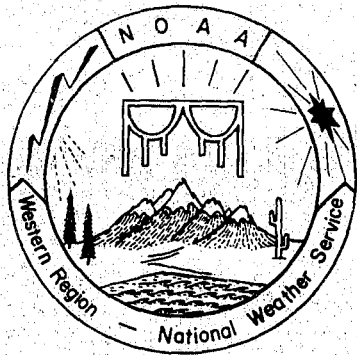
## Relationship of Wind Velocity and Stability to $SO_2$ Concentrations at Salt Lake City, Utah

WERNER J. HECK

Western Region

SALT LAKE CITY,  
UTAH

January 1971



WESTERN REGION TECHNICAL MEMORANDA

The Technical Memorandum series provide an informal medium for the documentation and quick dissemination of results not appropriate, or not yet ready, for formal publication in the standard journals. The series are used to report on work in progress, to describe technical procedures and practices, or to report to a limited audience. These Technical Memoranda will report on investigation devoted primarily to Regional and local problems of interest mainly to Western Region personnel, and hence will not be widely distributed.

These Memoranda are available from the Western Region Headquarters at the following address: National Weather Service Western Region Headquarters, Attention SSD, P. O. Box 11188, Federal Building, Salt Lake City, Utah 84111.

The Western Region subseries of NOAA Technical Memoranda, No. 5 (revised edition), No. 10 and all others beginning with No. 24, are available also from the National Technical Information Service, U. S. Department of Commerce, Sills Building, Port Royal Road, Springfield, Va. 22151. Price: \$3.00 paper copy; \$0.65 microfiche. Order by accession number shown in parentheses at end of each entry.

Western Region Technical Memoranda:

- No. 1\* Some Notes on Probability Forecasting. Edward D. Diemer. September 1965.
- No. 2 Climatological Precipitation Probabilities. Compiled by Lucianne Miller. December 1965.
- No. 3 Western Region Pre- and Post-FP-3 Program. Edward D. Diemer. March 1966.
- No. 4 Use of Meteorological Satellite Data. March 1966.
- No. 5\*\* Station Description of Local Effects on Synoptic Weather Patterns. Philip Williams, Jr. October 1969 (Revised). (PB-178 000)
- No. 6 Improvement of Forecast Wording and Format. C. L. Glenn. May 1966.
- No. 7 Final Report on Precipitation Probability Test Programs. Edward D. Diemer. May 1966.
- No. 8\* Interpreting the RAREP. Herbert P. Benner. May 1966. (Revised January 1967.)
- No. 9 A Collection of Papers Related to the 1966 NMC Primitive-Equation Model. June 1966.
- No. 10\* Sonic Boom. Loren Crow (6th Weather Wing, USAF, Pamphlet). June 1966. (AD-479 366)
- No. 11 Some Electrical Processes in the Atmosphere. J. Latham. June 1966.
- No. 12\* A Comparison of Fog Incidence at Missoula, Montana, with Surrounding Locations. Richard A. Dightman. August 1966.
- No. 13\* A Collection of Technical Attachments on the 1966 NMC Primitive-Equation Model. Leonard W. Snellman. August 1966.
- No. 14 Application of Net Radiometer Measurements to Short-Range Fog and Stratus Forecasting at Los Angeles. Frederick Thomas. September 1966.
- No. 15 The Use of the Mean as an Estimate of "Normal" Precipitation in an Arid Region. Paul C. Kangleser. November 1966.
- No. 16 Some Notes on Acclimatization in Man. Edited by Leonard W. Snellman. November 1966.
- No. 17 A Digitalized Summary of Radar Echoes Within 100 Miles of Sacramento, California.
- No. 18 Limitations of Selected Meteorological Data. December 1966.
- No. 19\* A Grid Method for Estimating Precipitation Amounts by Using the WSR-57 Radar. R. Granger. December 1966.
- No. 20\* Transmitting Radar Echo Locations to Local Fire Control Agencies for Lightning Fire Detection. Robert R. Peterson. March 1967.
- No. 21 An Objective Aid for Forecasting the End of East Winds in the Columbia Gorge. D. John Coparanis. April 1967.
- No. 22 Derivation of Radar Horizons in Mountainous Terrain. Roger C. Pappas. April 1967.
- No. 23 "K" Chart Application to Thunderstorm Forecasts Over the Western United States. Richard E. Hambidge. May 1967.
- No. 24 Historical and Climatological Study of Grinnell Glacier, Montana. Richard A. Dightman. July 1967. (PB-178 071)
- No. 25 Verification of Operational Probability of Precipitation Forecasts, April 1966-March 1967. W. W. Dickey. October 1967. (PB-176 240)
- No. 26 A Study of Winds in the Lake Mead Recreation Area. R. P. Augulis. January 1958. (PB-177 830)
- No. 27 Objective Minimum Temperature Forecasting for Helena, Montana. D. E. Olsen. Feb. 1968. (PB-177 827)
- No. 28\*\* Weather Extremes. R. J. Schmidli. April 1968. (PB-178 928)
- No. 29 Small-Scale Analysis and Prediction. Philip Williams, Jr. May 1968. (PB-178 425)
- No. 30 Numerical Weather Prediction and Synoptic Meteorology. Capt. Thomas D. Murphy, U.S.A.F. May 1968. (AD-673 365)

\* Out of Print  
\*\* Revised



A western Indian symbol for rain. It also symbolizes man's dependence on weather and environment in the West.

U. S. DEPARTMENT OF COMMERCE  
NATIONAL OCEANIC AND ATMOSPHERIC ADMINISTRATION  
NATIONAL WEATHER SERVICE

NOAA Technical Memorandum NWSTM WR-61

RELATIONSHIP OF WIND VELOCITY AND STABILITY TO SO<sub>2</sub> CONCENTRATIONS  
AT SALT LAKE CITY, UTAH

Werner J. Heck  
Scientific Services Division  
Western Region Headquarters



WESTERN REGION  
TECHNICAL MEMORANDUM NO. 61

SALT LAKE CITY, UTAH  
JANUARY 1971

## TABLE OF CONTENTS

List of Figures and Table	iii
I. Introduction	1
II. Data	1
III. Procedure	2
IV. Discussion	3
V. Case Study	5
VI. Conclusions	6
VII. References	6

LIST OF FIGURES AND TABLE

	<u>Page</u>
Figure 1. Map of Salt Lake City and Vicinity.	7
Figure 2. Average Hourly SO <sub>2</sub> Concentrations at Salt Lake City for Hours with SO <sub>2</sub> > .01 PPM. Data include October - March 1964-1969, except for 1966 - 1967.	8
Figure 3. Frequency of Hours with SO <sub>2</sub> > .01 PPM. Data Period Same as Figure 2.	9
Figure 4. Average Hourly SO <sub>2</sub> Concentrations at Salt Lake City for all hours. Data Include October - March 1964 - 1969, except for 1966 - 1967.	10
Figure 5. Average Hourly SO <sub>2</sub> Concentrations at Salt Lake City for all hours. Data for October - March 1967 - 1968.	11
Figure 6. Wind Roses (October - November) for Salt Lake City, 1964 - 1965, 1967 - 1969. Times are MST. Length of direction barb sections are proportional to wind speeds as shown in code in lower right of figure. Percent calms are in center of rose. Percentage figure to lower right of roses refers to winds not shown by direction barbs. For 0400-1300 MST.	12
Figure 6a. Same as Figure 6, except for 1400 - 0000.	13
Figure 7. Same as Figure 6, except December - January (0400 - 1300).	14
Figure 7a. Same as Figure 6, except December - January (1400 - 0000).	15
Figure 8. Same as Figure 6, except for February - March (0400 - 1300).	16
Figure 8a. Same as Figure 6, except for February - March (1400 - 0000).	17
Figure 9. Temperature Sounding at Salt Lake City for December 17 - 19, 1965, Showing Mixing Depth (MD) and Winds Aloft. One Full Barb Equals 8 - 12 Knots, Half Barb 3 - 7 Knots, Circle < 3 Knots.	18
Figure 10. Temperature Sounding at Salt Lake City for December 19 - 21, 1965, Showing Mixing Depth (MD) and Winds Aloft. One Full Barb Equals 8 - 12 Knots, Half Barb 3 - 7 Knots, Circle < 3 Knots.	19
Figure 11. Temperature Sounding at Salt Lake City for December 21 - 23, 1965, Showing Mixing Depth (MD) and Winds Aloft. One Full Barb Equals 8 - 12 Knots, Half Barb 3 - 7 Knots, Circle, < 3 Knots.	20
Table 1. High Pollution Episode, December 17 - 22, 1965.	21

# RELATIONSHIP OF WIND VELOCITY AND STABILITY TO SO<sub>2</sub> CONCENTRATIONS AT SALT LAKE CITY, UTAH

## 1. INTRODUCTION

Atmospheric pollution is becoming an increasingly critical problem to human health and welfare. Salt Lake City, like most other major U. S. cities, has long had an air pollution problem. Although the public is probably more concerned about air pollution now than in earlier years, Salt Lake City's air pollutants have decreased over the past thirty years [1]. This drop-off has largely been the result of conversion from coal to gas for heating and the use of diesel rather than steam locomotives on the railroads. Despite this marked drop-off, sulfur dioxide (SO<sub>2</sub>) is still among pollutants that are of major concern in Salt Lake City. One of the largest emitters of SO<sub>2</sub> is the copper smelter located fifteen miles west of the city (Figure 1). Other continuous sources of SO<sub>2</sub> are oil refineries five miles to the north, steel refineries 30 miles to the south, and motor vehicles in the metropolitan area itself. Among the strong intermittent sources of SO<sub>2</sub> are the burning of tires, oil, and scrap automobiles in various dumps around the city.

Salt Lake City is located in a valley bounded by the Oquirrh Mountains on the west and the Wasatch Range on the east. During late fall and winter, stagnant high-pressure systems develop over the Great Basin, resulting in stable air masses with low wind speeds.

Under these stagnant conditions, a southeast drainage wind prevails at Salt Lake City from about 1900 MST until 1100 MST the following morning [2]. During the afternoon, northwesterly winds prevail. This constantly reversing pattern tends to trap air pollutants in the valley and build up SO<sub>2</sub> concentrations. It is the purpose of this paper to:

- 1) Study the relationship between wind velocities and SO<sub>2</sub> concentrations during late fall and winter, and
- 2) Study a high-pollution episode for the relationship between day-to-day SO<sub>2</sub> concentrations and mixing depth.

## II. DATA

Meteorological conditions favoring the build-up of pollutants occur most frequently during late fall or winter, when the atmosphere is frequently stable and inversions are most prevalent and persistent. For this reason the colder half of the year (October - March) was studied. SO<sub>2</sub> concentrations for downtown Salt Lake City were obtained from the Utah State Division of Health. Their data were obtained from an SO<sub>2</sub> sampler presently located on the roof of a two-story building .

at 6th South and 4th East. The SO<sub>2</sub> sampler has been in this location since April 1967, prior to which time it was located on the roof of a one-story building at 2nd East and 6th South, two blocks from the present location. A thirty-foot smokestack was located 50 feet east of the sampler at its previous location. Although the stack emitted smoke from once-daily paper burnings, it is unknown what effect these emissions had on SO<sub>2</sub> concentrations near the sampler. The SO<sub>2</sub> sampler, accurate to .01 ppm SO<sub>2</sub>, recorded hourly concentrations of SO<sub>2</sub>, but this was refined to half-hourly concentrations in October 1969. These half-hourly values were converted to hourly values by summing, dividing by two, and rounding off to the nearest hundredth. Although hourly wind velocities were also recorded at the sampler location, it was decided to use hourly winds from the local Weather Service Forecast Office (WSFO) four miles west-northwest of the sampler site, because the WSFO wind records were much more complete, and also less subject to inner city turbulence. Winds at the WSFO were considered representative of the general flow in the Salt Lake Valley.

Five years of data consisting of six-month winter periods were studied beginning in October 1964 and ending March 1970. SO<sub>2</sub> data for the period October 1966 - March 1967 were not available since the SO<sub>2</sub> sampler became inoperative and was later moved to its present location. Despite the exclusion of the 1966 - 1967 year, gaps in SO<sub>2</sub> data ranging from days to months were still frequent. SO<sub>2</sub> data were unavailable 29% of the time for the overall five-year period.

Temperature inversion data required for the high-pollution episode were obtained from raobs taken at the WSFO.

### III. PROCEDURE

SO<sub>2</sub> data were classified by hourly intervals from 0000 to 2300 MST for monthly periods. The following values were tabulated for each hour: (a) frequency of SO<sub>2</sub> concentrations  $\geq$  .01 ppm, (b) sum of SO<sub>2</sub> concentrations  $\geq$  .01 ppm, (c) frequency of zero SO<sub>2</sub>, and (d) frequency of no record (NR). An average SO<sub>2</sub> concentration for hours having concentrations  $\geq$  .01 ppm was determined by dividing (b) by (a). An overall average SO<sub>2</sub> concentration was obtained by dividing (b) by  $\frac{1}{(a) + (c)}$ . Hourly averages were computed for each of the six months studied for the entire five-year period. Daily averages of hourly SO<sub>2</sub> concentrations for a one-week period were also computed. Averages for adjacent months with similar hourly SO<sub>2</sub> concentrations were combined. As a result, the months of October and November, December and January, and February and March were paired (Figures 2, 3, 4). The same procedure was followed for a four-year period excluding the 1967-1968 year, and also for the 1967-1968 year alone, when the copper smelter was shut down (Figure 5).

Hourly wind speeds and directions were obtained only for hours with SO<sub>2</sub> data available. A wind rose was then computed for the hours 0000, 0400,

0800, 1100, 1200, 1300, 1400, 1700, 1800, 1900 MST for each of the three two-month periods (Figures 6, 7, and 8). Hourly wind roses were computed for the overall five-year period.

Mixing depths for the high-pollution episode were found by using plots of Salt Lake City soundings on a pseudo-adiabatic chart. Both morning and afternoon soundings were used. In each case the dry adiabat was followed up from the observed maximum temperature until it intersected the pressure-temperature curve. The height of the intersection above ground was considered the mixing depth. The average daily mixing depth was found by adding the morning and afternoon mixing depths and dividing by two.

#### IV. DISCUSSION

Figure 6 shows October-November wind roses for various hours between 0000 MST and 1900 MST. During morning hours (0000-0800 MST) the south-to-southeast drainage wind prevailed 65% of the time. By 1100 MST the frequency of south and southeast winds decreases to 40% and the frequency of the north and northwest winds increases from 10% at 0800 MST to 35% at 1100 MST. North-to-northwest winds increase until they reach a maximum frequency of 60% at 1400 MST. Also at this time, the south-to-southeast wind falls to a frequency of about 20%. These south-southeast winds result from the synoptic situation and are not part of the diurnal wind regime. At times the diurnal wind regime is masked by winds resulting from transitory synoptic features. Between 1700 MST and 1900 MST, the north-northwest component decreases and the westerly component increases, indicative of the transition from up-valley (north to northwest) to down-valley wind (south to southeast), which begins to occur at this time of day. By 2300 MST the south-to-southeast drainage wind prevails again.

Figure 7 shows wind roses for December - January. The diurnal wind regime for these months is still prominent, but not as pronounced as in October - November. Calm winds are also more prevalent throughout the day, indicative of weak pressure gradients associated with stagnant highs and inversions. During late morning, the frequency of the south-east drainage winds decreases, and the frequency of north-to-northwest winds increases. The north-to-northwest wind reaches its maximum frequency at 1400 MST; but unlike October - November, the south-to-southeast component is still quite prominent. This, along with the fairly prominent north-northwest component during the morning hours, is an indication of pre- and post-frontal winds which dominate the circulation at various times during these two months. By 1700 MST, the westerly component has increased slightly, and by 1800 MST the southeast component also has increased. At 1900 MST south-to-southeast winds again dominate the circulation.

Figure 8 shows wind roses for February - March. These wind roses are quite similar to the October - November roses, although small differences do exist. South-to-southeast winds during the morning hours of



February - March, for example, are less frequent than in October - November. Late afternoon north-to-northwest winds for February - March, however, are slightly more frequent and have higher speeds than late afternoon north-northwest winds for October - November. Also maximum frequency for north-northwest winds during February-March occurs at 1700 MST as opposed to 1400 MST for October - November. This is probably due to the more intense solar insolation and longer days in March, which permit stronger development of the up-valley wind.

A comparison of hourly winds for the various months (Figures 6, 7, and 8) and hourly SO<sub>2</sub> concentrations for the same months (Figure 4) yields some very interesting results. October - November SO<sub>2</sub> concentrations increase rapidly from 0800 MST to the peak at 1200 MST. This corresponds to the time when south-southeast winds decrease from their maximum frequency at 0800 MST, while north-northwest winds are increasing in frequency.

The December - January SO<sub>2</sub> curve is almost parallel to the October - November curve, but with much greater concentrations. The December - January increase of SO<sub>2</sub> during the morning hours also corresponds to the transition of south-southeast winds to north-northwest winds. February - March SO<sub>2</sub> concentrations are much lower than in fall and winter, and also show no well-defined peak, but rather a gradual increase to a fairly constant afternoon level. This is due to the greater mixing depths in late winter and spring.

Figure 5 shows average hourly SO<sub>2</sub> concentrations for October 1967 - March 1968, during which period the copper smelter located near the north end of the Oquirrh Mountains was shut down. With the exception of the December - January curve, which had one-third of the data missing, the shape and time of peak concentrations correspond to the five-year average, but with much lower concentrations. These curves indicate that there are other important sources of SO<sub>2</sub> besides the smelter. If we assume the five-year wind roses to be valid for 1967 - 1968, we can again say the onset of the up-valley winds corresponds to increasing SO<sub>2</sub> concentrations.

Although the data strongly indicate increasing SO<sub>2</sub> concentrations during the transition from south-southeast to north-northwest winds, we might wonder why these high concentrations are not sustained throughout the afternoon. Since the major sources of SO<sub>2</sub> lie to the north and west of the city, light south-southeast winds during the night would tend to move these pollutants toward the northwest end of the valley and allow them to accumulate. During the morning hours, as the south-southeast winds begin to slacken with the transition to a north-northwest wind regime, these pollutants gradually approach the city with the maximum concentration occurring during early afternoon. These pollutants are apparently sufficiently diffused throughout the valley during the afternoon so as not to produce another SO<sub>2</sub> maximum with the transition back to the southeast drainage wind. SO<sub>2</sub> concentrations are highest during December - January since strong inversions, which favor

the build-up of pollutants, are most frequent during winter. The lack of a well-defined maximum for February - March is due, in part, to relatively strong insolation and strong winds which tend to diffuse pollutants throughout the atmosphere.

One factor not taken into consideration in the study is the half life of SO<sub>2</sub>. Estimates on this half life vary from four to twelve hours. This undoubtedly is also a factor in decreasing SO<sub>2</sub> concentrations following the noon peak.

## V. CASE STUDY

Synoptic conditions associated with high-pollution episodes typically begin several days after the passage of a cold front through north-western Utah. The front is followed by a building surface high over the Great Basin, which becomes stationary as the ridge aloft slowly shifts eastward until surface high and upper ridge are nearly vertical. This leads to extremely stable conditions in the Salt Lake Valley. The breakdown of this ridge does not occur until a moderately strong frontal system or upper trough moves into the plateau from the Pacific Ocean. When this occurs, the pressure gradient increases and strong southerly winds may blow for as much as two to three days before passage of the next cold front at Salt Lake City. These strong winds are very effective in clearing the valley of pollutants.

A high-pollution episode (December 17 - 22, 1965) was studied in detail. Table 1 shows the relationship between day-to-day average hourly SO<sub>2</sub> concentrations and average of 0500 MST and 1700 MST mixing depths. On the initial day, December 17, the average mixing depth is high (Figure 9a) resulting in relatively low average hourly SO<sub>2</sub> concentrations. On the second day, December 18, the average mixing depth decreases by 50 meters (Figure 9b and Table 1) and SO<sub>2</sub> concentration increases three-fold. The mixing depth decreases 200 meters on the third day, December 19 (Figure 10a), with an eightfold increase in SO<sub>2</sub>. The decrease of mixing depth and increase of hourly SO<sub>2</sub> concentration continue until the fifth day, December 21 (Figures 10b and 11a). On the sixth day, December 22 (Figure 11b, Table 1), the mixing depth increases only 50 meters from the previous day's value, but the SO<sub>2</sub> concentration decreases to only one-sixth the previous day's value. The 50-meter increase in mixing depth is obviously not sufficient to explain the sharp decrease of SO<sub>2</sub>. Surface winds, which remained relatively light throughout the day (Figure 11b), cannot completely account for the decrease. The sharp decrease most likely resulted from the scavenging effect of precipitation (2.2 inch of snow) which began falling shortly after 0800 MST. Thus precipitation, in addition to strong winds, is considered highly effective in cleansing the atmosphere of pollutants.

## VI. CONCLUSIONS

The data strongly indicate rapidly increasing SO<sub>2</sub> concentrations in downtown Salt Lake City during morning hours with the transition from south-southeast drainage winds to north-northwest up-valley winds. Pollutants are apparently sufficiently diffused throughout the afternoon so as not to produce another SO<sub>2</sub> maximum with the transition back to the drainage wind in the early evening. Although the summarized data strongly indicate that the shift to north-northwest up-valley winds is responsible for a rapid increase in hourly SO<sub>2</sub> concentration during the morning hours, there are quite a number of individual cases in which SO<sub>2</sub> concentrations increased rapidly downtown with calm or light southeast winds at the Salt Lake City WSFO. A north-northwest wind at the Salt Lake City WSFO is, therefore, not necessary for a rapid increase of hourly SO<sub>2</sub> concentrations.

The detailed study of a high-pollution episode during December 17 - 22, 1965, indicates a marked increase in SO<sub>2</sub> concentrations under a stagnant high-pressure system with rapidly decreasing mixing depths. The overall study has shown winds to be an important factor in the increase of hourly SO<sub>2</sub> concentrations, while the mixing depth is the more important factor in the increase of average daily SO<sub>2</sub> concentrations. More knowledge could be gained by studying individual air-pollution episodes, taking into consideration more parameters, such as mean wind-speed through mixing depth, relative humidity, precipitation, etc. The greatest contribution to further understanding of pollution concentrations would be a detailed study of wind circulation in the lower levels of the atmosphere during stable conditions in the Salt Lake Valley, along with many more measurements of SO<sub>2</sub> at various locations in the valley.

## VII. REFERENCES

1. Williams, P. Jr., "Air Pollution Potential over the Salt Lake Valley of Utah as Related to Stability and Wind Speed". Journal of Applied Meteorology, Volume 3, No. 1, February 1964.
2. Hawkes, H. Bowman, "Mountain and Valley Winds with Reference to the Diurnal Mountain Winds of the Great Salt Lake Region", unpublished PhD Thesis, Ohio State University, 1947.

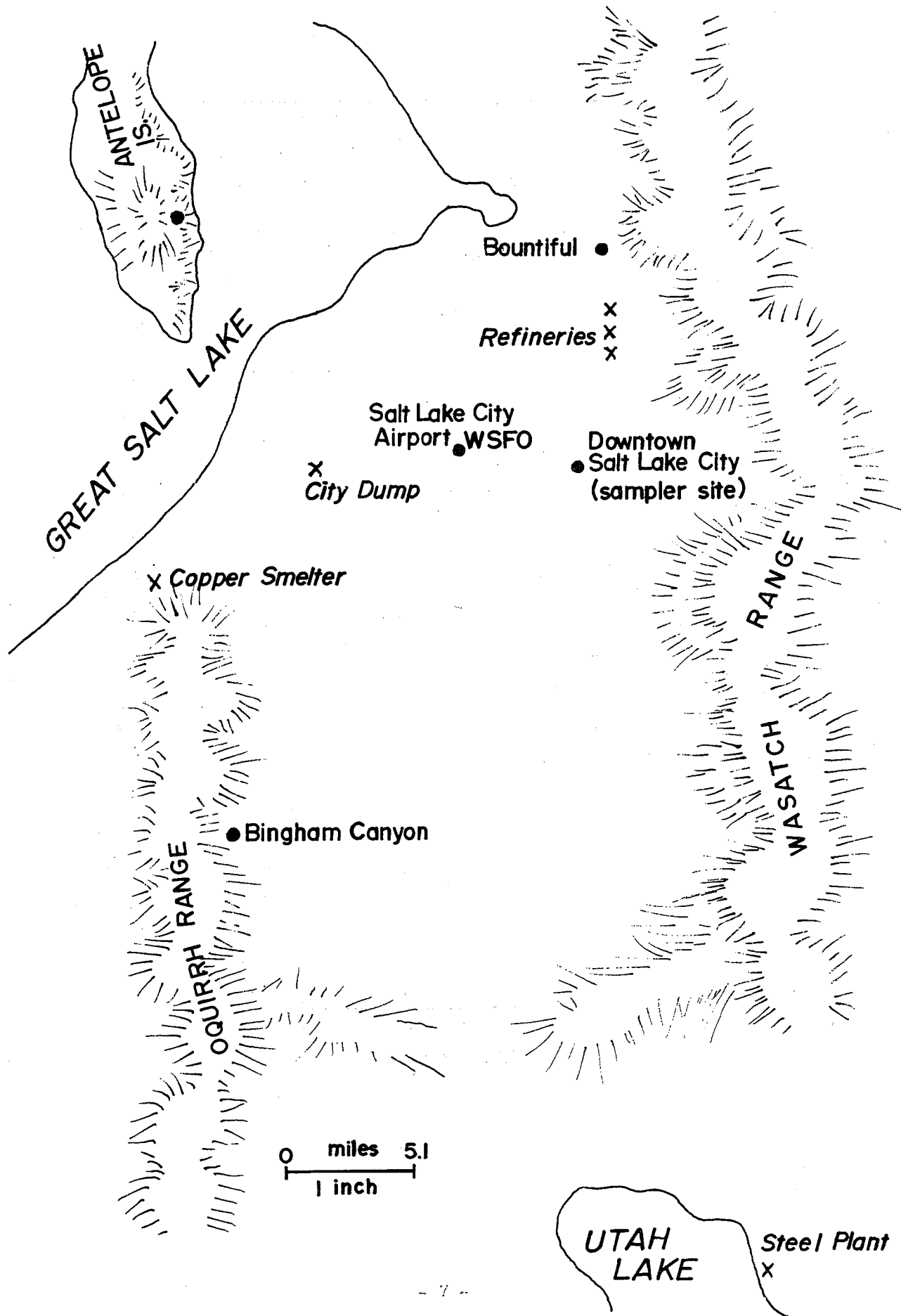


FIGURE 1. Map of Salt Lake City and Vicinity.

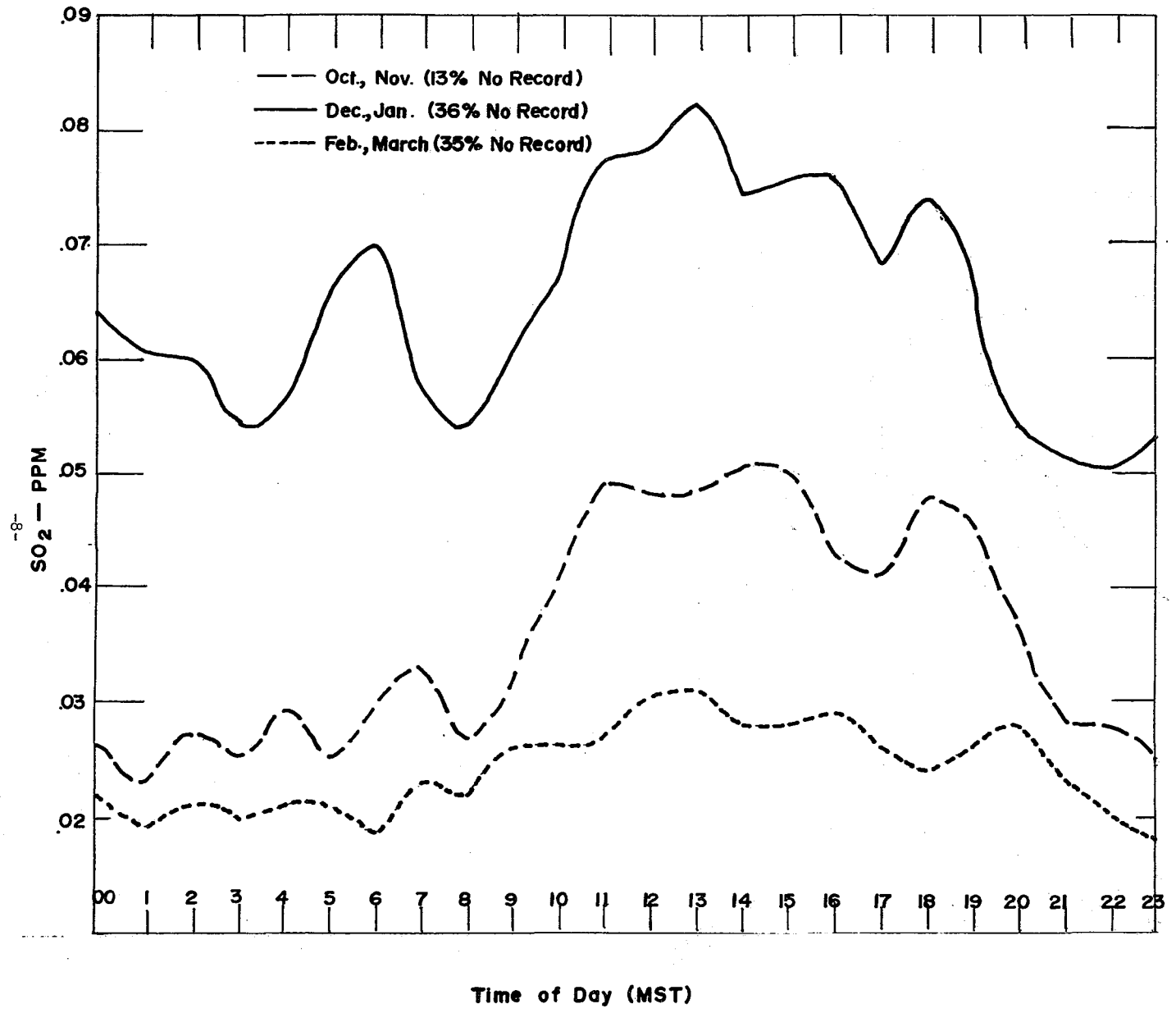


FIGURE 2. Average Hourly SO<sub>2</sub> Concentration at Salt Lake City for Hours with SO<sub>2</sub> ≥ .01 PPM, October-March 1964-1969 except 1966-1967.

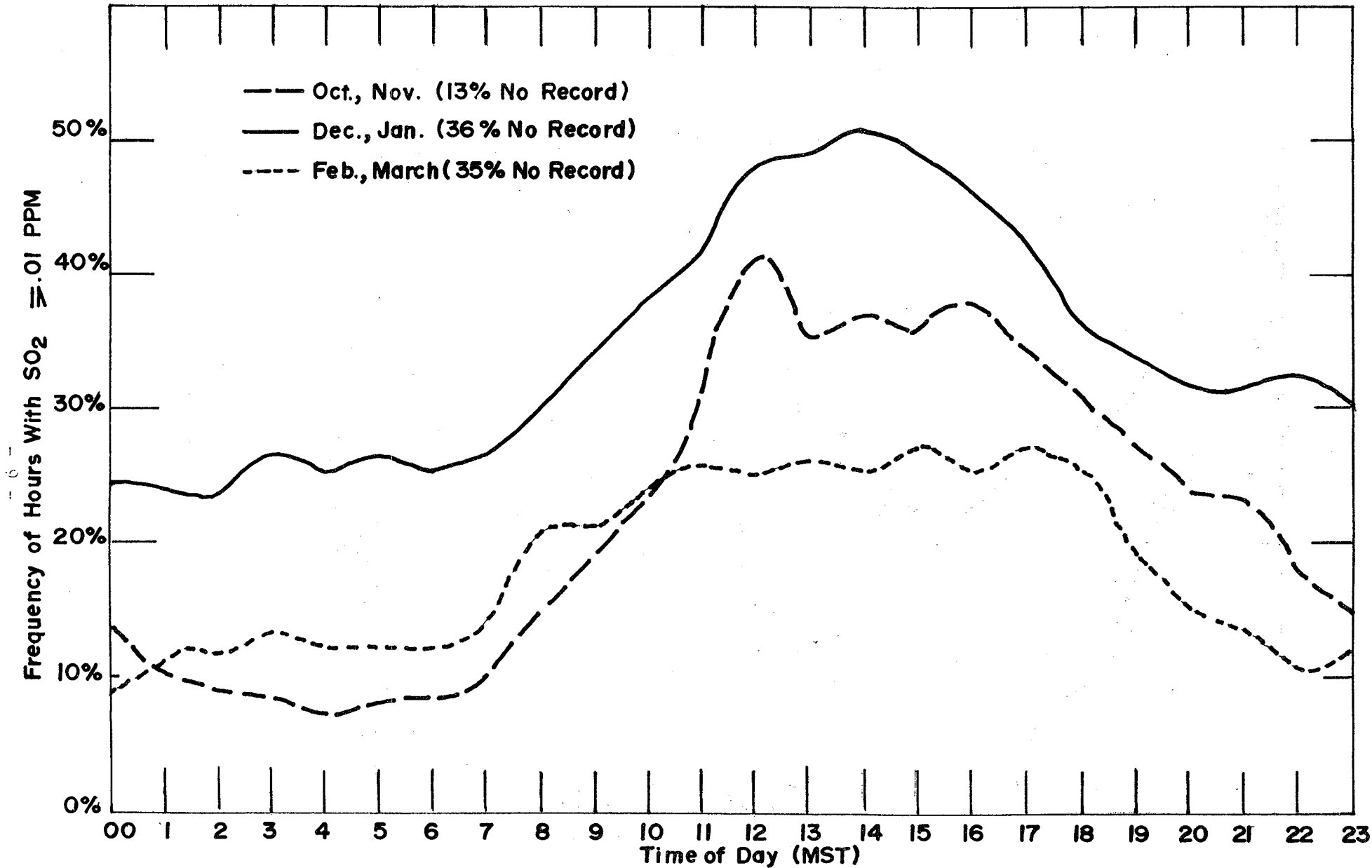


FIGURE 3. Frequency of Hours with  $\text{SO}_2 \geq 0.01$  PPM at Salt Lake City, October-March 1964-1969 except 1966-1967.

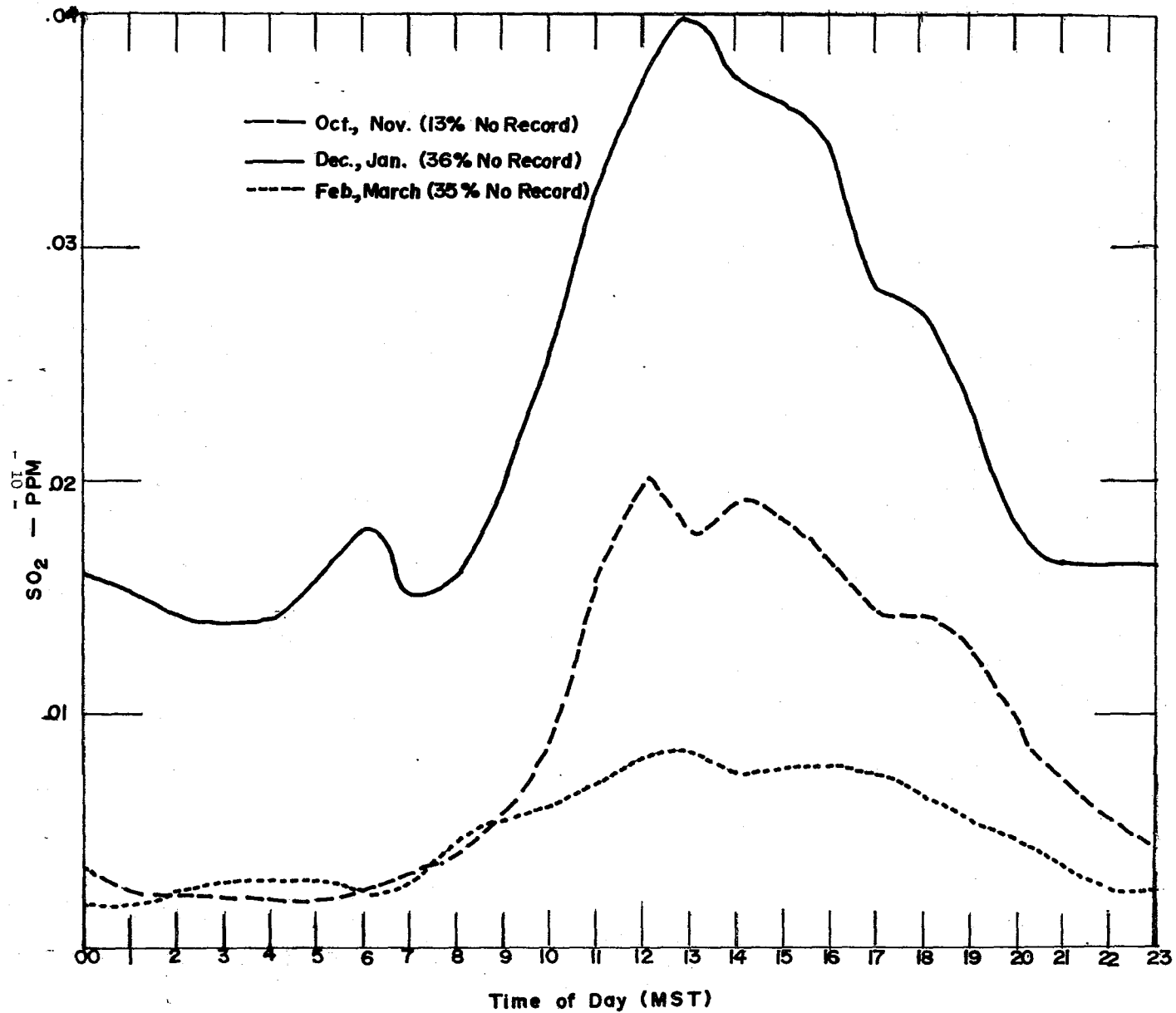


FIGURE 4. Average Hourly SO<sub>2</sub> Concentration at Salt Lake City for All Hours, October-March 1964-1969 except 1966-1967.

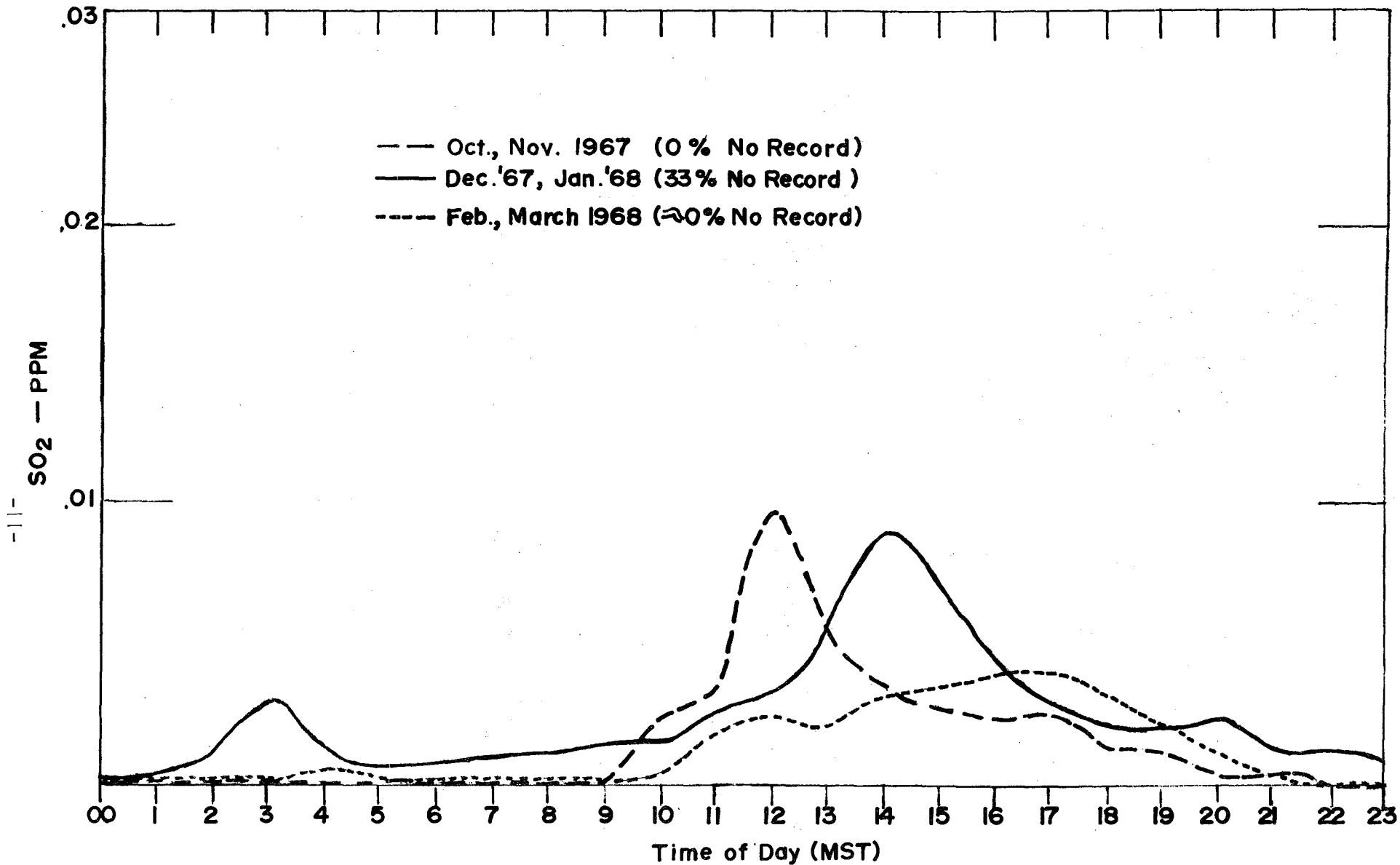
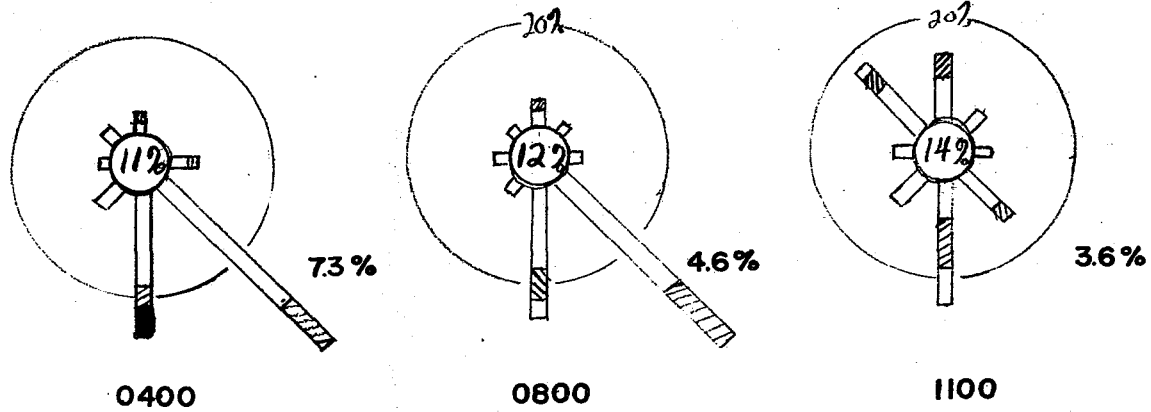


FIGURE 5. Average Hourly SO<sub>2</sub> Concentration at Salt Lake City for All Hours, October 1967 - March 1968.



OCTOBER-NOVEMBER



- 12 -

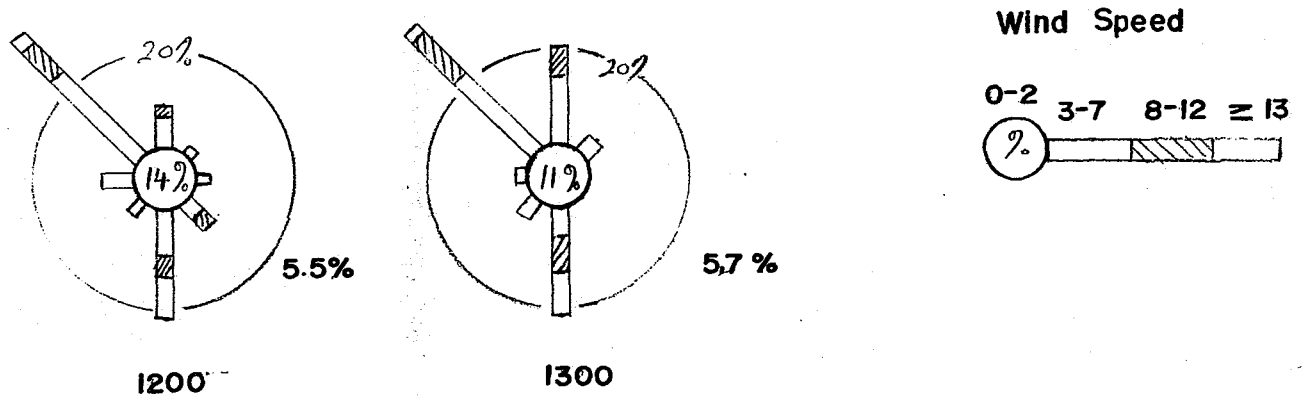


FIGURE 6. October-November (0400-1300 MST) Wind Roses for Salt Lake City 1964-1965, 1967-1969. Directional barbs proportional to wind speed. Percent calms in center of rose. Percentages to lower right of roses refer to winds not shown by directional barbs.

OCTOBER - NOVEMBER

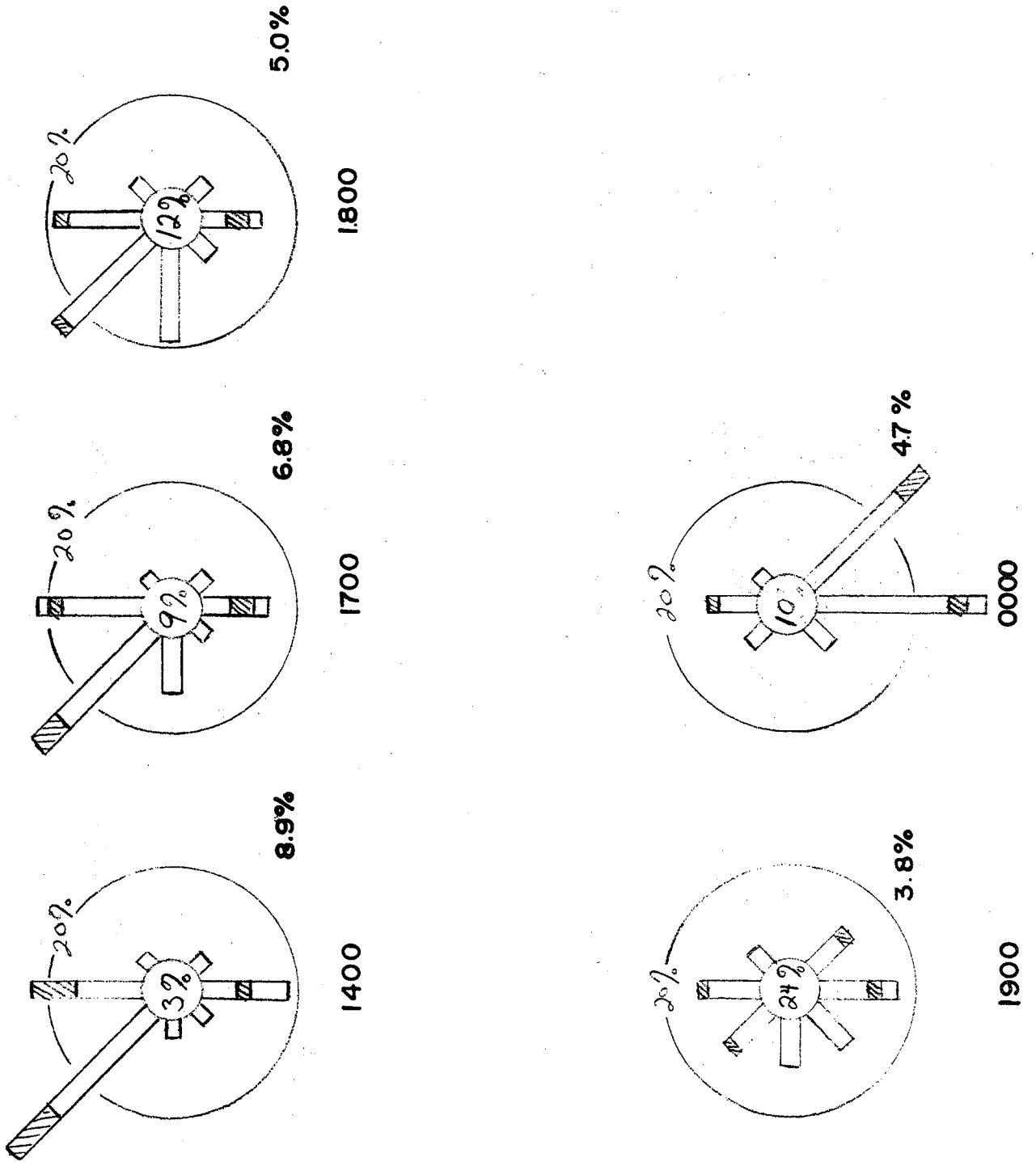
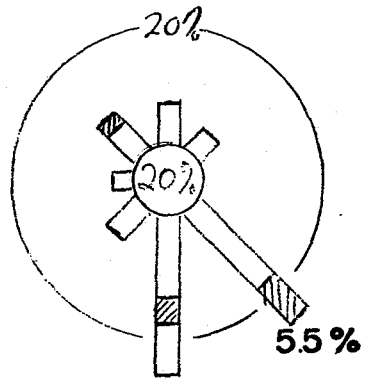
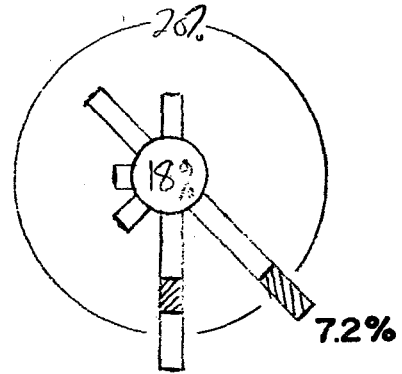


FIGURE 6a. Same as Figure 6, except for 1400 - 0000.

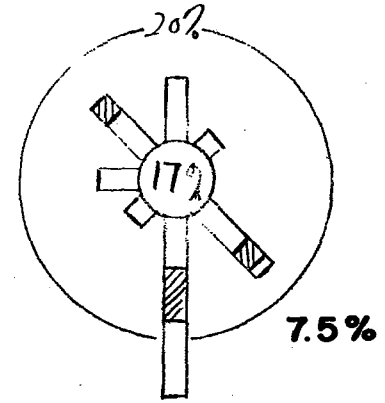
# DECEMBER-JANUARY



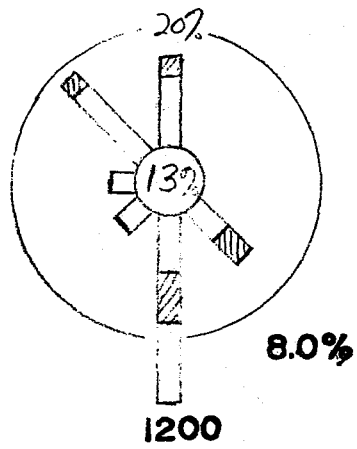
0400



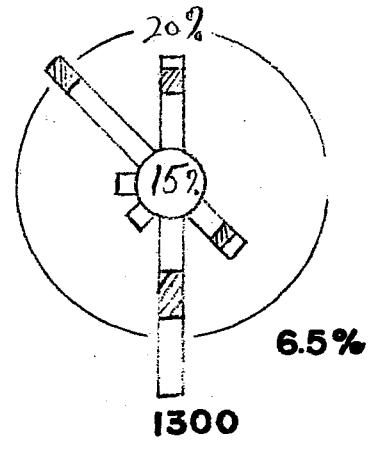
0800



1100



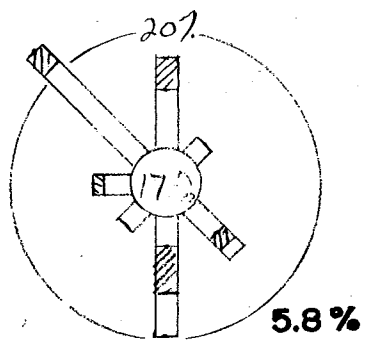
1200



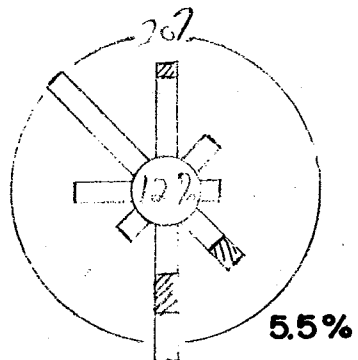
1300

FIGURE 7. Same as Figure 6, except December - January (0400 - 1300).

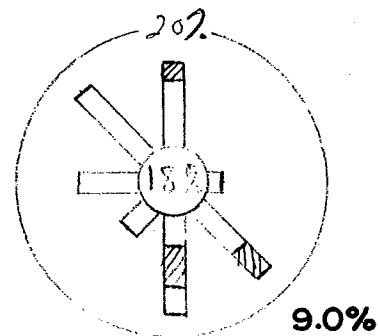
DECEMBER - JANUARY



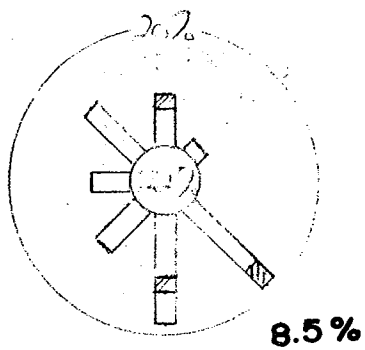
1400



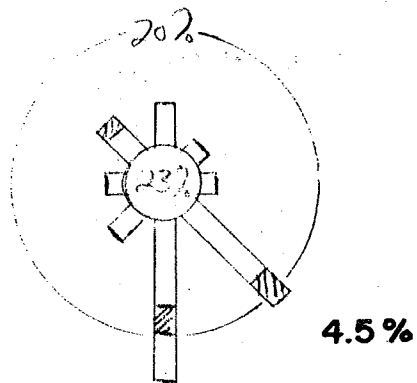
1700



1800

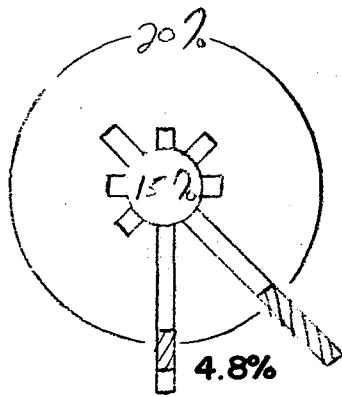


1900

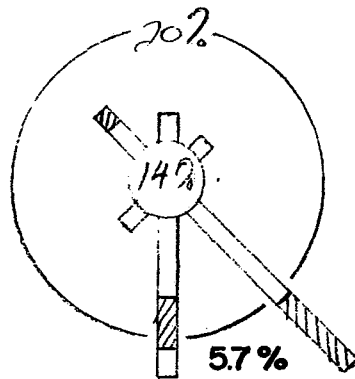


0000

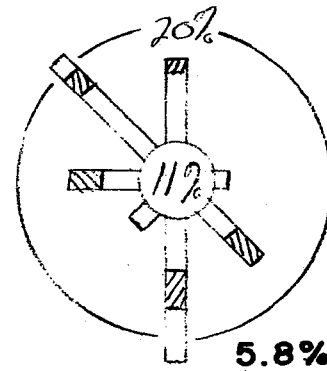
FIGURE 7a. Same as Figure 6, except December - January (1400 - 0000).



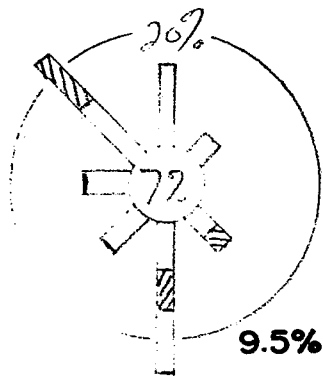
0400



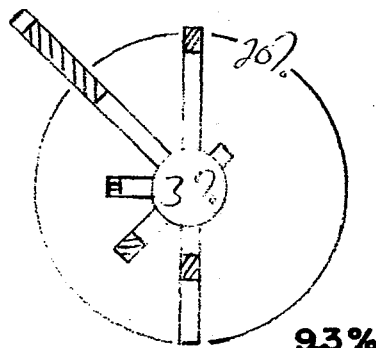
0800



1100



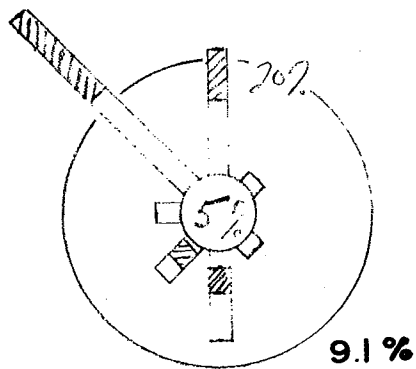
1200



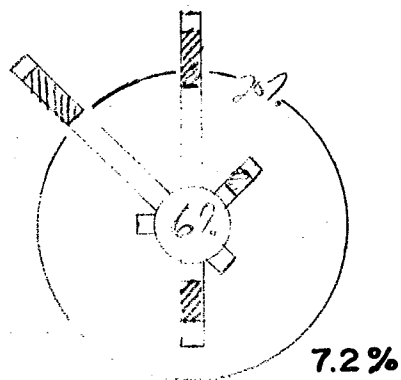
1300

Figure 8. Same as Figure 6, except for February - March (0400 - 1300).

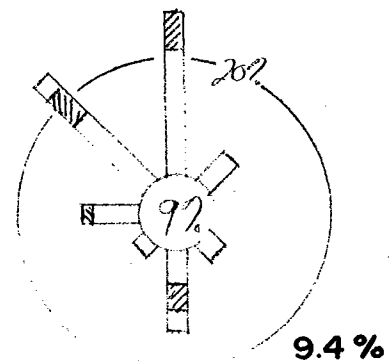
FEBRUARY - MARCH



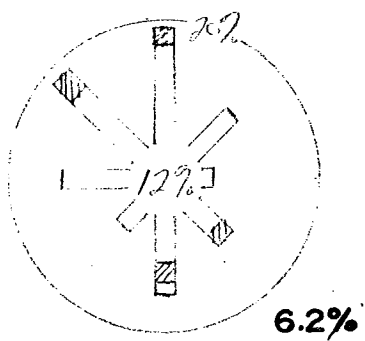
1400



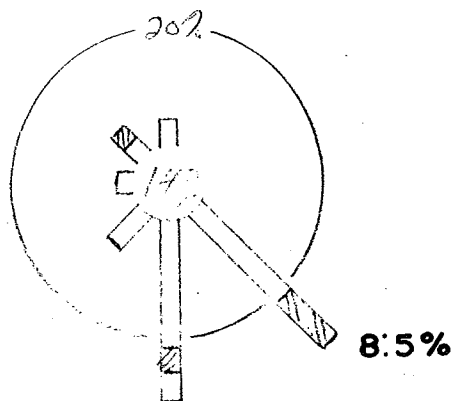
1700



1800



1900



0000

Figure 8a. Same as Figure 6, except for February - March (1400 - 0000).

— 12Z 12/17/65  
 - - - 00Z 12/18/65

12Z Mixing Depth = 1000 m.  
 00Z Mixing Depth = 850 m.  
 Max. Temp. = -1°C

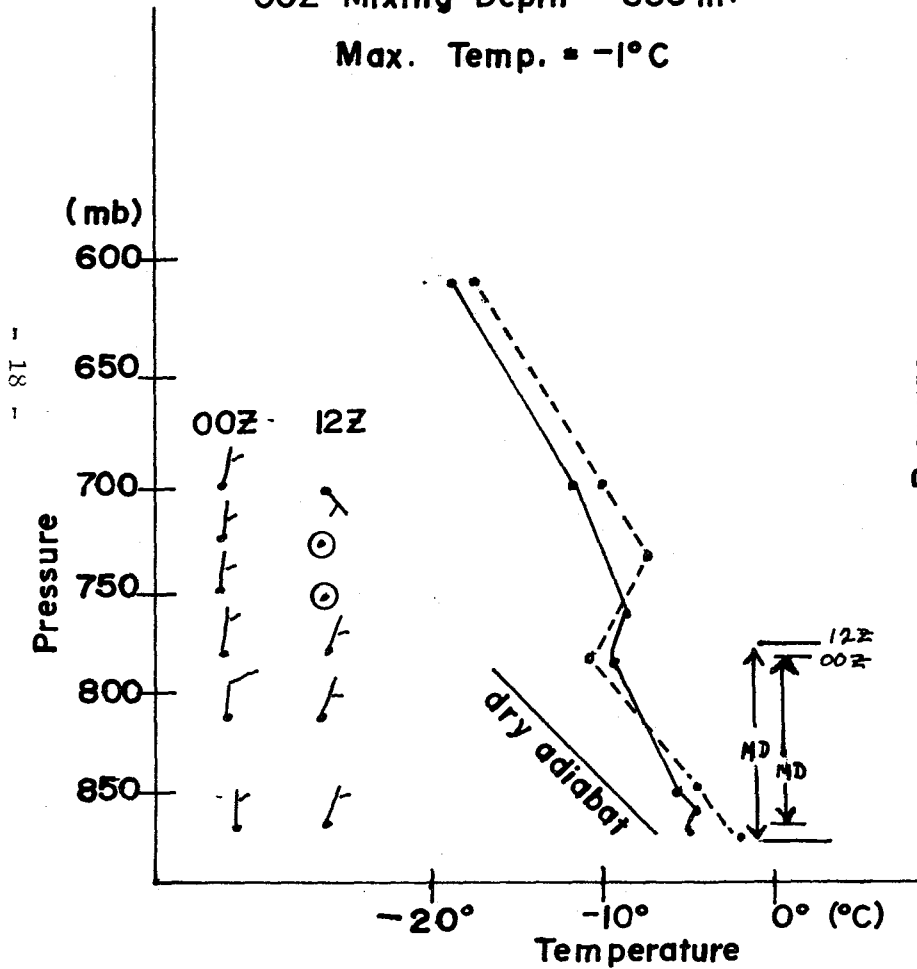


Figure 9a

— 12Z 12/18/65  
 - - - 00Z 12/19/65

12Z Mixing Depth = 950 m.  
 00Z Mixing Depth = 800 m.  
 Max. Temp. = 0°C

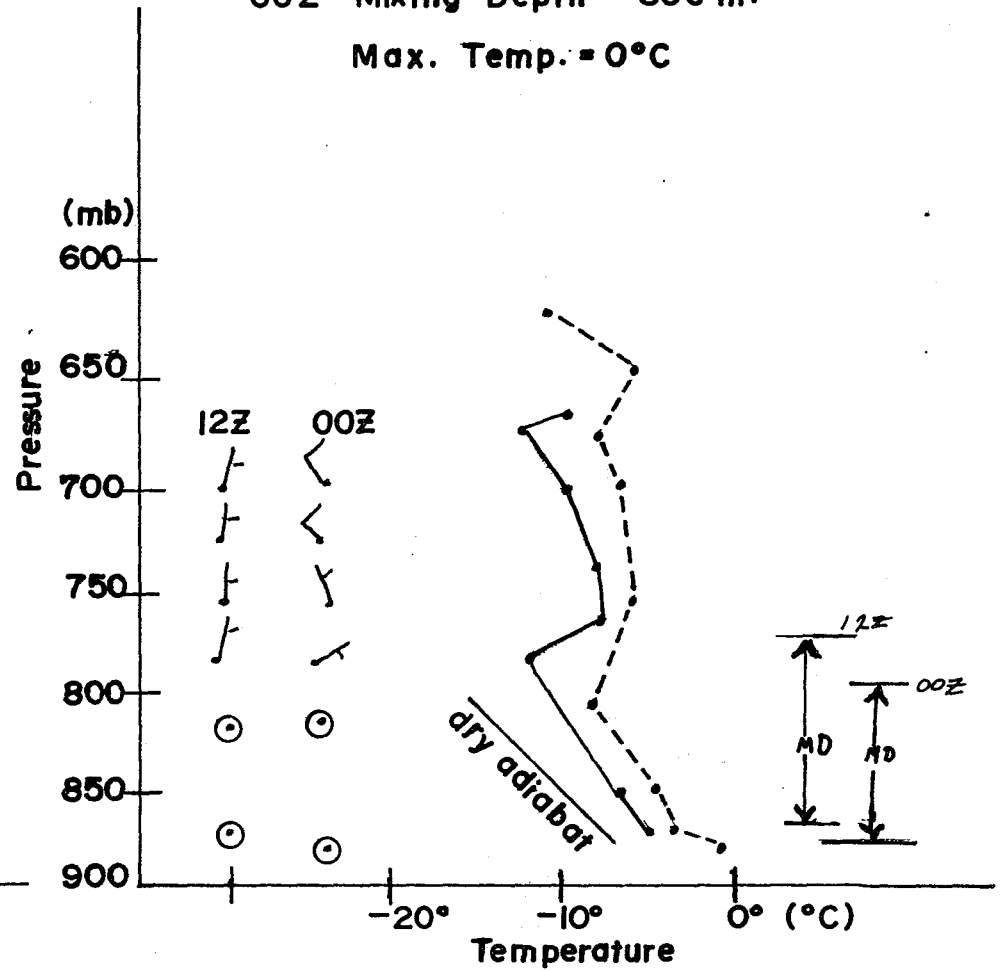


Figure 9b

FIGURE 9. Temperature Soundings, Winds Aloft and Mixing Depths for Salt Lake City, December 17 - 19, 1965.

— 12Z 12/19/65  
 - - - 00Z 12/20/65

12Z Mixing Depth = 750m.  
 00Z Mixing Depth = 600m.

Max. Temp. = 0°C

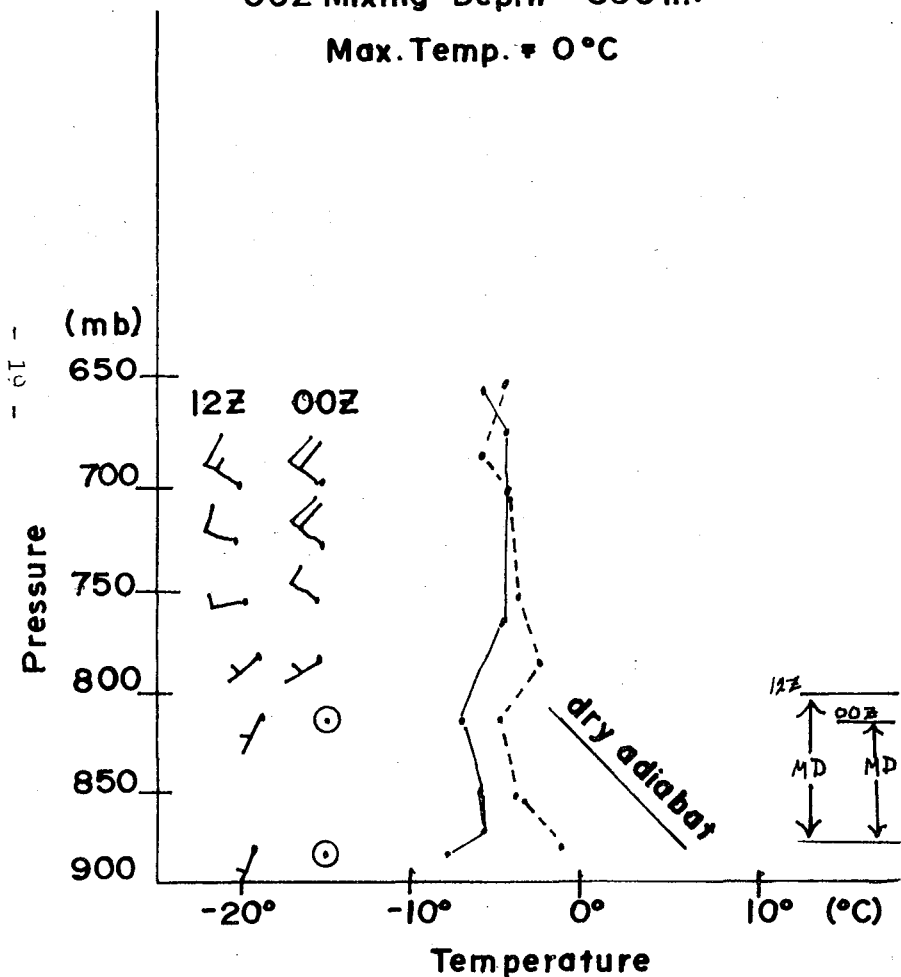


Figure 10a

— 12Z 12/20/65  
 - - - 00Z 12/21/65

12Z Mixing Depth = 300m.  
 00Z Mixing Depth = 300m.

Max. Temp. = -3°C

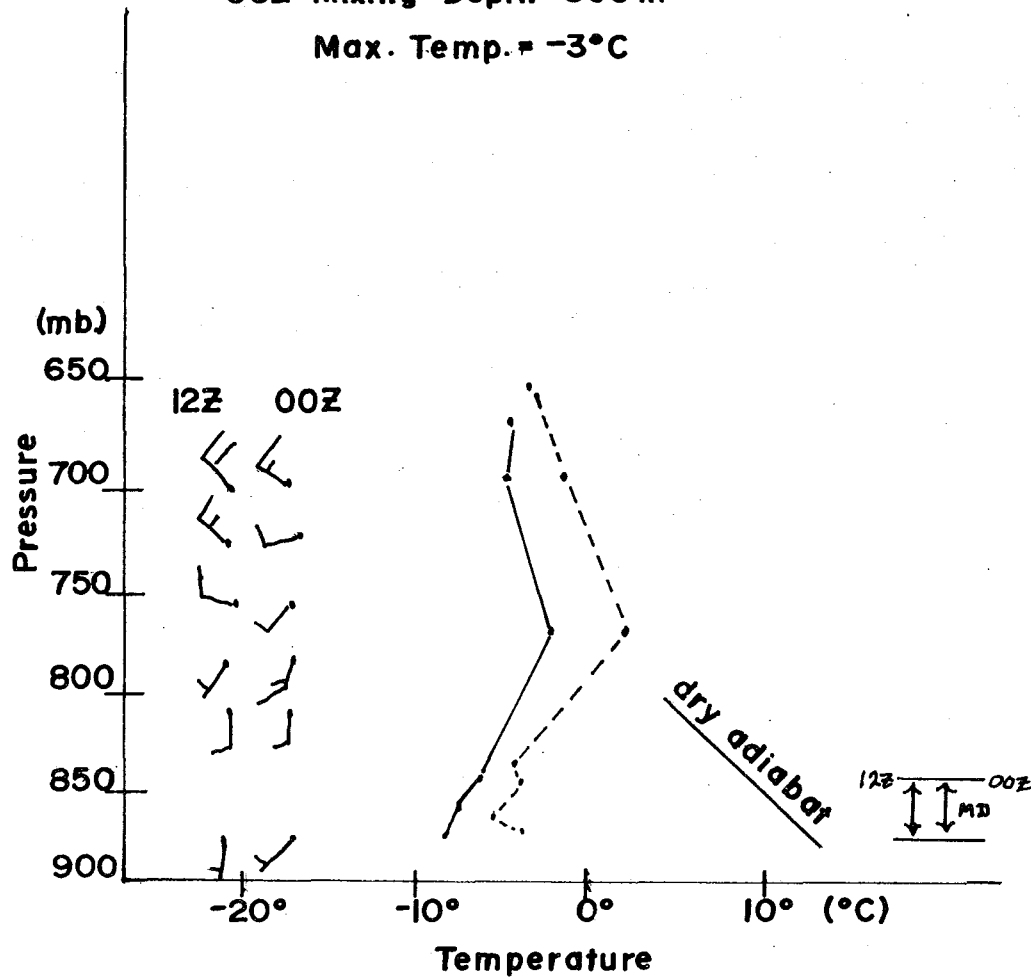


Figure 10b

FIGURE 10. Temperature Soundings, Winds Aloft and Mixing Depths for Salt Lake City, December 19 - 21, 1965.



—— 12Z 12/21/65  
 ---- 00Z 12/22/65

12Z Mixing Depth = 300m.  
 00Z Mixing Depth = 150m.  
 Max. Temp. = -4°C

—— 12Z 12/22/65  
 ---- 00Z 12/23/65

12Z Mixing Depth = 200m.  
 00Z Mixing Depth = 350m.  
 Max. Temp. = -1°C

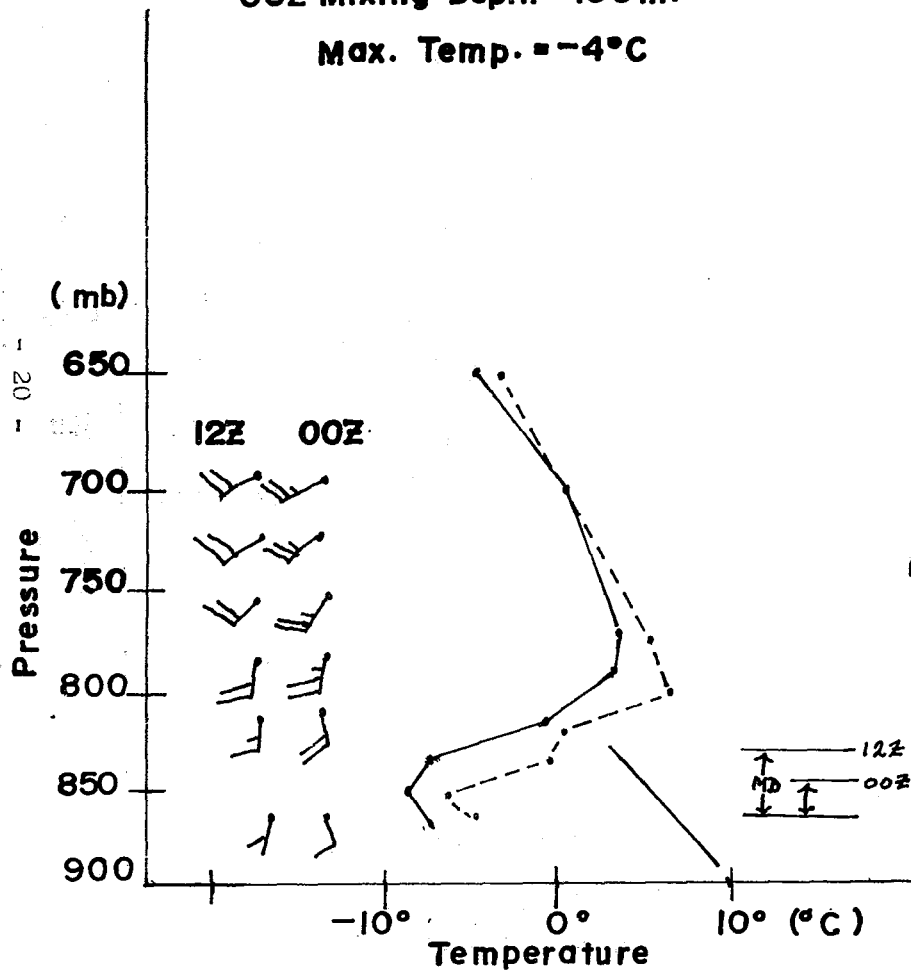


Figure 11a

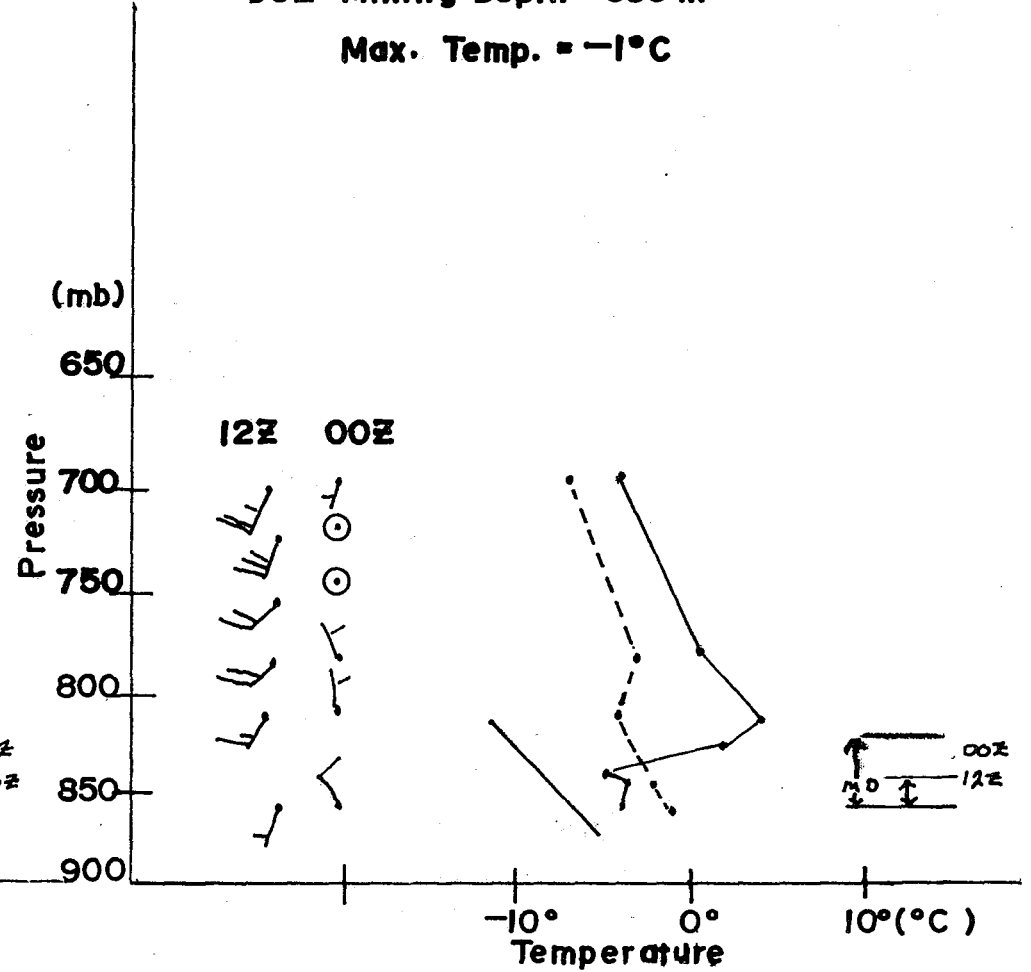


Figure 11b

FIGURE 11. Temperature Soundings, Winds Aloft and Mixing Depths for Salt Lake City, December 21 - 23, 1965.

TABLE 1

HIGH POLLUTION EPISODE, DECEMBER 17 - 22, 1965

<u>Date</u>	<u>Average Mixing Depth (Meters) (0500 &amp; 1700)</u>	<u>Average Hourly SO<sub>2</sub> Concentrations (PPM) X 10<sup>-2</sup></u>	<u>Maximum Temperature (°C)</u>
12/17/65	925	.0075	-1°
12/18	875	.023	0°
12/19	675	.058	0°
12/20	300	.215	-3°
12/21	225	.244	-4°
12/22	275	.036	-1°

Western Region Technical Memoranda: (Continued)

- No. 31\* Precipitation Detection Probabilities by Salt Lake ARTC Radars. Robert K. Belesky. July 1968. (PB-179 084)
- No. 32 Probability Forecasting in the Portland Fire Weather District. Harold S. Ayer. July 1968. (PB-179 289)
- No. 33 Objective Forecasting. Philip Williams, Jr. August 1968. (AD-680 425)
- No. 34 The WSR-57 Radar Program at Missoula, Montana. R. Granger. October 1968. (PB-180 292)
- No. 35\*\* Joint ESSA/FAA ARTC Radar Weather Surveillance Program. Herbert P. Benner and DeVon B. Smith. December 1968. (AD-681 857)
- No. 36\* Temperature Trends in Sacramento--Another Heat Island. Anthony D. Lentini. Feb. 1969. (PB-183 055)
- No. 37 Disposal of Logging Residues Without Damage to Air Quality. Owen P. Cramer. March 1969. (PB-183 057)
- No. 38 Climate of Phoenix, Arizona. R. J. Schmidli, P. C. Kangieser, and R. S. Ingram. April 1969. (PB-184 295)
- No. 39 Upper-Air Lows Over Northwestern United States. A. L. Jacobson. April 1969. (PB-184 296)
- No. 40 The Man-Machine Mix in Applied Weather Forecasting in the 1970s. L. W. Snellman. August 1969. (PB-185 068)
- No. 41 High Resolution Radiosonde Observations. W. W. Johnson. August 1969. (PB-185 673)
- No. 42 Analysis of the Southern California Santa Ana of January 15-17, 1966. Barry B. Aronovitch. August 1969. (PB-185 670)
- No. 43 Forecasting Maximum Temperatures at Helena, Montana. David E. Olsen. October 1969. (PB-185 762)
- No. 44 Estimated Return Periods for Short-Duration Precipitation in Arizona. Paul C. Kangieser. October 1969. (PB-187 763)
- No. 45/1 Precipitation Probabilities in the Western Region Associated with Winter 500-mb Map Types. Richard P. Augulis. December 1969. (PB-188 248)
- No. 45/2 Precipitation Probabilities in the Western Region Associated with Spring 500-mb Map Types. Richard P. Augulis. January 1970. (PB-189 434)
- No. 45/3 Precipitation Probabilities in the Western Region Associated with Summer 500-mb Map Types. Richard P. Augulis. January 1970. (PB-189 414)
- No. 45/4 Precipitation Probabilities in the Western Region Associated with Fall 500-mb Map Types. Richard P. Augulis. January 1970. (PB-189 435)
- No. 46 Applications of the Net Radiometer to Short-Range Fog and Stratus Forecasting at Eugene, Oregon. L. Yee and E. Bates. December 1969. (PB-190 476)
- No. 47 Statistical Analysis as a Flood Routing Tool. Robert J. C. Burnash. December 1969. (PB-188 744)
- No. 48 Tsunami. Richard P. Augulis. February 1970. (PB-190 157)
- No. 49 Predicting Precipitation Type. Robert J. C. Burnash and Floyd E. Hug. March 1970. (PB-190 962)
- No. 50 Statistical Report of Aeroallergens (Pollens and Molds) Fort Huachuca, Arizona 1969. Wayne S. Johnson. April 1970. (PB-191 743)
- No. 51 Western Region Sea State and Surf Forecaster's Manual. Gordon C. Shields and Gerald B. Burdwell. July 1970. (PB-193 102)
- No. 52 Sacramento Weather Radar Climatology. R. G. Pappas and C. M. Veliquette. July 1970. (PB-193 347)
- No. 53 Experimental Air Quality Forecasts in the Sacramento Valley. Norman S. Benes. August 1970. (PB-194 128)
- No. 54 A Refinement of the Vorticity Field to Delineate Areas of Significant Precipitation. Barry B. Aronovitch. August 1970.
- No. 55 Application of the SSARR Model to a Basin Without Discharge Record. Vail Schermerhorn and Donald W. Kuehl. August 1970. (PB-194 394)
- No. 56 Areal Coverage of Precipitation in Northwestern Utah. Philip Williams, Jr. and Werner J. Heck. September 1970. (PB-194 389)
- No. 57 Preliminary Report on Agricultural Field Burning vs. Atmospheric Visibility in the Willamette Valley of Oregon. Earl M. Bates and David O. Chilcote. September 1970. (PB-194 710)
- No. 58 Air Pollution by Jet Aircraft at Seattle-Tacoma Airport. Wallace R. Donaldson. October 1970.
- No. 59 Application of P.E. Model Forecast Parameters to Local-Area Forecasting. Leonard W. Snellman. October 1970.
- NOAA - This is continuation of the ESSA Technical Memorandum Series.
- No. 60 An Aid for Forecasting the Minimum Temperature at Medford, Oregon. Arthur W. Fritz. October 1970.

\* Out of Print

\*\* Revised