

Work smarter, never harder.



UNLEASHING MORE “WOW” HAS NEVER BEEN EASIER.

Capitalizing on the opportunities in today's short-run, fast-turn production climate means being able to handle more jobs—4, 5, and 6 colors; different media sizes, types, and finishing; and personalization—even as the skilled labor pool continues to shrink.

It comes down to having the easiest ways to produce more accurate, beautiful prints, which is where the automation-infused Xerox® Iridesse® Production Press shines. Our unique, precision integration with Fierey® unlocks exclusive process simplification that cuts costly redundancy, time, and waste from each shift—replacing production pains with profits.

IMAGINE ANYONE PRINTING LIKE A PRO—IN SECONDS.

Reduce your reliance on skilled labor with advanced automation.

New, automated press setup routines help anyone quickly optimize jobs for on-page perfection. Xerox® PredictPrint Media Manager Software unlocks one-click press optimization, bypassing the time-consuming, paper-wasting hassle of manual baselining tasks.

IMAGINE ACCELERATING YOUR GROWTH.

Jump-start powerful competitive differentiation and business expansion.

Standing out in a competitive market means going beyond the expected without sacrificing productivity or profitability.

Running up to two Specialty Dry Inks—real metallic Gold and Silver, White, Clear, and Fluorescent Pink—inline with CMYK, Iridesse® helps you do just that.

Now you can pack even more punch with Pink using on-press gamut extension, which automatically enhances the press' already stunning quality and matches more brand colors in just seconds.

IMAGINE GETTING BETTER ROI, AUTOMATICALLY.

Instantly integrate with our new predictive press analytics solutions.

Access essential press data and insights across a range of KPIs to better manage costs, fine-tune performance, and maximize ROI across your fleet.

Unlock even more brilliant opportunities with ease.

With its robust production capabilities and precision automation, Iridesse® makes fast, profitable work of jobs with tight deadlines, non-traditional stock sizes and weights, and embellishments so you can take on more new opportunities and grow with confidence.

DRIVE MORE PRESS PERFORMANCE

The Xerox® EX-P 6 v4.0 Print Server Powered by Fiery® combines our decades of print and color management expertise to streamline the management and submission of every job.

1 EXPAND YOUR MEDIA RANGE*

Multi-Sheet Inserter (MSI) holds up to 250 sheets; feeds specialty, heavyweight, and Extra-Long Sheets (XLS) up to 13 x 26" (330 x 660 mm).

2 HIGH CAPACITY FEEDERS*

Choose the Dual Advanced High Capacity Feeder for paper capacity up to 8,000 sheets with four additional trays in two feeder stations.

Or extend your XLS capabilities with the Xerox® High Capacity XLS Vacuum Feeder—available in single or dual configurations. Print up to 700 sheets as long as 34" (864 mm) or 100 sheets up to 47.2" (1.2 m) with precision at rated speeds.

3 STANDARD FEEDERS

Provide a total capacity of 4,000 sheets from two internal feeder trays that are integrated into the press' base design to provide a small footprint.

4 CMYK TONER STATIONS

Keep production moving with load-while-run capability. High Definition Emulsion Aggregate (HD EA) Toner produce high-quality output with less toner and no fuser oil.

5 XEROX® COLOR FLX TECHNOLOGY*

Put specialty effects at your fingertips, creating high-impact prints in a single pass, at rated speed with spot-on registration.

Choose to add one or two print stations and run HD EA Gold, Silver, White, or Fluorescent Pink underlays together with HD EA Gold, Silver, White, Fluorescent Pink, Clear, or Low Gloss Clear** overlays.

6 FAST INK CHANGES

Enable fast, efficient Specialty Dry Ink changeovers so you can vary and execute more high-value print embellishments more easily—with no maintenance or cleanup.

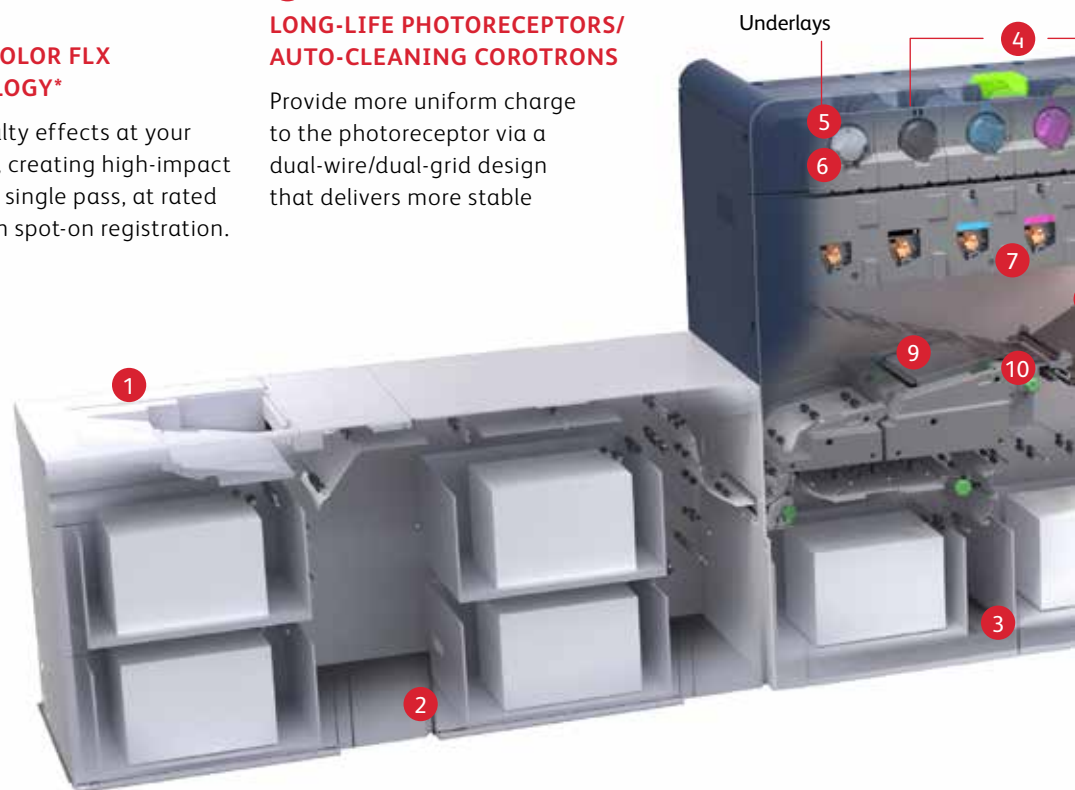
7 LONG-LIFE PHOTORECEPTORS/AUTO-CLEANING COROTRONS

Provide more uniform charge to the photoreceptor via a dual-wire/dual-grid design that delivers more stable

print quality within a page and from page to page. Self-cleaning technology optimizes press availability while maintaining high-quality print standards.

8 CLOSED-LOOP PROCESS CONTROLS

Enable continuous closed-loop monitoring of color patches and registration targets on the Intermediate Belt Transfer. Quality adjustments are made immediately and automatically.



*Optional component(s)

**Clear and Low Gloss Clear cannot be run in the same job in a single pass

9

PAPER ALIGNMENT

Ensures precise +/-0.5 mm front-to-back registration at rated speed with advanced center registration technology that automatically adjusts for paper size and weight.

10

INTERMEDIATE BELT TRANSFER

Seamless belt supports even greater speed and reliability across a wide range of media and applications.

11

BELT ROLL FUSER

Rapidly transfers energy more efficiently using a silicon-coated Teflon belt that fuses a wide range of stocks up to 145 lb Cover (400 gsm) at rated speed.

12

COOLING MODULE

Cools prints for optimum finishing and stacking.

13

AUTO SHEET CLEARING

Provides simple, efficient, and virtually hands-free jam recovery.

14

FULL WIDTH ARRAY

A powerful Xerox-exclusive technology ensures quick, accurate color reproduction and boosts your productivity by automating calibration, profiling, alignment, transfer, and density uniformity tasks using an inline scanner with RGB sensors.

15

DECURLING UNIT

Delivers flat sheets optimized by media type using belt and roller technology for productive inline and offline finishing.

16

XEROX® PREDICTPRINT MEDIA MANAGER SOFTWARE*

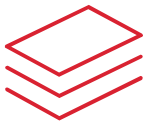
Scan, load, and go to accelerate accurate stock definition. Simply scan a media's barcode, place the media in a tray, and use our simple Wizard-driven process to quickly baseline the press—including calibration and profiling. PredictPrint then links any needed optimizations right to each stock.

17

INTERFACE MODULE*

Provides a gateway to a wide variety of finishing alternatives.

Enable ultimate end-to-end productivity with inline finishing and deliver faster:



STACKING



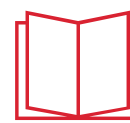
INSERTING



TRIMMING



BINDING

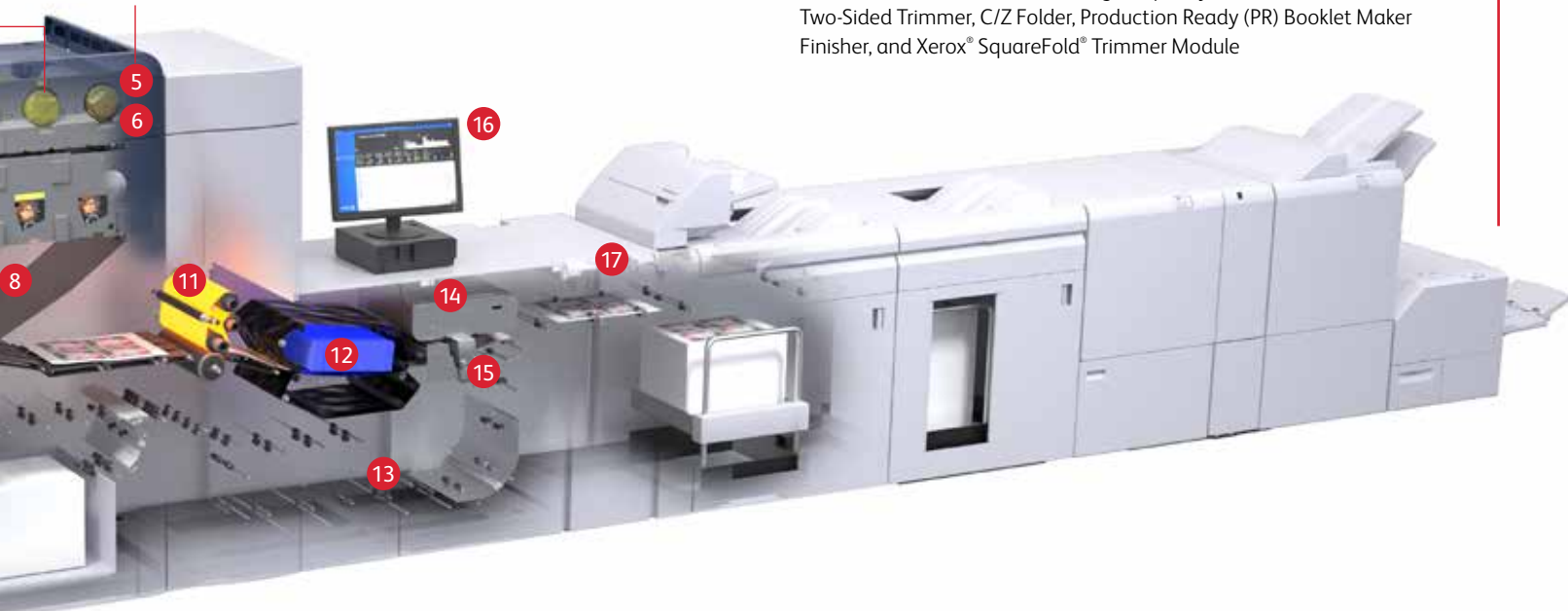


BOOKLET MAKING



FOLDING

Overlays



Shown: Xerox® Inserter, Xerox® High Capacity Stacker, Xerox® Crease Two-Sided Trimmer, C/Z Folder, Production Ready (PR) Booklet Maker Finisher, and Xerox® SquareFold® Trimmer Module

ULTRA HIGH DEFINITION

Delivers 1200 x 1200 dpi x 10-bit RIP rendering and 2400 x 2400 dpi x 1-bit imaging at the engine, yielding offset-like halftone images, smooth tints, and gradients, as well as fine text and line detail.

ENERGY STAR® CERTIFIED

Iridesse® is an energy-efficient product in accordance with Environmental Protection Agency (EPA) standards, which helps your operation—and your clients—advance essential sustainability goals.



Specifications for the Xerox® Iridesse® Production Press

DUTY CYCLE AND AMIV

- Duty Cycle: Up to 2.25 million impressions
- AMIV: 225,000–475,000 impressions

PRODUCTIVITY/PRINT SPEEDS

- 120 ppm (8.5 x 11"/A4 letter), all weights
- 7,200 A4 (letter) impressions per hour
- 60 ppm (11 x 17"/A3–12 x 18"/SRA3 tabloid), all weights
- 3,600 (11 x 17"/A3–12 x 18"/SRA3 tabloid) impressions per hour

COLOR SERVER

- Xerox® EX-P 6 v4.0 Print Server Powered by Fiery®
- Integrated IPDS Functionality
 - Licensed software option on Xerox® EX-P 6 Print Server
 - IS/3 compliant for four-color process printing

IMAGE QUALITY

- Ultra High Definition (UHD) (RIP 1200 x 1200 dpi x 10-bit, plus print 2400 x 2400 dpi x 1-bit)
- Halftone Screens:
 - 150, 175, 200, 300, and 600 Clustered Dot
 - 150 and 200 Rotated
 - Stochastic
- High Definition Emulsion Aggregate (HD EA) Toners: Cyan, Magenta, Yellow, and Black
- Xerox® PredictPrint Media Manager Software

XEROX® COLOR FLX TECHNOLOGY

- Up to six inline print stations that print in a single pass, at rated speed, with spot-on color-to-color registration
- HD EA Specialty Dry Inks: Gold, Silver, White, Fluorescent Pink (with automated on-press gamut extension). Clear for enhancements, and Media Expansion Low Gloss Clear

IMAGE FORMAT

- Advanced center registration technology for tight front-to-back registration of +/- 0.5 mm
- Maximum Print Area: 12.83 x 19.05" (326 x 484 mm)

PAPER WEIGHTS/SIZES

- Paper Weights: 35 lb Text to 145 lb Cover (52-400 gsm); tray capacities are based on 24 lb (90 gsm)

- Maximum Sheet Size: 13 x 19.2" (330 x 488 mm)
- Minimum Sheet Size with Advanced High Capacity Feeder: 7.2 x 7.2" (182 x 182 mm); tray inserter kit supports for 4 x 6" (102 x 152 mm) sheets
- Minimum Sheet Size with Optional High Capacity XLS Vacuum Feeder: 3.9 x 5.8" (98 x 148 mm)
- Optional Extra-Long Sheet (XLS):
 - Maximum Length (simplex): 47.2" (1.2 m)
 - Maximum Length (duplex): 28.7" (729 mm)
 - Weight: 35 lb Text to 145 lb Cover (52-400 gsm)

PAPER FLEXIBILITY

- Coated, uncoated, text, cover, and a variety of specialty media
- Mixed-media jobs supported by the Xerox® Mixed Media Acceleration Feature for optimized productivity

FEEDING

- Standard Internal Paper Trays: Two at 2,000 sheets each; tray capacity is based on 24 lb (90 gsm)
- Auto-Tray Switching/Reload-While-Run
- Auto-Perfecting (4/4 impressions) from internal trays up to 400 gsm at rated speed
- Optional Advanced High Capacity Feeder (with up to two stations for Dual Advanced High Capacity Feeders):
 - Two Paper Trays at 2,000 sheets each; tray capacity is based on 24 lb (90 gsm)
 - Auto-Tray Switching/Reload-While-Run
 - Auto-Perfecting (4/4 impressions) from external trays up to 145 lb Cover (400 gsm at rated speed)
- Optional Advanced High Capacity XLS Vacuum Feeder (Single or Dual):
 - Max 6,300 sheets up to 19.2" (488 mm) with Dual configuration
 - Max 700 XLS sheets up to 34" (864 mm)
 - Max 100 sheets up to 47.2" (1.2 m)
 - Auto-Tray Switching/Reload-While-Run
- Optional Multi-Sheet Inserter (MSI) Tray
 - One tray up to 250 sheets
- XLS options (for use with Advanced High Capacity Feeders only)
 - Banner Feeder Extension Kit
 - XLS Automatic Feeding Kit for up to 250 sheets

STACKING OPTIONS

- Offset Catch Tray with up to 500-sheet capacity
- High Capacity Stacker:
 - 500-sheet top tray up to 13 x 47.2" (330 mm x 1.2 m)
 - 5,000-sheet offset stacking; 7.2 x 8.3" up to 13 x 19.2" (B5 LEF up to SRA3)
 - 35 lb Text to 145 lb Cover (52-400 gsm) coated/uncoated
 - Available in Single or Dual combinations with unload-while-run capability
 - Includes one removable cart for offline finishing; additional carts available
- Plockmatic MPS XL
 - Accelerates end-to-end XLS productivity when paired with the Advanced High Capacity XLS Vacuum Feeder
 - Reliable stacking for 8.3 x 8.3" (210 mm x 210 mm) up to 13 x 47.2" (330 mm x 1.2 m), 145 lb Cover (400 gsm)
 - Requires Interface Module and Production Ready Finisher Plus

FINISHING OPTIONS

See the **Product Explorer Tool** for a full list of all available Xerox and third-party finishing solutions for standard and XLS sheets:

explorexeroxproducts.com

ELECTRICAL

- Printer Base Configuration: 200–240 VAC, 50/60 Hz, EMEA > 50A (sole use)/single phase/Type IEC 60309 NAO > 60A (sole use)/single phase/Hubbell HBL360C6W
- Additional electrical required for print server and feeding/finishing devices:
 - 115 VAC 15 Amp for 60 Hz or 220 VAC 10 Amp for 50 Hz (Western Hemisphere)
 - 200–240 Volts, 10 Amp, 50 Hz (Europe)

SIZE

- Base Printing System (without RIP and/or feeding/finishing devices; W x D x H):
 - 118.5" x 43" x 74" (3,009 mm x 1,092 mm x 1,865 mm)
 - Weight: 3,027 lb (1,373 kg)

Learn more about brilliant new opportunities for print at xerox.com/Iridesse